

[54] SHALE CUTTINGS CONTAINER

[76] Inventor: Gary H. Dietzen, #10 Pebblestone Dr., Lafayette, La. 70508

[**] Term: 14 Years

[21] Appl. No.: 714,933

[22] Filed: Mar. 22, 1985

[52] U.S. Cl. D34/39; D34/28; D23/202

[58] Field of Search D34/28, 39; 220/1 B, 220/1 R, 2; D23/2

[56] References Cited

U.S. PATENT DOCUMENTS

4,648,521 3/1987 Thomas et al. 220/1 B

FOREIGN PATENT DOCUMENTS

159025 4/1954 Australia 220/1 B
699550 12/1964 Canada 220/1 B
751736 7/1956 United Kingdom 220/1 R

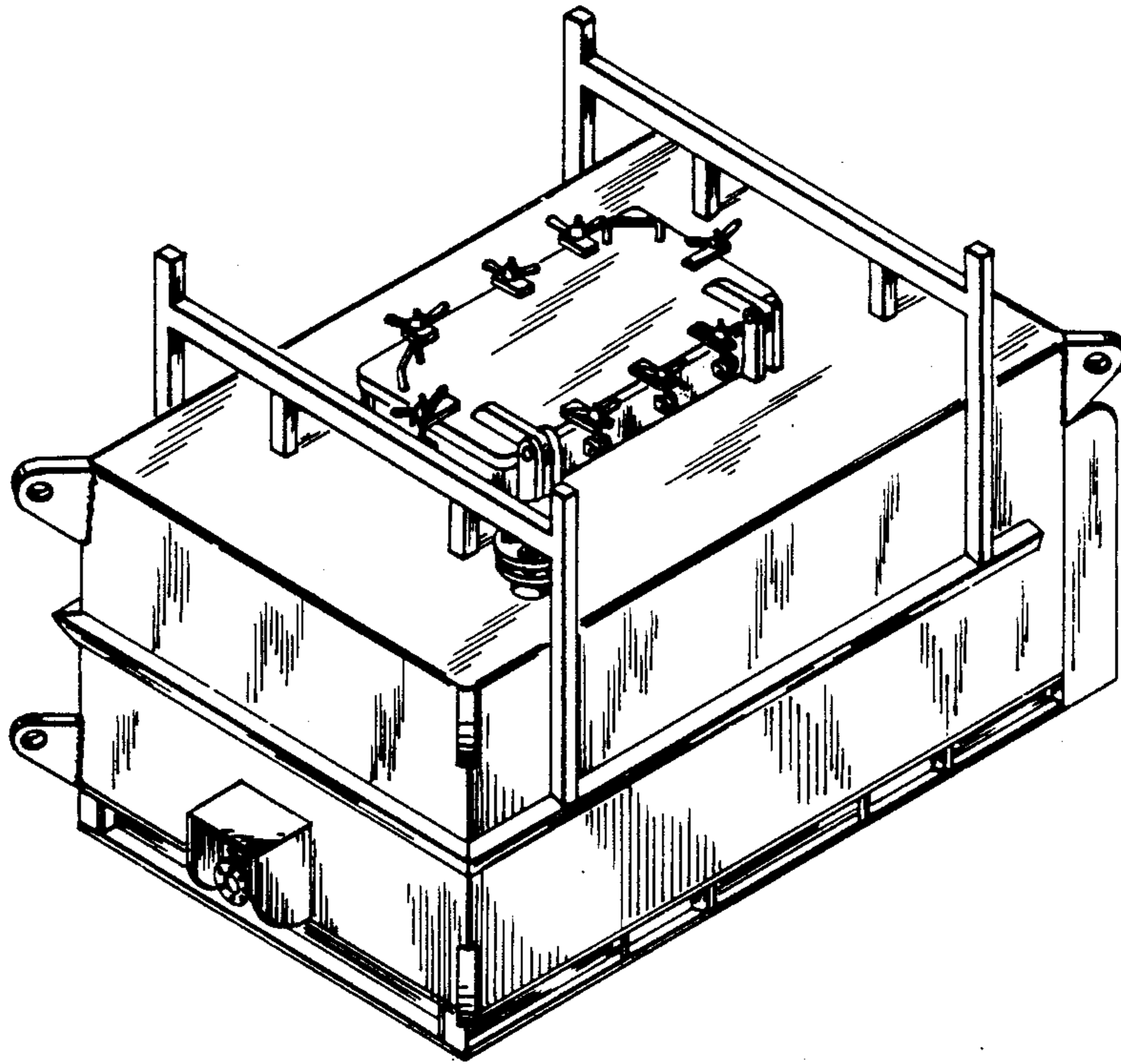
Primary Examiner—James M. Gandy
Assistant Examiner—Kay H. Chin
Attorney, Agent, or Firm—Pravel, Gambrell, Hewitt, Kimball & Krieger

[57] CLAIM

The ornamental design for a shale cuttings container, as shown and described.

DESCRIPTION

FIG. 1 is a top perspective view of a shale cuttings container showing my new design;
FIG. 2 is a side elevational view thereof, the opposite side elevational view being a mirror image of that shown;
FIG. 3 is a rear elevational view thereof; and
FIG. 4 is a front elevation view thereof.



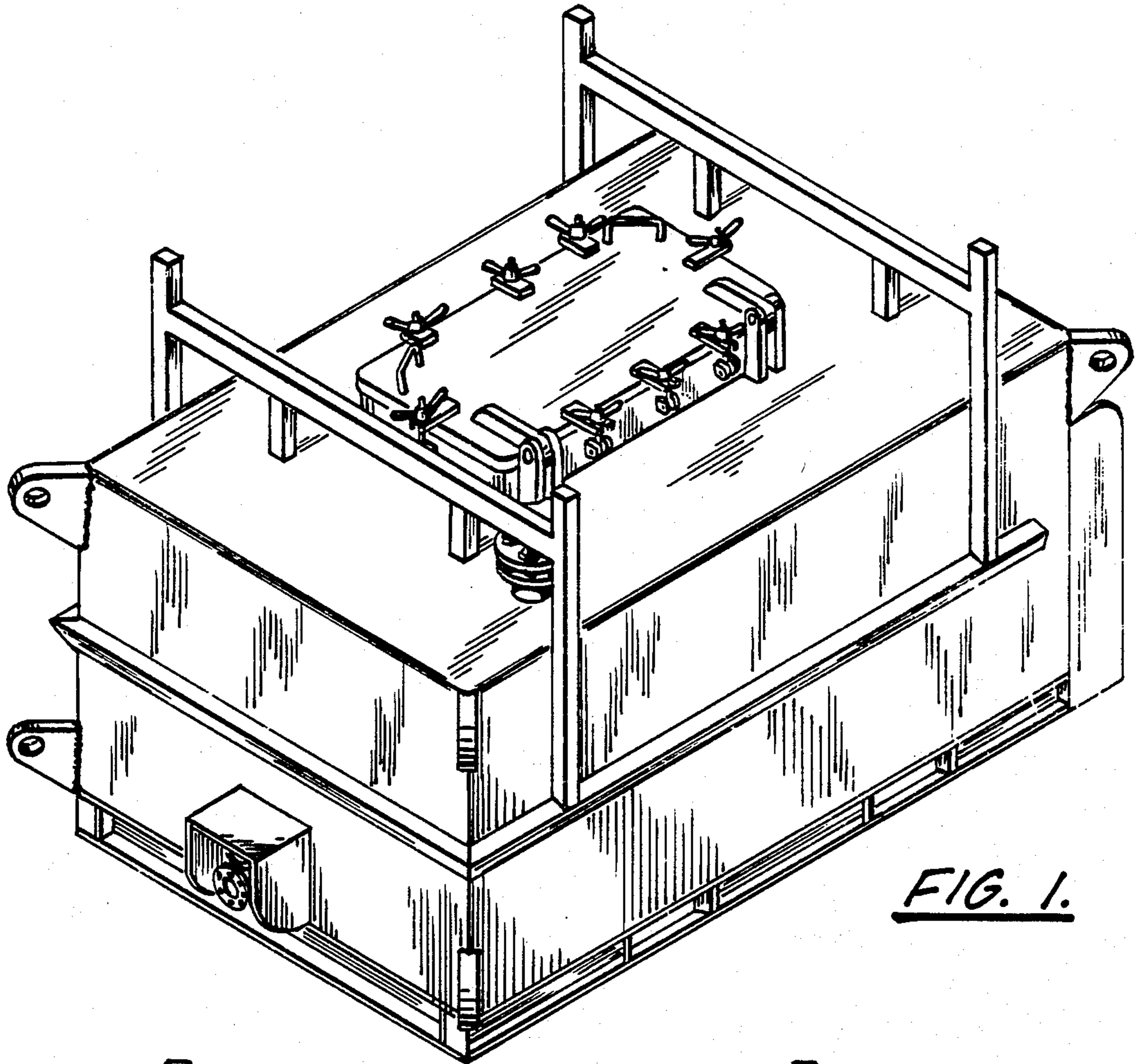


FIG. 1.

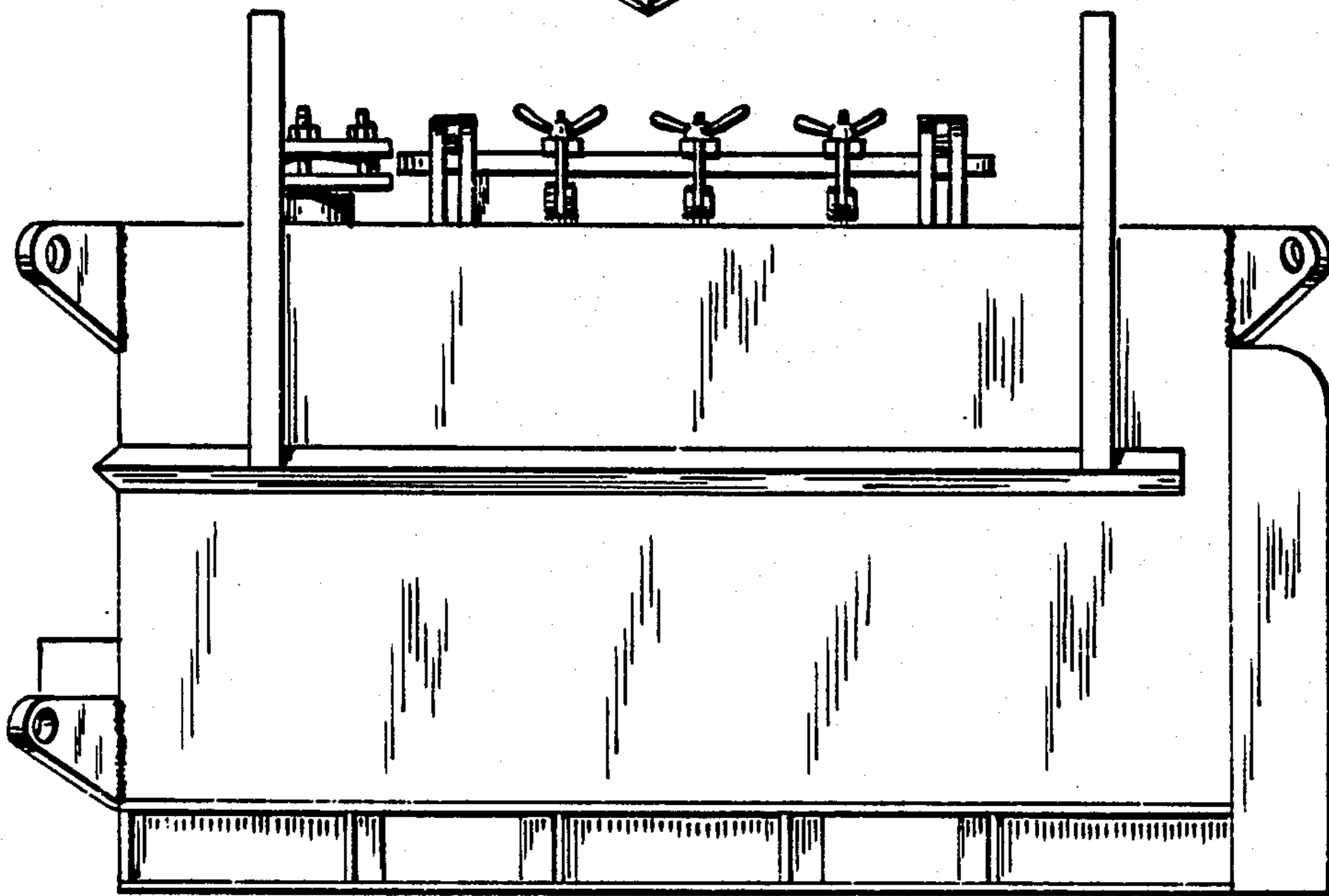


FIG. 2.

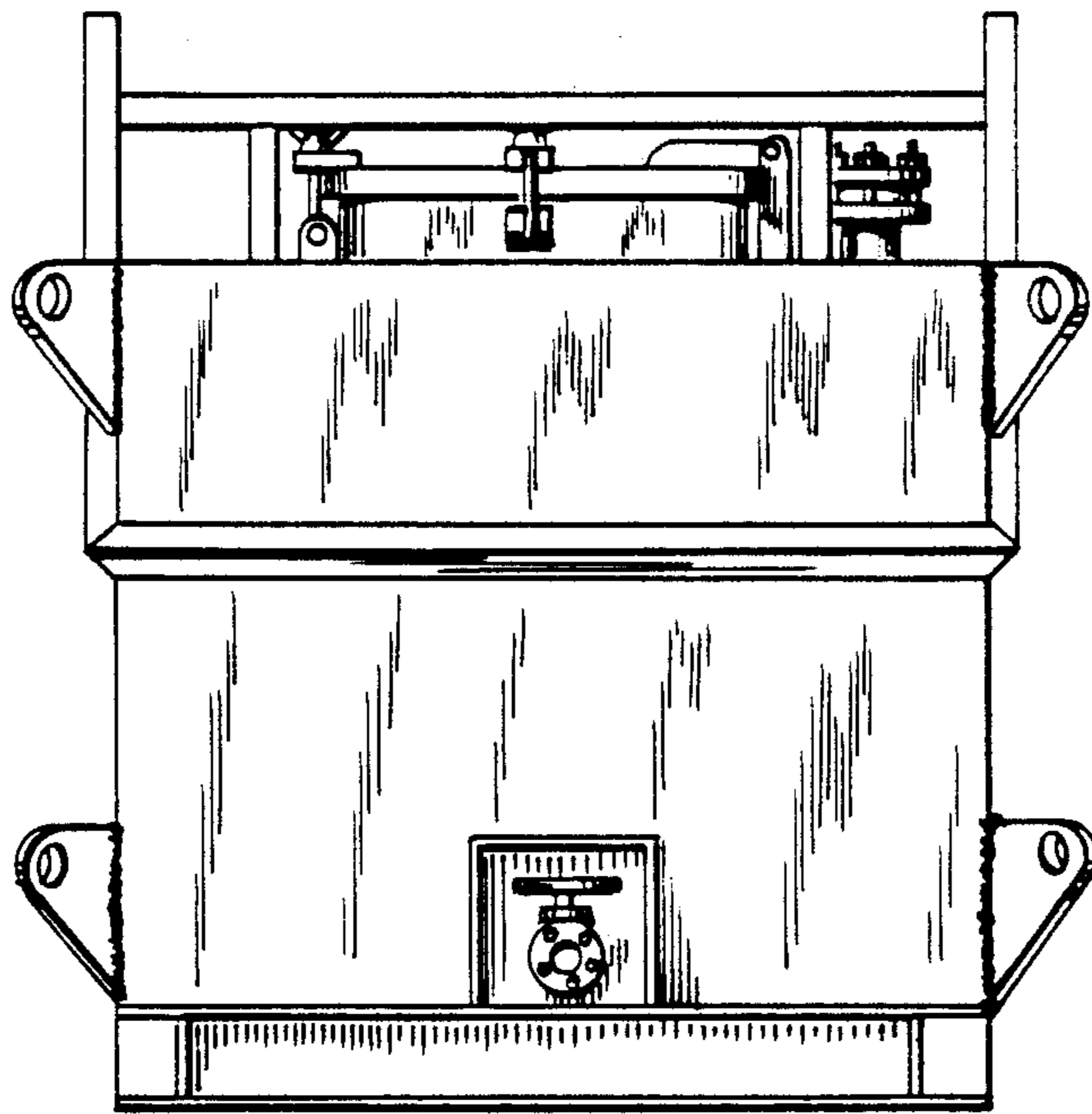


FIG. 3.

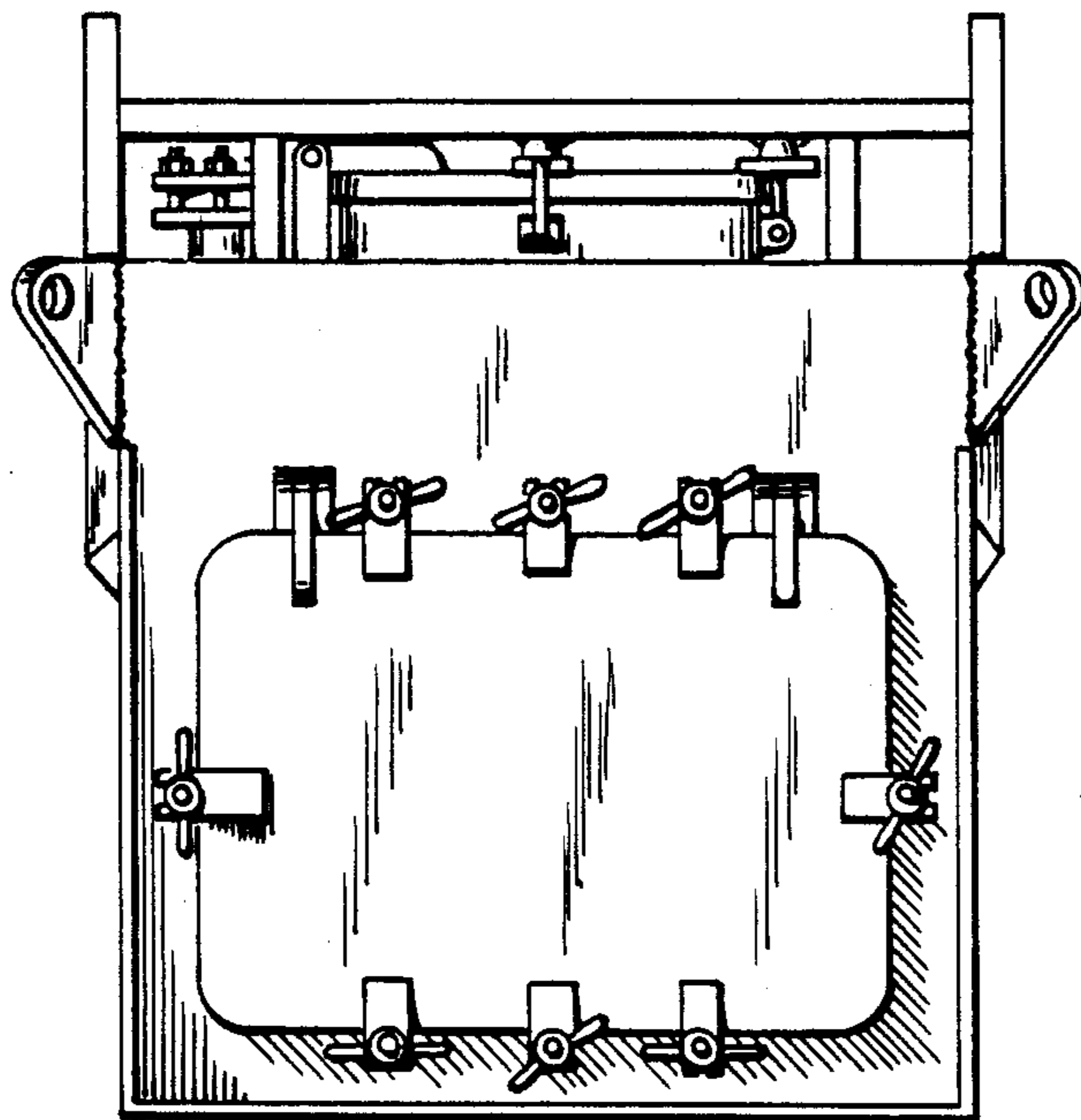


FIG. 4.