

[54] DOG FOOD BOWL

[76] Inventor: Clark McCarroll, 168 Hillcrest Dr.,
Munhall, Pa. 15120

[**] Term: 14 Years

[21] Appl. No.: 933,598

[22] Filed: Nov. 21, 1986

[52] U.S. Cl. D30/130

[58] Field of Search D30/13-17,
D30/129, 130; 119/51.5, 61

2,867,940	1/1959	Pitton	119/61 X
2,928,372	3/1960	Farley	119/61
3,202,131	8/1965	Jones	119/61
3,441,063	4/1969	Du Mond et al.	119/61
3,491,724	1/1970	Sunner	119/61

Primary Examiner—James R. Largen
Attorney, Agent, or Firm—William J. Ruano

[57] CLAIM

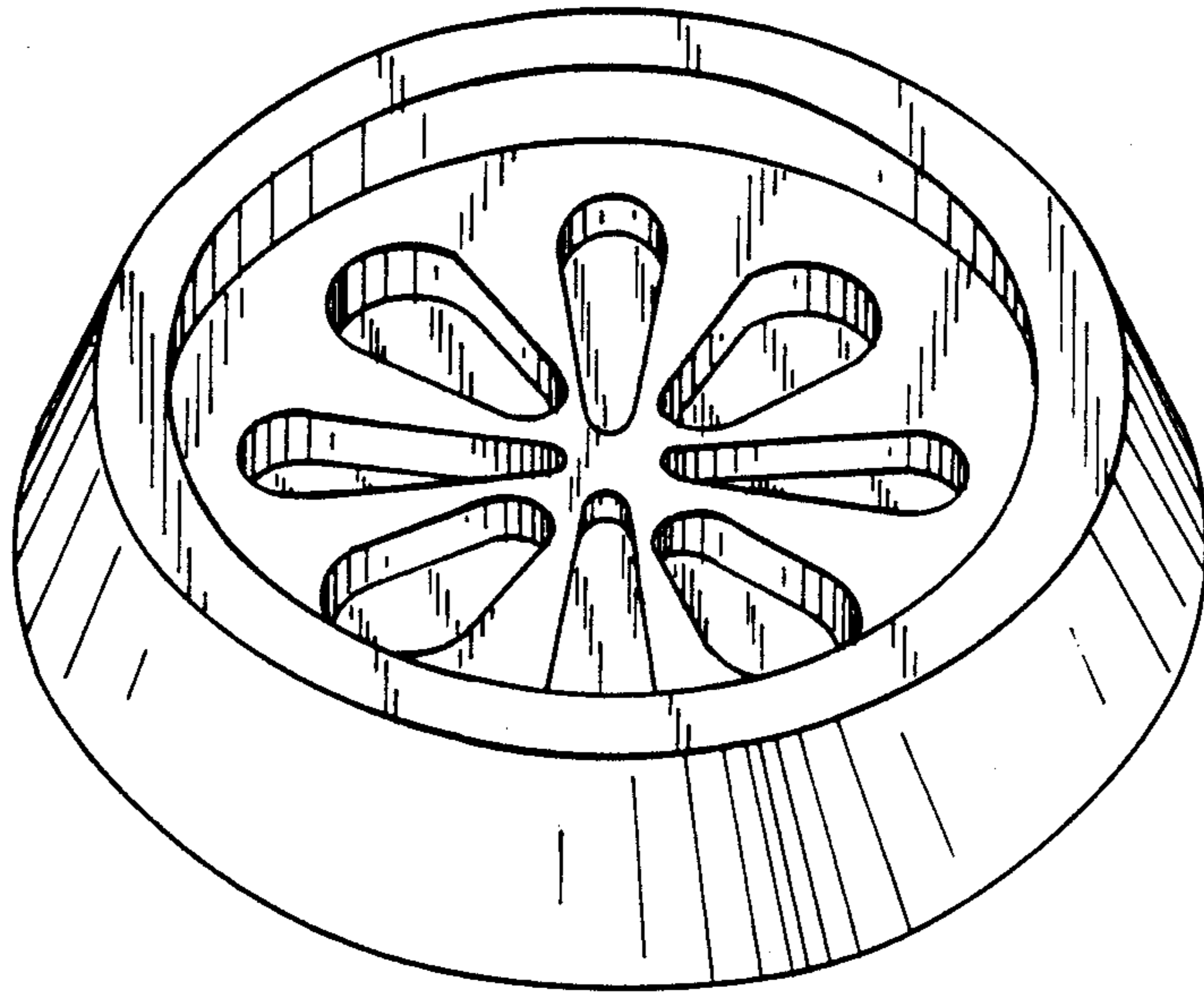
The ornamental design for a dog food bowl, as shown and described.

DESCRIPTION

FIG. 1 is a top plan view of a dog bowl showing my new design;
FIG. 2 is a side elevational view thereof; and
FIG. 3 is a cross sectional view taken on line 3—3 of FIG. 1;
FIG. 4 is a cross sectional view taken on line 4—4 of FIG. 1; and
FIG. 5 is a top perspective view thereof.

[56] References Cited
U.S. PATENT DOCUMENTS

D. 105,812	8/1937	Siekert	D30/16
D. 229,074	11/1973	Cuprak	D30/16
D. 230,034	1/1974	Goldman et al.	D30/16
D. 269,386	6/1983	Khider	119/61 X
2,259,682	10/1941	Collins	119/61
2,554,086	5/1951	Block	119/51.5



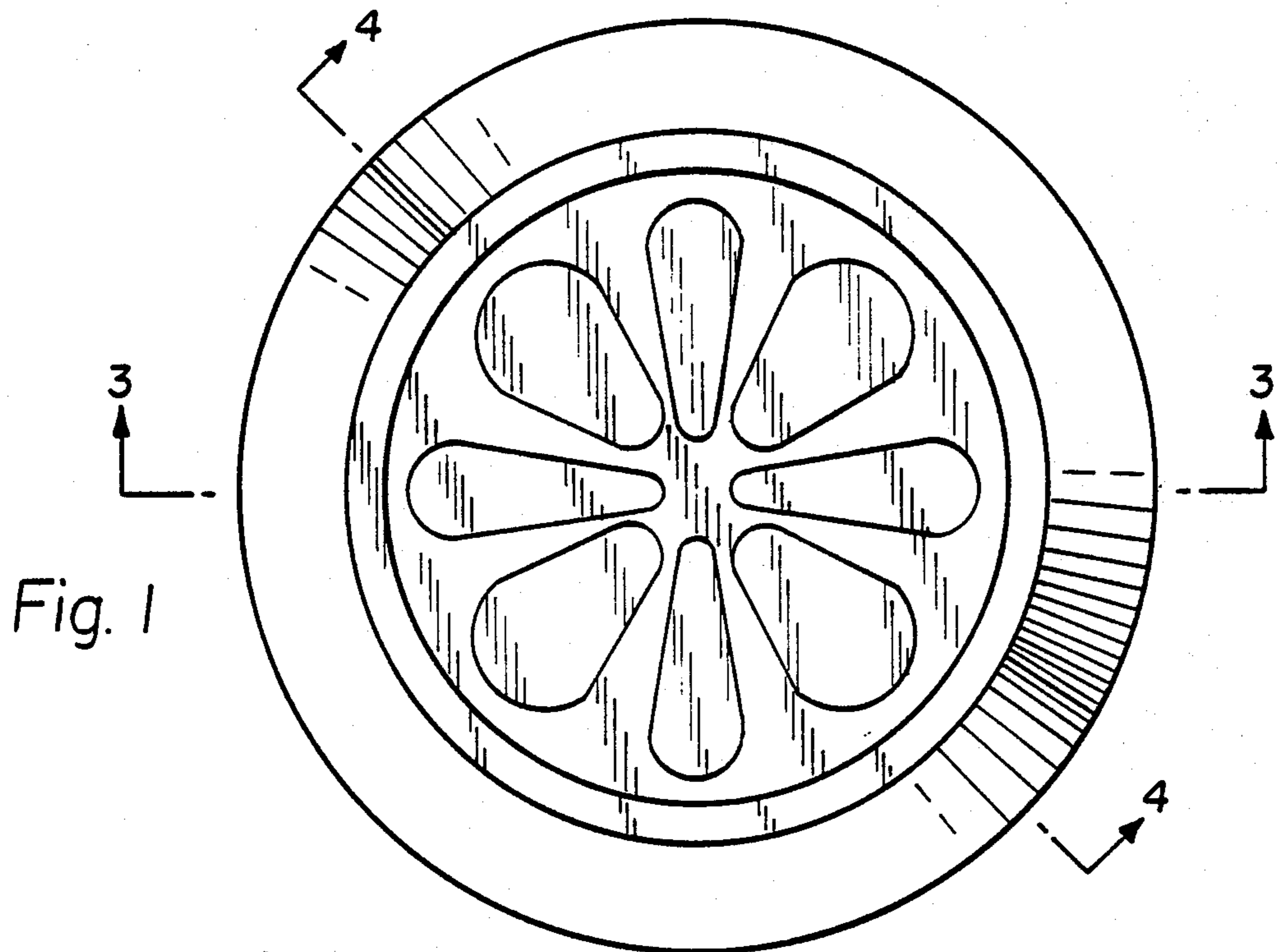


Fig. 2

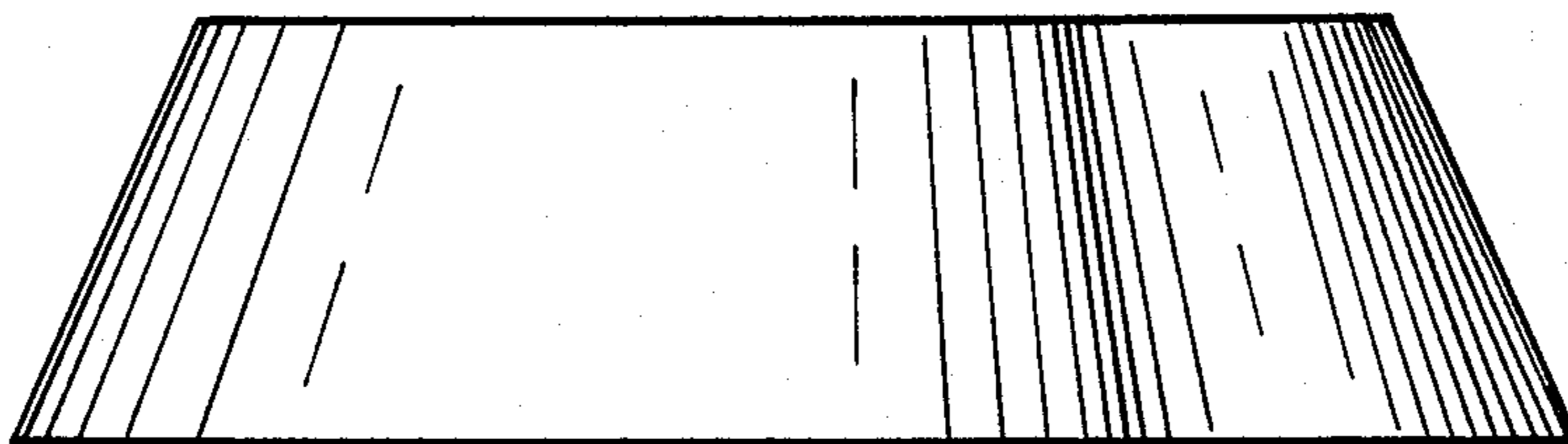


Fig. 3

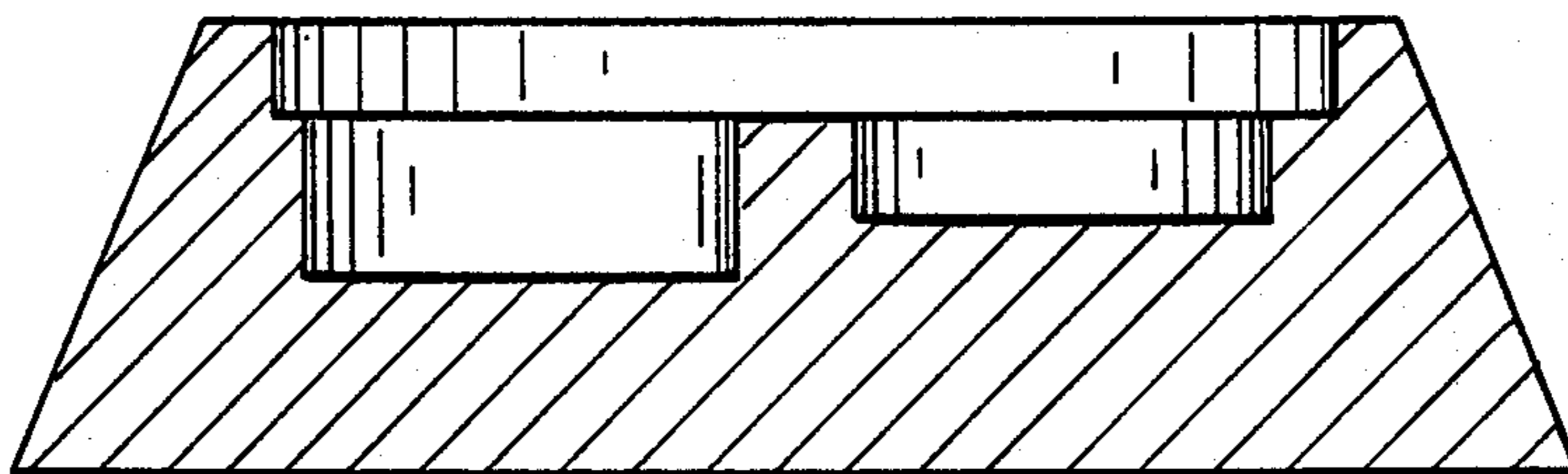
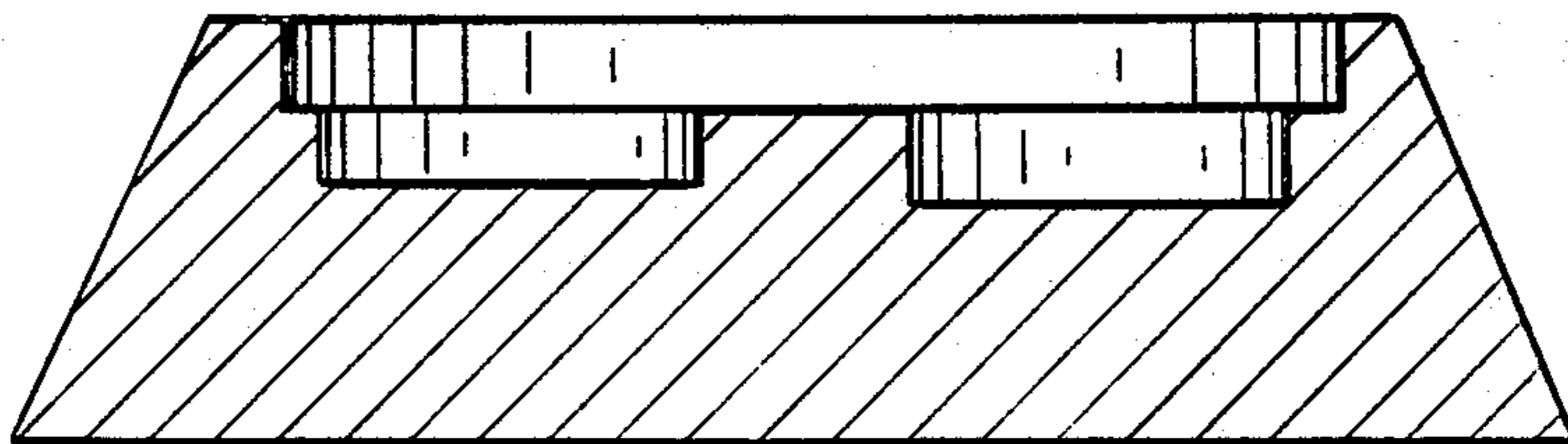


Fig. 4



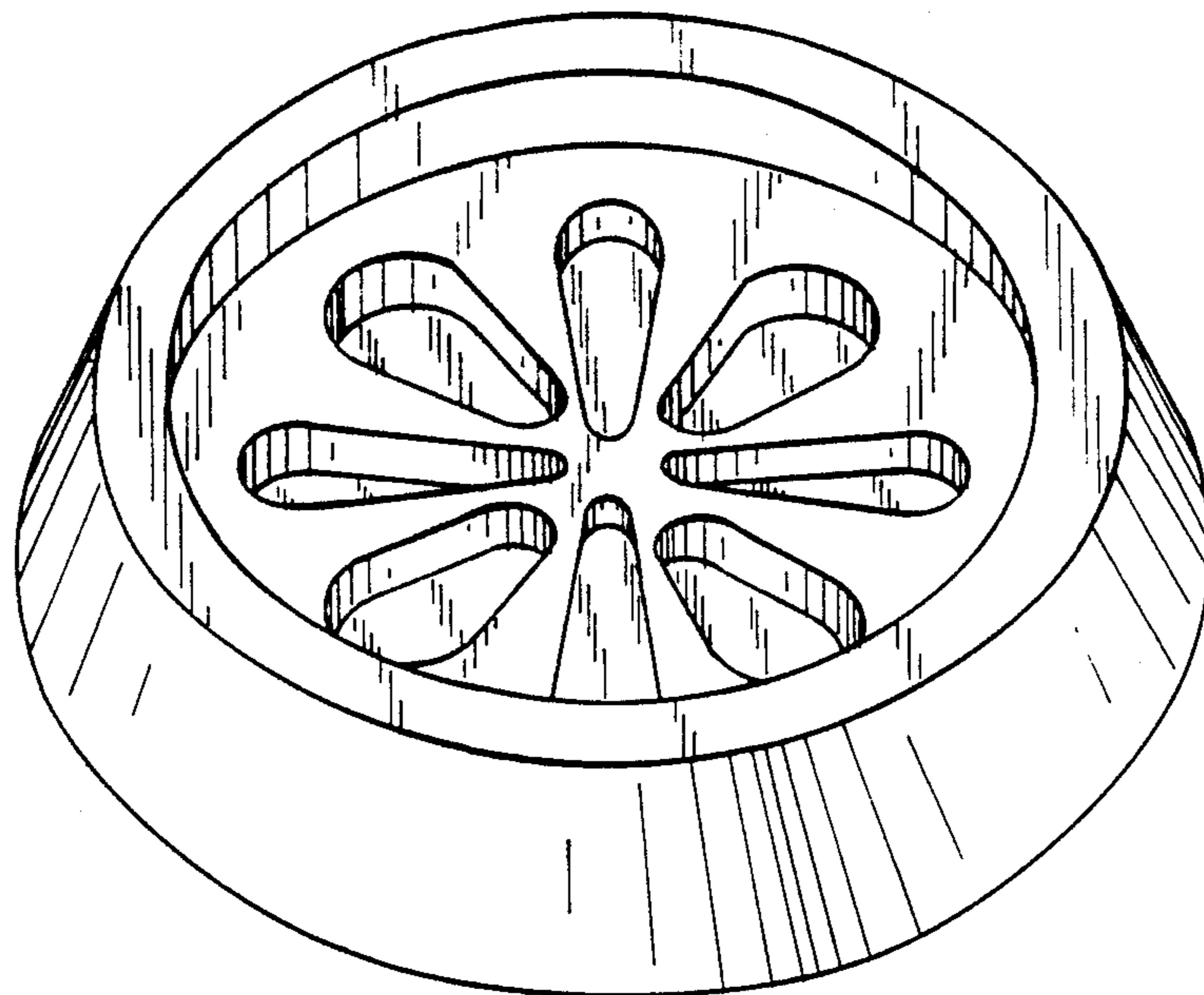


Fig. 5