

[54] COMBINED LIGHTER AND CREDIT CARD OR THE LIKE

[76] Inventor: Poul E. Thoby, Pilevej 1A, Solrod Strand, Denmark, DK-2680

[**] Term: 14 Years

[21] Appl. No.: 826,324

[22] Filed: Feb. 5, 1986

[30] Foreign Application Priority Data

Aug. 6, 1985 [DK] Denmark 680/85

[52] U.S. Cl. D27/38

[58] Field of Search D27/36-42; 431/253, 126

[56] References Cited

U.S. PATENT DOCUMENTS

4,073,612 2/1978 Nitta D27/36 X

Primary Examiner—Catherine E. Kemper

[57] CLAIM

The ornamental design for a combined lighter and credit card or the like, as shown and described.

DESCRIPTION

FIG. 1 is a perspective view of a combined lighter and credit card or the like, showing my new design and shown with the credit card removed for a complete disclosure;

FIG. 2 is a rear perspective view thereof;

FIG. 3 is a front perspective view of the credit card or the like;

FIG. 4 is a front perspective view of a combined lighter and credit card or the like;

FIG. 5 is a front elevational view thereof;

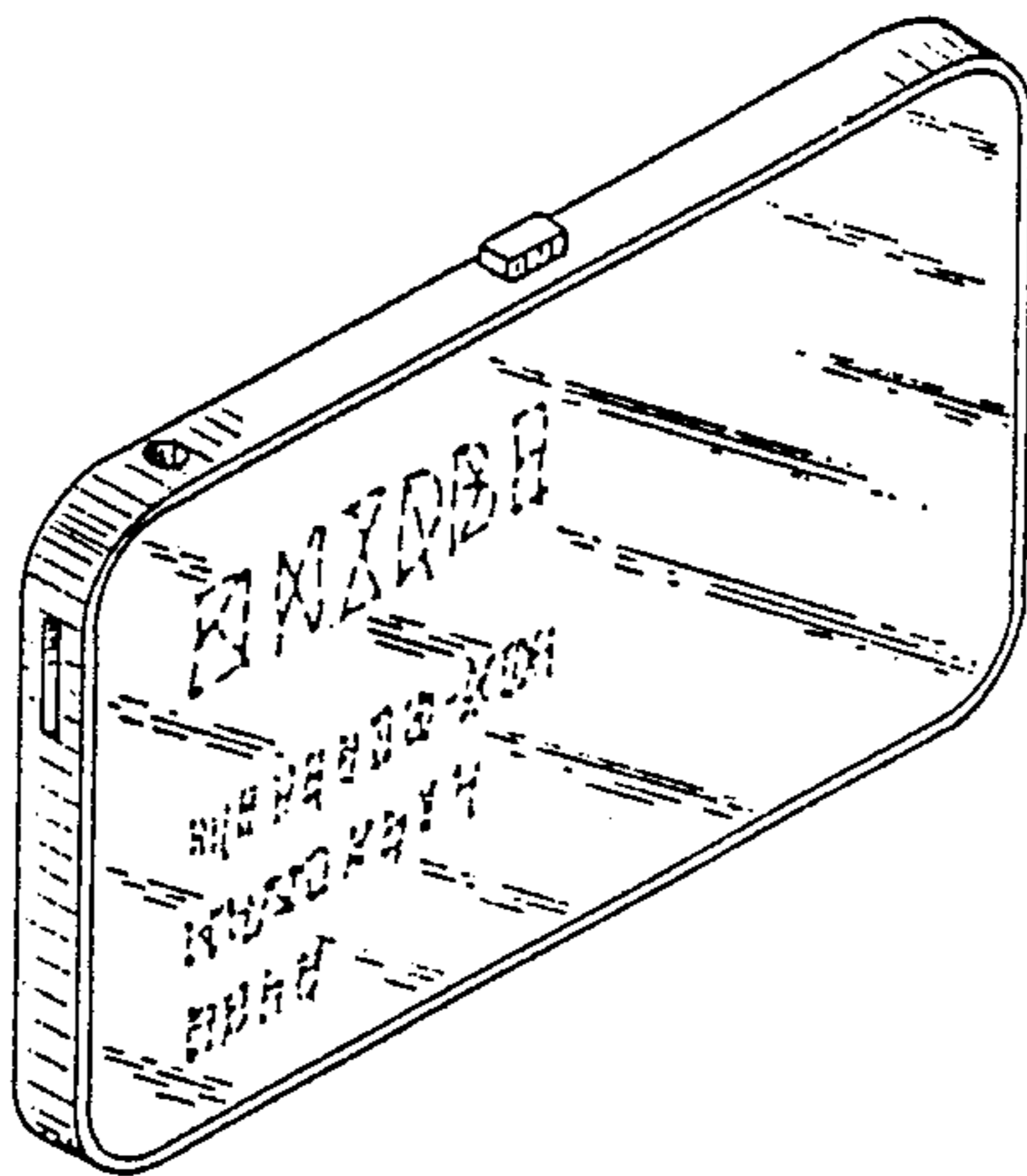
FIG. 6 is a right side elevational view thereof;

FIG. 7 is a left side elevational view thereof;

FIG. 8 is a top plan view thereof;

FIG. 9 is a rear elevational view thereof; and,

FIG. 10 is a bottom plan view thereof.



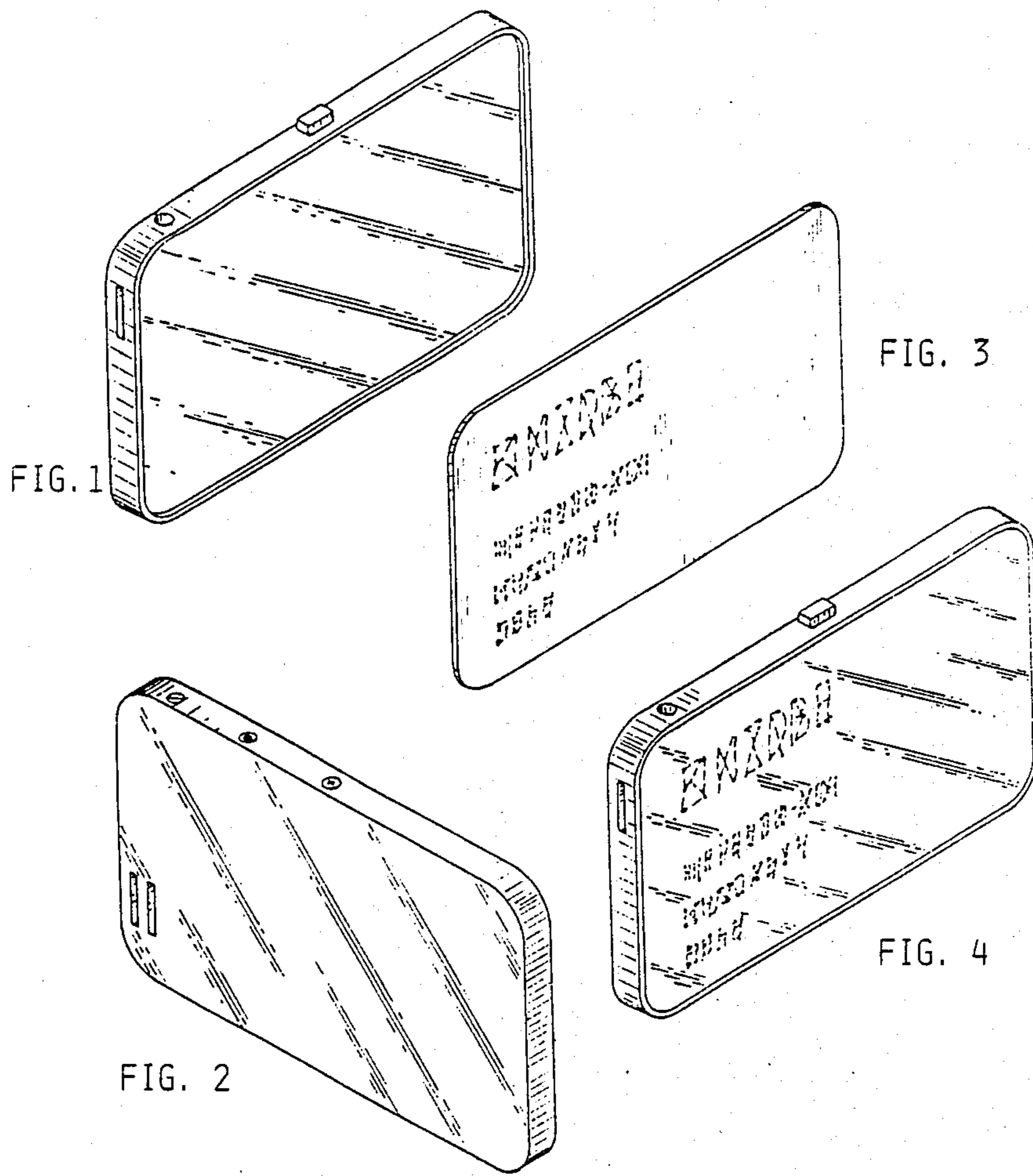


FIG. 1

FIG. 3

FIG. 2

FIG. 4



FIG. 6

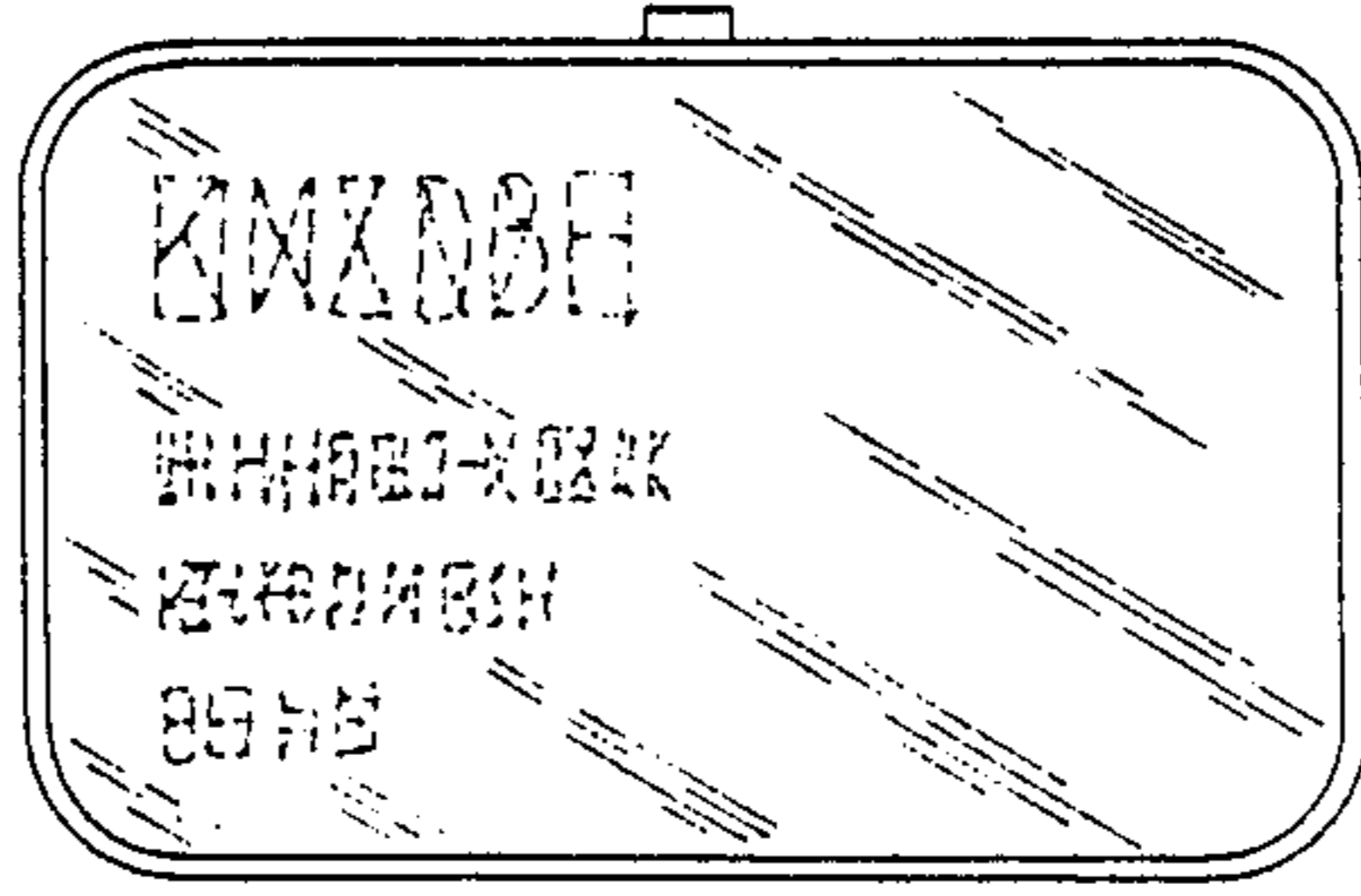


FIG. 5



FIG. 7



FIG. 8

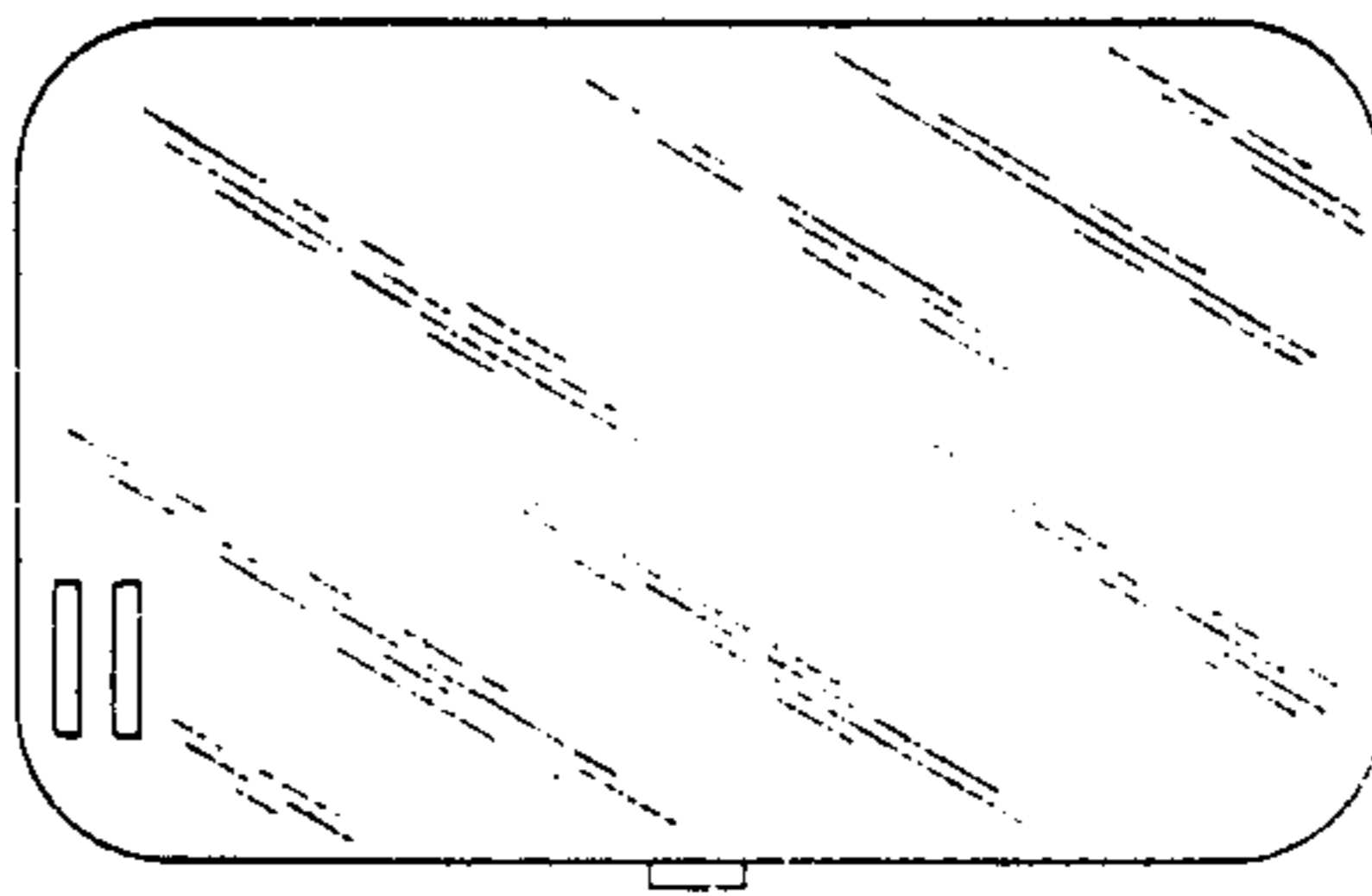


FIG. 9

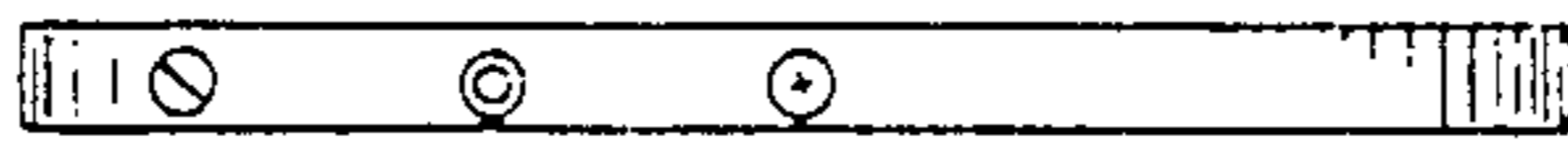


FIG. 10