

[54] FLOODLIGHT

[75] Inventor: Julian J. Wierzbicki, Peabody, Mass.

[73] Assignee: GTE Products Corporation, Danvers, Mass.

[**] Term: 14 Years

[21] Appl. No.: 783,711

[22] Filed: Oct. 3, 1985

[52] U.S. CL D26/63

[58] Field of Search D26/61, 63, 65, 24; 362/307, 362, 269, 275, 418, 431

[56] References Cited

U.S. PATENT DOCUMENTS

- D. 120,741 5/1940 Naylor D26/65
- D. 121,585 7/1940 Critoph D26/63
- D. 211,670 7/1968 Maier D26/65

- 3,040,993 6/1962 Schultz 362/269
- 3,116,022 12/1963 Davis 362/275 X

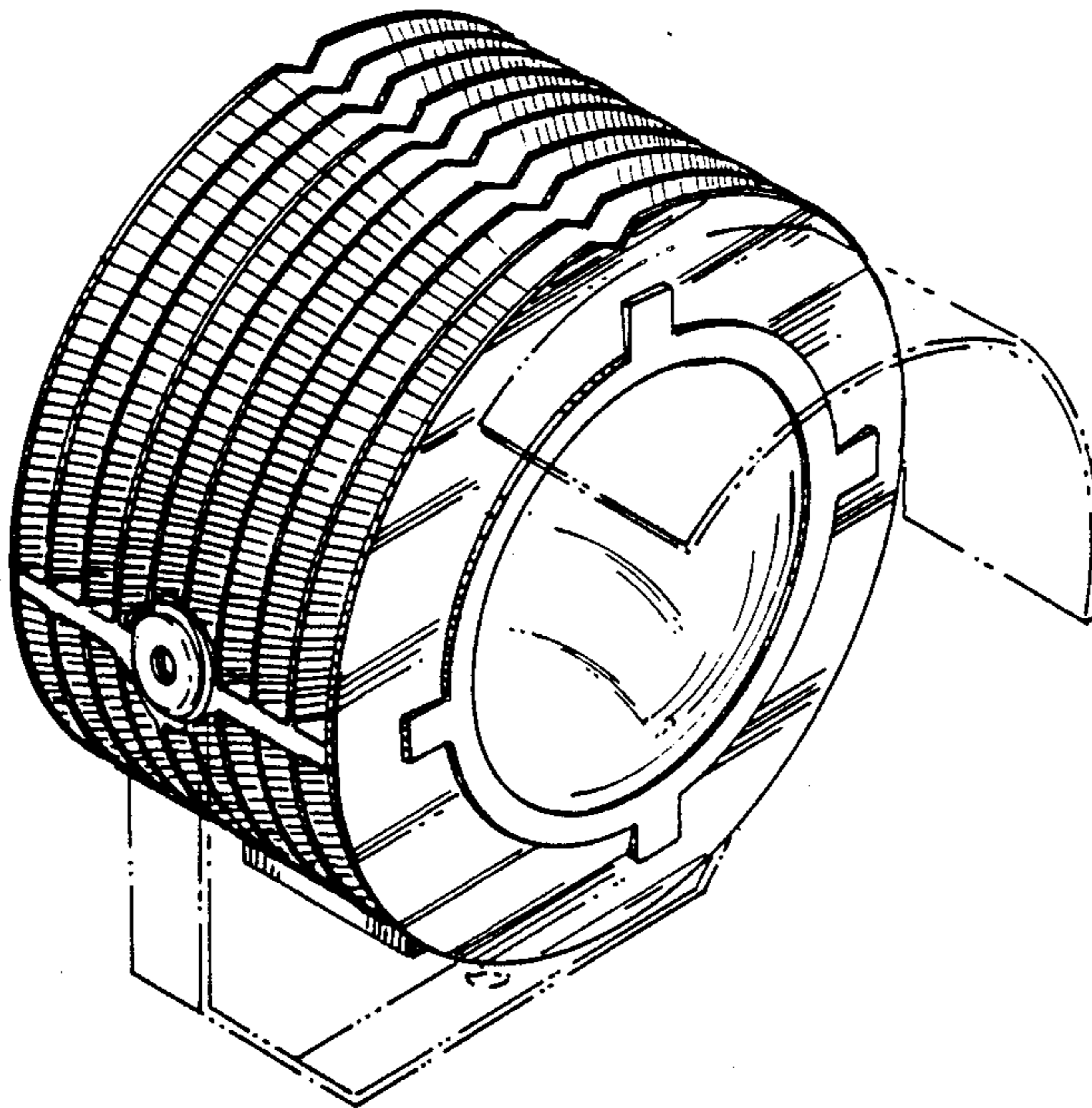
Primary Examiner—Susan J. Lucas
Attorney, Agent, or Firm—Lawrence R. Fraley

[57] CLAIM

The ornamental design for a floodlight, substantially as shown and described.

DESCRIPTION

FIG. 1 is a front perspective view of a floodlight embodying my new design;
 FIG. 2 is a rear perspective view thereof; and
 FIG. 3 is a side elevational view thereof on an enlarged scale, the opposite side being a mirror image.
 FIG. 4 is a bottom perspective view thereof.
 The lens shade cover, housing support bracket and electrical wire connectoin (to the base), shown in phantom lines, are four purposes of illustration only and do not constitute part of the claimed invention.



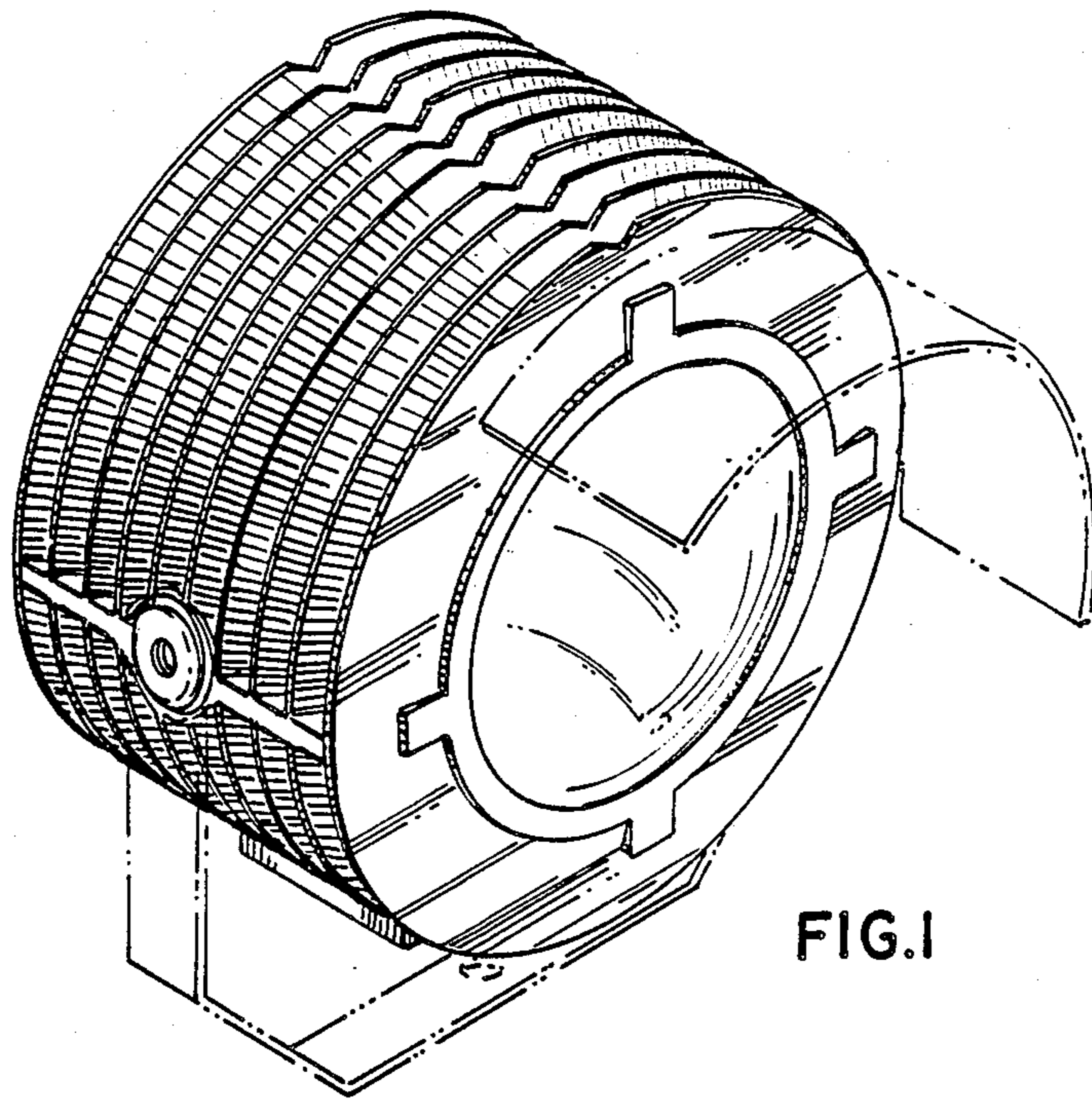


FIG. 1

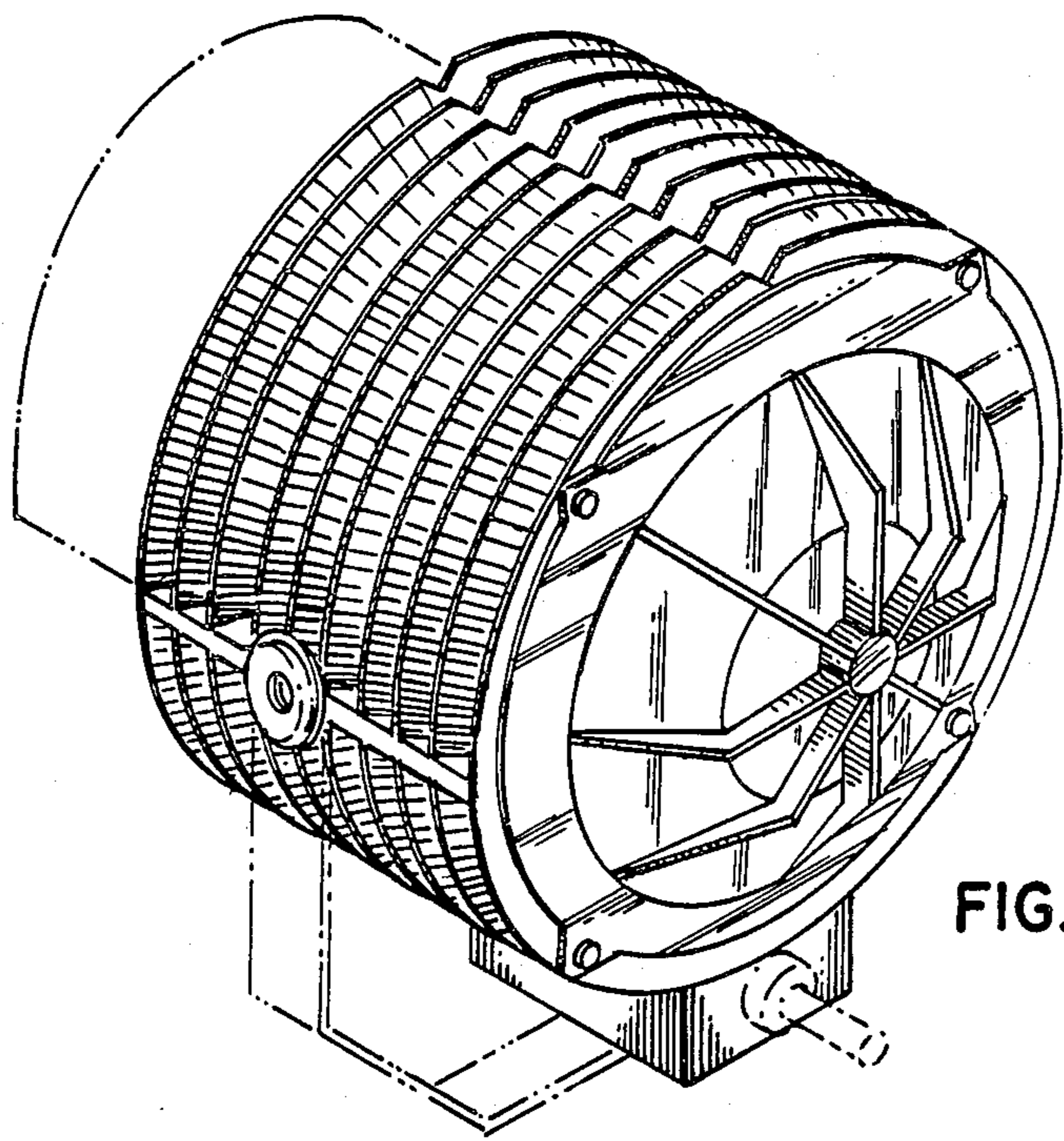


FIG. 2

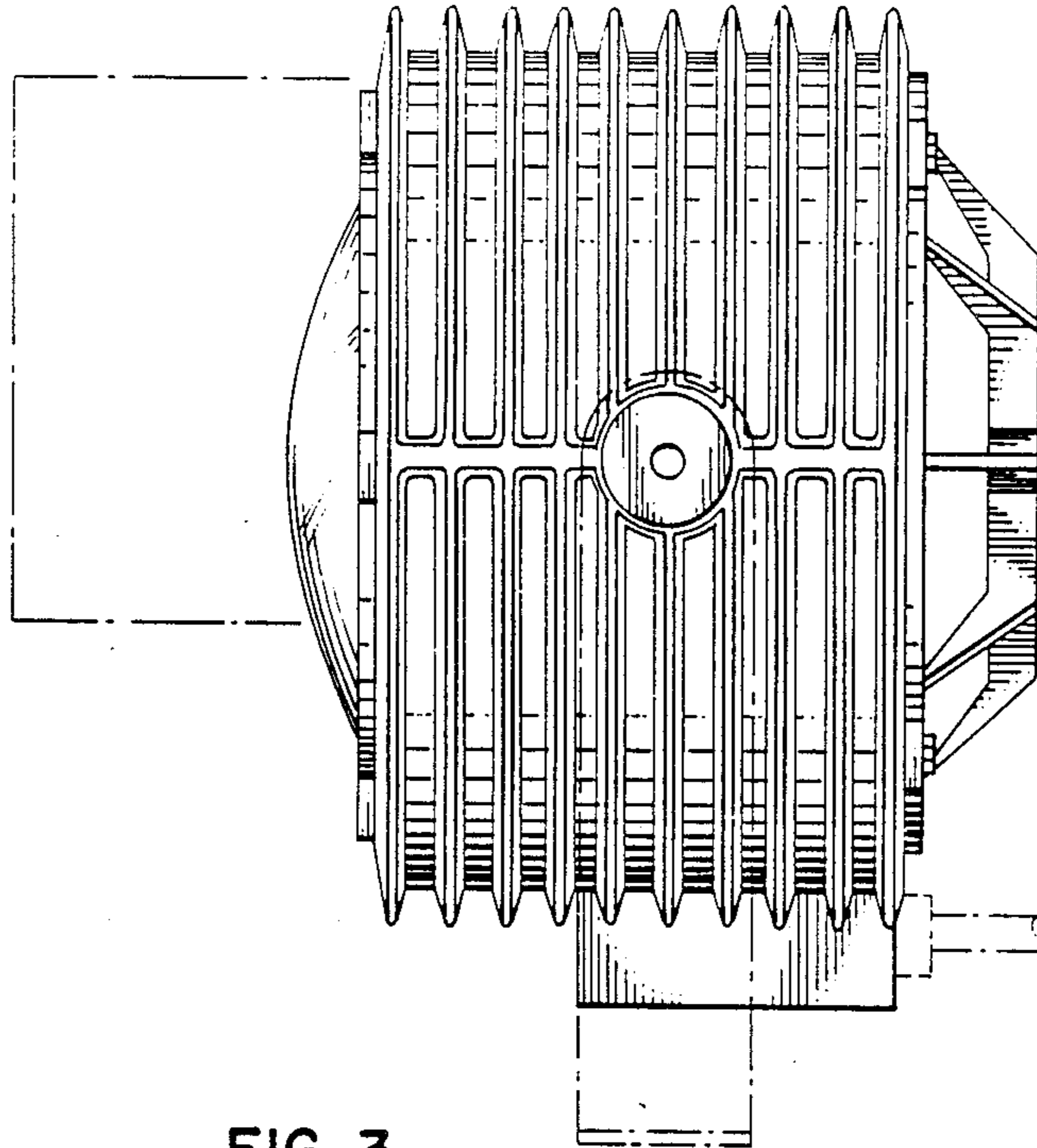


FIG. 3

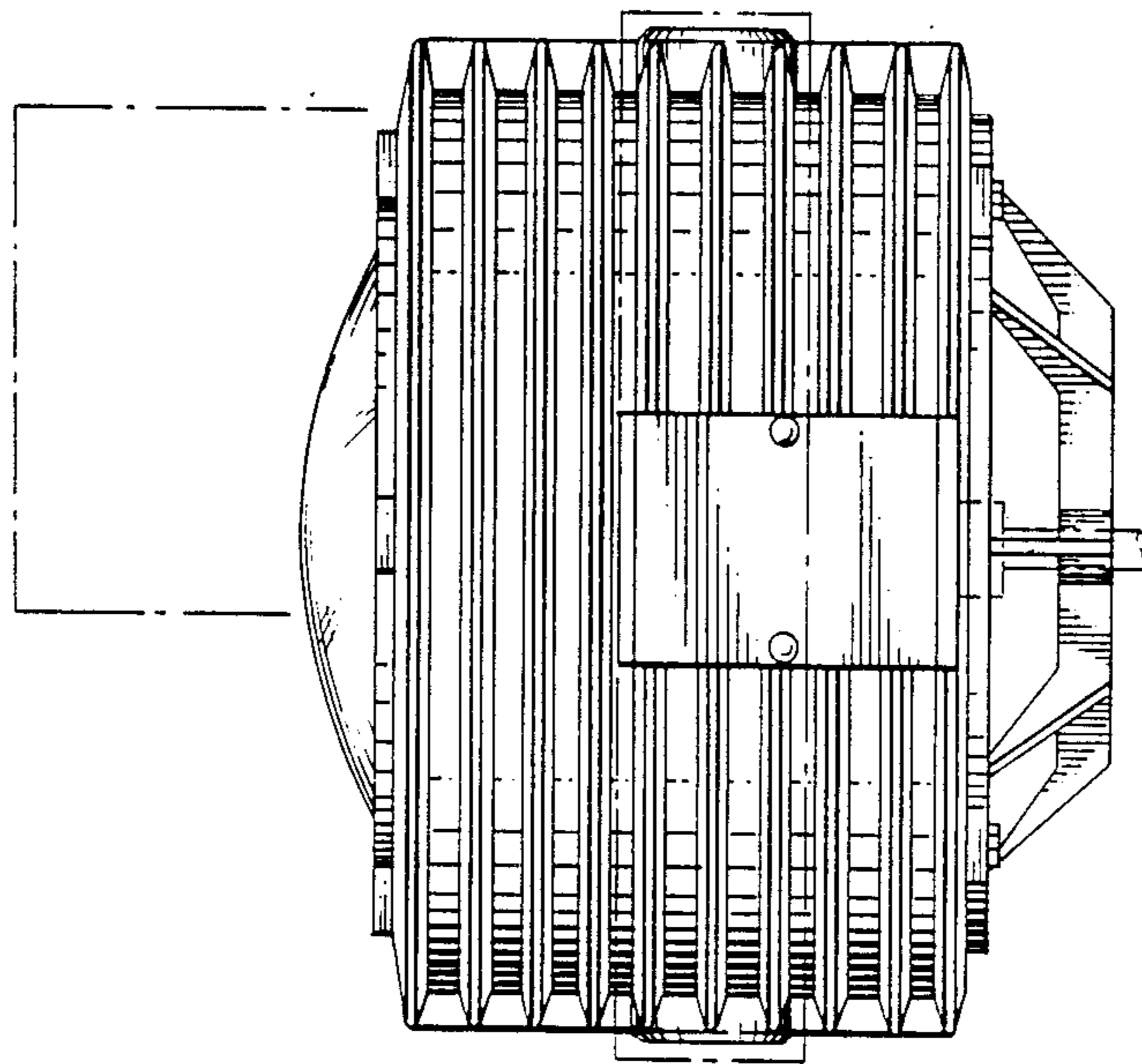


FIG. 4