

[54] **COMBINED LANTERN AND TORCH**

[75] **Inventor: Albert Wan, Tsuen Wan, Hong Kong**

[73] **Assignee: Fee Tat Plastic Factory Limited,
Aberdeen, Hong Kong**

[**] **Term: 14 Years**

[21] **Appl. No.: 700,634**

[22] **Filed: Feb. 12, 1985**

[30] **Foreign Application Priority Data**

Dec. 6, 1984 [GB] United Kingdom 1023769
[52] **U.S. Cl.** D26/42; D26/40
[58] **Field of Search** D26/37-50;
362/157, 158, 183-191, 194-205

[56] **References Cited**

U.S. PATENT DOCUMENTS

D. 218,114 7/1970 Kahn D26/41
D. 282,211 1/1986 Tang D26/42
3,767,904 10/1973 Cook D26/41 X
4,388,674 6/1983 Sano 362/187 X

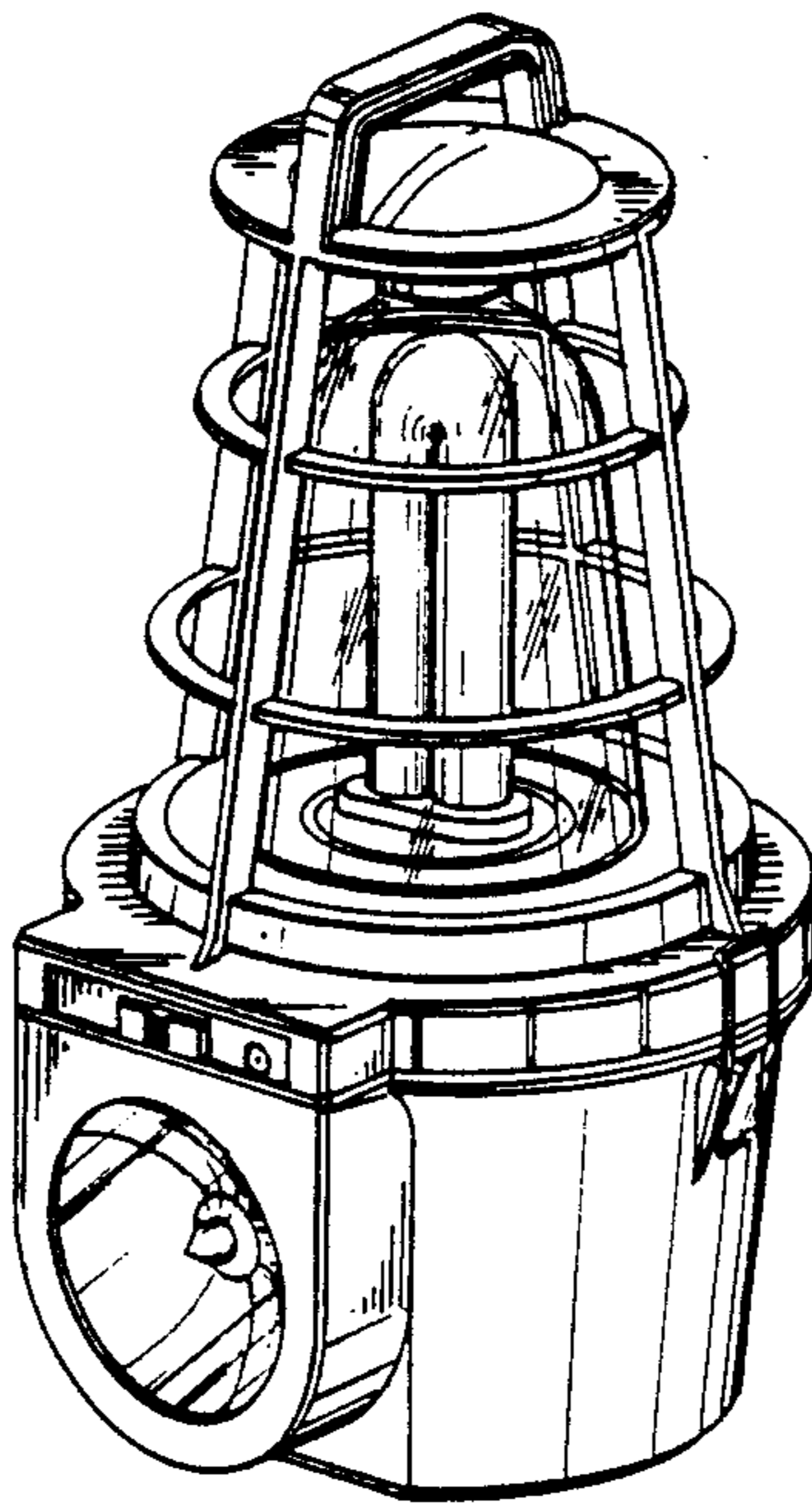
Primary Examiner—Susan J. Lucas
Attorney, Agent, or Firm—Cohen, Pontani & Lieberman

[57] **CLAIM**

The ornamental design for a combined lantern and torch, as shown and described.

DESCRIPTION

FIG. 1 is a top, front perspective view of a combined lantern and torch showing my new design; FIG. 2 is a front elevational view thereof; FIG. 3 is a top plan view thereof; FIG. 4 is a rear elevational view thereof; FIG. 5 is a bottom plan view thereof; and FIG. 6 is a side elevational view thereof, the opposite side being a mirror image.



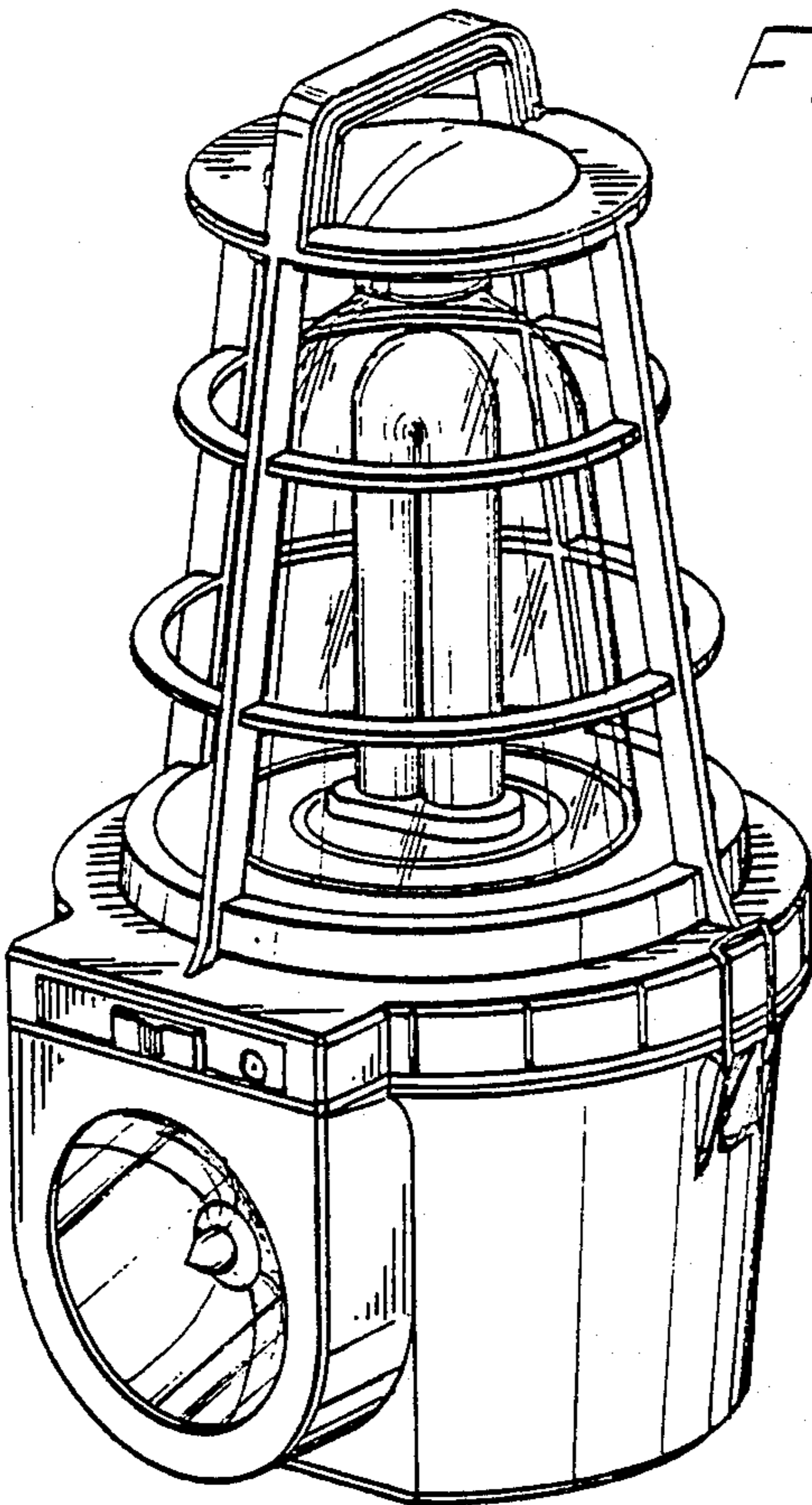


FIG. 1.

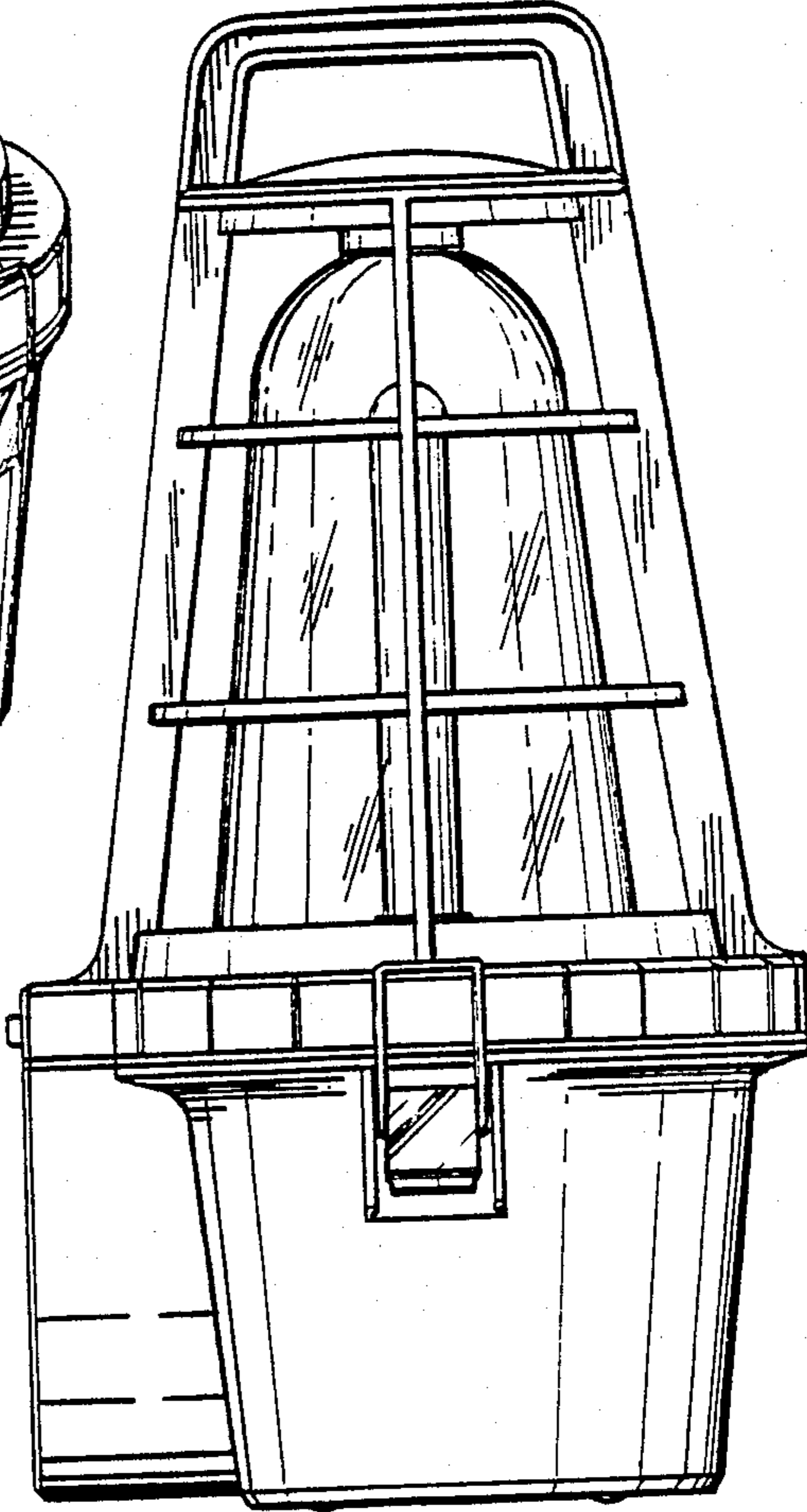


FIG. 6.

FIG. 2.

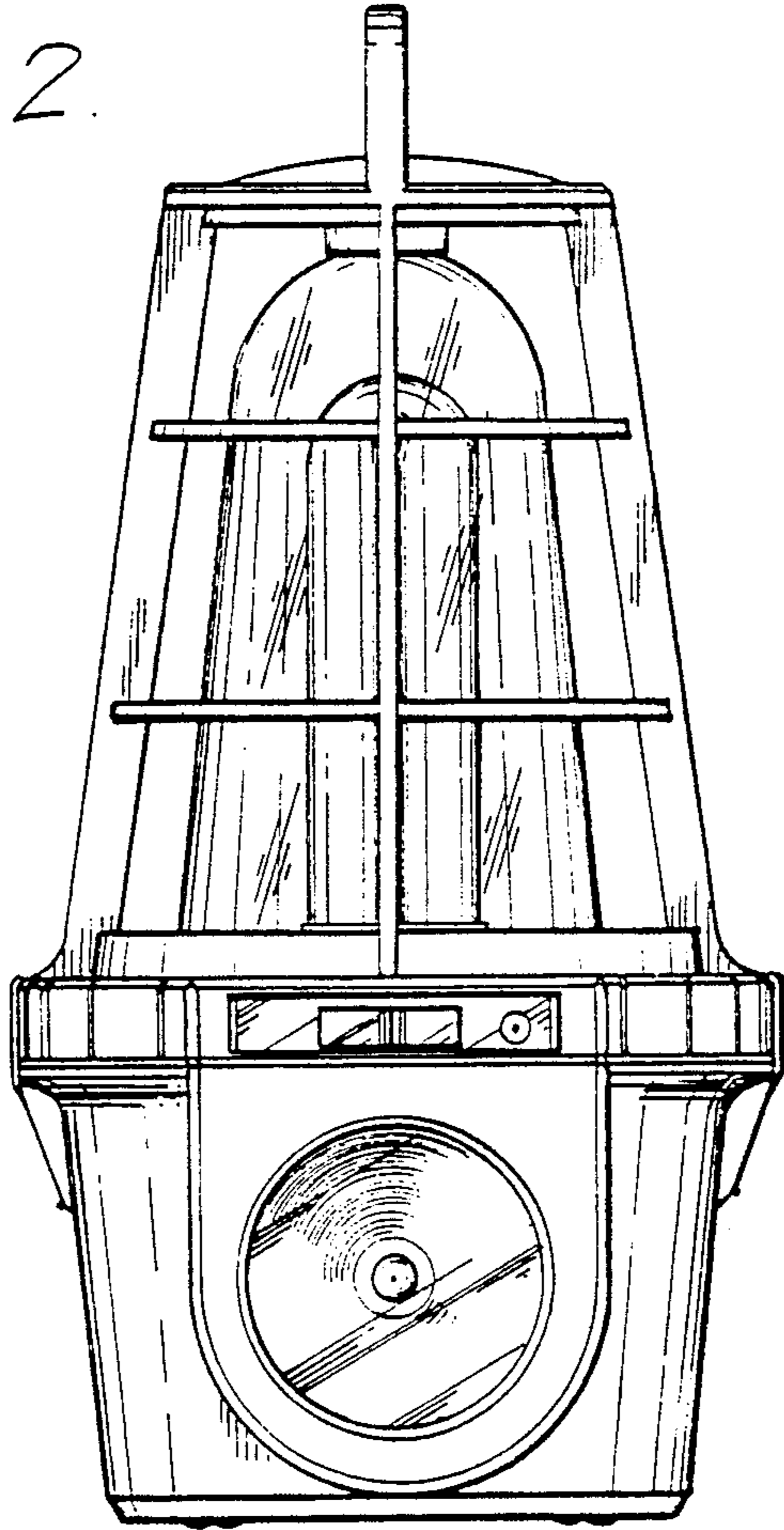


FIG. 3.

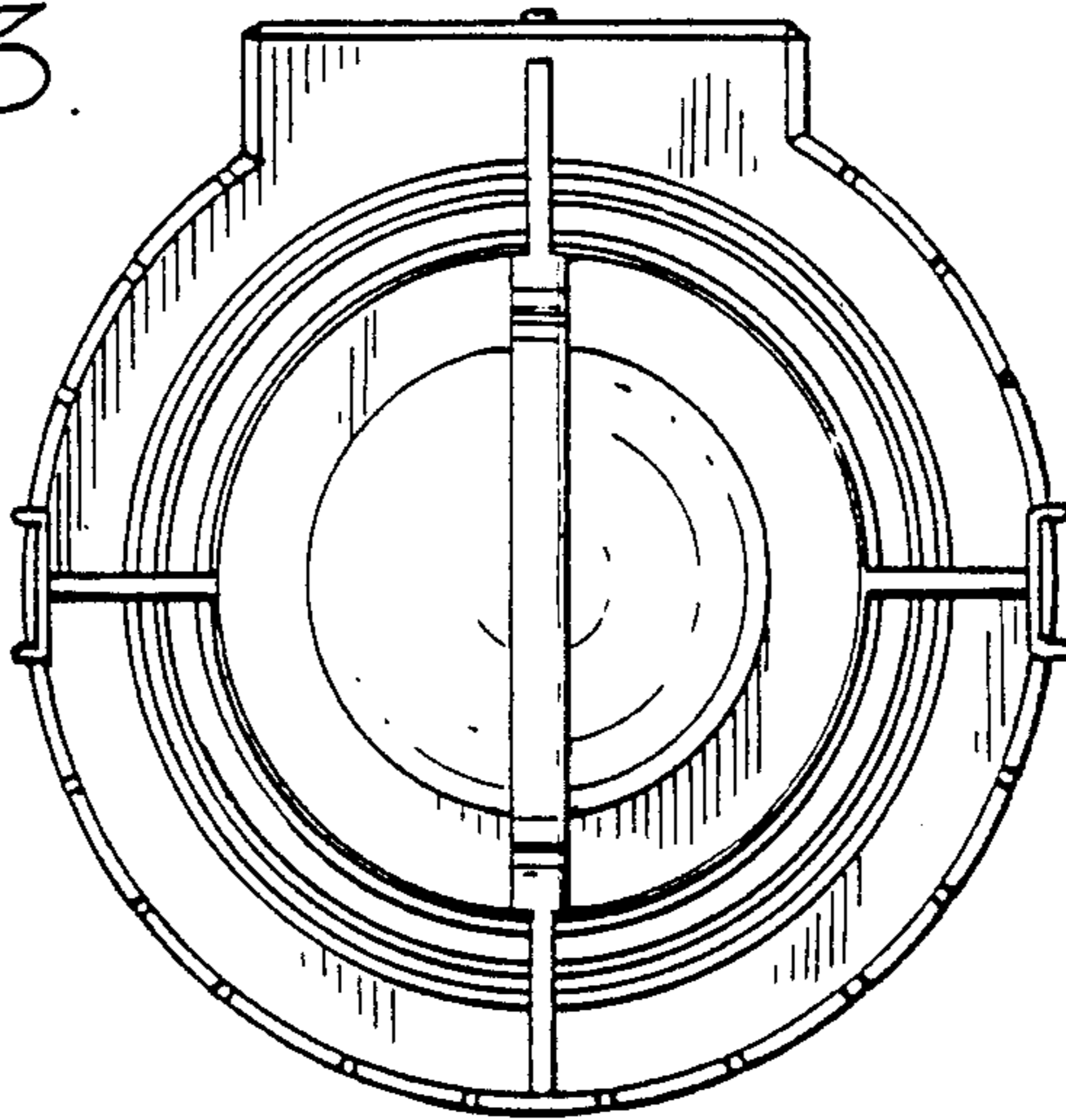


FIG. 4.

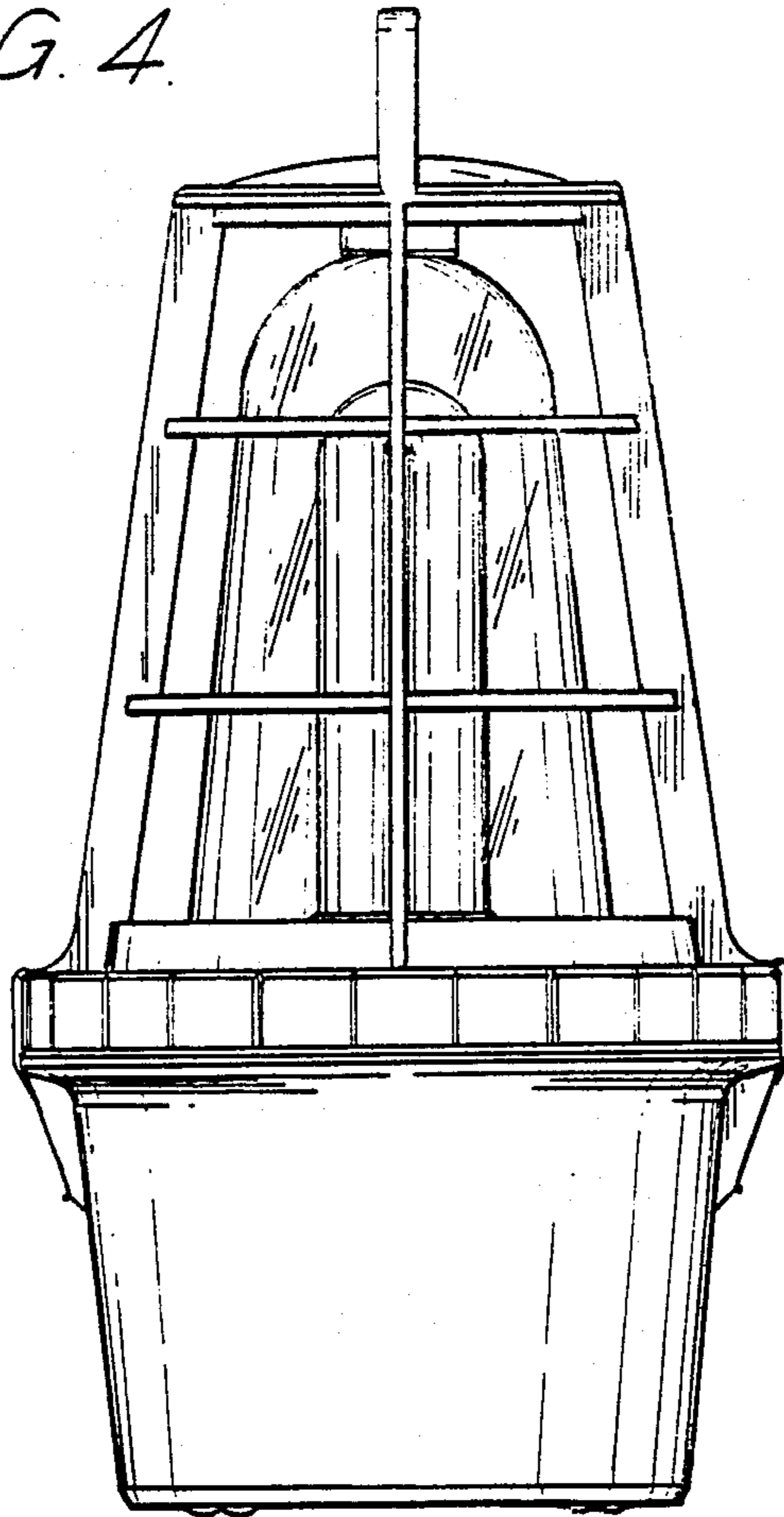


FIG. 5.

