

[54] **WALL BLOCK**

[75] **Inventor:** Paul J. Forsberg, Richfield, Minn.
 [73] **Assignee:** Keystone Retaining Wall Systems, Inc., Edina, Minn.
 [**] **Term:** 14 Years
 [21] **Appl. No.:** 867,372
 [22] **Filed:** May 27, 1986
 [52] **U.S. Cl.** D25/116; D25/113
 [58] **Field of Search** 405/284, 285, 286, 33; 404/41, 42, 34; 52/608, 605; D25/113, 114, 58, 116

[56] **References Cited**

U.S. PATENT DOCUMENTS

126,547	5/1872	Hickcox .	
228,052	5/1880	Frost .	
D. 237,704	11/1974	Lane	D25/116
566,924	9/1896	Morrin .	
810,748	1/1906	Haller et al. .	
1,092,621	4/1914	Worner .	
1,414,444	5/1922	Straight .	
1,456,498	5/1923	Binns .	
2,235,646	3/1941	Schaffer .	
2,963,828	12/1960	Belliveau .	
3,036,407	5/1962	Dixon .	
3,274,742	9/1966	Paul, Jr. et al. .	
3,390,502	7/1968	Carroll .	
3,430,404	3/1969	Muse .	
3,557,505	3/1969	Muse .	
3,936,987	1/1971	Kaul .	
3,995,434	12/1976	Kato et al. .	
4,016,693	4/1977	Warren	52/605 X
4,110,948	9/1978	Cambiuzzi et al. .	
4,207,718	6/1980	Schaaf et al. .	
4,208,850	6/1980	Collier .	
4,228,628	10/1980	Schlomann .	
4,229,123	10/1980	Heinzmann .	
4,335,549	6/1982	Dean	52/98
4,454,699	6/1984	Strobl .	
4,524,551	6/1985	Scheiwiller .	
4,572,699	2/1986	Rinninger .	

FOREIGN PATENT DOCUMENTS

392474	11/1908	France .
1385207	2/1975	United Kingdom .

OTHER PUBLICATIONS

The Hollow Building Tile Assoc. Handbook, p. 11, Jan., 1924.
 The Besser Company brochure, "Modular Concrete Block", 1984.
 The Besser Company brochure, "Paving Stone", Jun., 1984.
 The Besser Company Bulletin, Feb., 1985.
Primary Examiner—A. Hugo Word
Attorney, Agent, or Firm—Burd, Bartz & Gutenkauf

[57] **CLAIM**

The ornamental design of a wall block, substantially as shown and described.

DESCRIPTION

FIG. 1 is a perspective view of a first embodiment of the wall block of my new design;
 FIG. 2 is a top view thereof;
 FIG. 3 is a bottom view thereof;
 FIG. 4 is a front view thereof;
 FIG. 5 is a rear view thereof;
 FIG. 6 is a sectional view taken along the line 6—6 of FIG. 2;
 FIG. 7 is a sectional view taken along the line 7—7 of FIG. 3;
 FIG. 8 is a perspective view of a second embodiment of the wall block of my new design;
 FIG. 9 is a top view of FIG. 8;
 FIG. 10 is a bottom view of FIG. 8;
 FIG. 11 is a front view of FIG. 8;
 FIG. 12 is a rear view of FIG. 8;
 FIG. 13 is a sectional view taken along the line 13—13 of FIG. 9;
 FIG. 14 is a sectional view taken along the line 14—14 of FIG. 10;
 FIG. 15 is a third embodiment of the wall block of my new design;
 FIG. 16 is a top view of FIG. 15;
 FIG. 17 is a bottom view of FIG. 15;
 FIG. 18 is a front view of FIG. 15;
 FIG. 19 is a rear view of FIG. 15;
 FIG. 20 is a sectional view taken along the line 20—20 of FIG. 16;

(List continued on next page.)

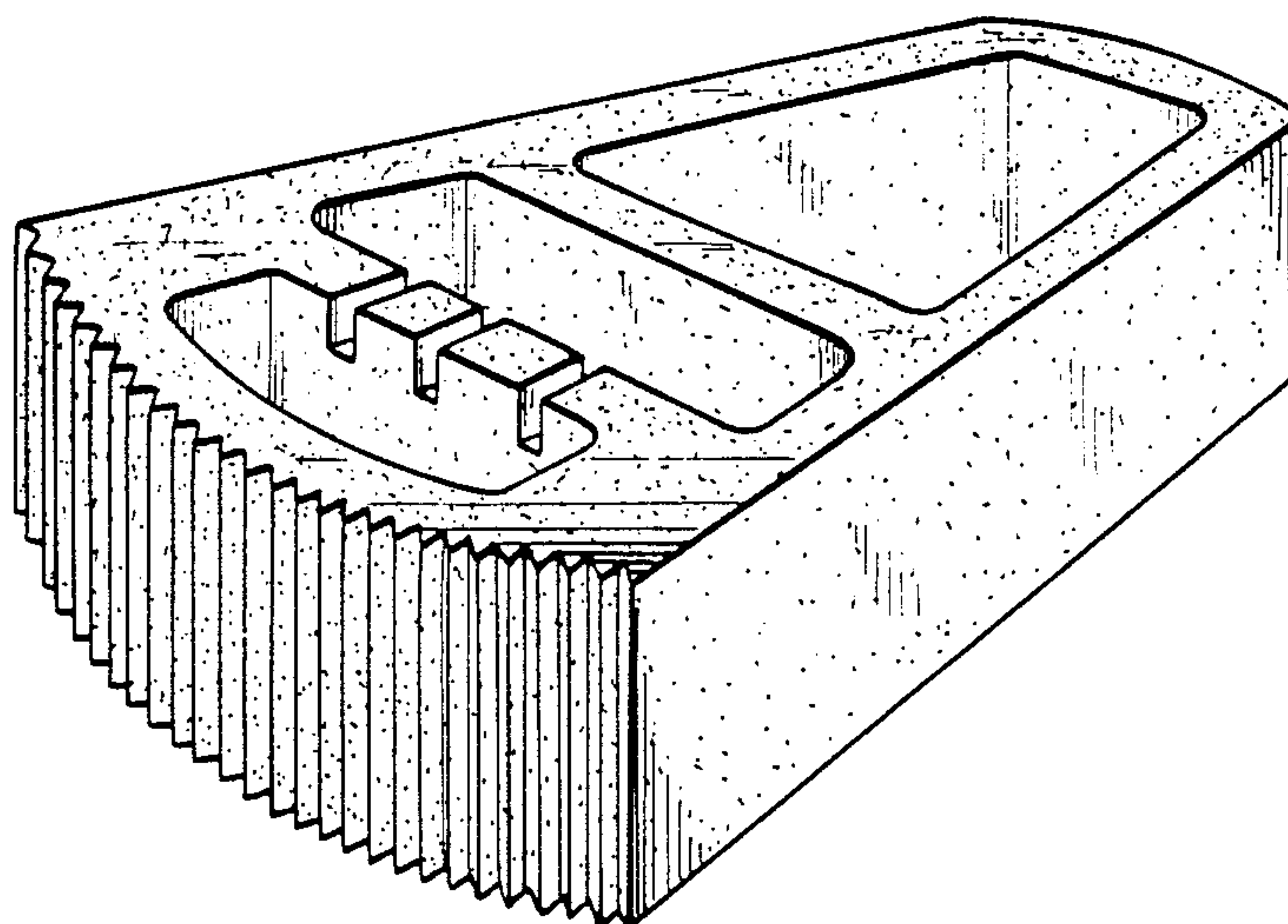


FIG. 21 is a sectional view taken along the line 21—21 of FIG. 17;

FIG. 22 is a fourth embodiment of the wall block of my new design;

FIG. 23 is a top view of FIG. 22;

FIG. 24 is a bottom view of FIG. 22;

FIG. 25 is a front elevational view of FIG. 23;

FIG. 26 is a rear view of FIG. 22;

FIG. 27 is a sectional view taken along the line 27—27 of FIG. 23;

FIG. 28 is a sectional view taken along the line 28—28 of FIG. 24;

FIG. 29 is a fifth embodiment of the wall block of my new design;

FIG. 30 is a top view of FIG. 29;

FIG. 31 is a bottom view of FIG. 29;

FIG. 32 is a front view of FIG. 29;

FIG. 33 is a rear view of FIG. 29;

FIG. 34 is a sectional view taken along the line 34—34 of FIG. 30;

FIG. 35 is a sectional view taken along the line 35—35 of FIG. 31;

FIG. 36 is a sixth embodiment of the wall block of my new design;

FIG. 37 is a top view of FIG. 36;

FIG. 38 is a bottom view of FIG. 36;

FIG. 39 is a front view of FIG. 36;

FIG. 40 is a rear view of FIG. 36;

FIG. 41 is a sectional view taken along the line 41—41 of FIG. 37; and

FIG. 42 is a sectional view taken along the line 42—42 of FIG. 38.

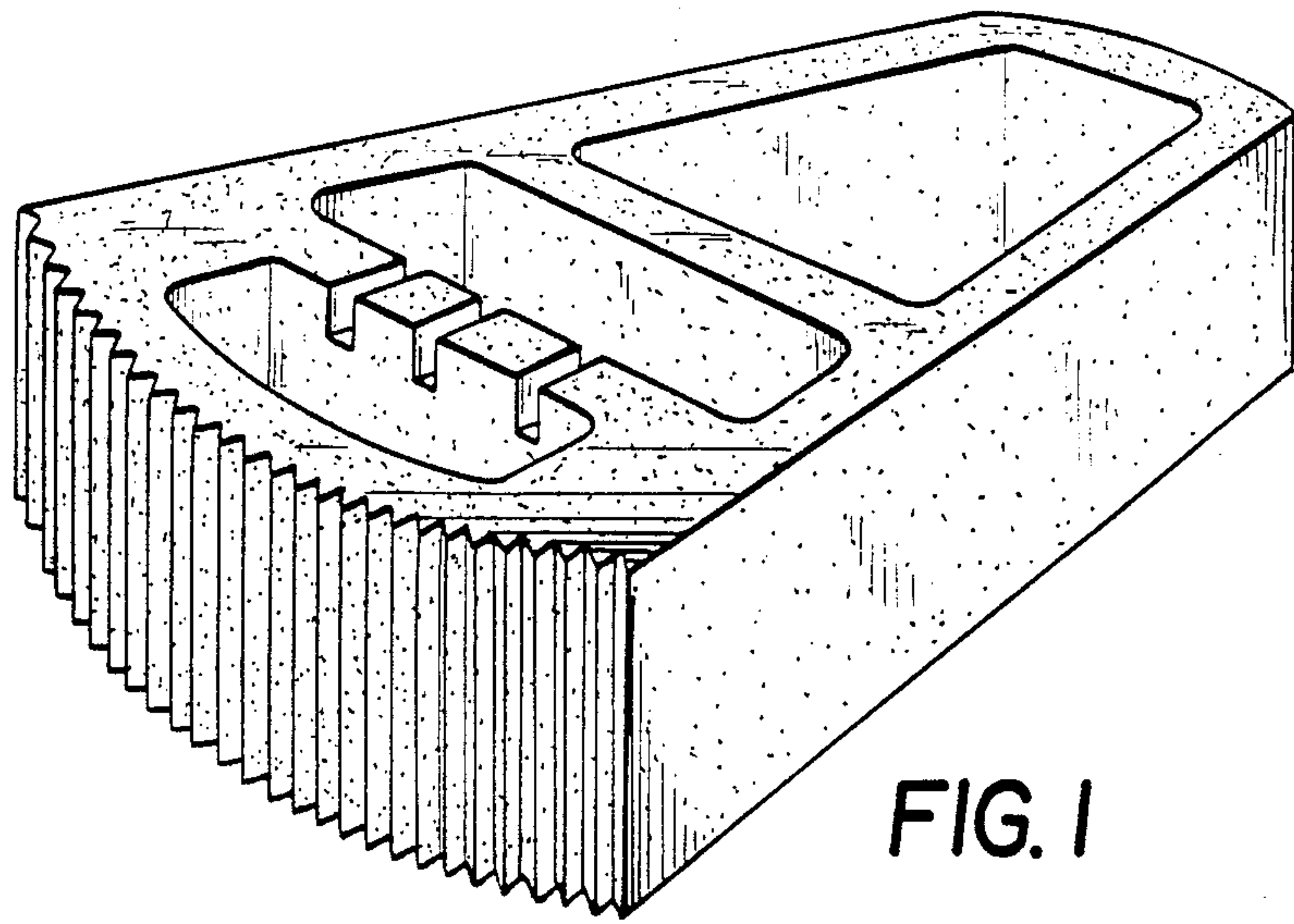


FIG. 1

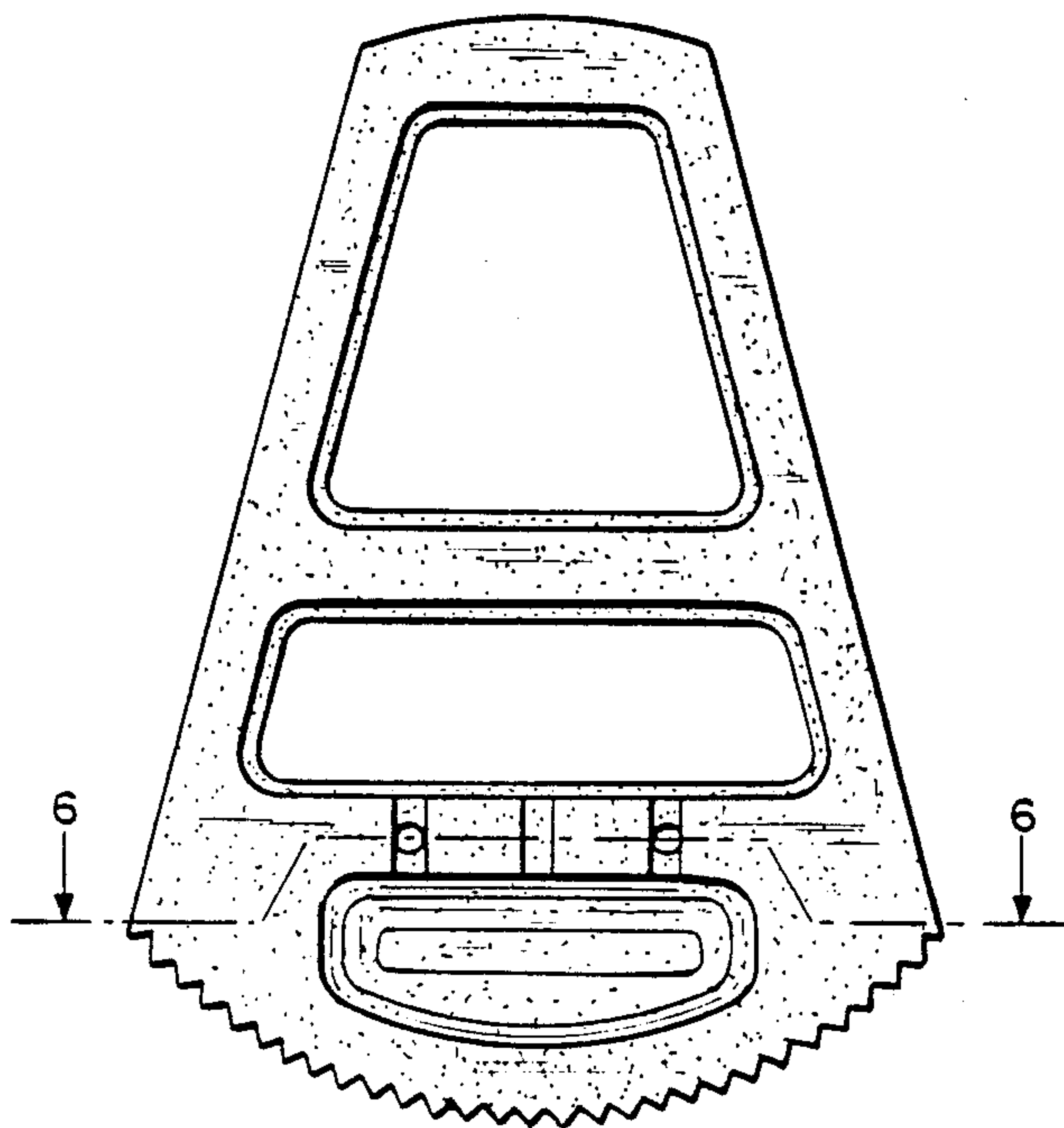


FIG. 2

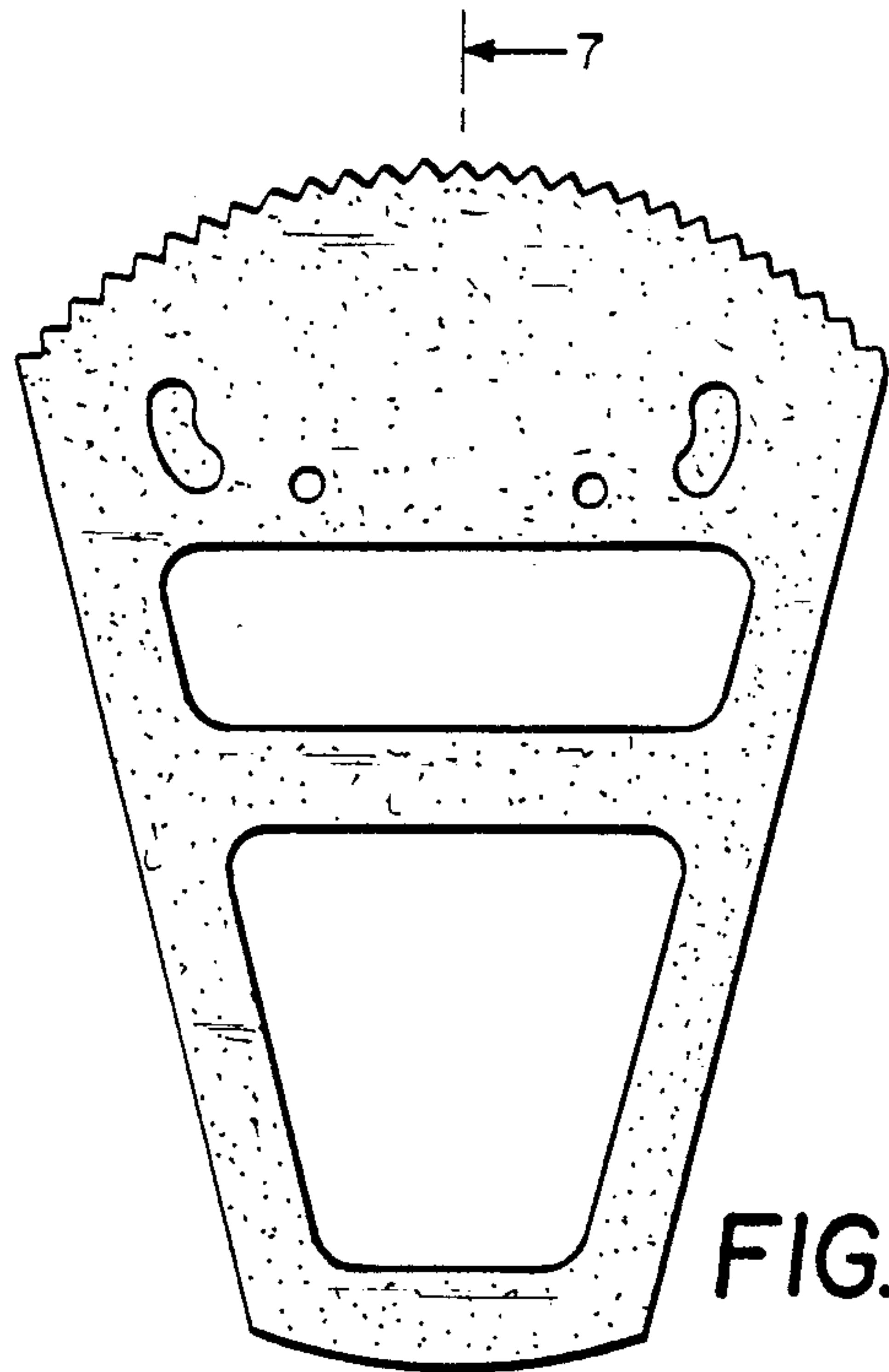


FIG. 3

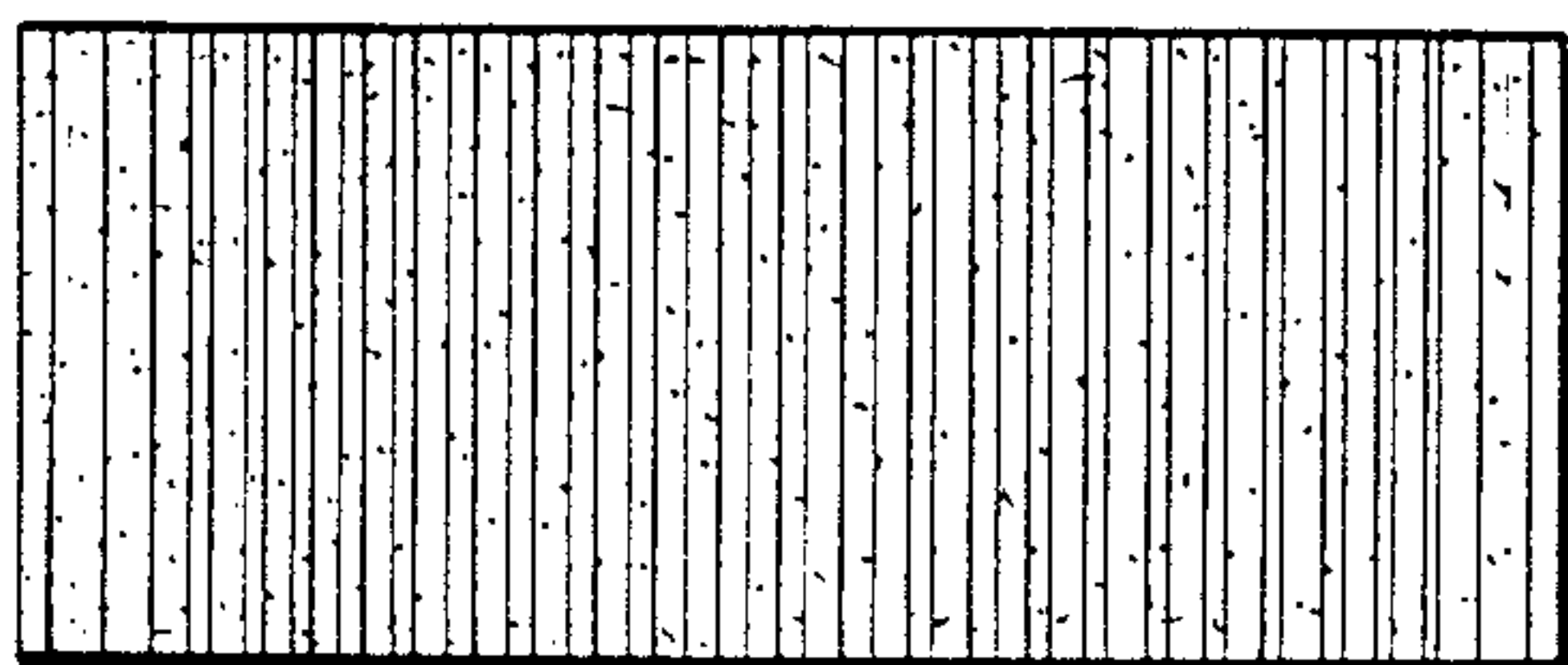


FIG. 4

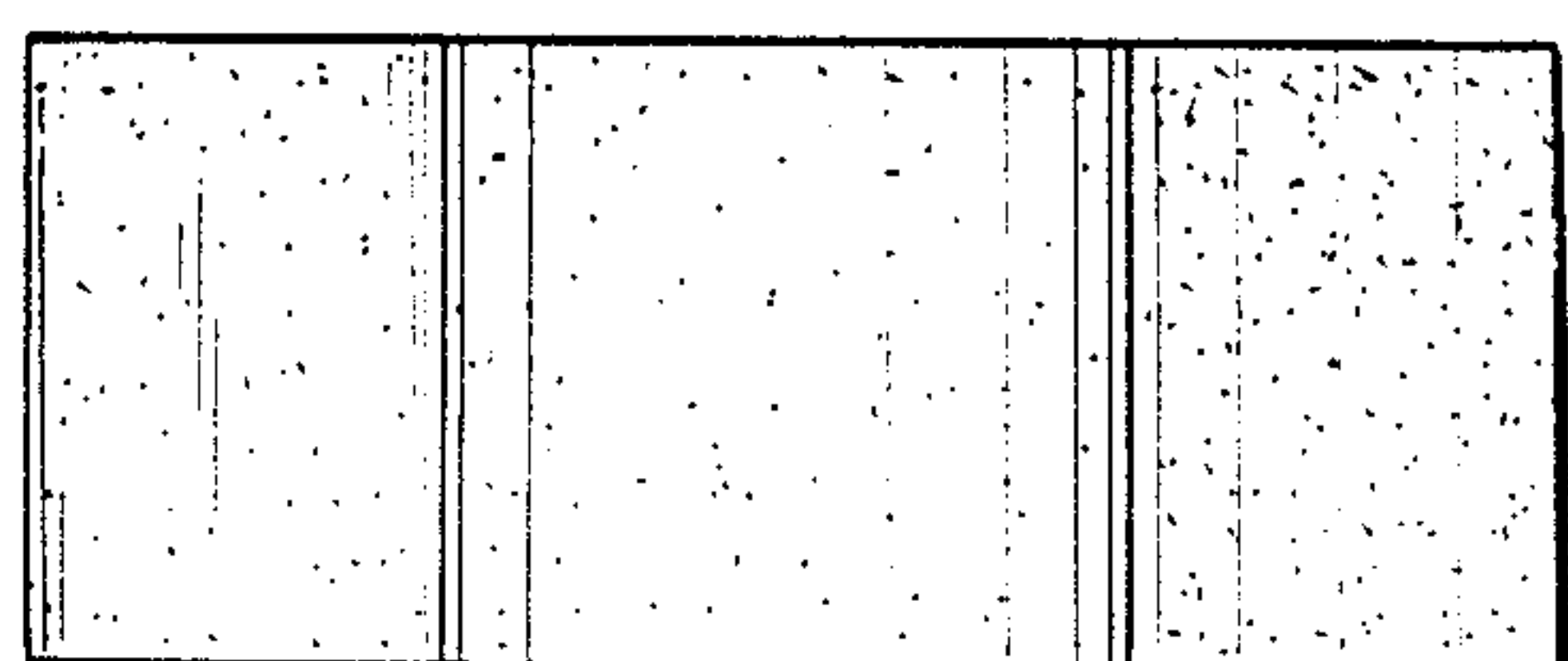


FIG. 5

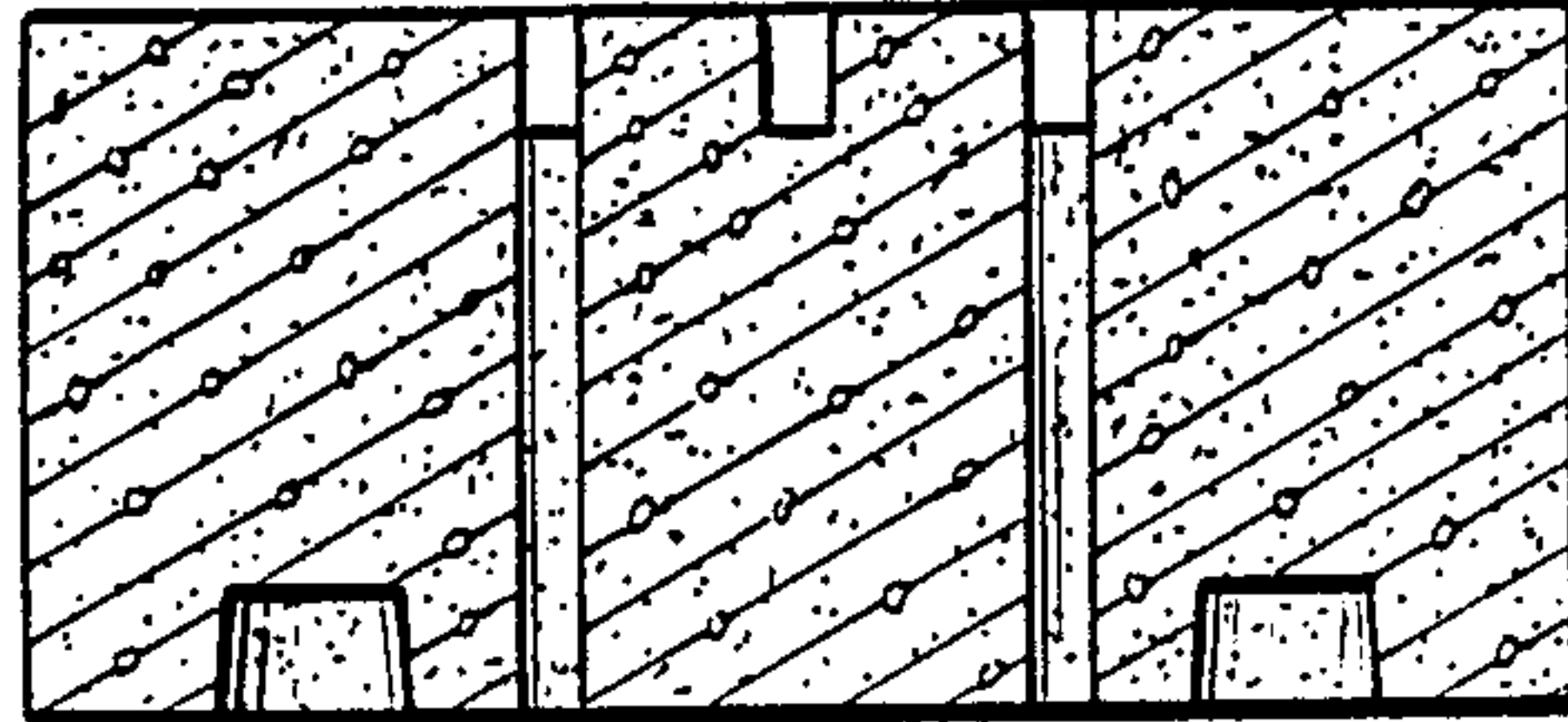


FIG. 6

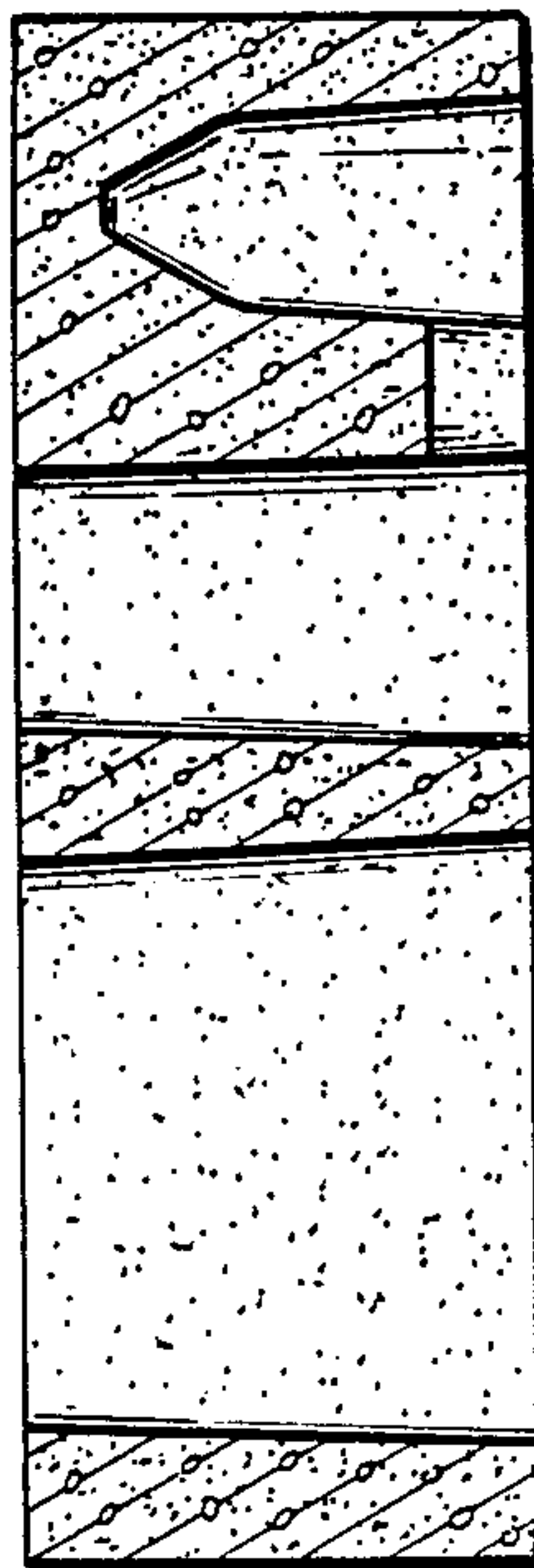


FIG. 7

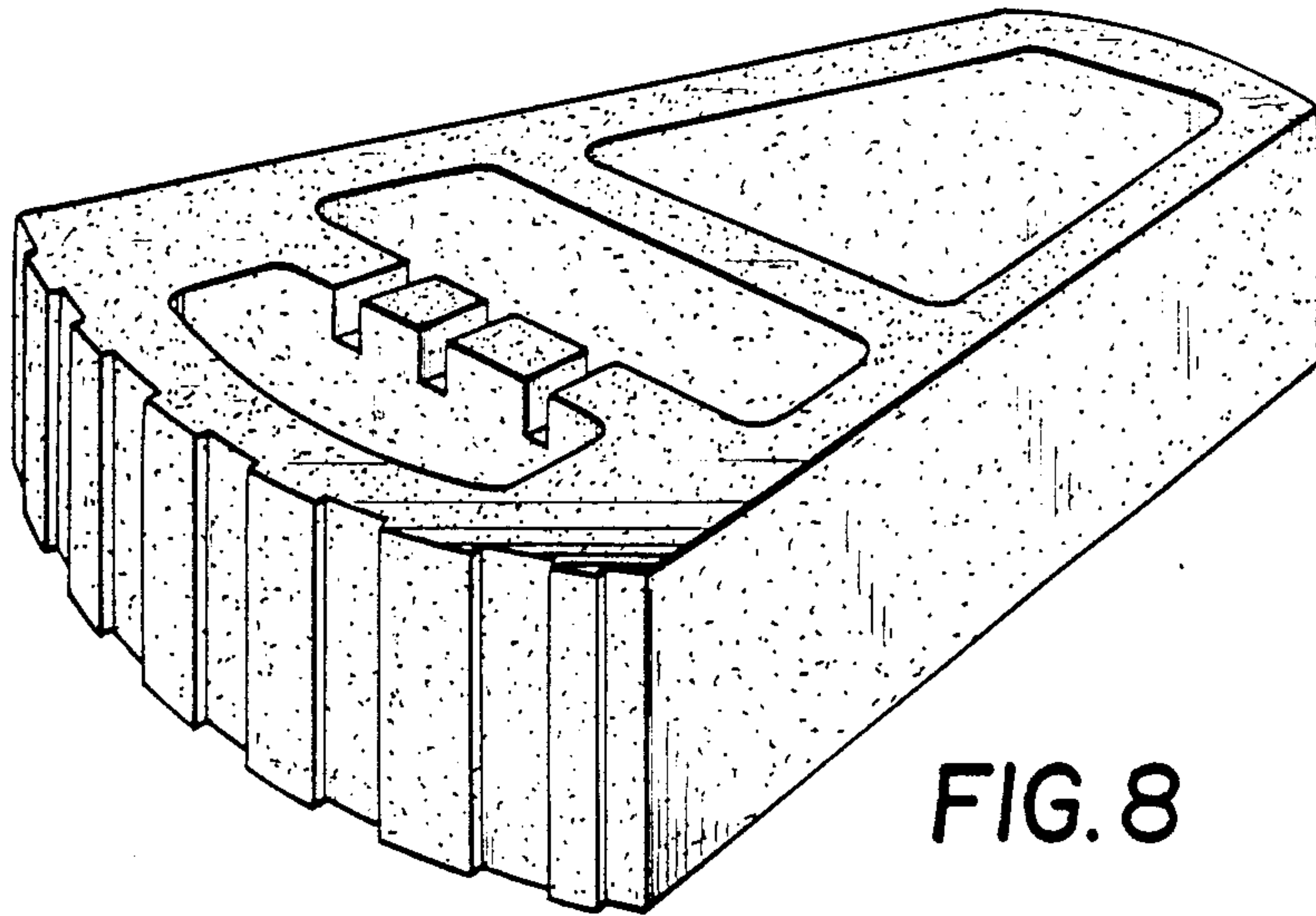


FIG. 8

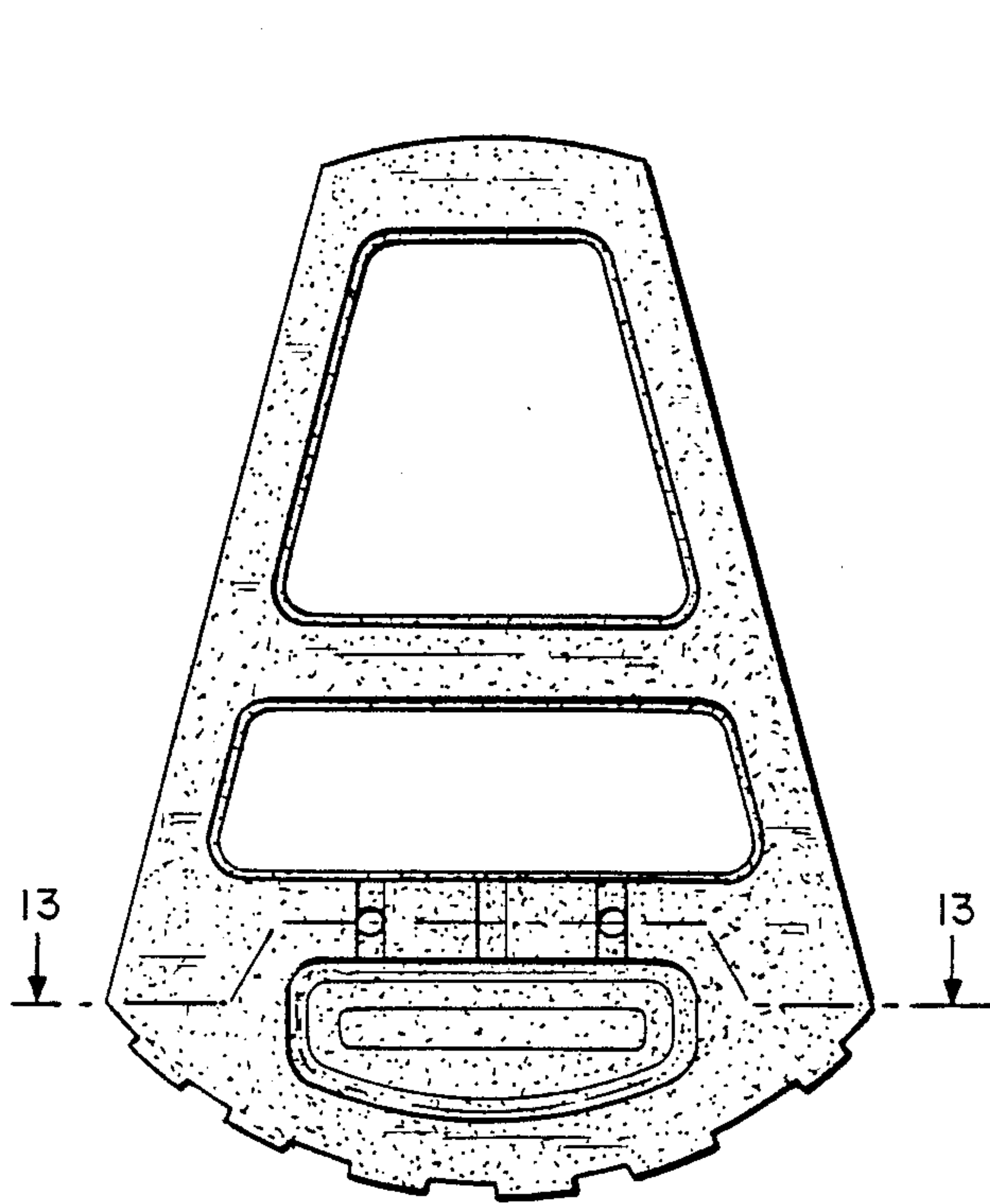


FIG. 9

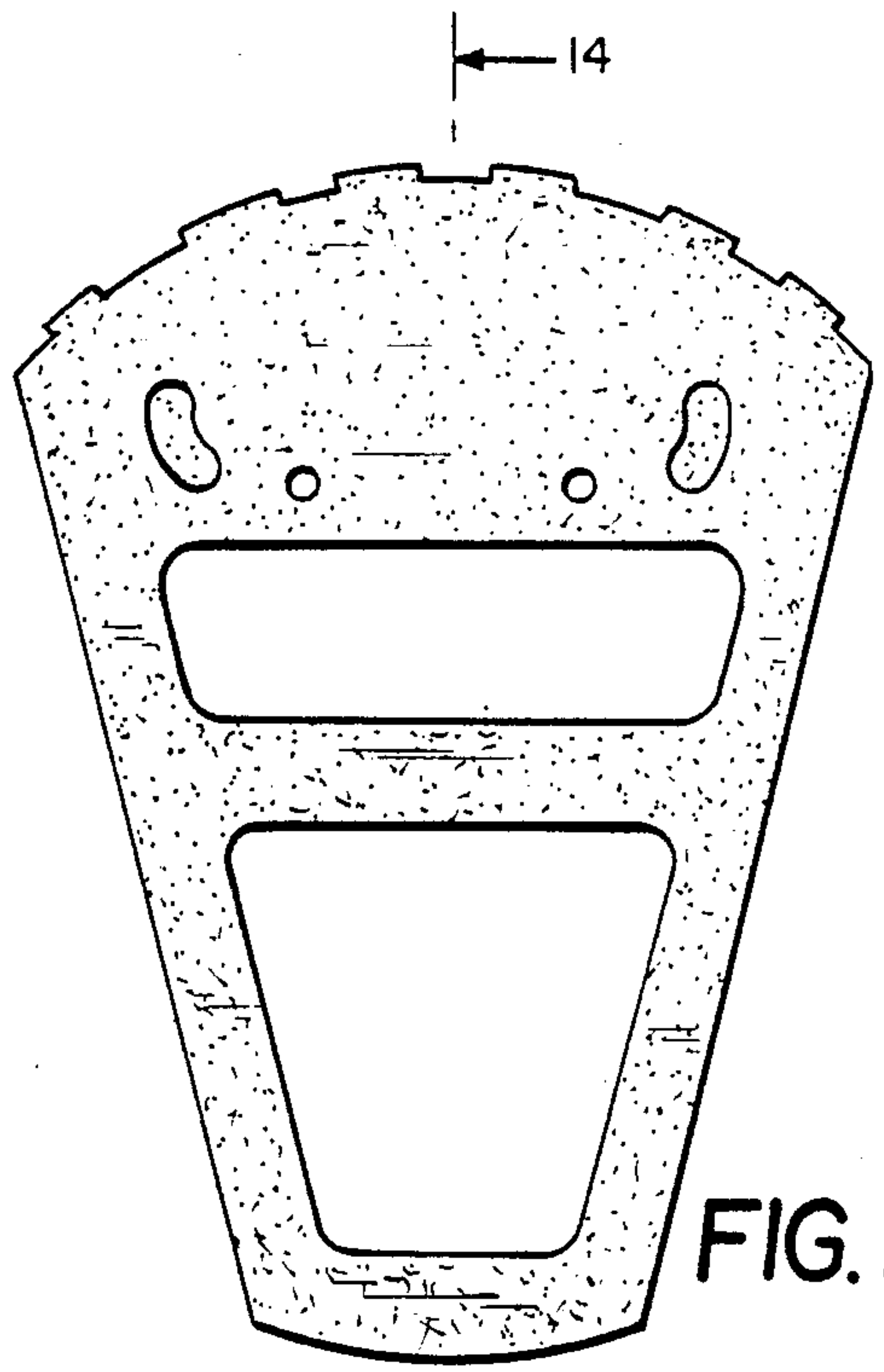


FIG. 10

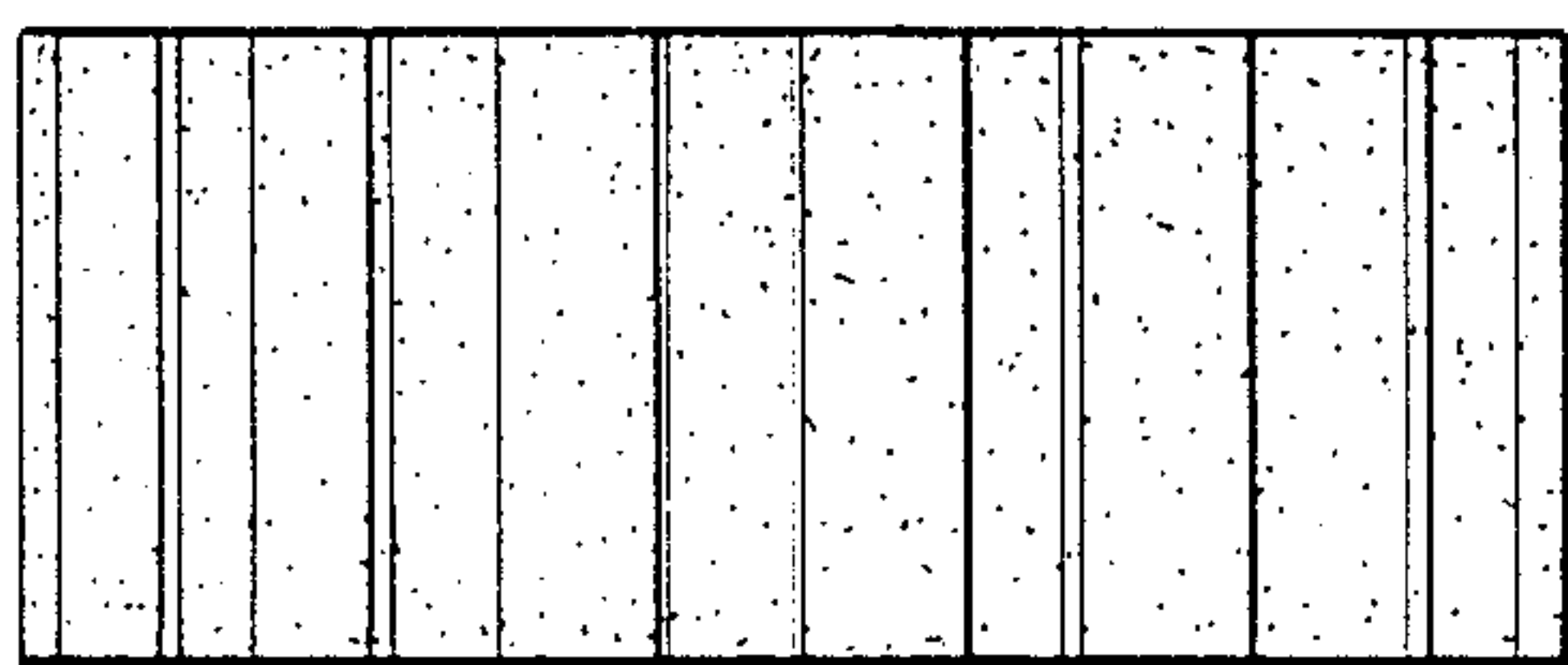


FIG. 11

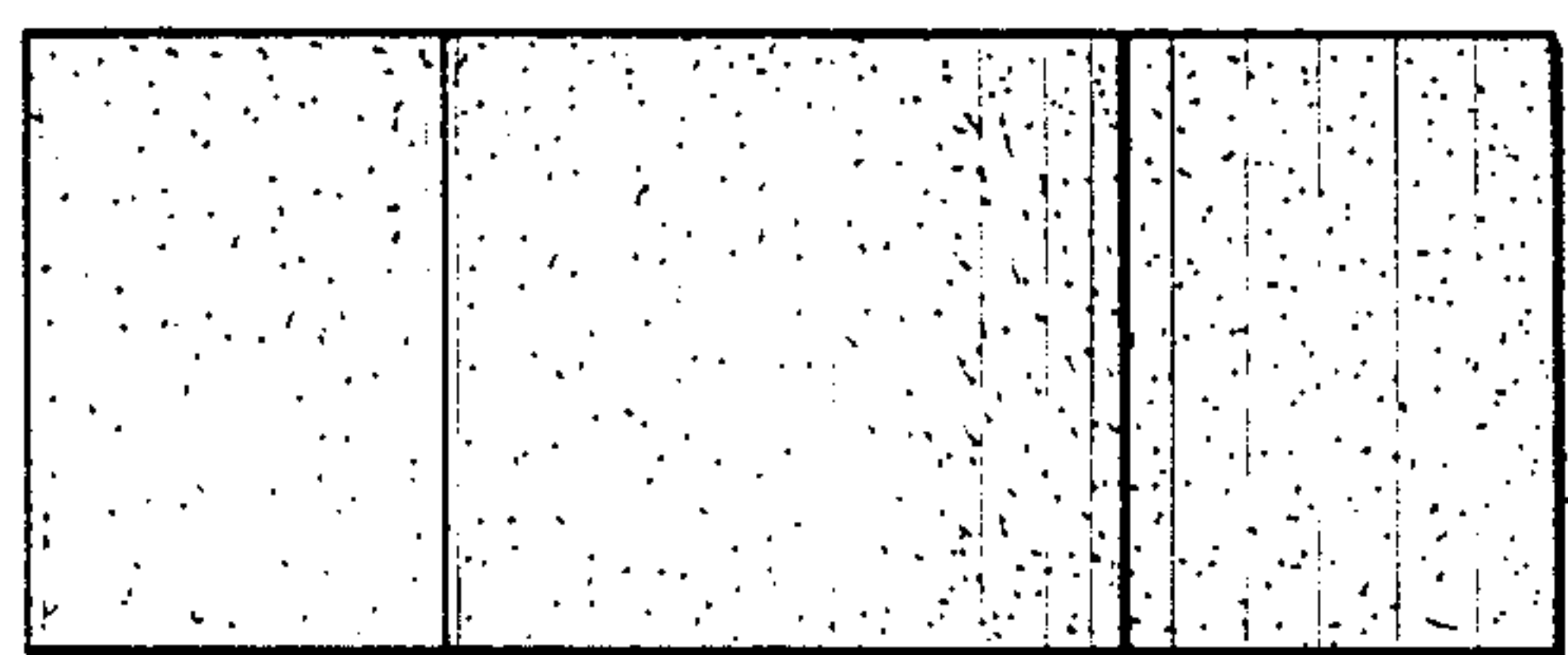


FIG. 12

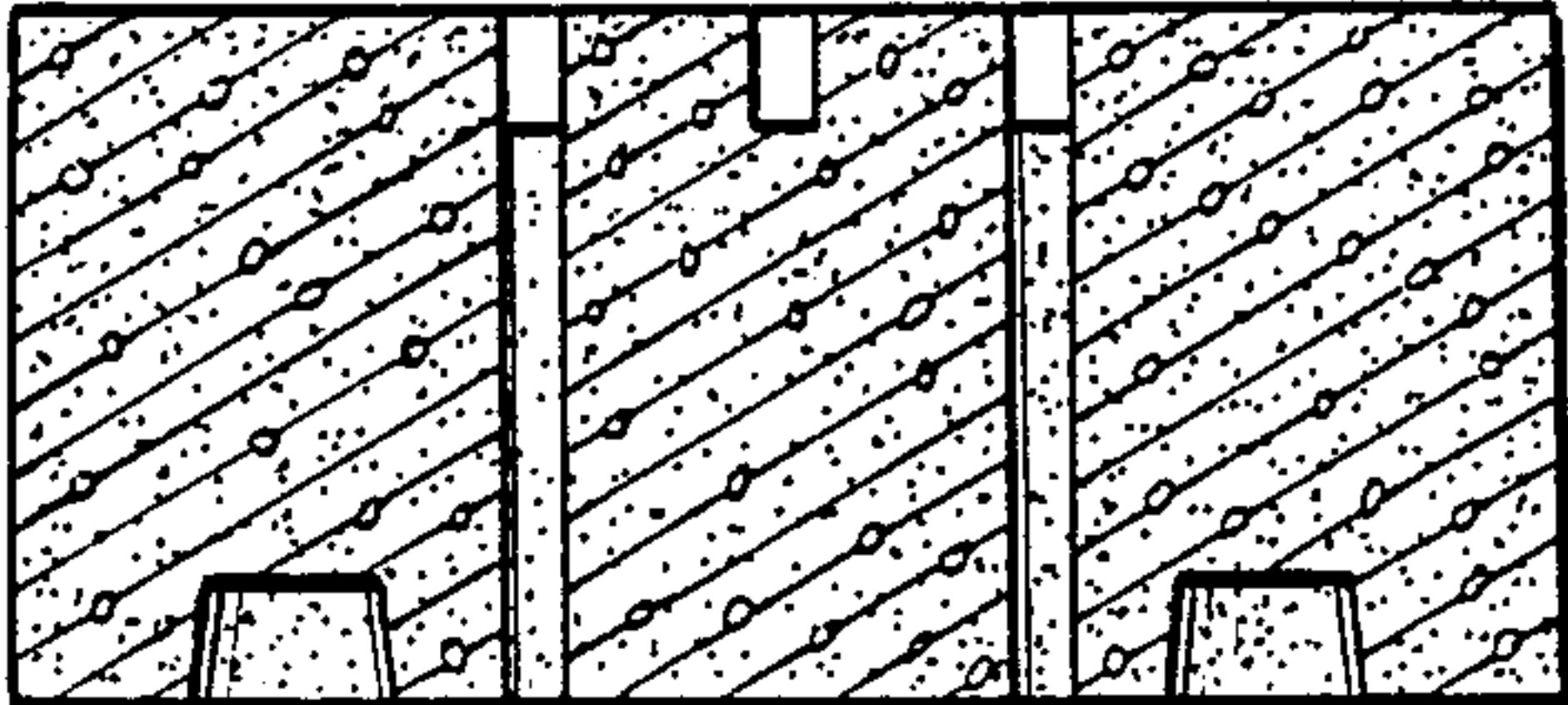


FIG. 13

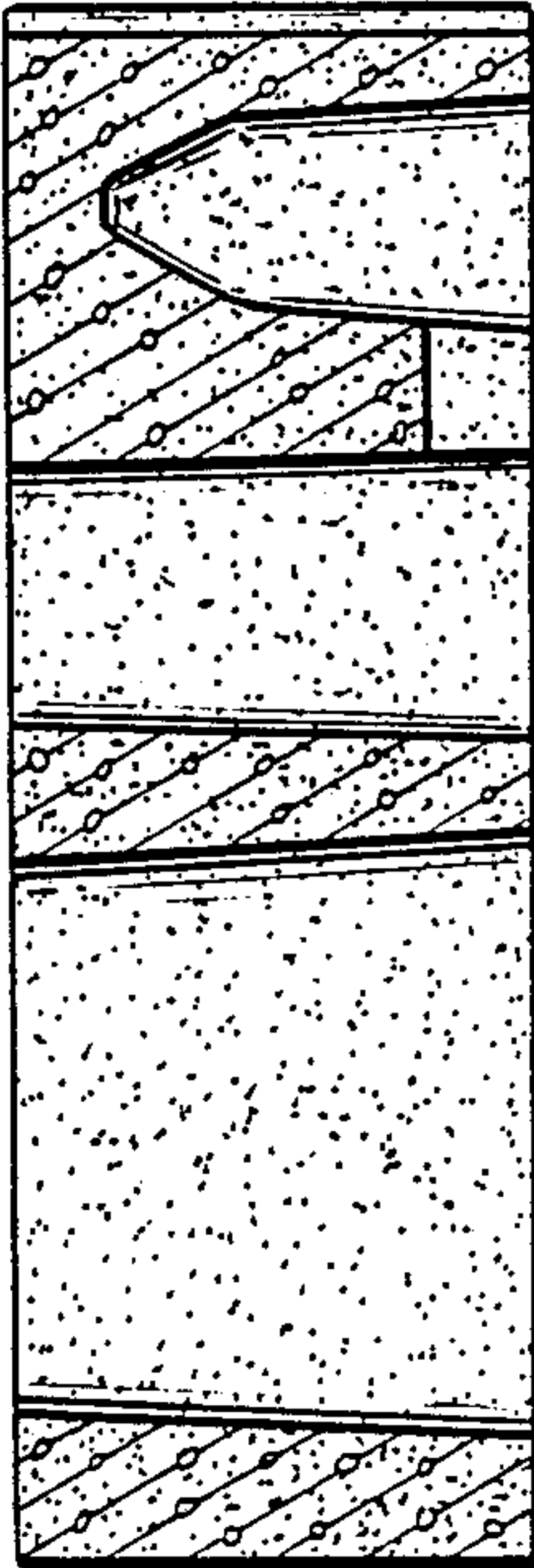


FIG. 14

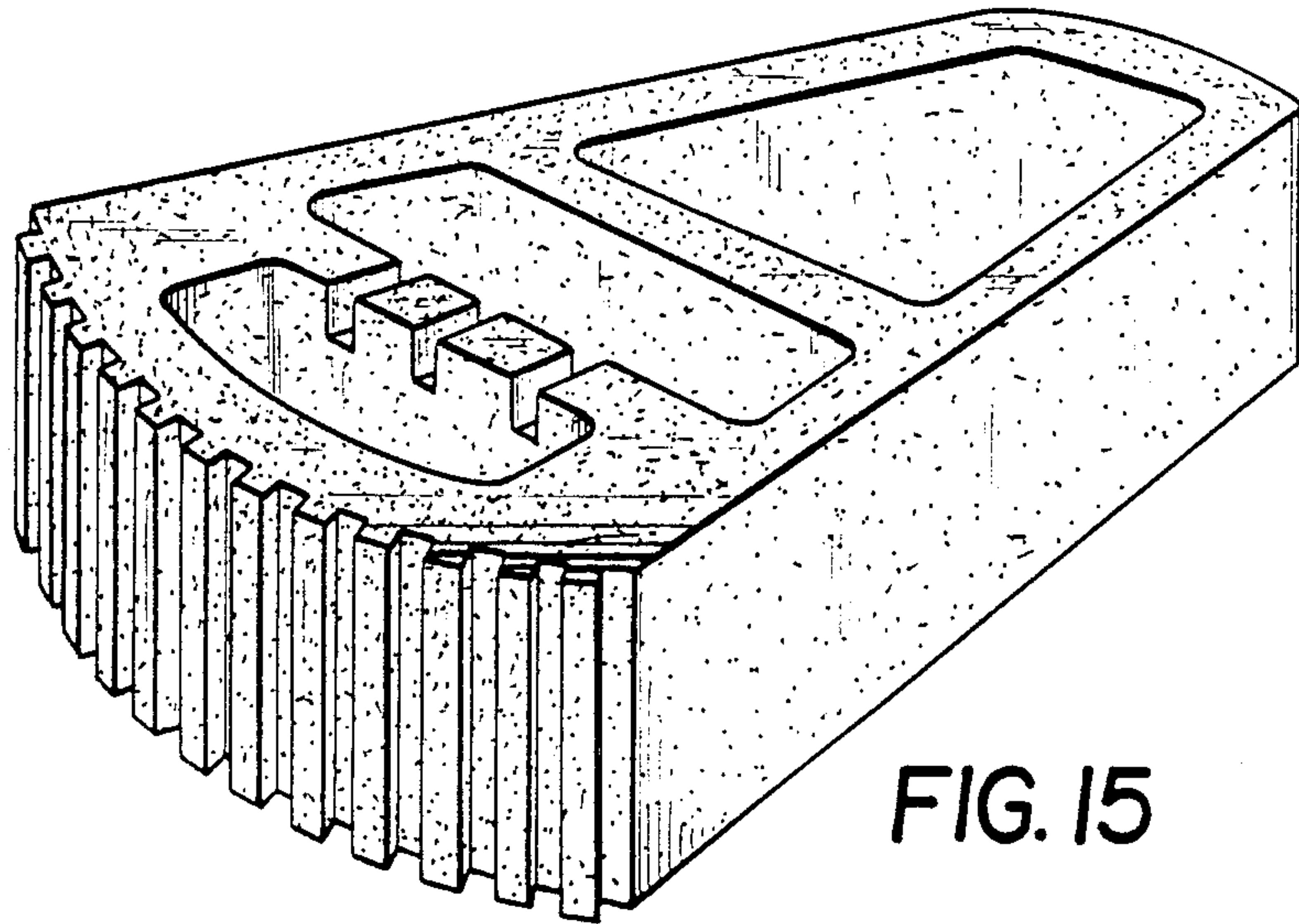


FIG. 15

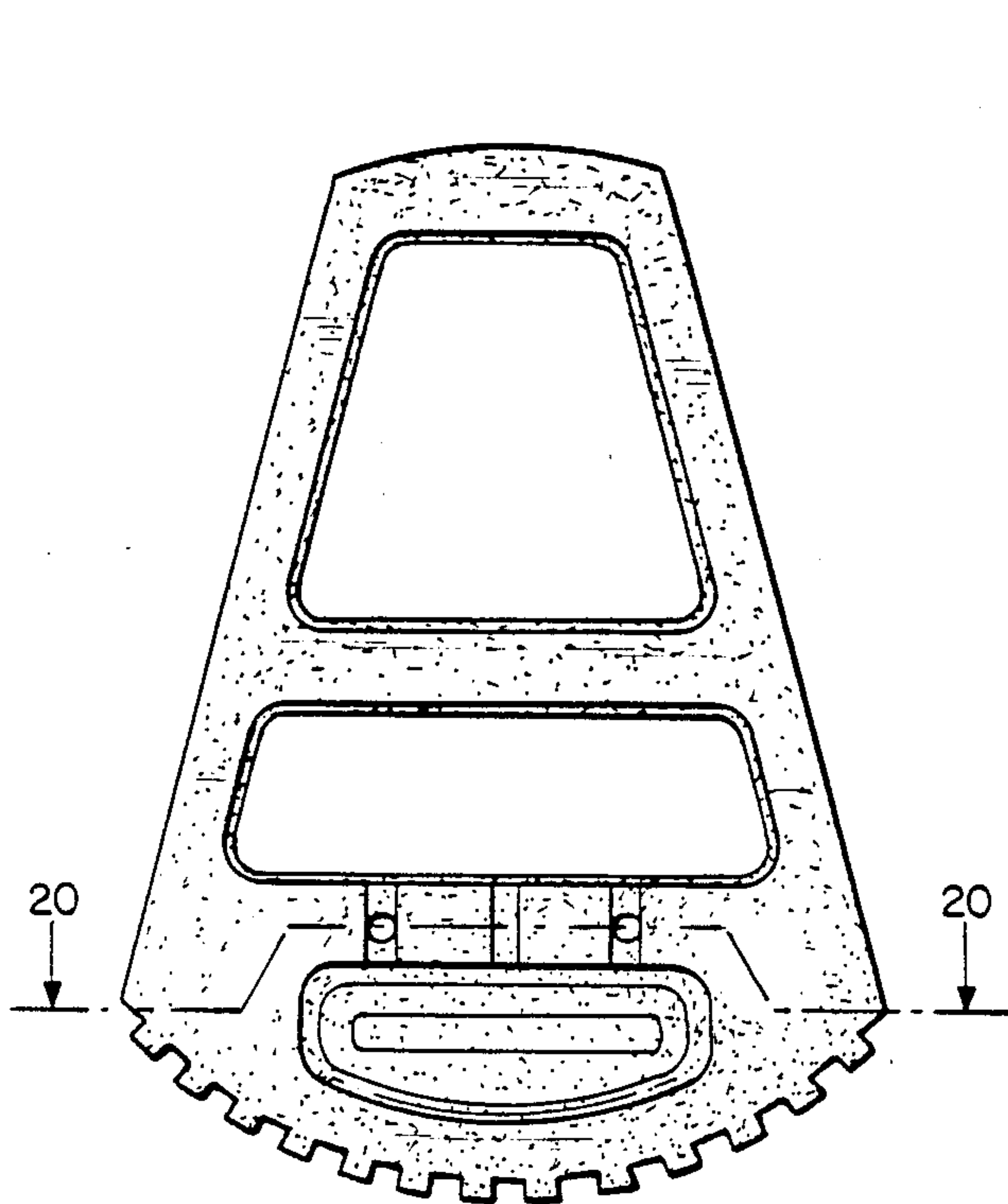


FIG. 16

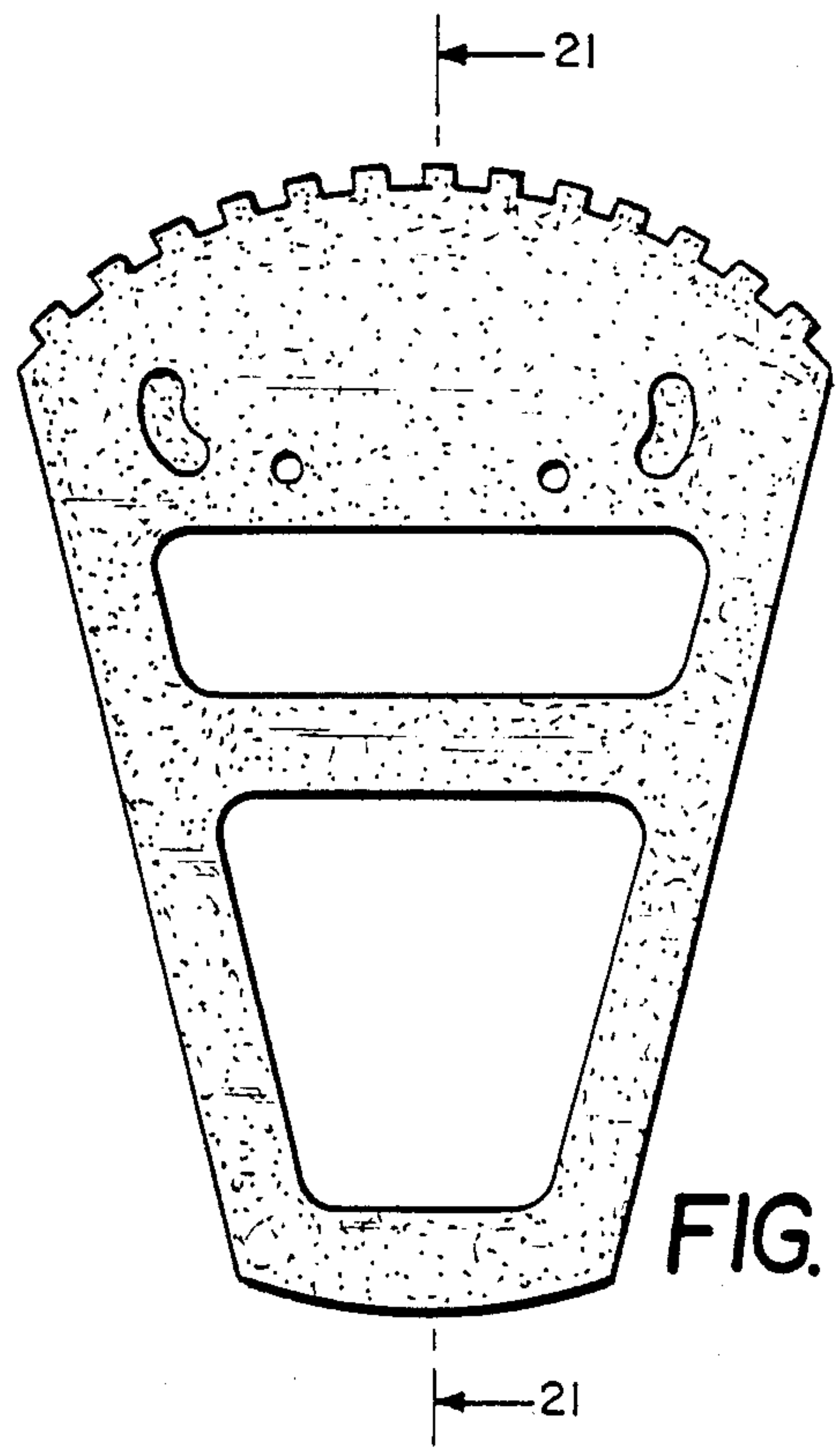


FIG. 17

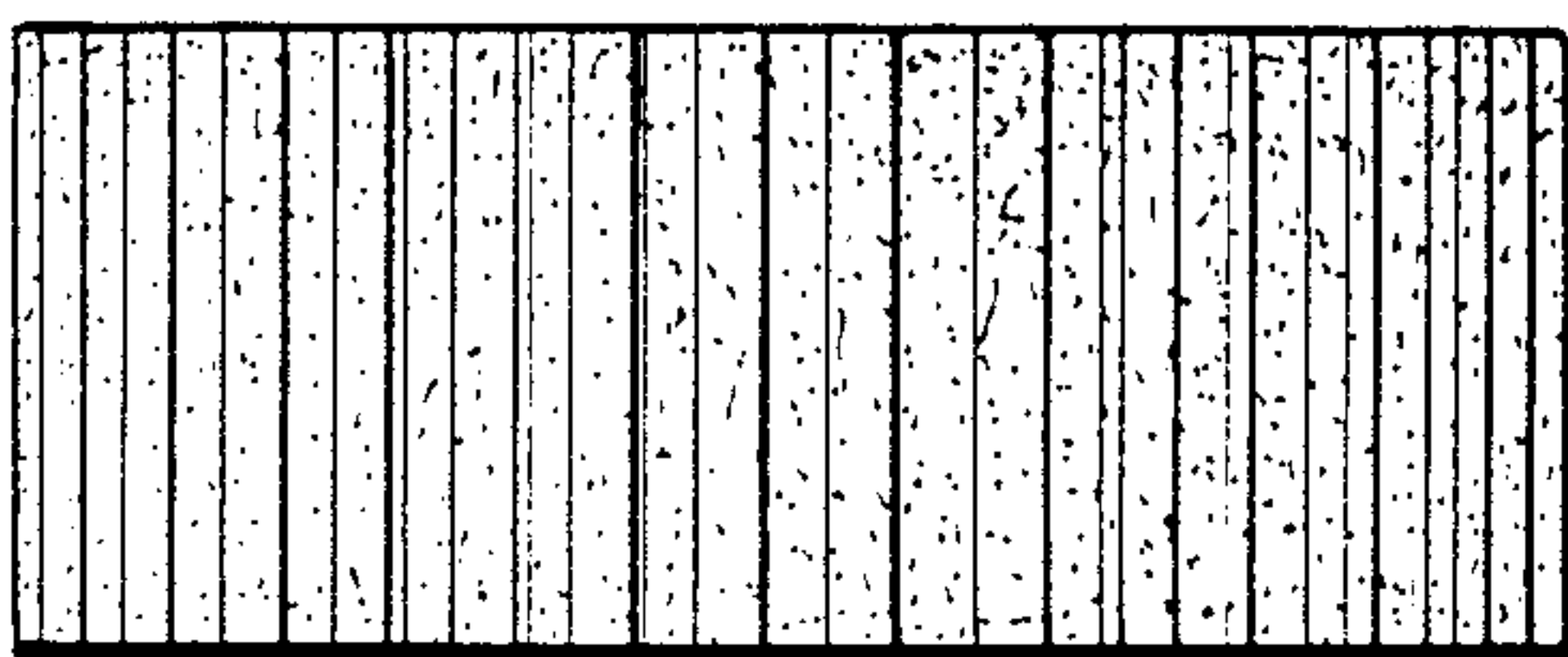


FIG. 18

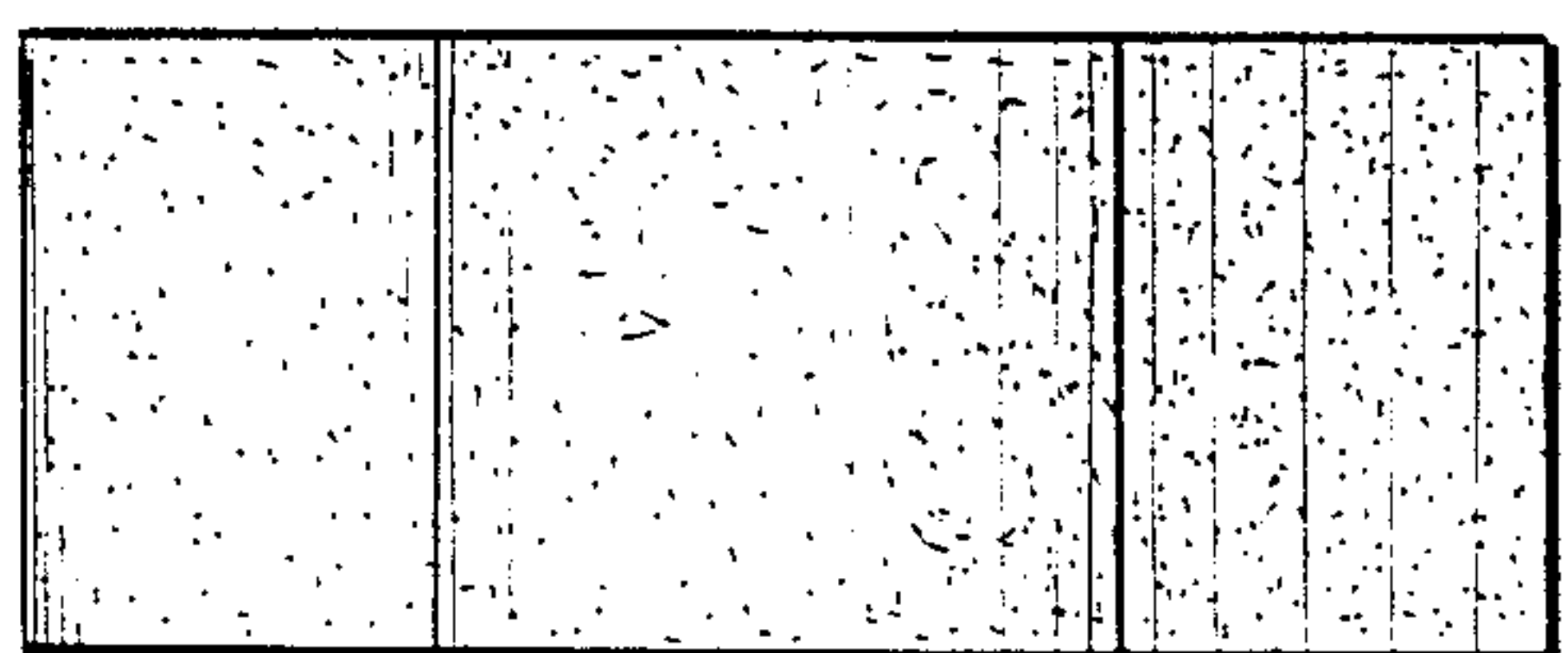


FIG. 19

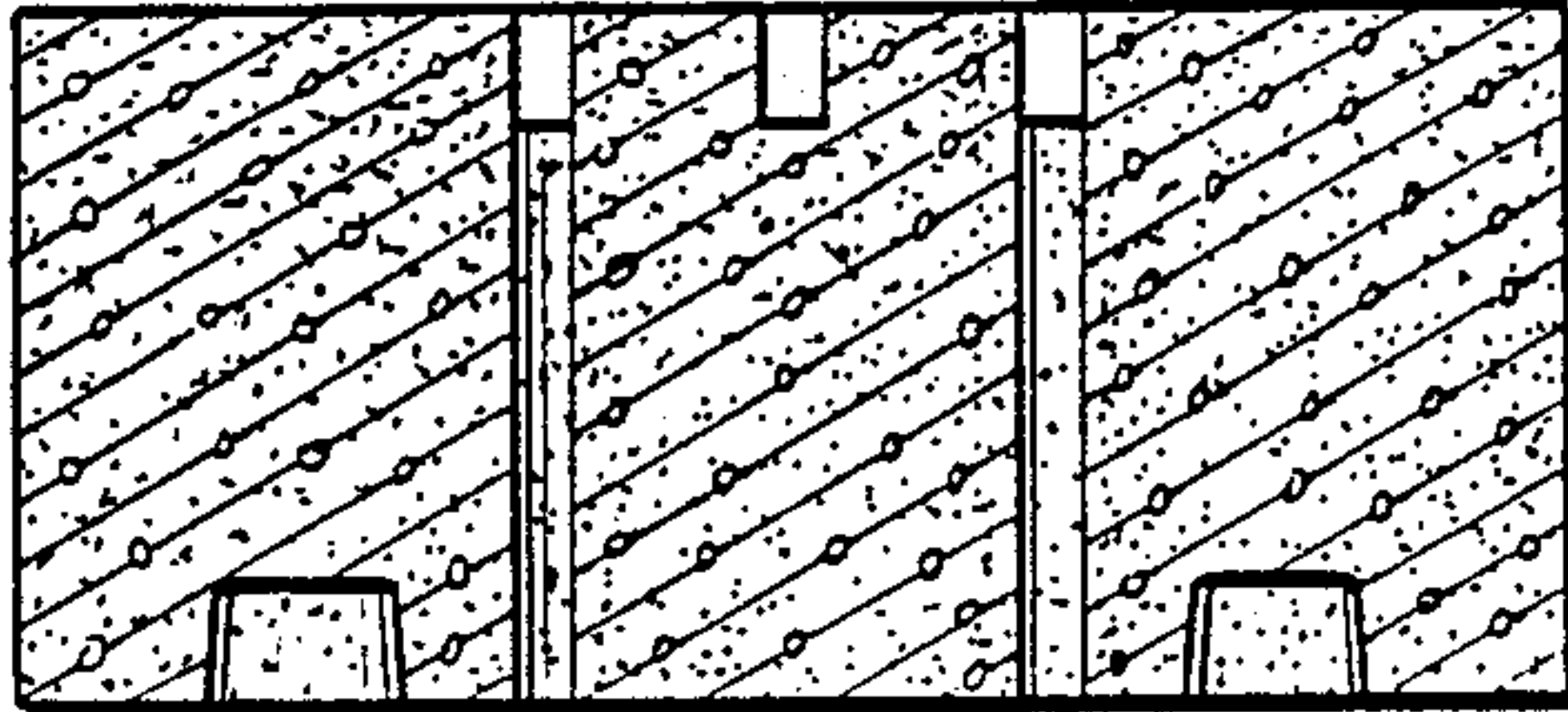


FIG. 20

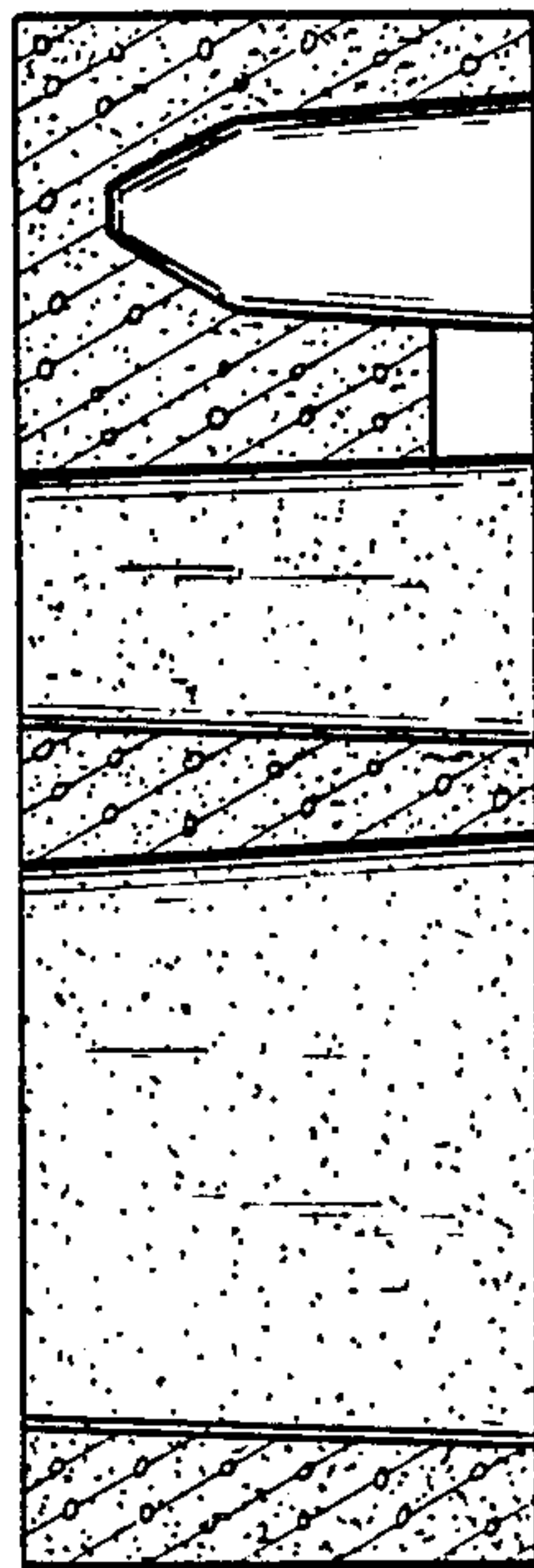


FIG. 21

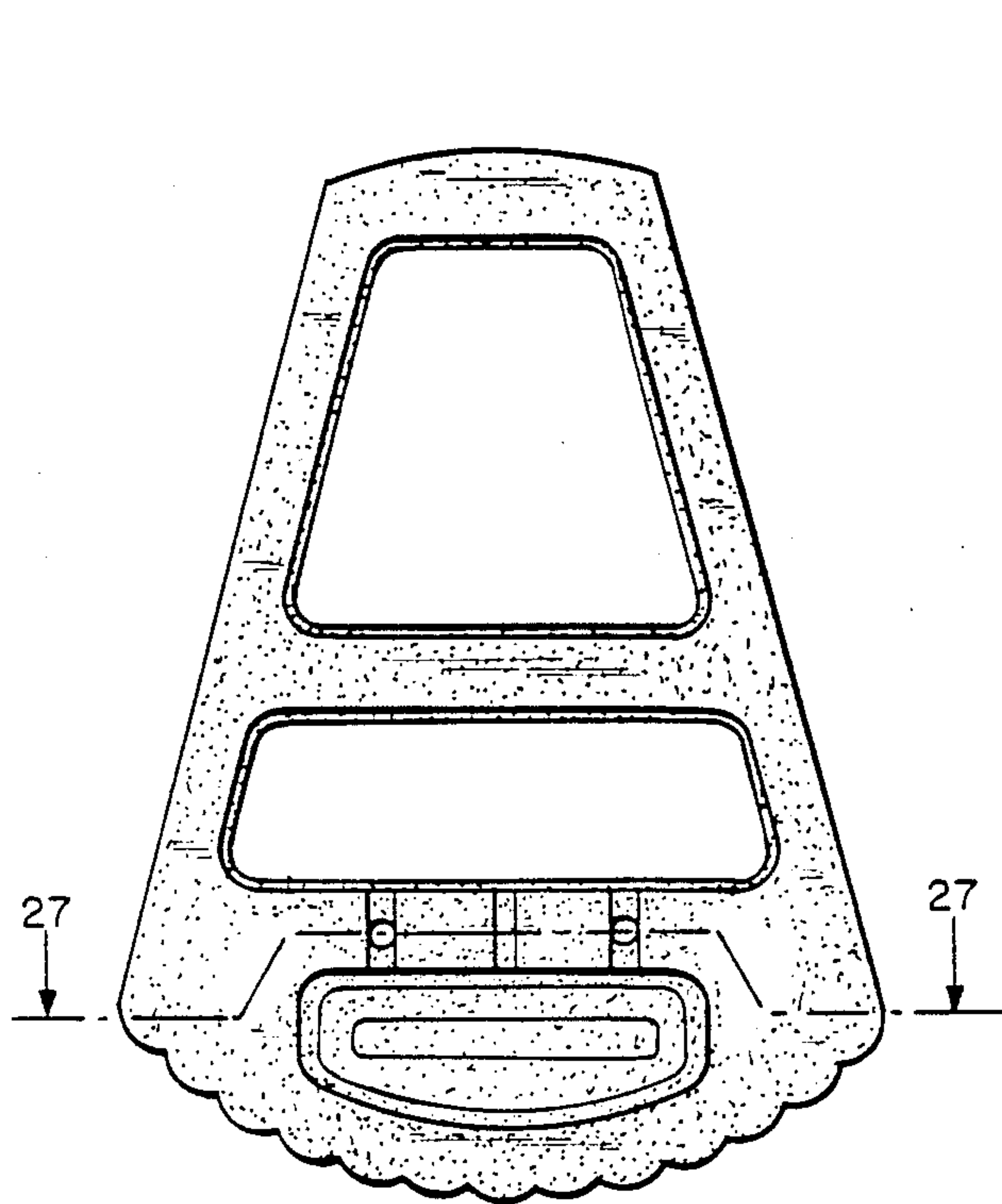
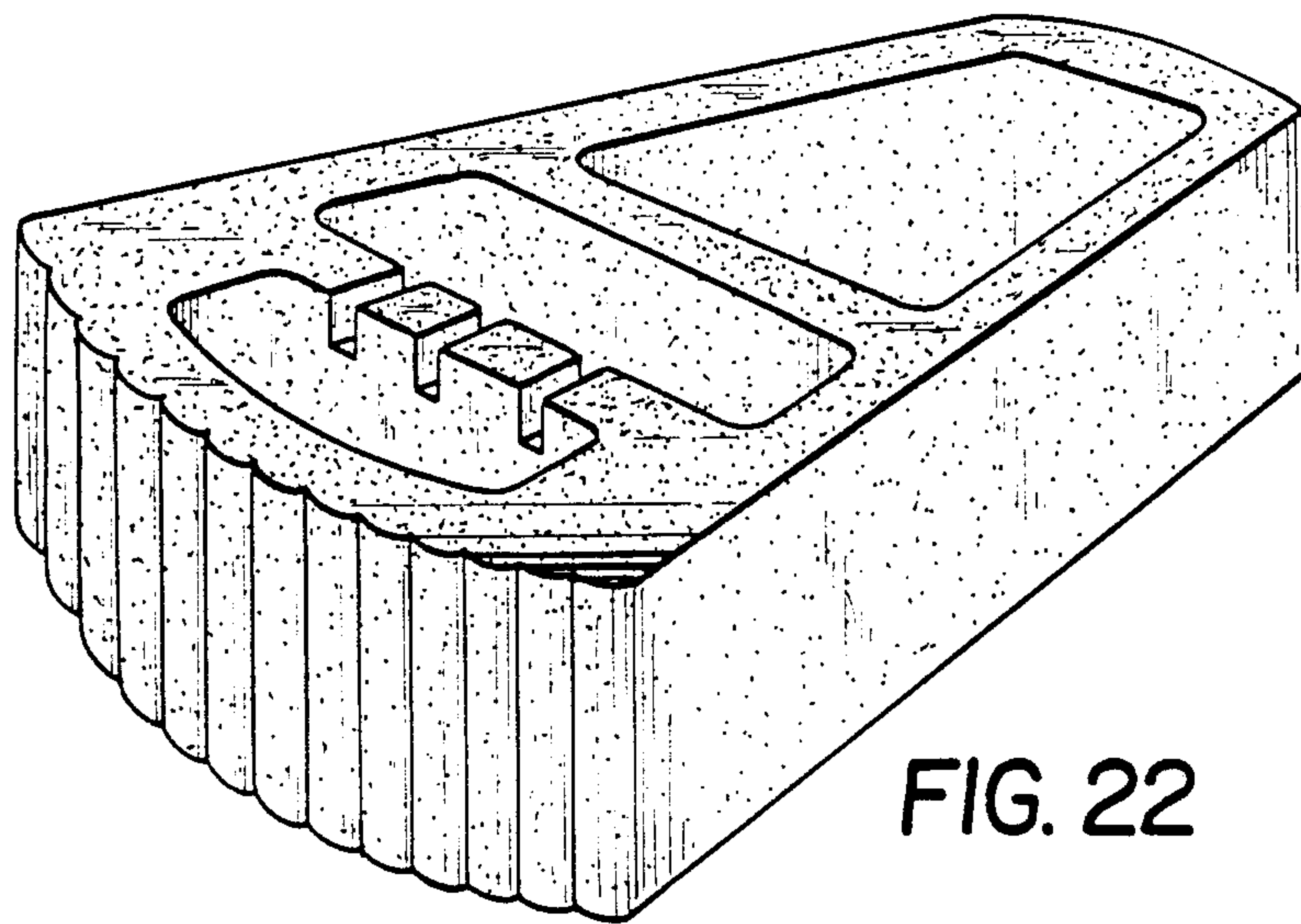


FIG. 23

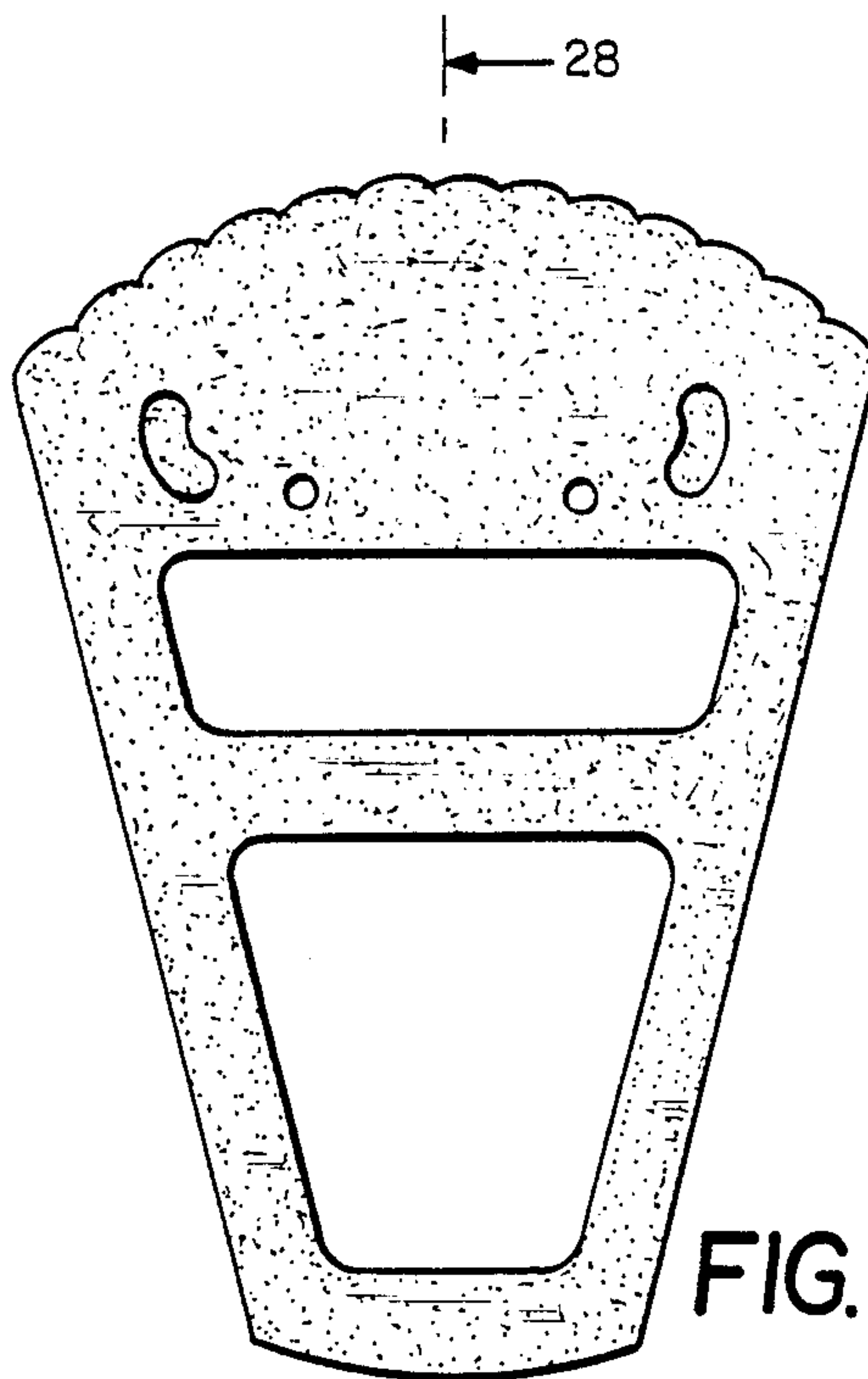


FIG. 24

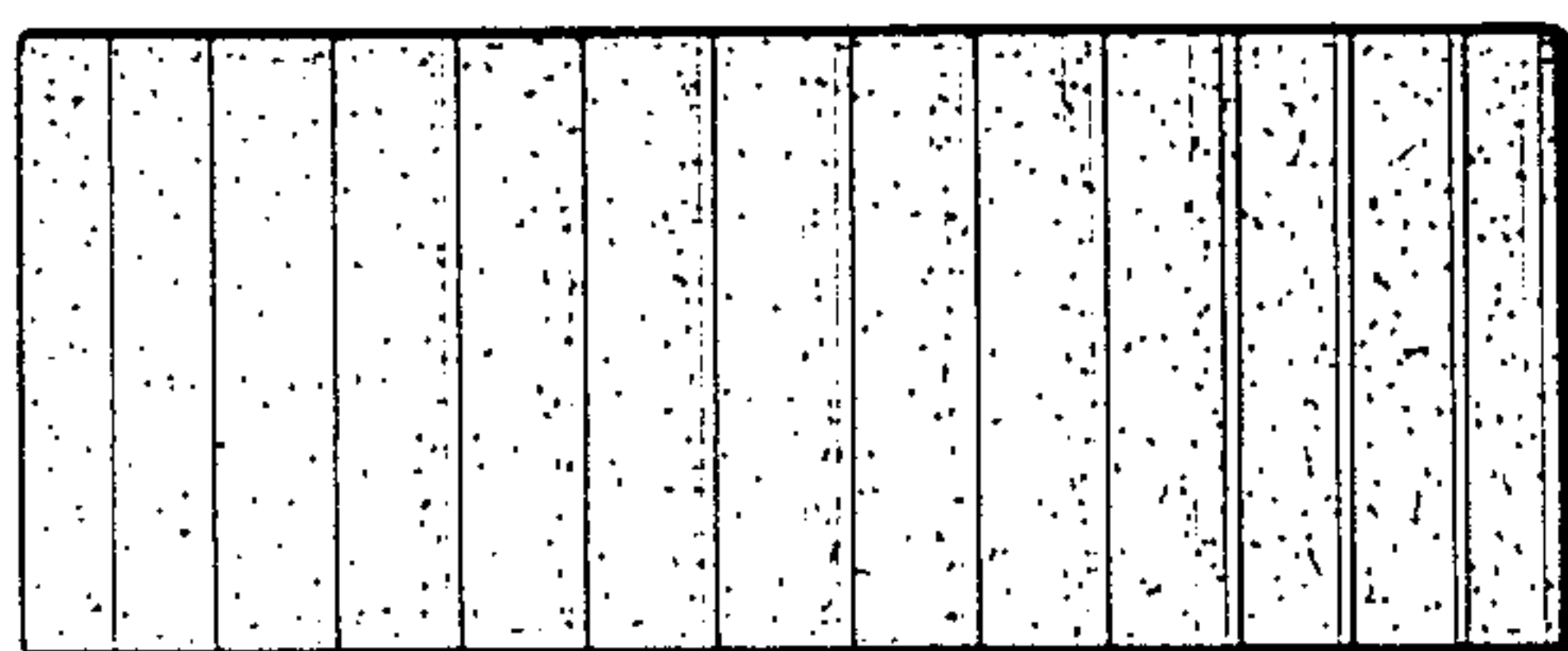


FIG. 25

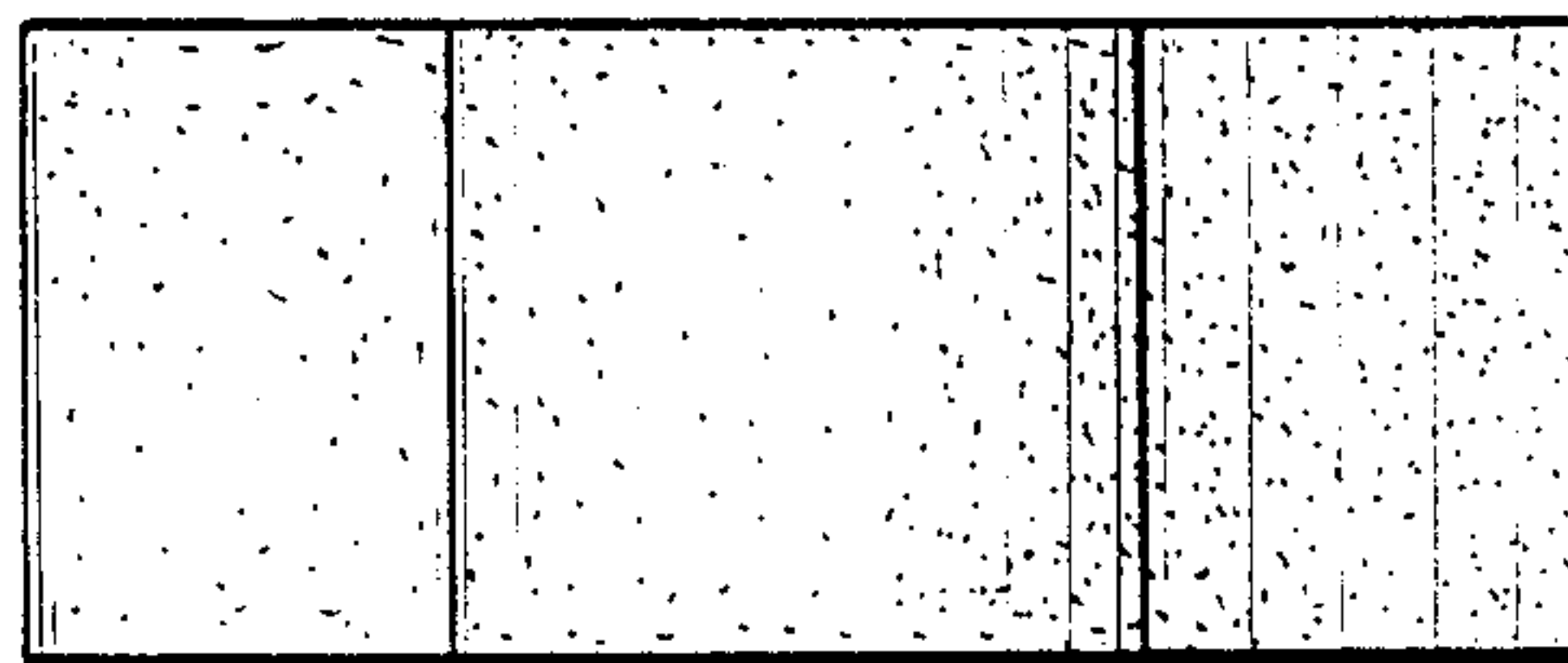


FIG. 26

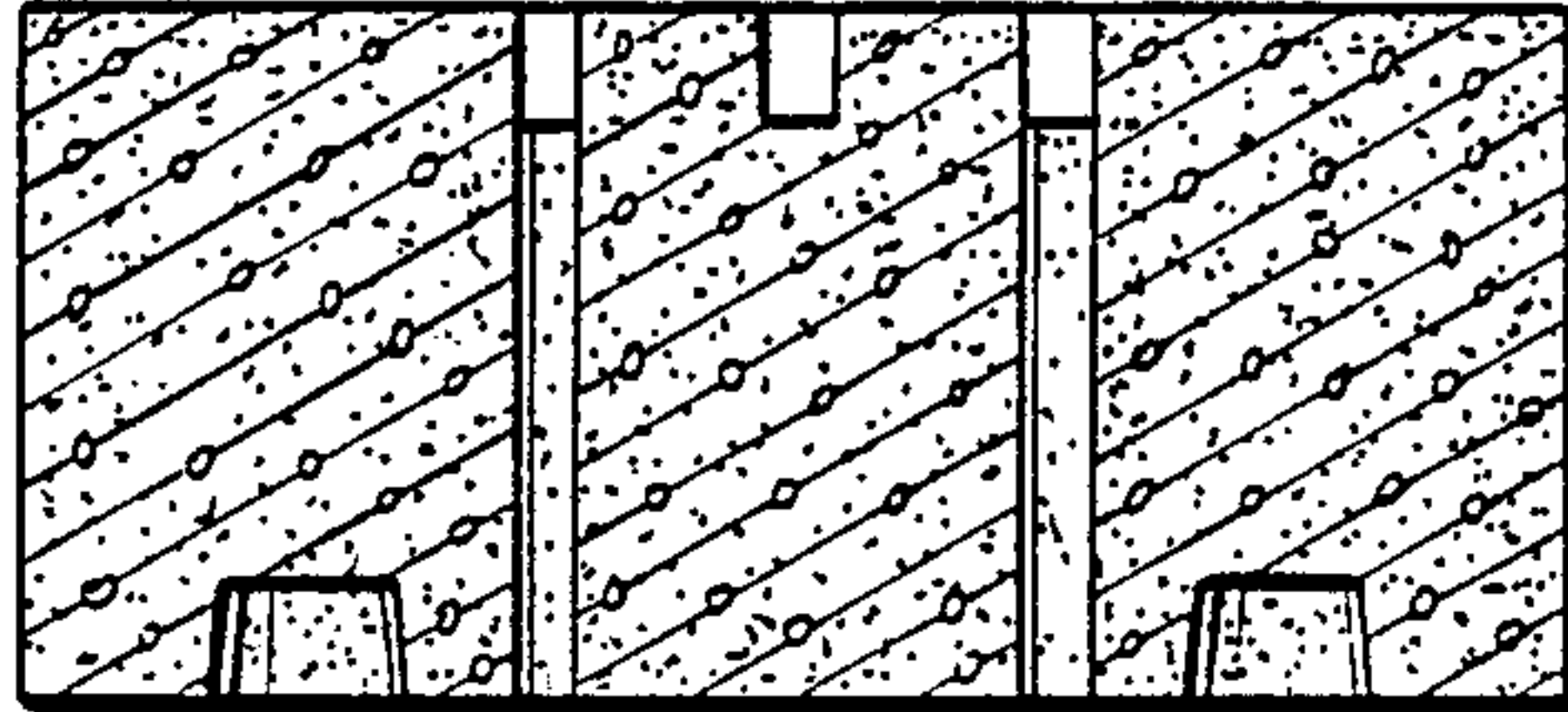


FIG. 27

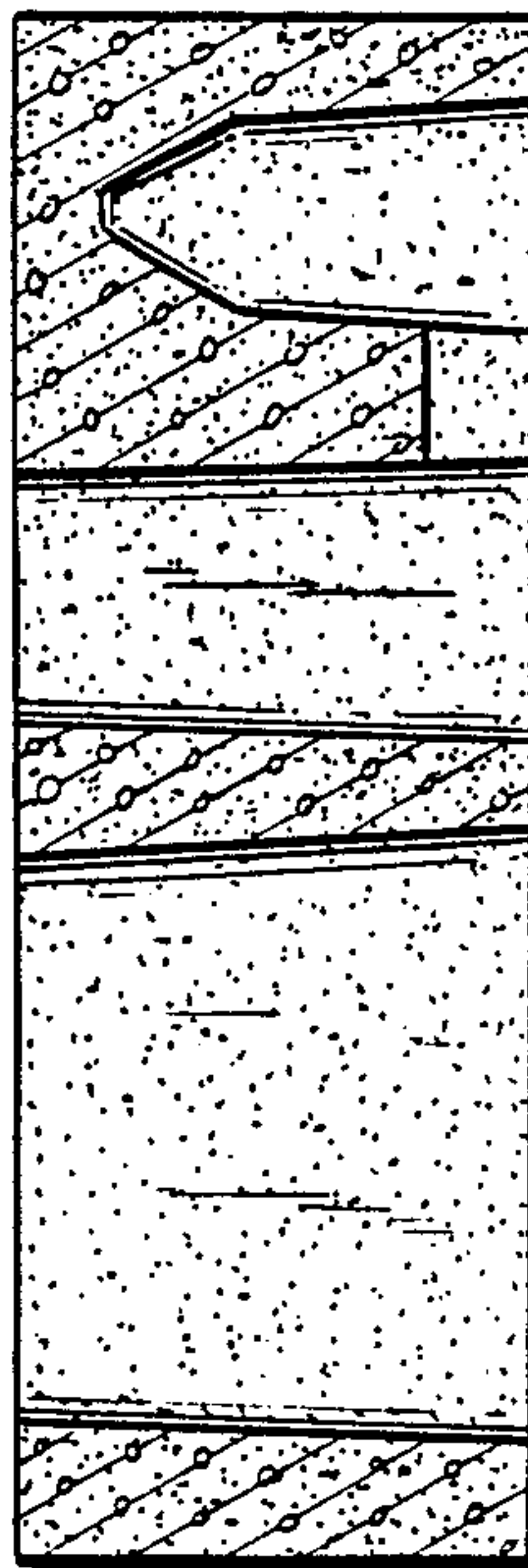


FIG. 28

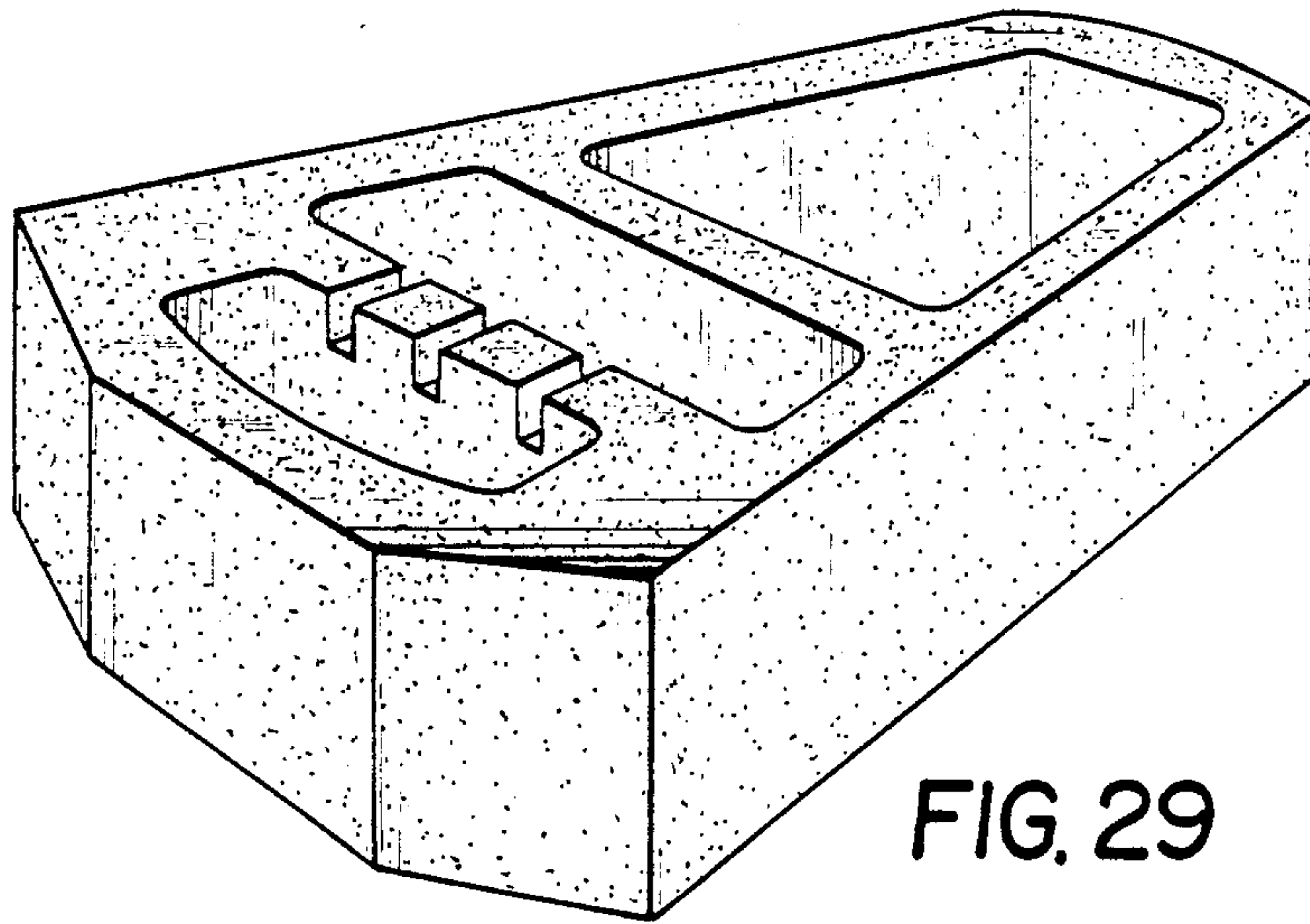


FIG. 29

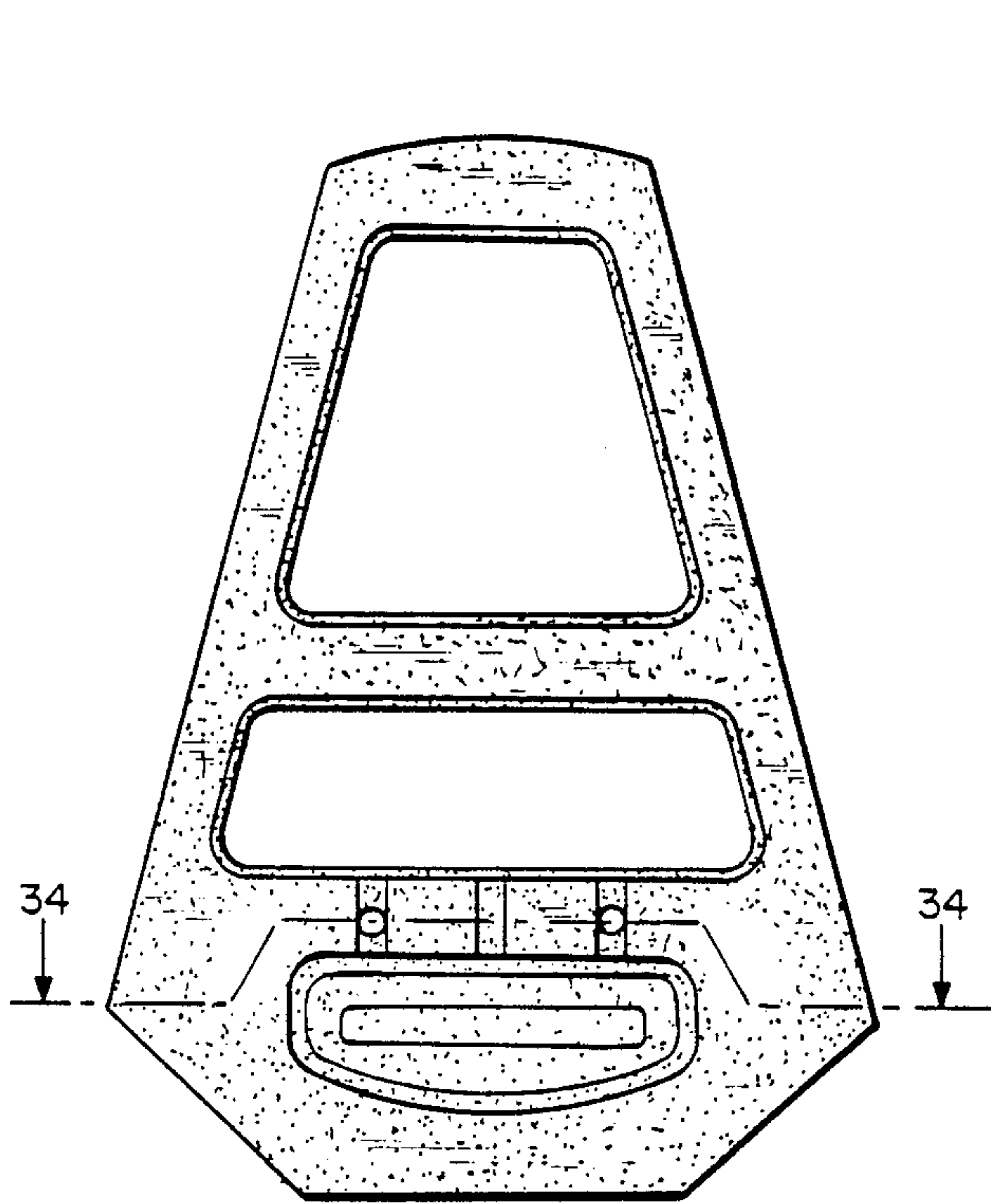


FIG. 30

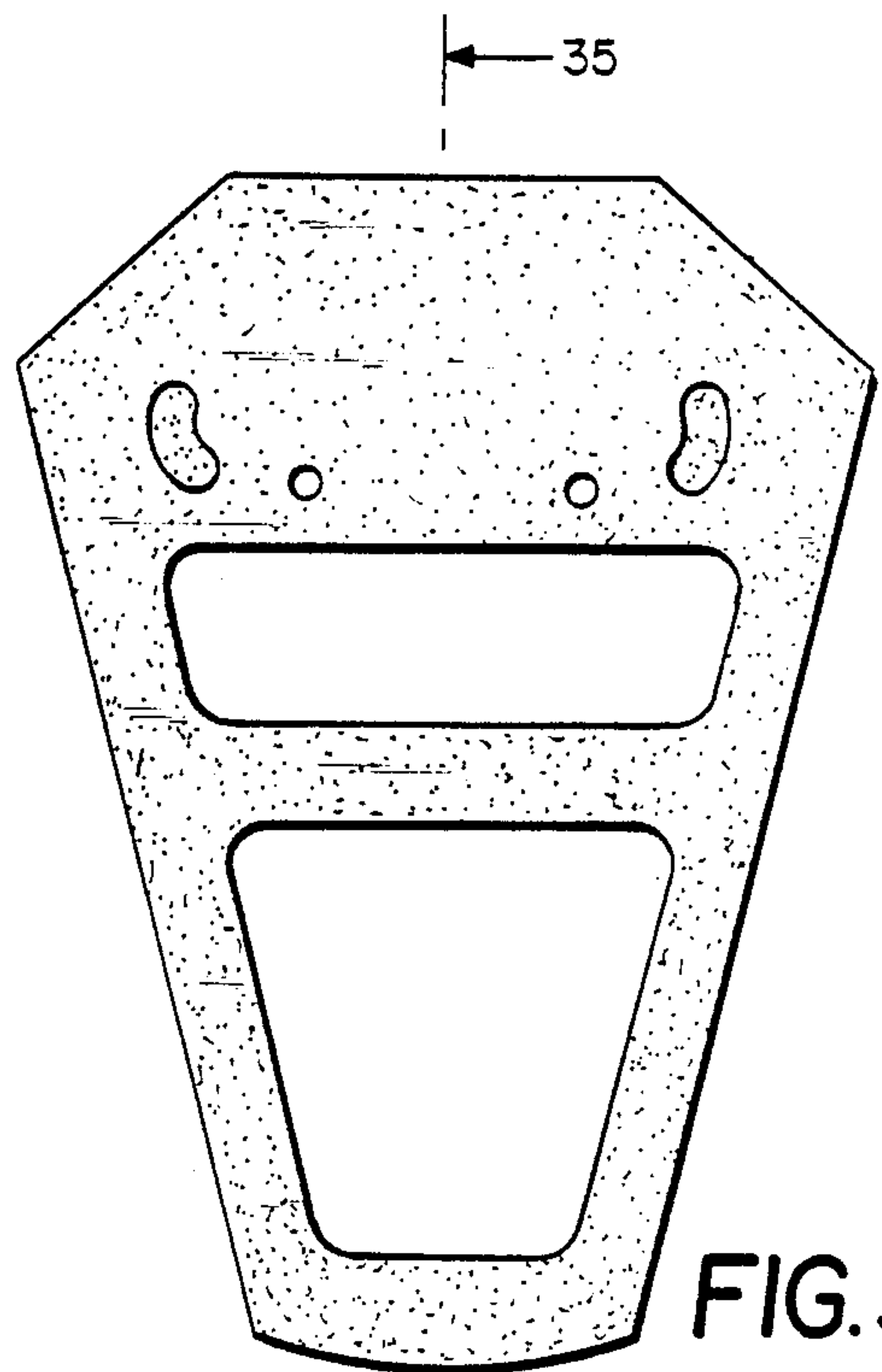


FIG. 31

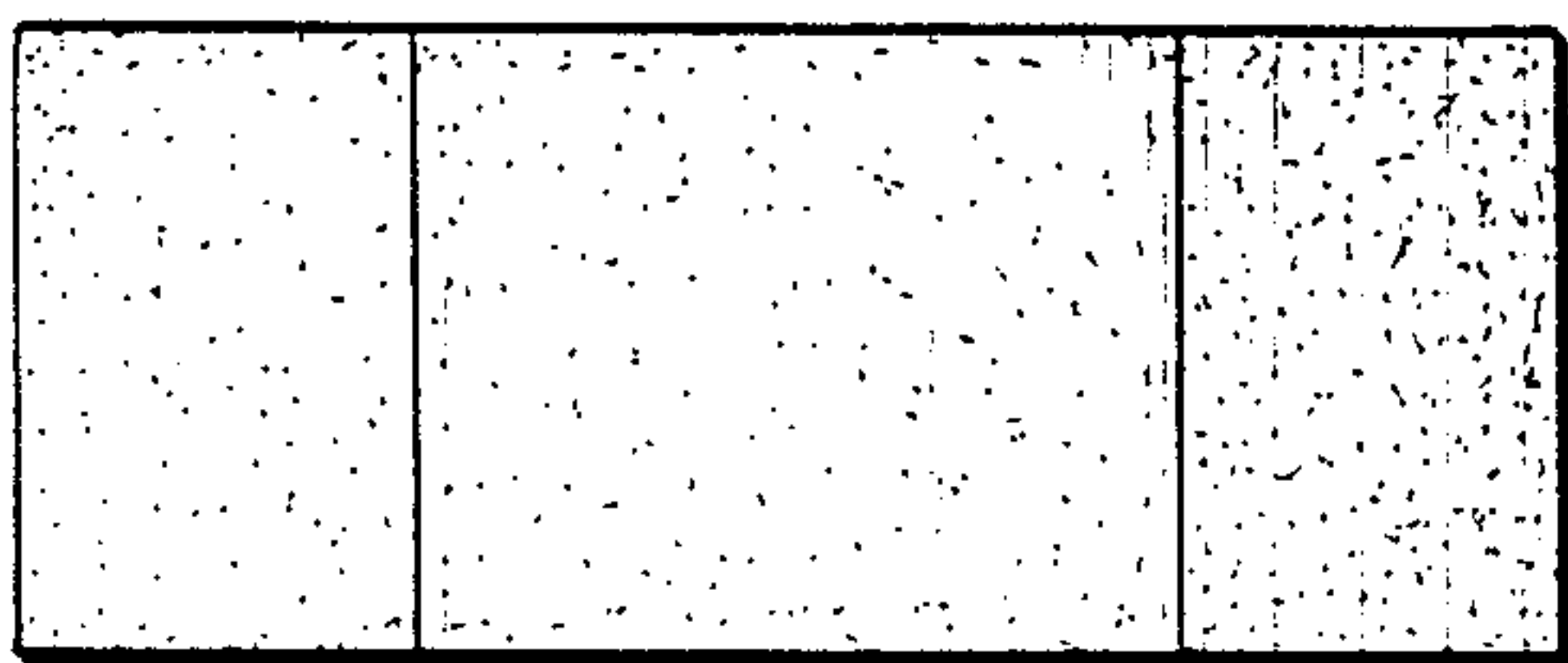


FIG. 32

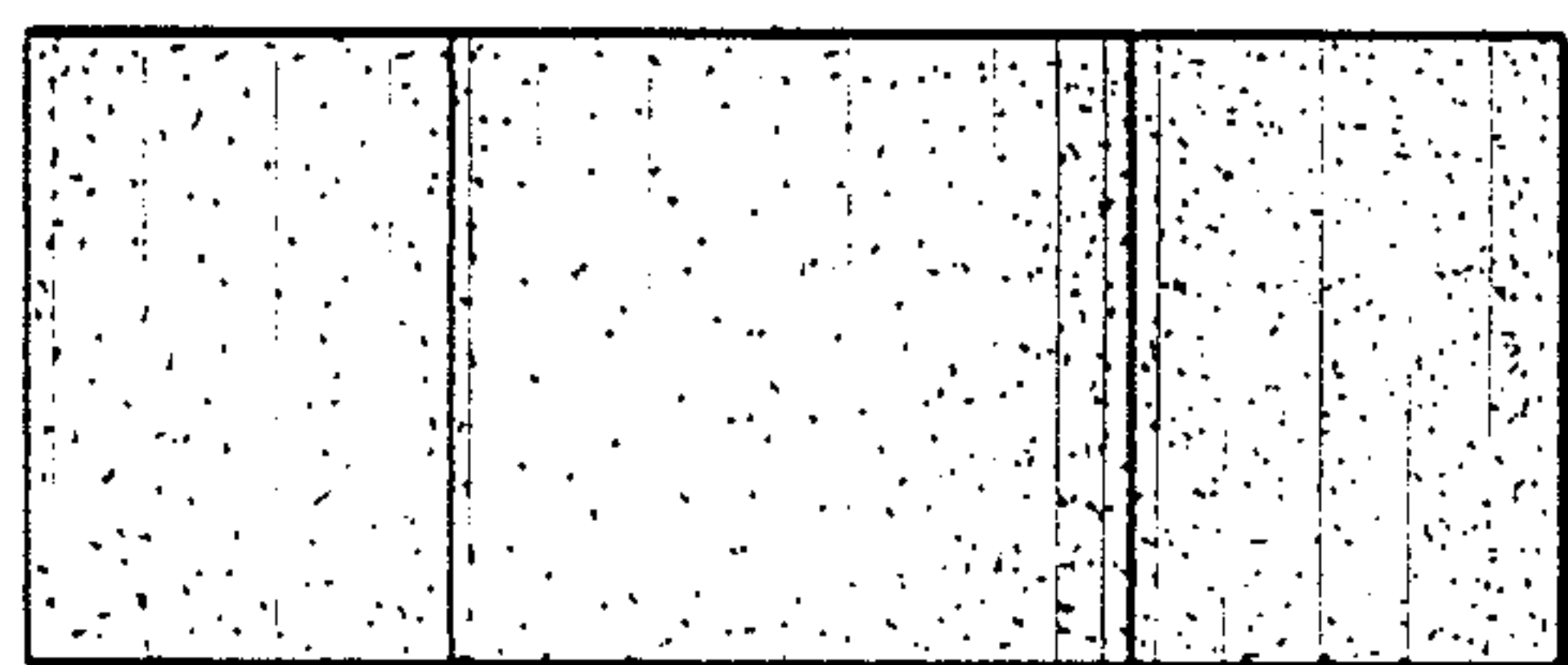


FIG. 33

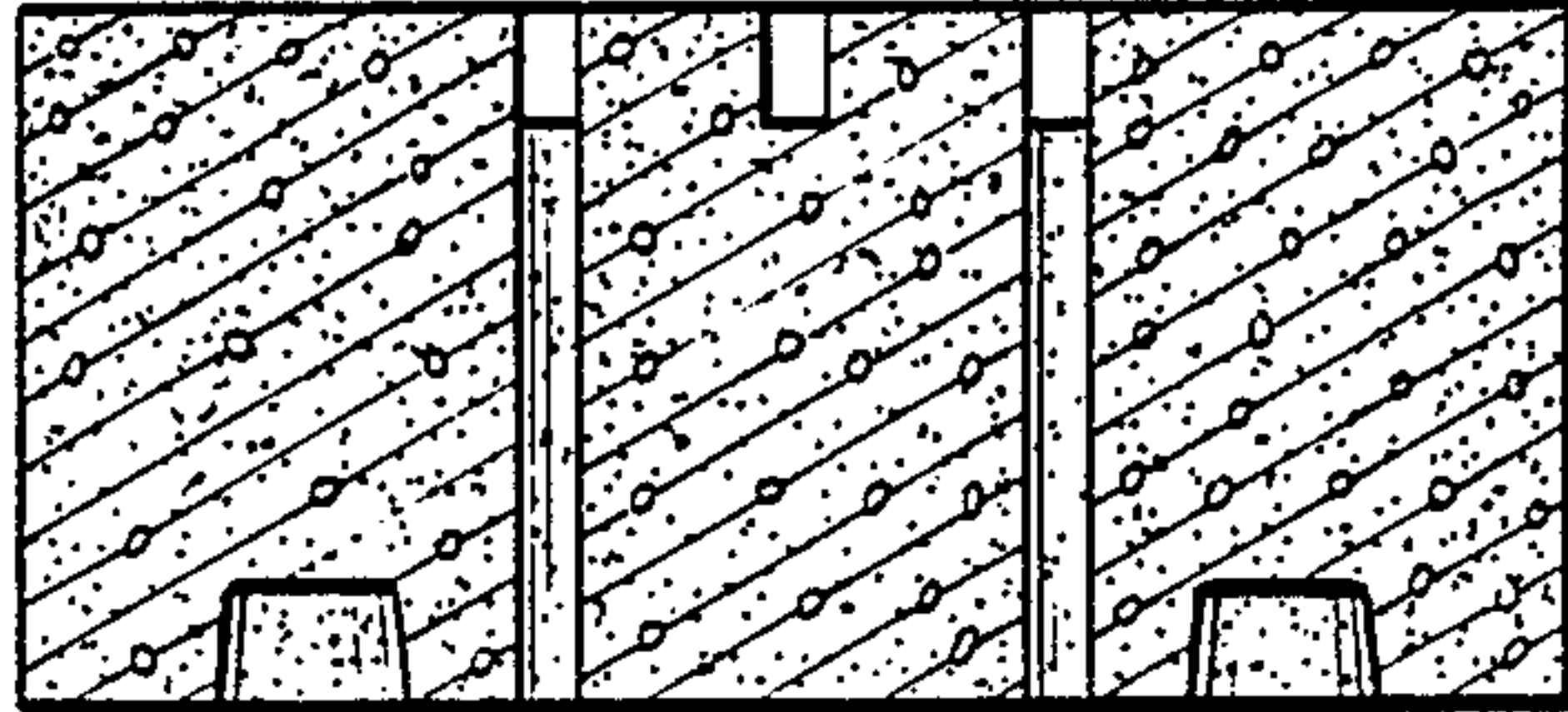


FIG. 34

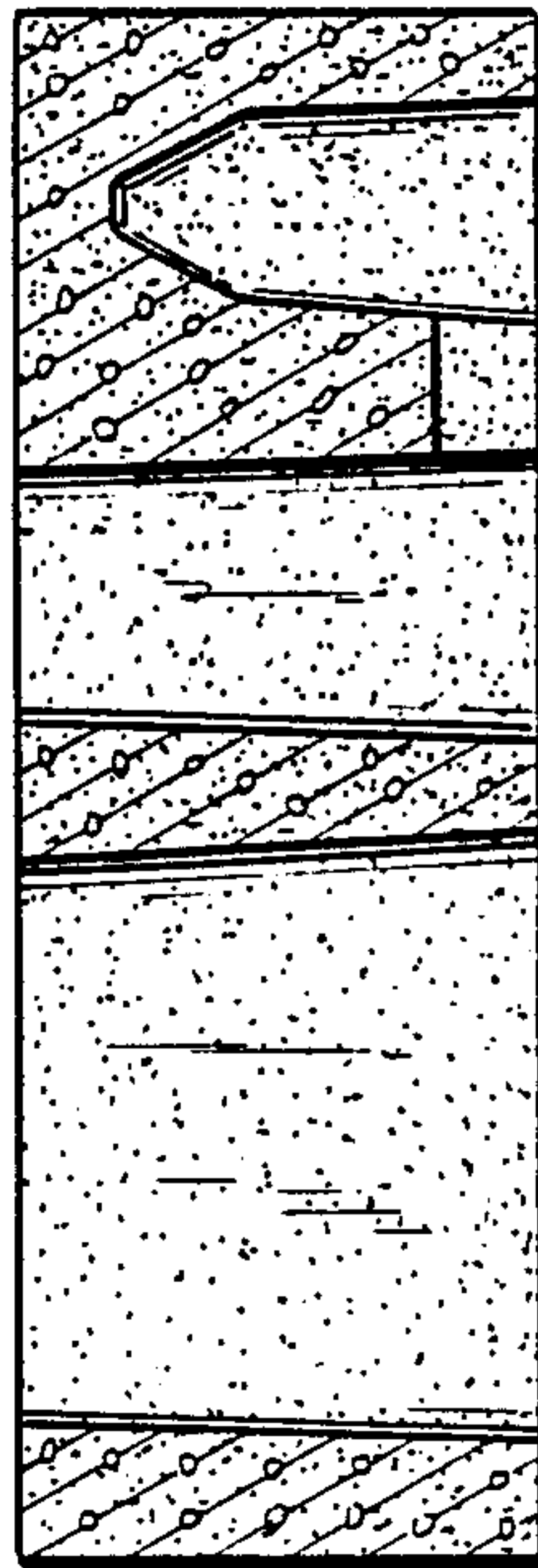


FIG. 35

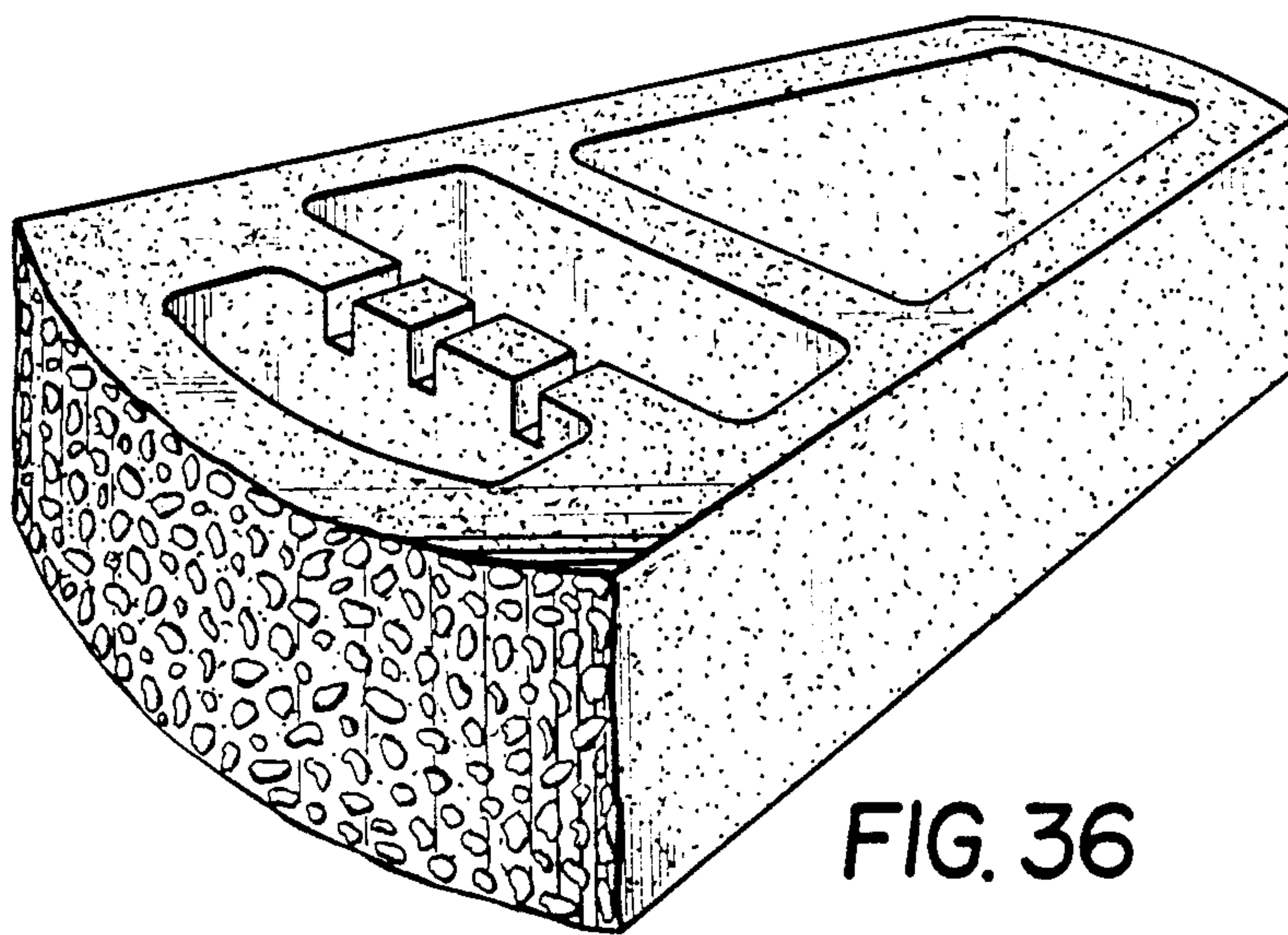


FIG. 36

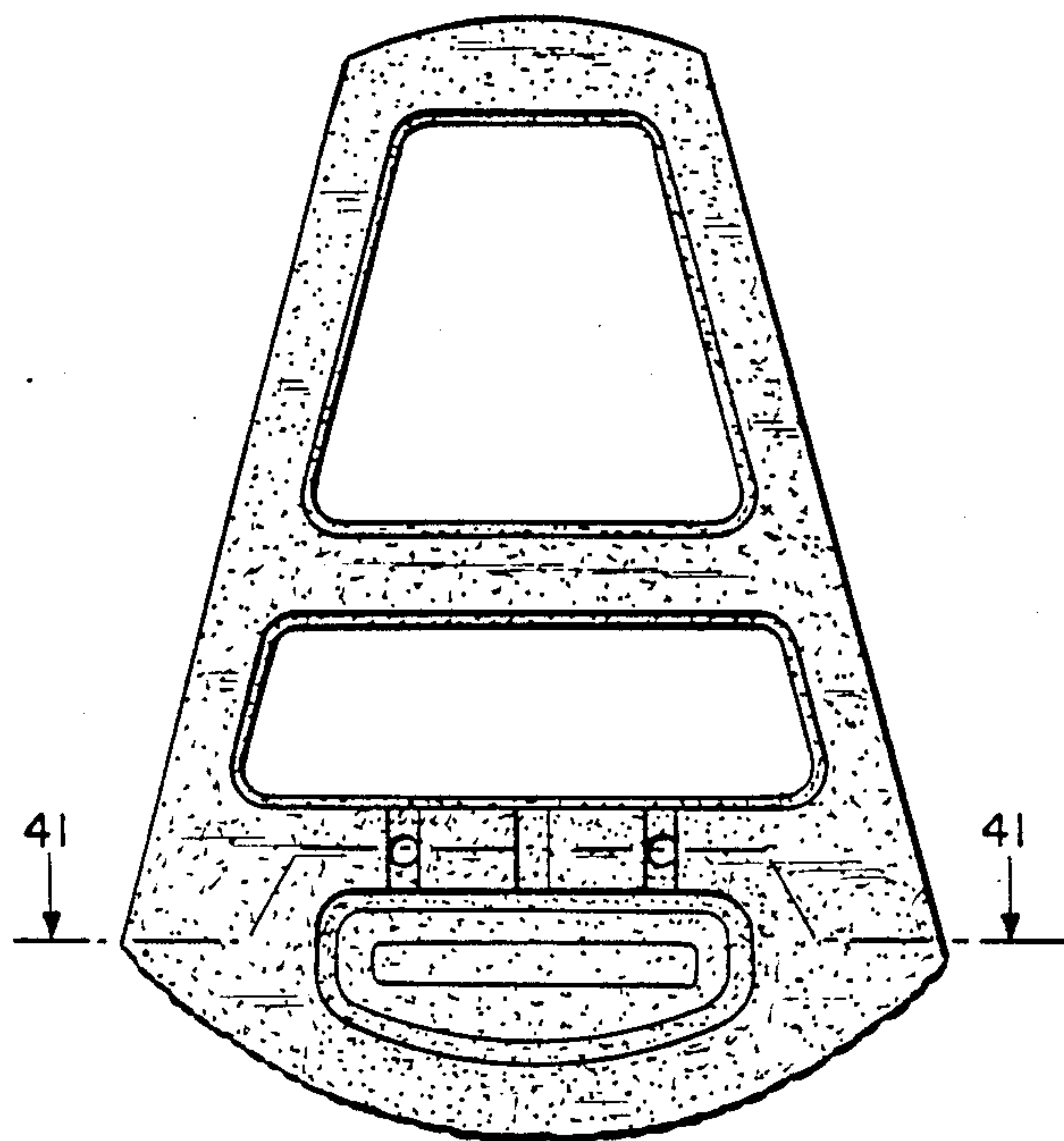


FIG. 37

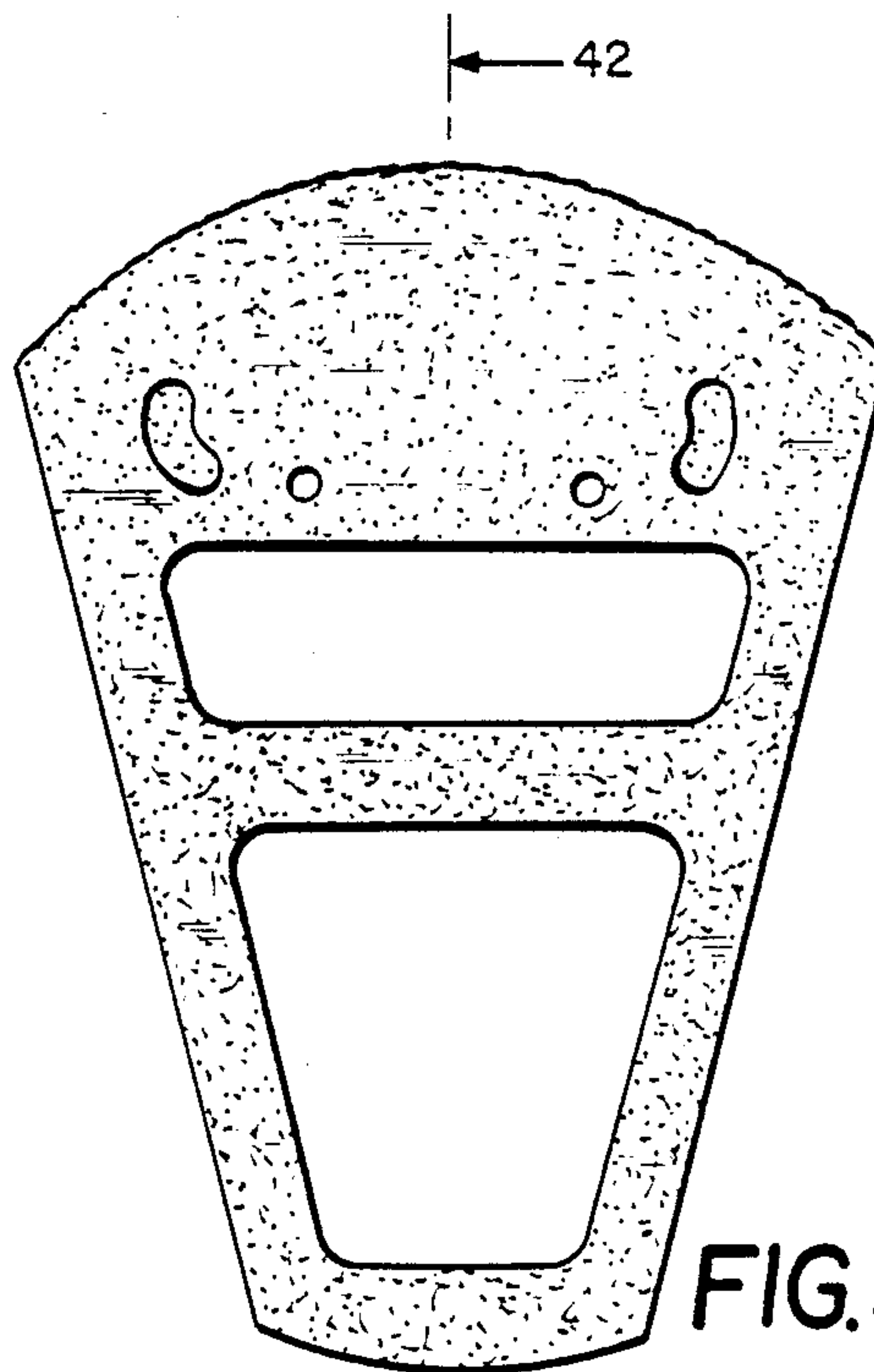


FIG. 38

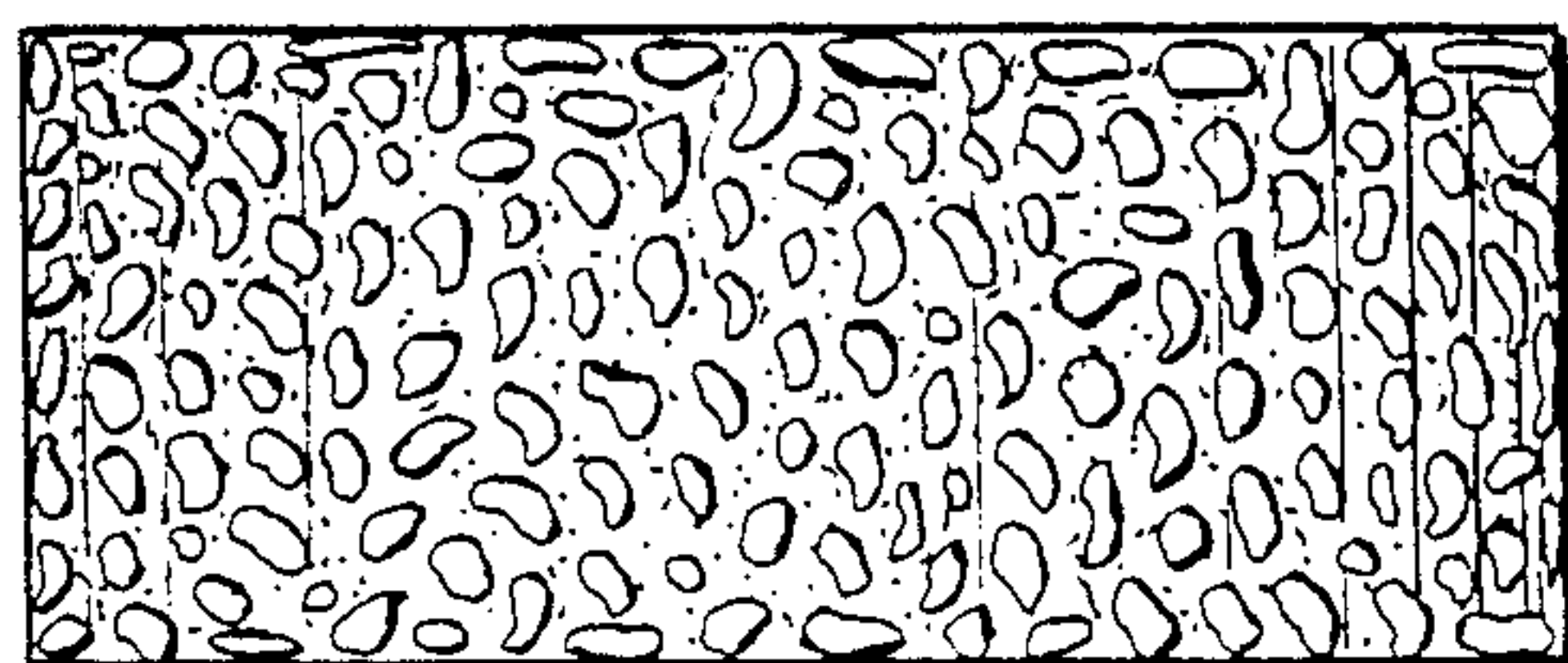


FIG. 39

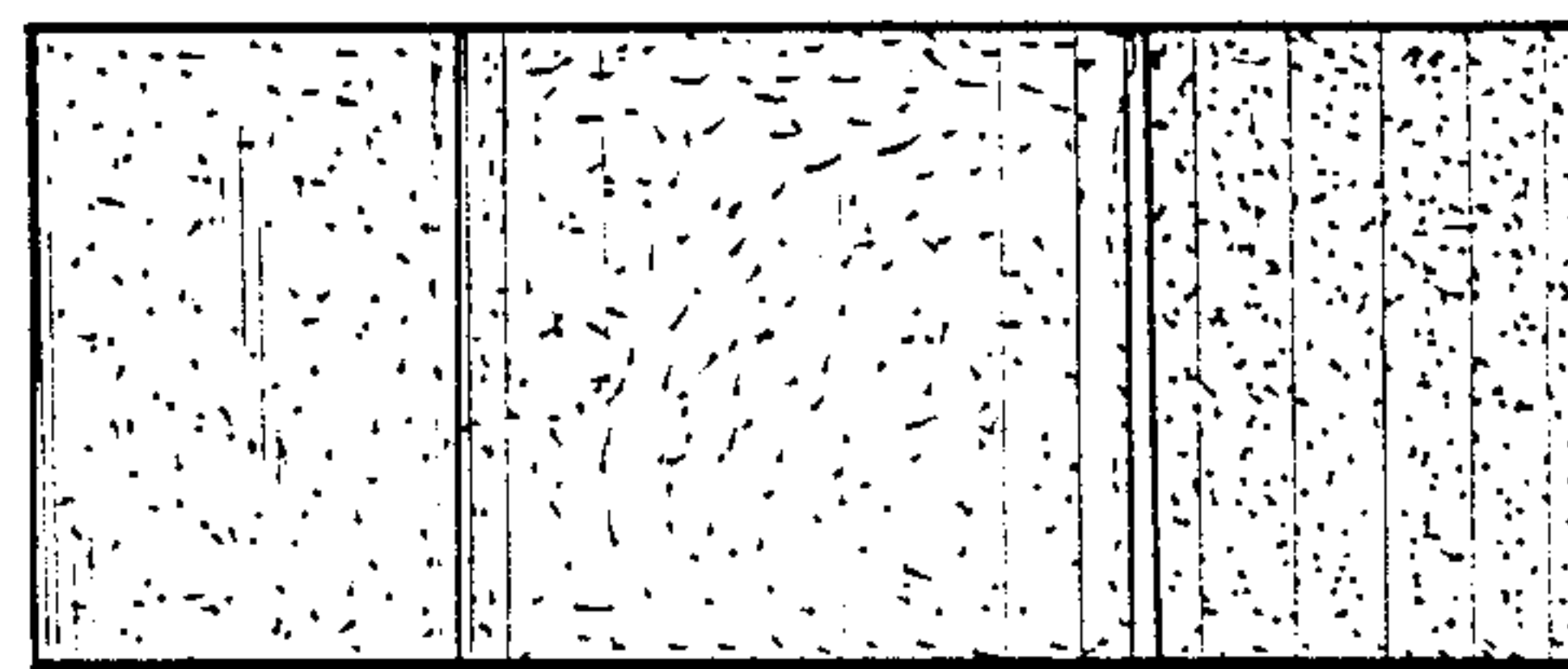


FIG. 40

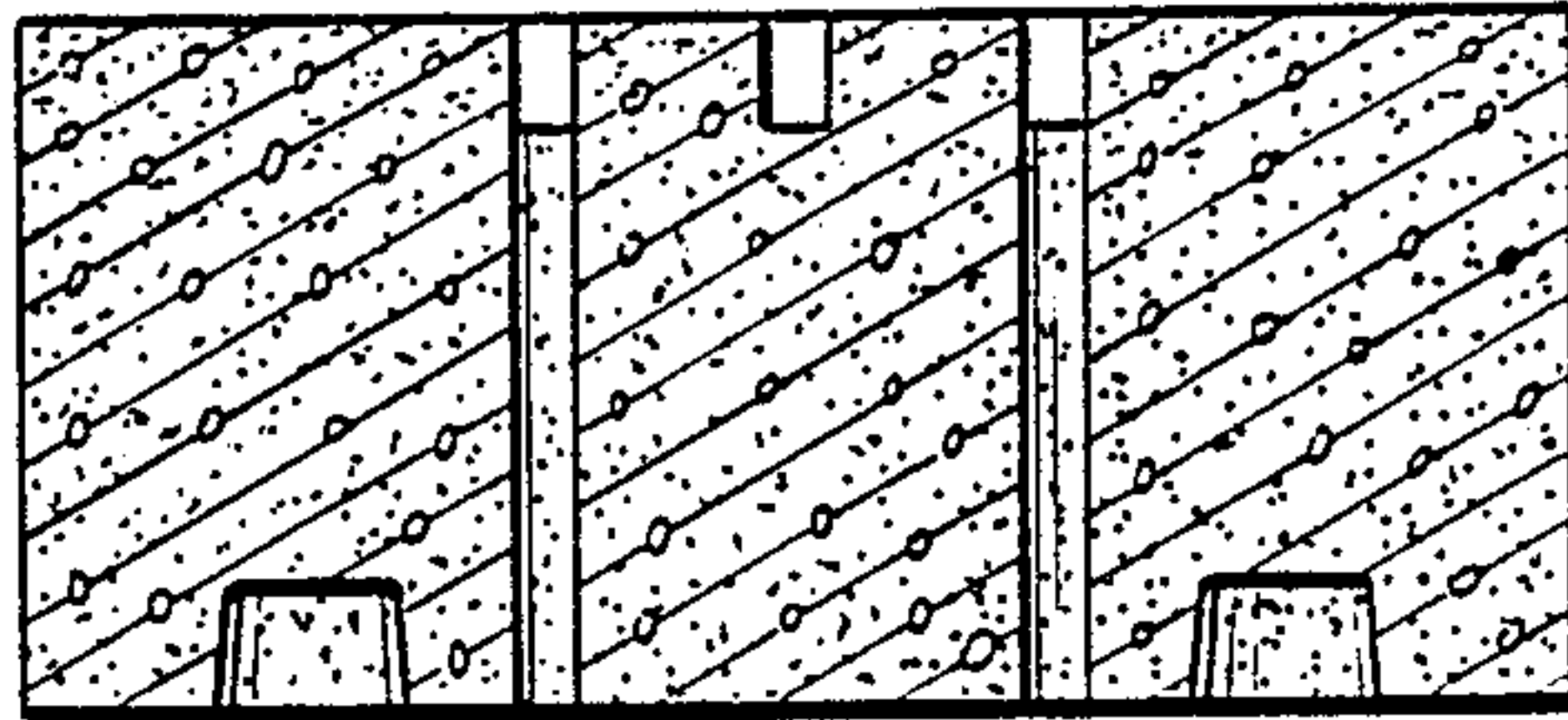


FIG. 41

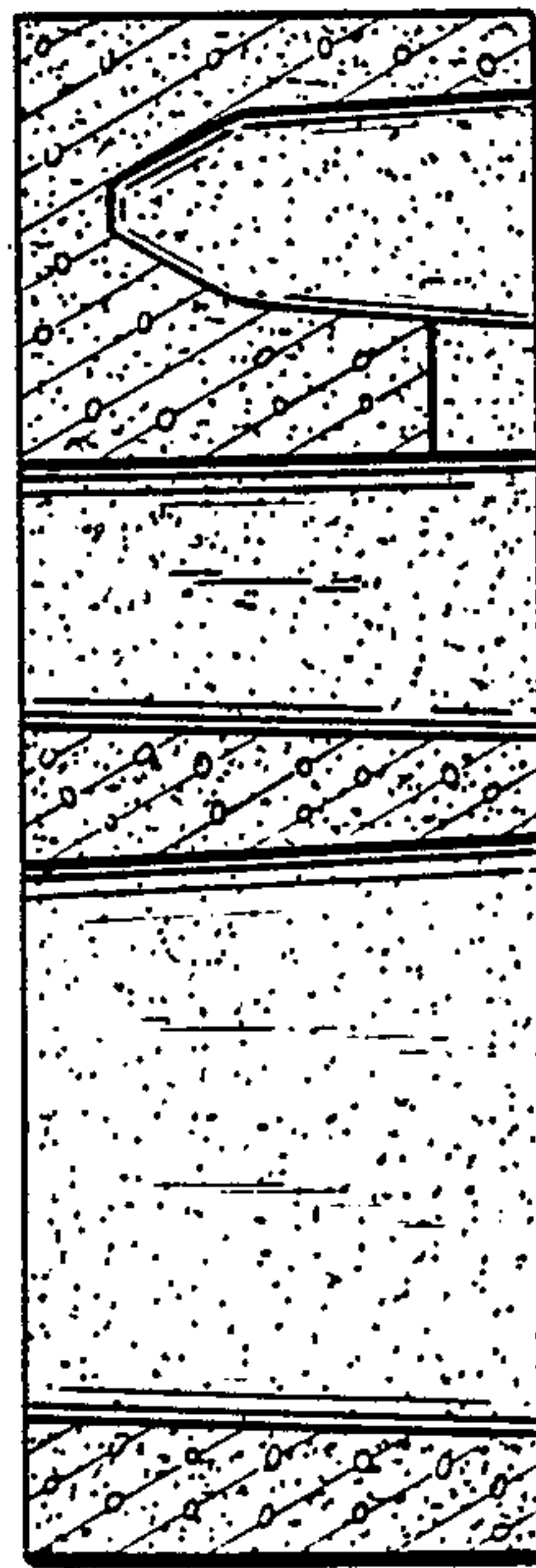


FIG. 42