

[54] SINK

[75] Inventor: Javier G. L. Garza, San Pedro Garza Garcia, Mexico

[73] Assignee: Fabricas Orion S.A., Monterrey, Mexico

[**] Term: 14 Years

[21] Appl. No.: 905,059

[22] Filed: Sep. 8, 1986

[52] U.S. Cl. D23/290

[58] Field of Search D23/284-294; 4/619, 639-642, 65

2,026,804 1/1936 Sterling D23/290 X
2,063,243 12/1936 Groenigor 4/642
2,889,559 6/1959 Lyon, Jr. 4/638
4,624,020 11/1986 Abderhalden et al. 4/640 X

OTHER PUBLICATIONS

House & Home, Mar. 1961, p. 159, top left item.
House & Home, Dec. 1961, p. 56.
Domestic Engineering, May 1963, p. 112.

Primary Examiner—James R. Largen
Attorney, Agent, or Firm—Pravel, Gambrell, Hewitt, Kimball & Krieger

[56] References Cited

U.S. PATENT DOCUMENTS

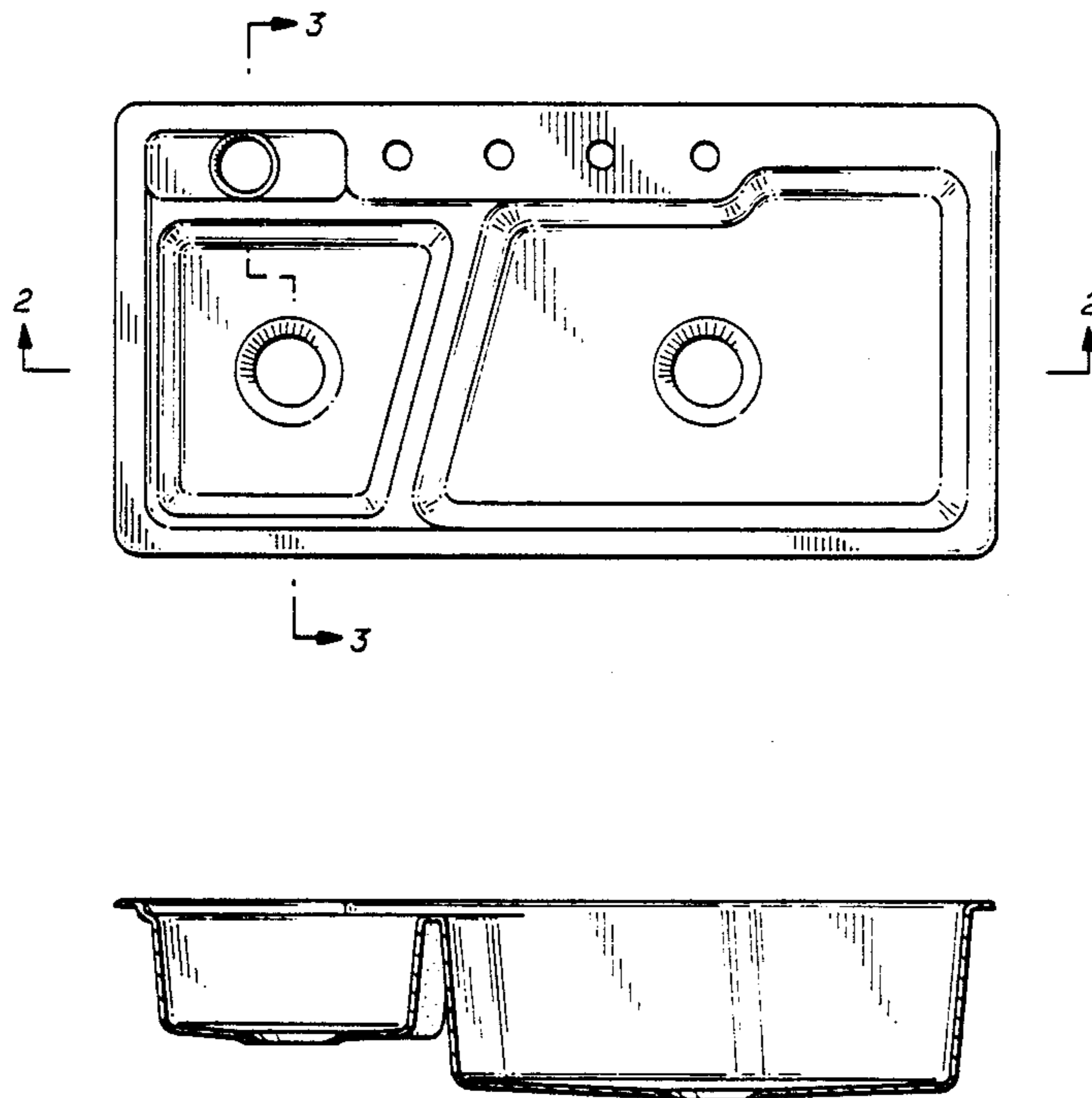
D. 174,749	5/1955	Harris	D23/287
D. 193,464	8/1962	Hauser	D23/290
D. 198,305	6/1964	Graning, Jr.	D23/290
D. 203,802	2/1966	Graning, Jr.	D23/290
D. 206,048	10/1966	Armstrong	D23/290
D. 224,533	8/1972	Hauser	D23/290
D. 259,434	6/1981	Doman	D23/287

CLAIM

[57] The ornamental design for a sink, substantially as shown and described.

DESCRIPTION

FIG. 1 is a top plan view of a sink showing my new design;
FIG. 2 is a cross-sectional view taken along line 2—2 of FIG. 1; and
FIG. 3 is a cross-sectional view taken along line 3—3 of FIG. 1.



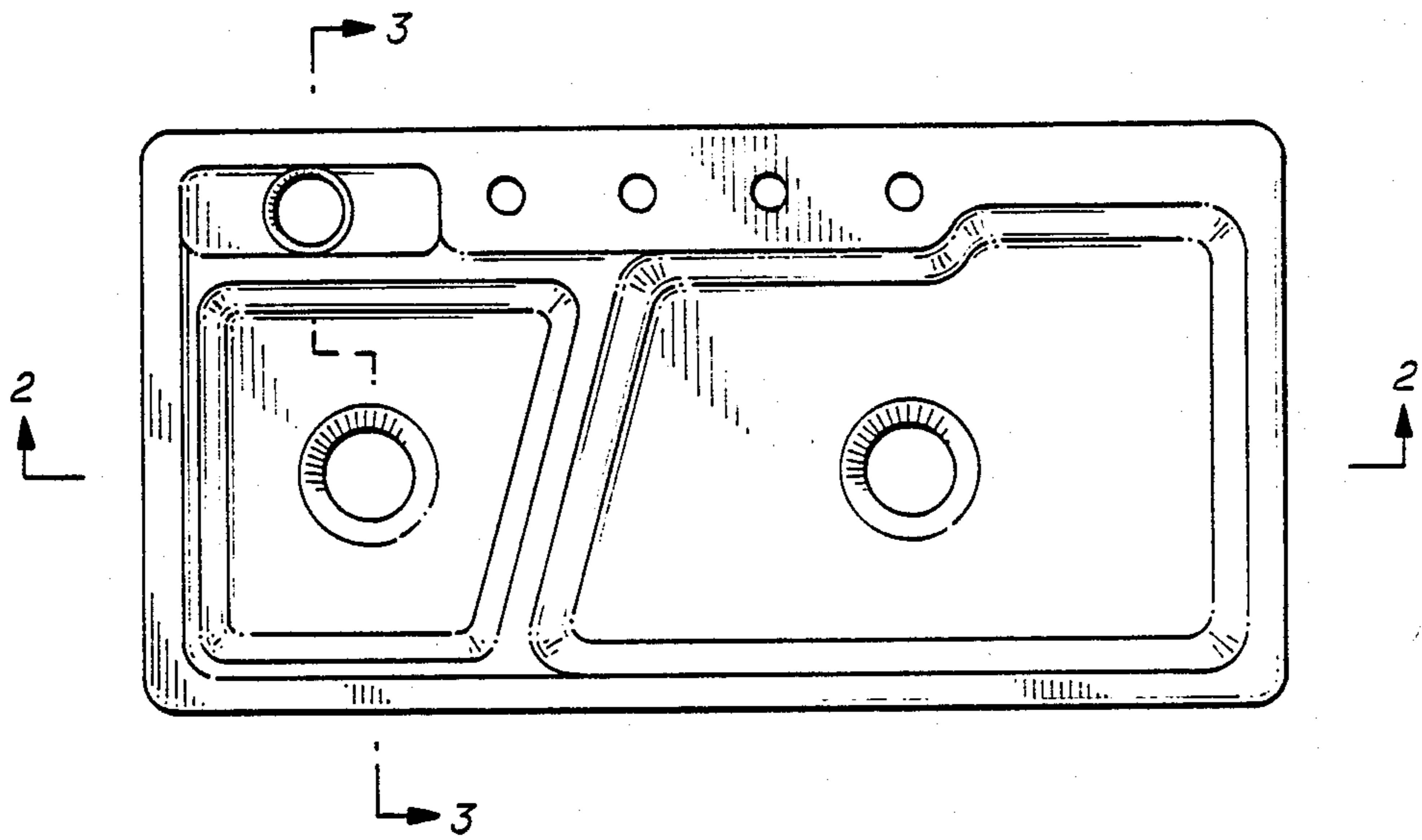


FIG. 1

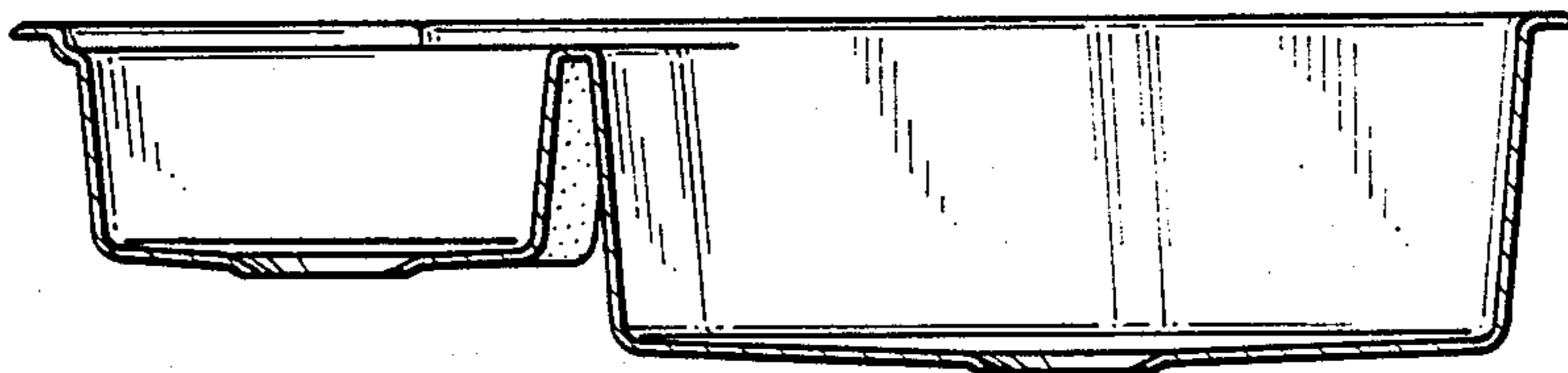


FIG. 2

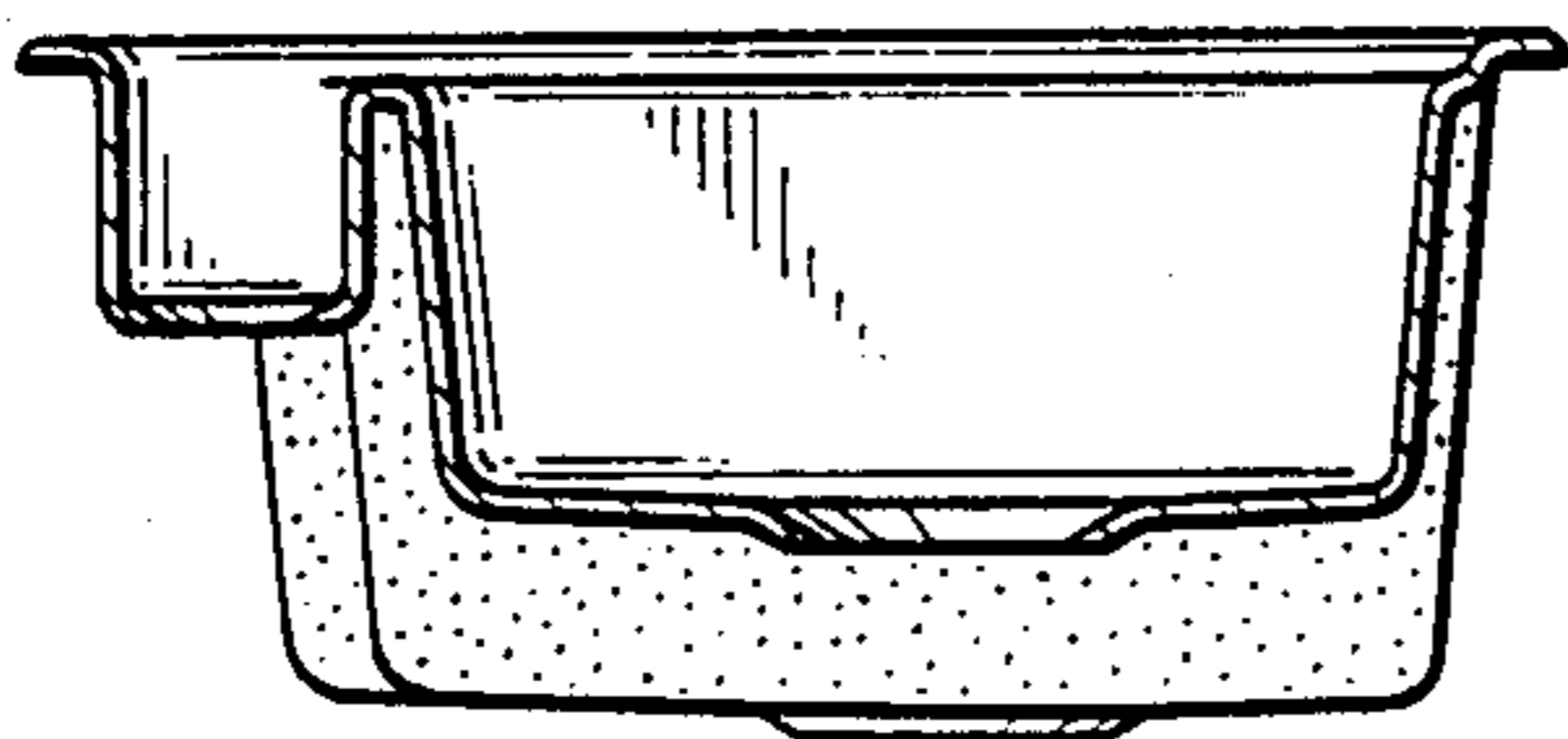


FIG. 3