

# United States Patent [19]

Haug et al.

[11] Patent Number: Des. 296,002

[45] Date of Patent: \*\* May 31, 1988

[54] **SHOWER HEAD**

[75] Inventors: **Andreas Haug, Altensteig;**  
**Hans-Peter Leins, Rohrdorf, both of**  
**Fed. Rep. of Germany**

[73] Assignee: **Hans Grohe GmbH & Co. KG, Fed.**  
**Rep. of Germany**

[\*] Notice: The portion of the term of this patent  
subsequent to May 24, 2002 has been  
disclaimed.

[\*\*] Term: **14 Years**

[21] Appl. No.: **772,356**

[22] Filed: **Sep. 4, 1985**

[30] **Foreign Application Priority Data**

Mar. 15, 1985 [DE] Fed. Rep. of Germany ..... MR 1157  
0b

[52] U.S. Cl. .... **D23/229**

[58] Field of Search ..... **D23/34-37;**  
**239/383, 438, 443-449**

[56] **References Cited**

**U.S. PATENT DOCUMENTS**

D. 164,822 10/1951 Russell ..... D23/35  
D. 188,644 8/1960 Kohler ..... D23/35  
D. 191,428 9/1961 Leighton ..... D23/35

D. 215,936 11/1969 Pontreras ..... D23/35  
D. 217,606 5/1970 Young ..... D23/35  
D. 261,417 10/1981 Klose ..... D23/35  
D. 282,198 1/1986 Shames ..... D23/35  
3,547,352 12/1970 Hadsel ..... 239/383  
4,117,979 10/1978 Lagavelli et al. .... 239/449 X  
4,324,364 4/1982 Buzzi et al. .... 239/449 X  
4,669,666 6/1987 Finkbeiner ..... 239/438

**OTHER PUBLICATIONS**

House & Home, Sep. 1959, p. 67, lower right item.

*Primary Examiner*—James R. Largen  
*Attorney, Agent, or Firm*—Steele, Gould & Fried

[57] **CLAIM**

The ornamental design for a shower head, as shown and  
described.

**DESCRIPTION**

FIG. 1 is a perspective view taken from the bottom,  
front and left side of a shower head showing our new  
design;

FIG. 2 is a right side elevational view thereof;

FIG. 3 is a left side elevational view thereof;

FIG. 4 is a bottom plan view thereof;

FIG. 5 is a top plan view thereof;

FIG. 6 is a front elevational view thereof;

FIG. 7 is a rear elevational view thereof; and,

FIG. 8 is another front elevational view thereof show-  
ing the spray portion in an adjusted position.

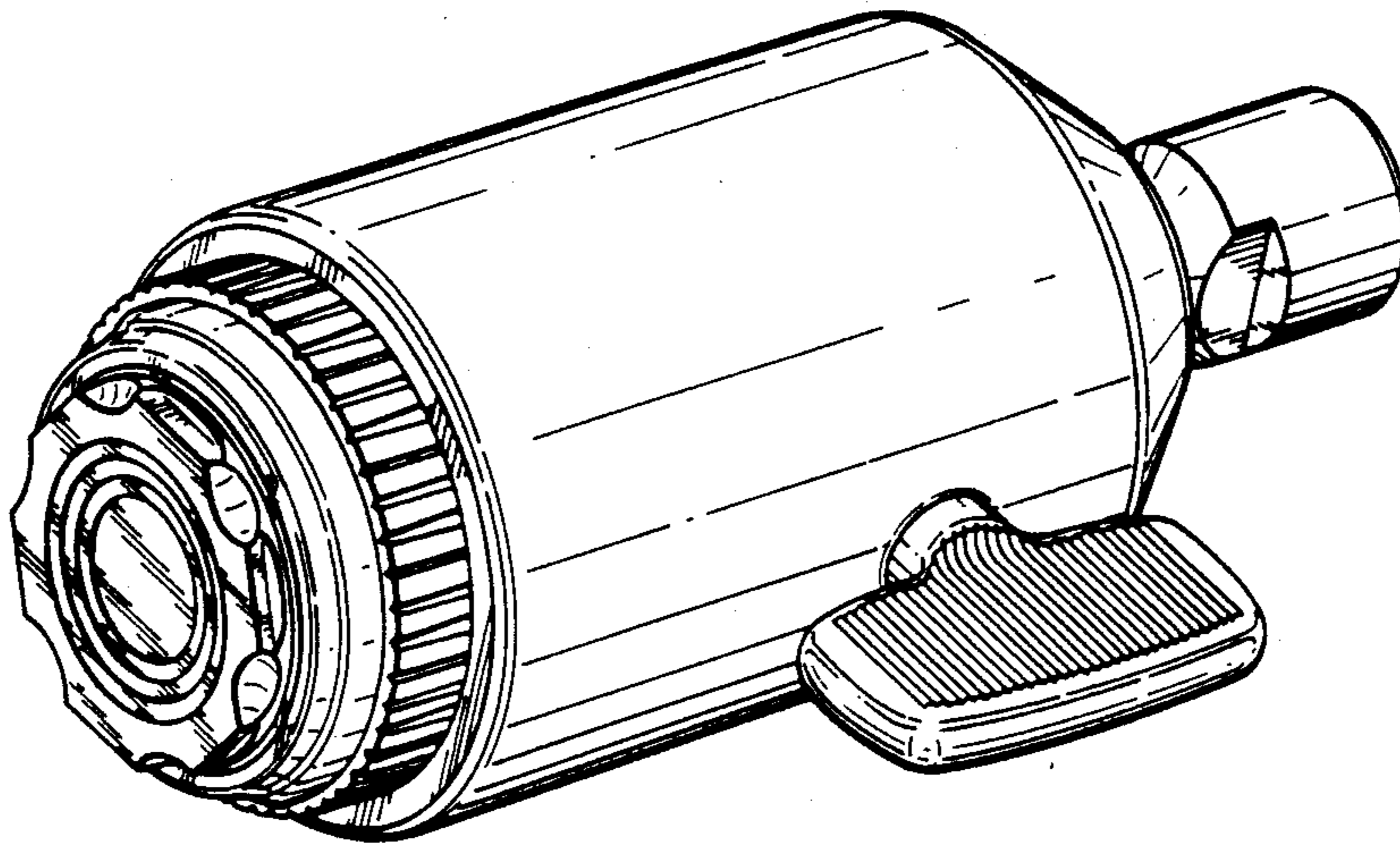


Fig. 1

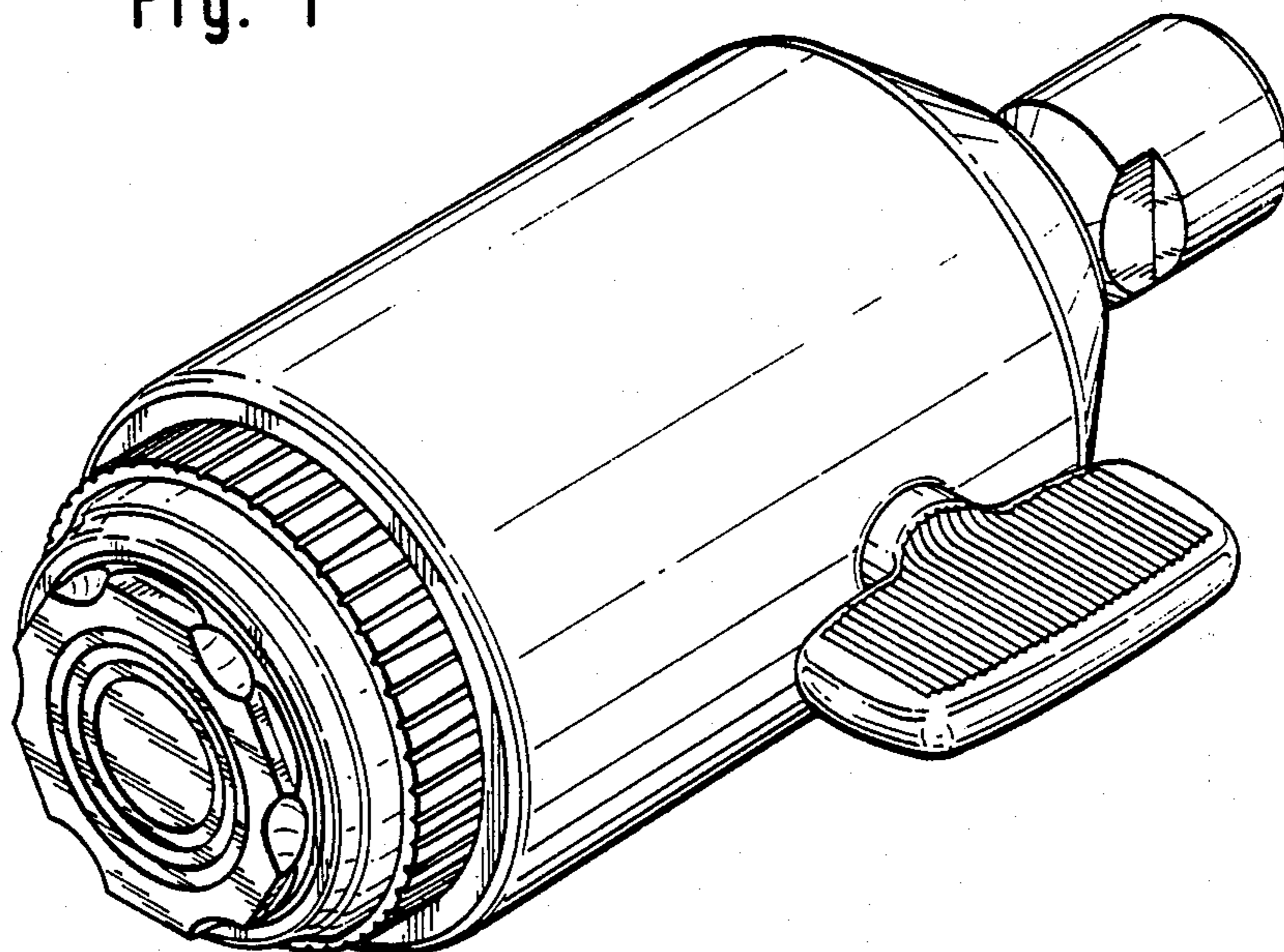


Fig. 2

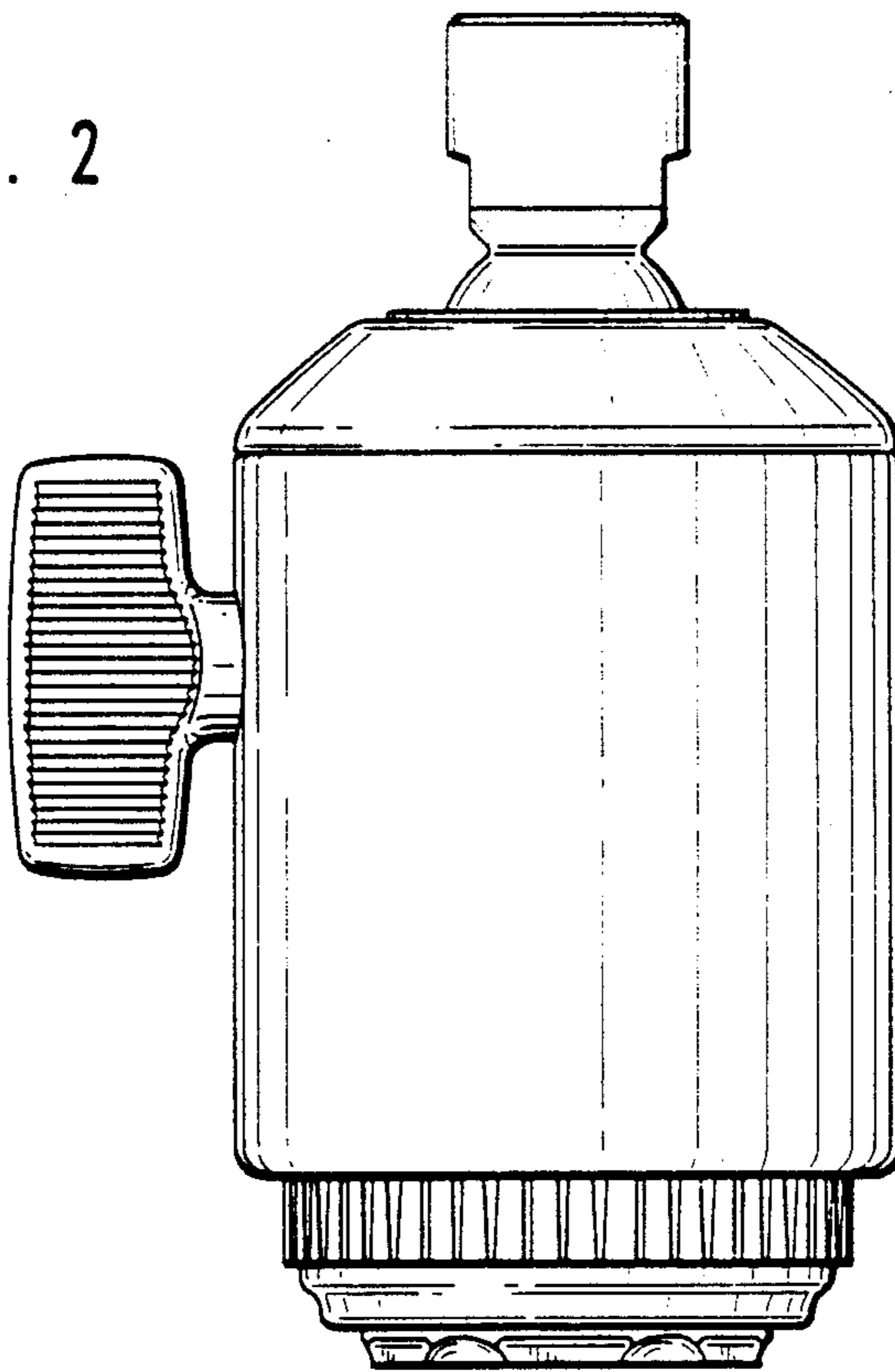


Fig. 4

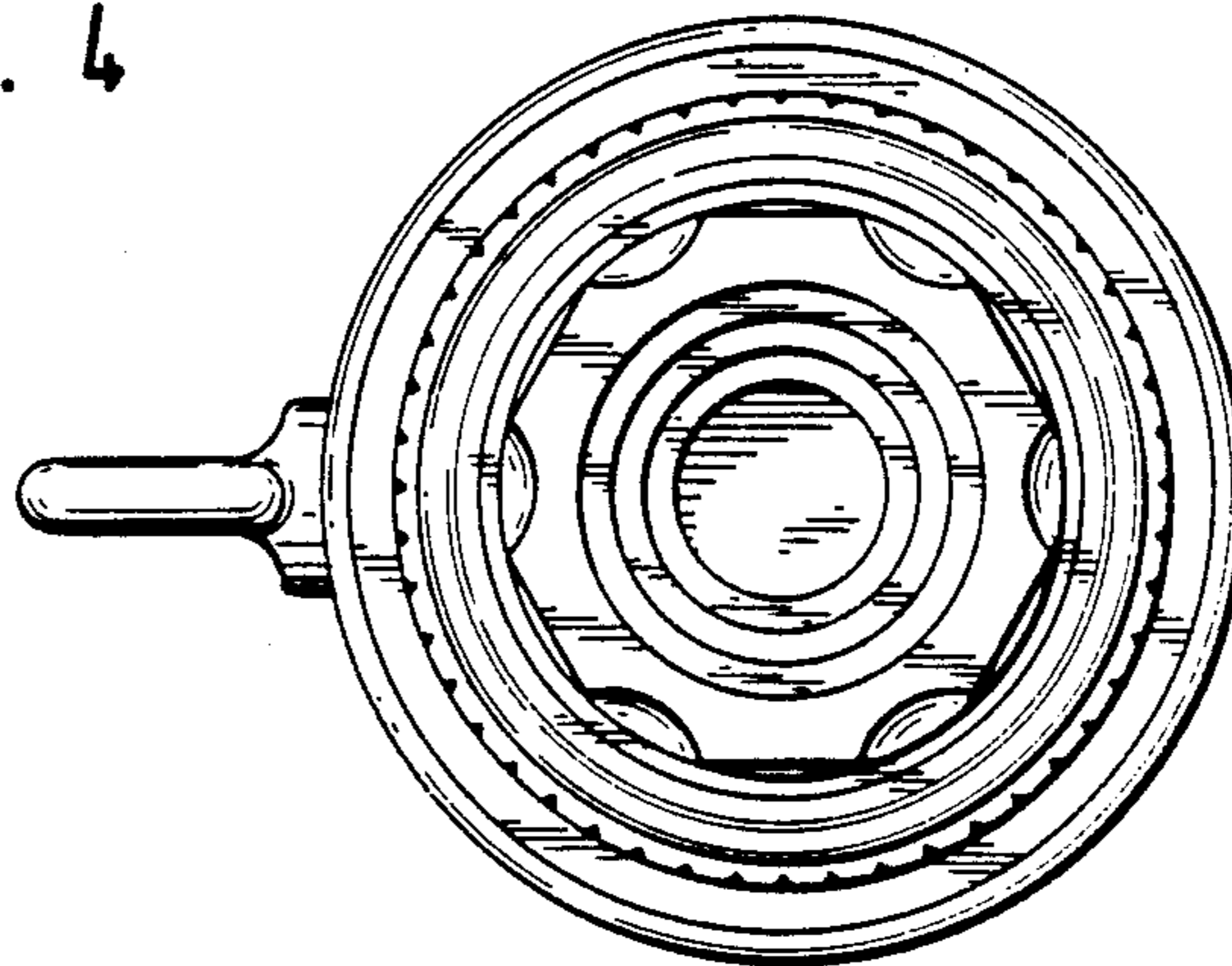


Fig. 5

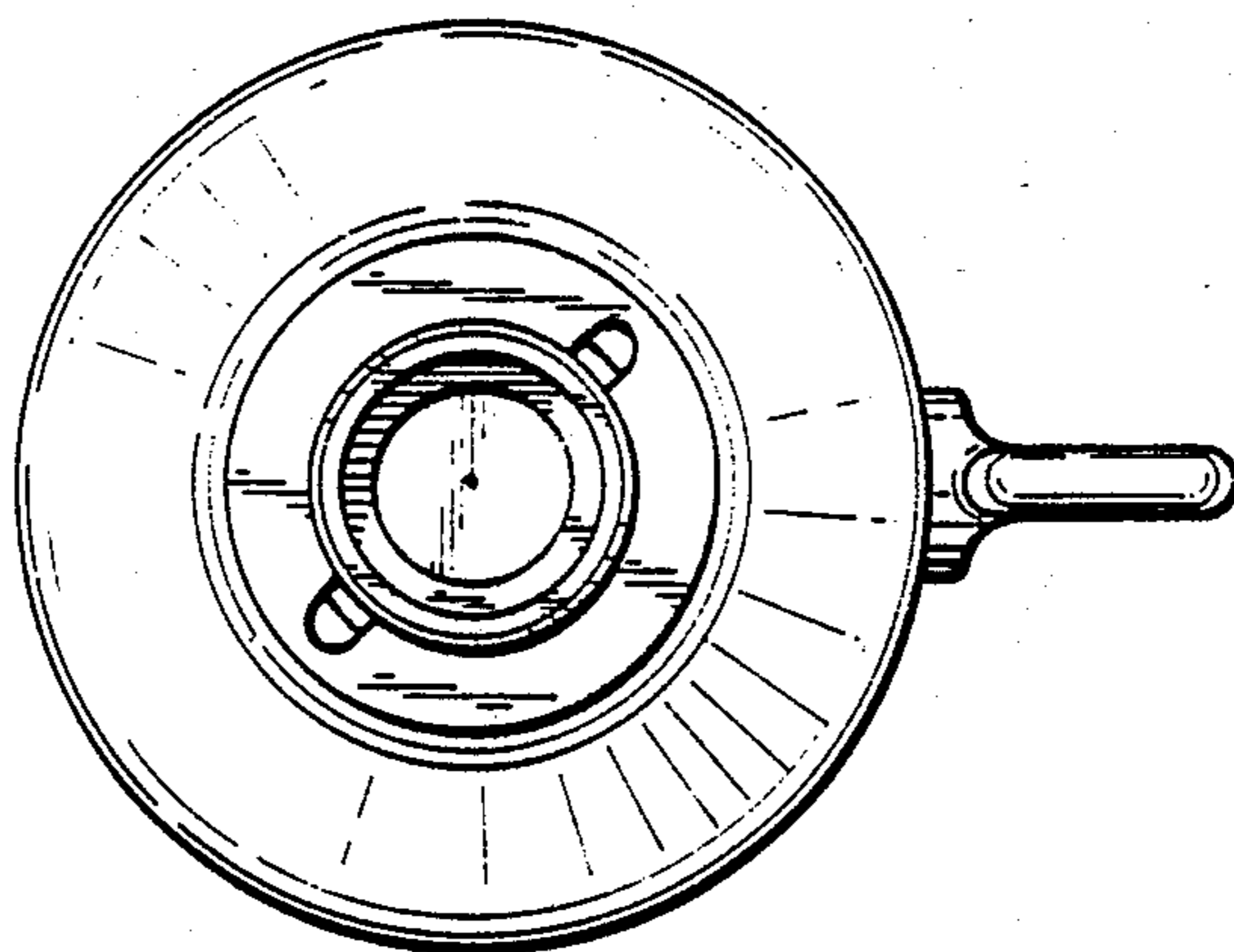


Fig. 3

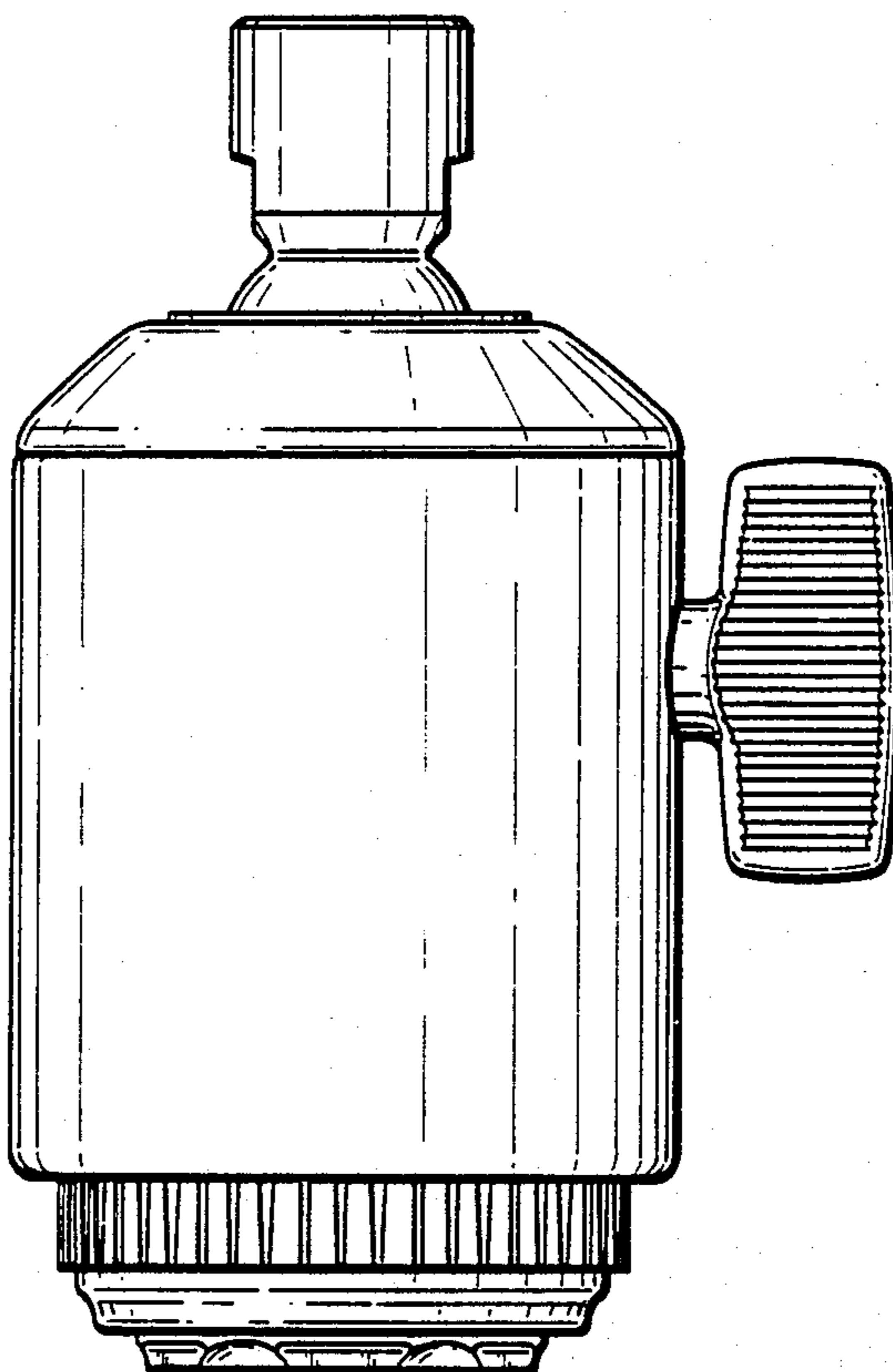


Fig. 6

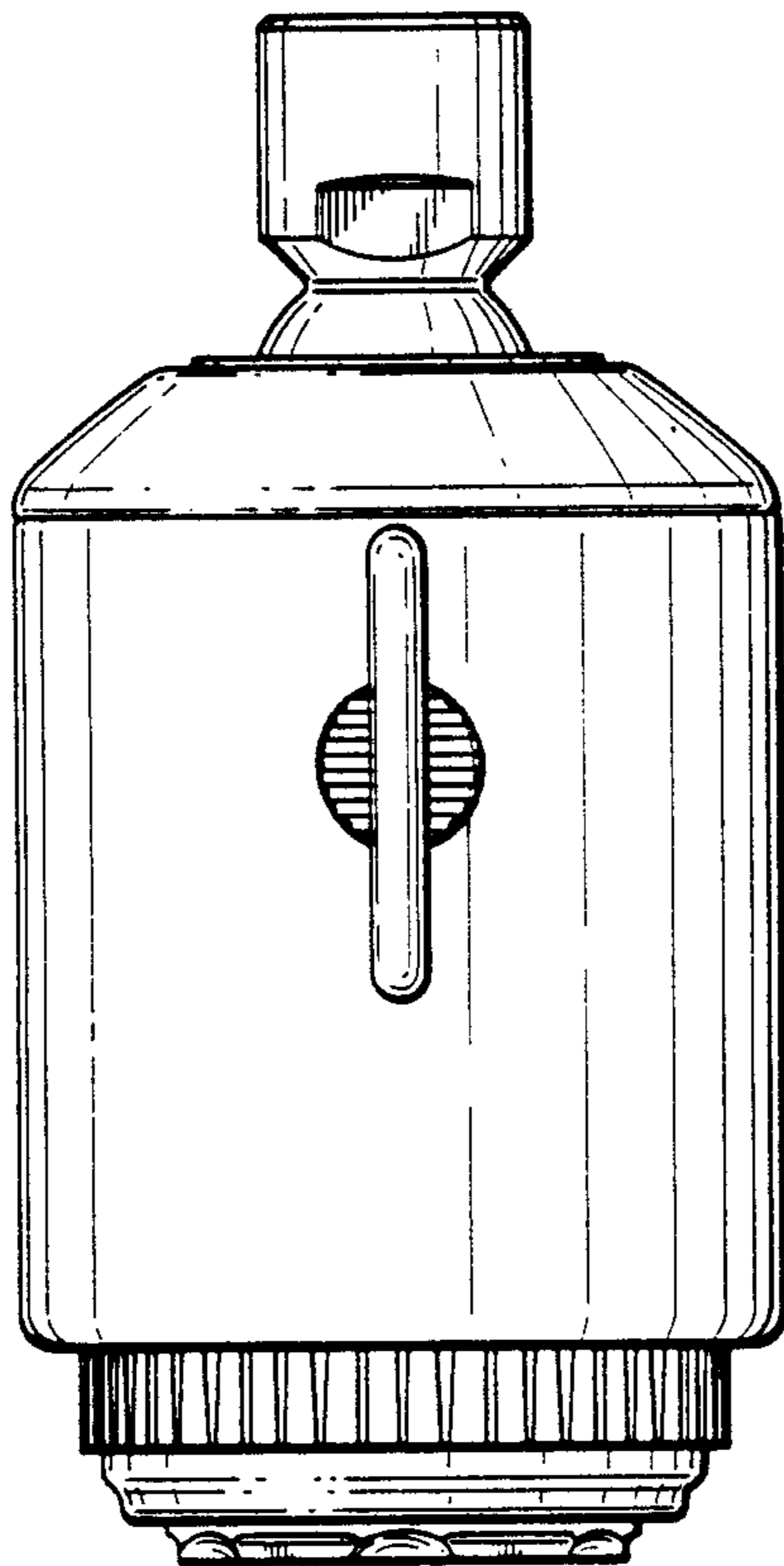


Fig. 7

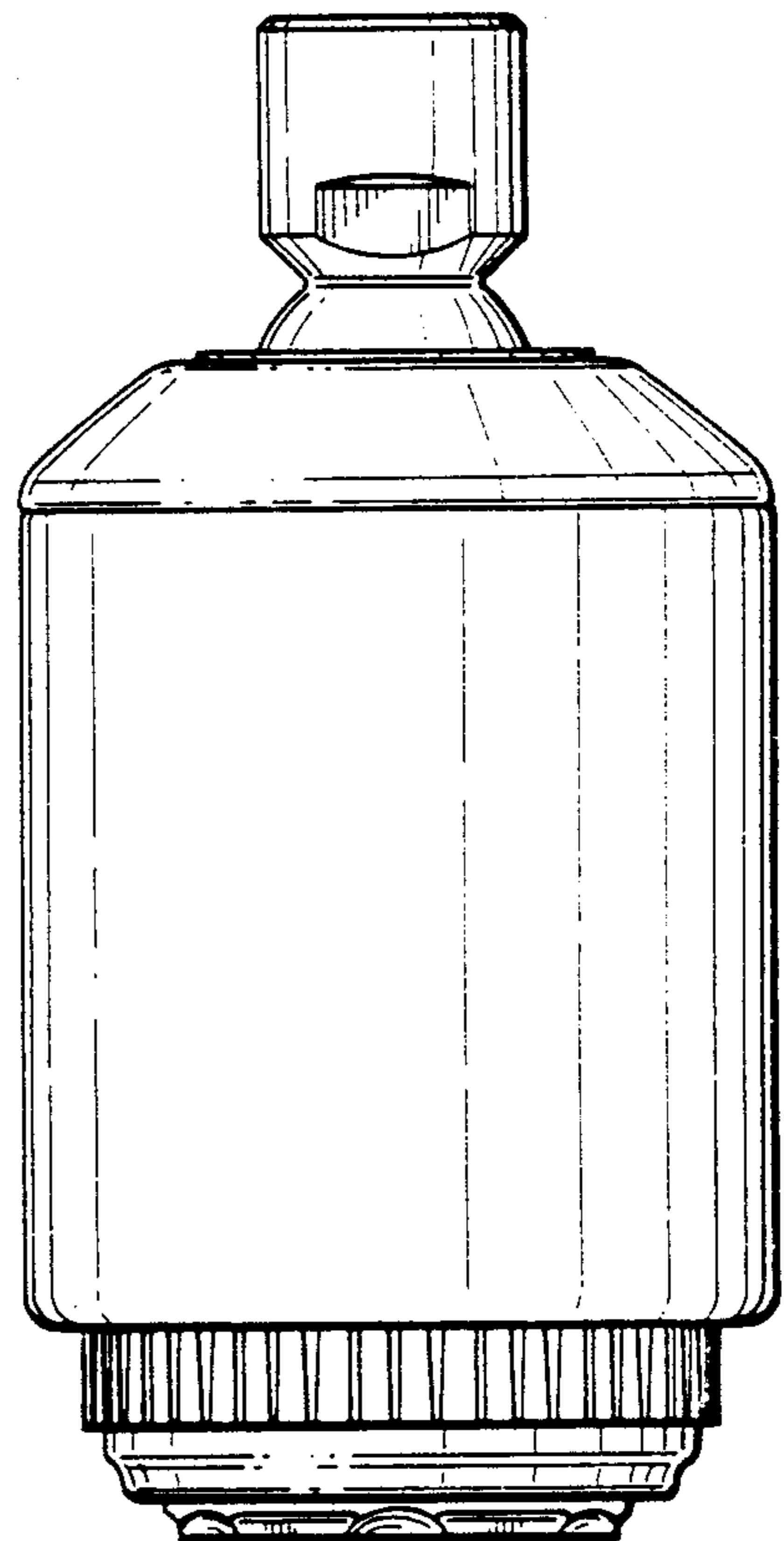


Fig. 8

