

# United States Patent [19]

Padilla

[11] Patent Number: Des. 296,000

[45] Date of Patent: \*\* May 31, 1988

[54] WATER PURIFIER OR SIMILAR ARTICLE

[75] Inventor: James M. Padilla, Covina Heights, Calif.

[73] Assignee: Cuno Incorporated, Meriden, Conn.

[\*\*] Term: 14 Years

[21] Appl. No.: 840,708

[22] Filed: Mar. 3, 1986

[52] U.S. Cl. .... D23/208

[58] Field of Search ..... D23/3, 4, 146, 148;  
210/198.1, 257.1, 282, 288, 295, 416.3, 443-449

[56] References Cited

U.S. PATENT DOCUMENTS

D. 227,886 7/1973 Martinez ..... D23/4  
D. 253,715 12/1979 Emery ..... D23/4  
D. 271,235 11/1983 Ward ..... D23/4

D. 289,317 4/1987 Mezcy et al. .... D23/4  
2,987,187 6/1961 Comroe ..... 210/288 X  
3,342,340 9/1967 Shindell ..... 210/282  
4,218,317 8/1980 Kirschmann ..... 210/416.3

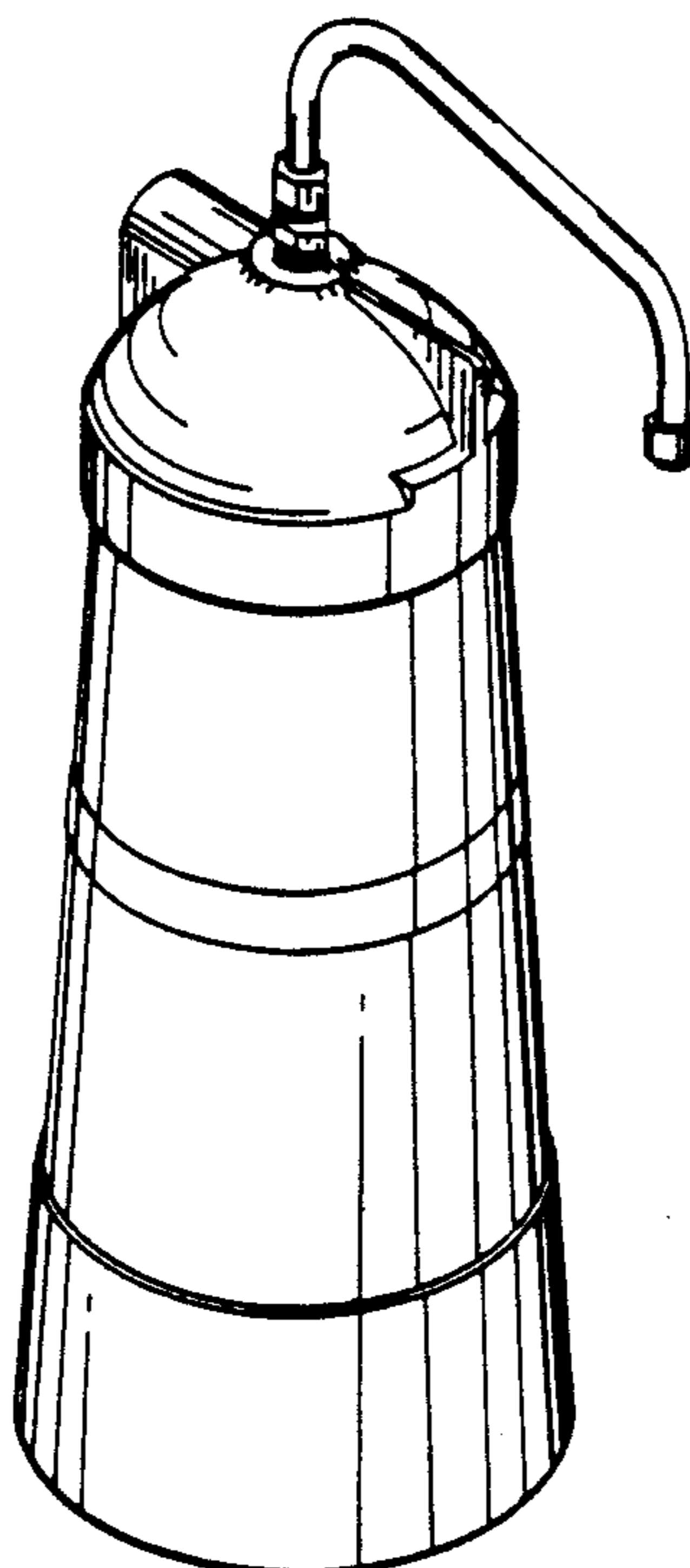
Primary Examiner—Wallace R. Burke  
Assistant Examiner—Brian N. Vinson  
Attorney, Agent, or Firm—F. Eugene Logan

[57] CLAIM

The ornamental design for a water purifier or similar article, substantially as shown and described.

DESCRIPTION

FIG. 1 is a top and front perspective view of a water purifier or similar article showing my new design; FIG. 2 is a front elevational view thereof; FIG. 3 is a right side elevational view thereof; FIG. 4 is a left side elevational view thereof; FIG. 5 is a top plan view thereof; and FIG. 6 is a bottom plan view thereof.



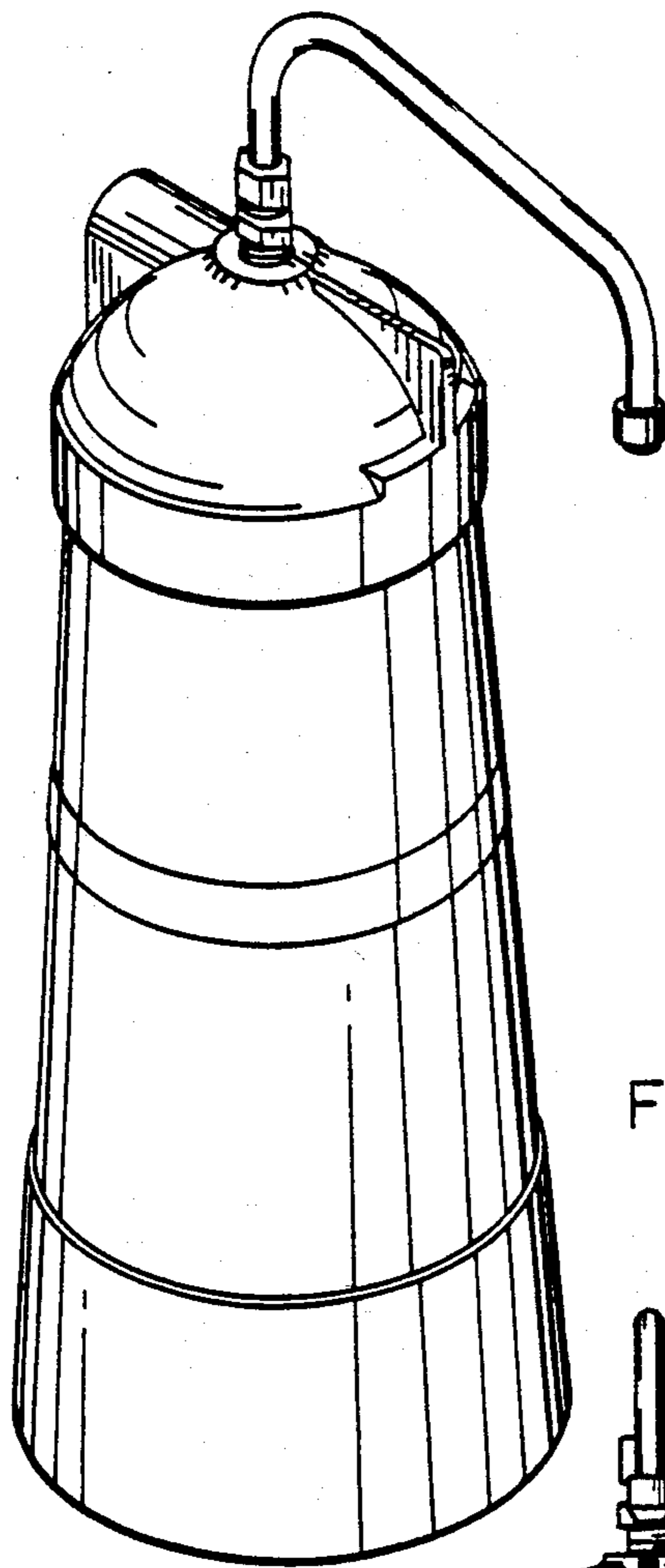


FIG. 1

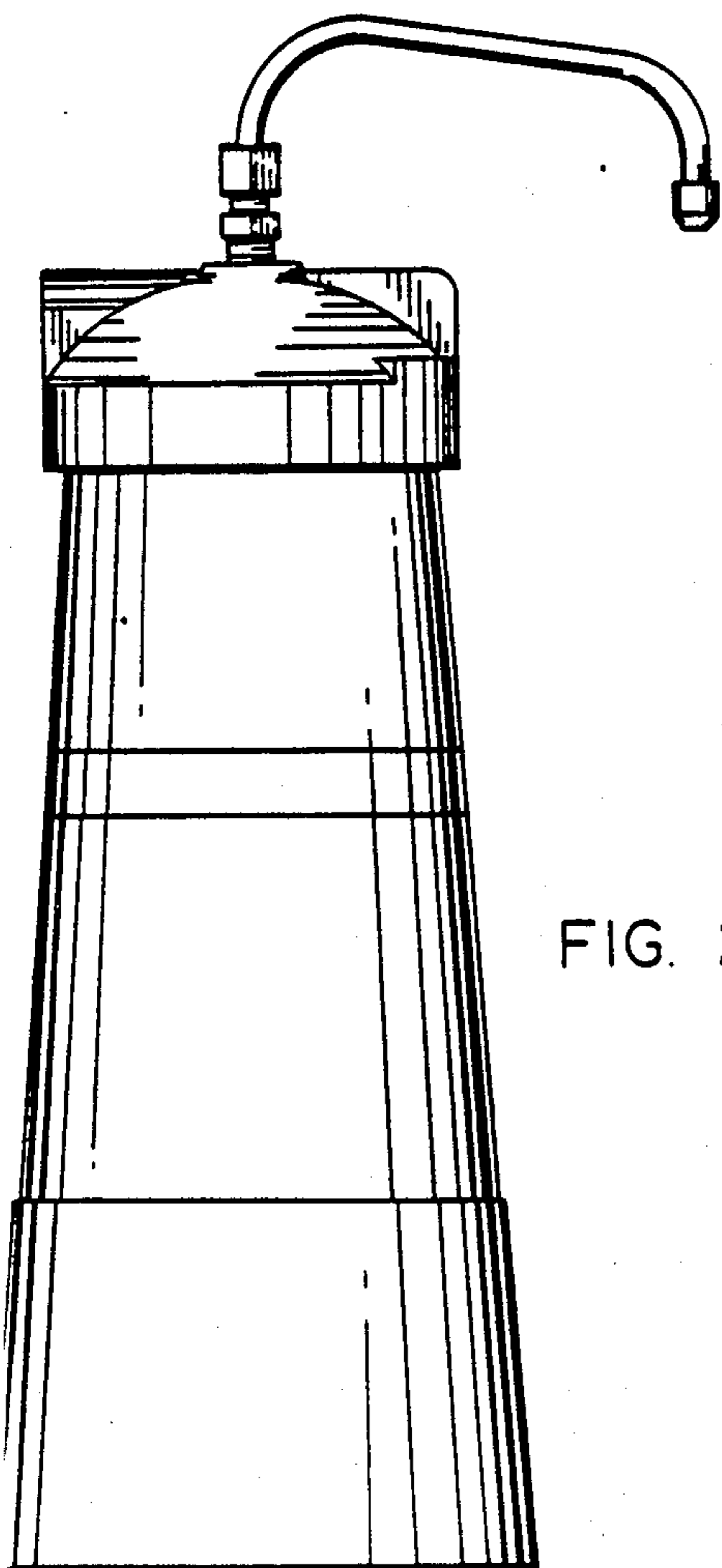


FIG. 2

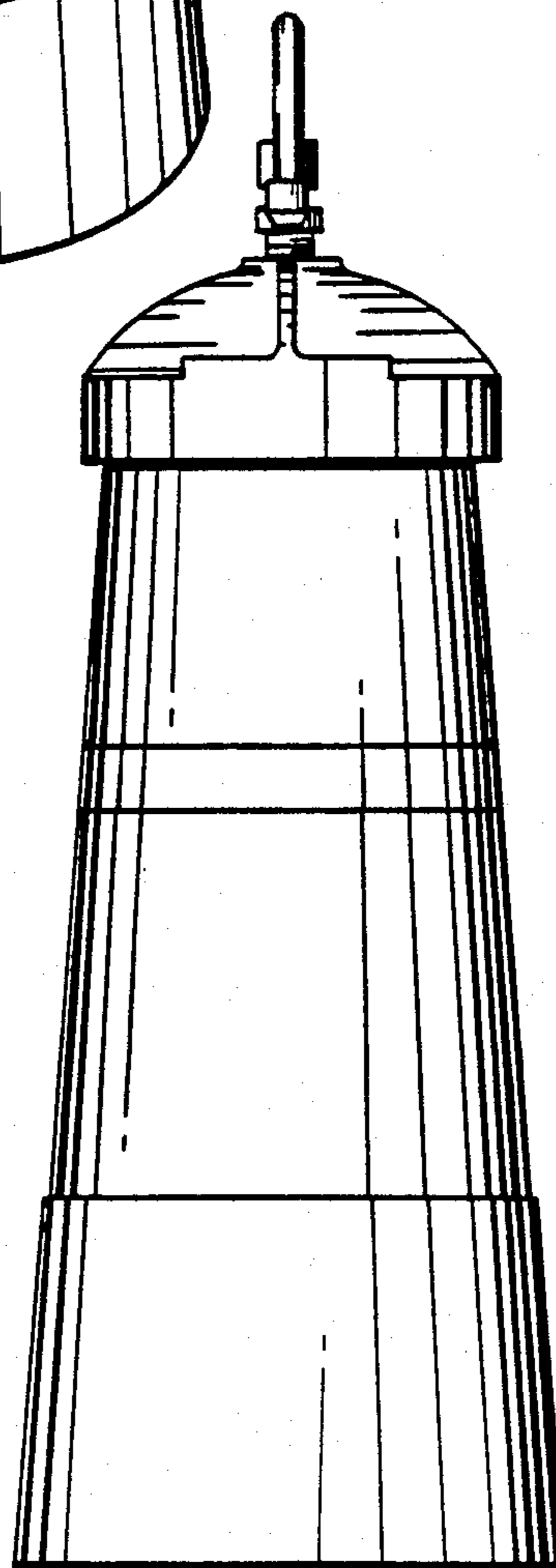


FIG. 3

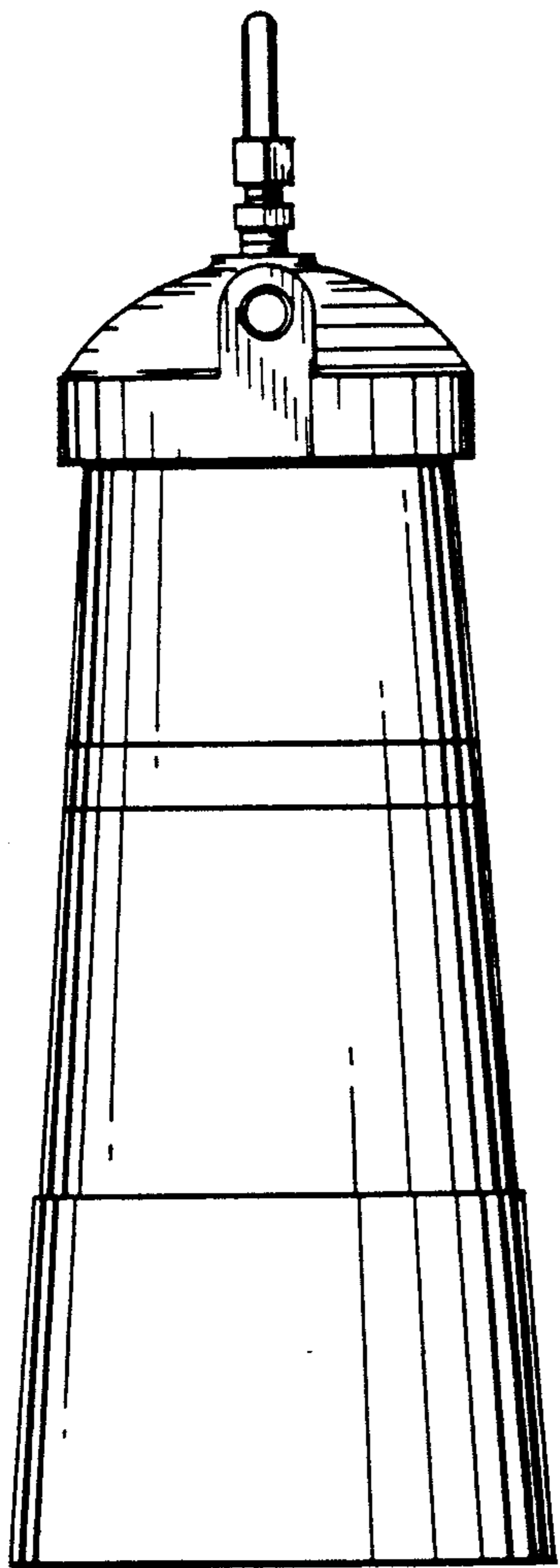


FIG. 4

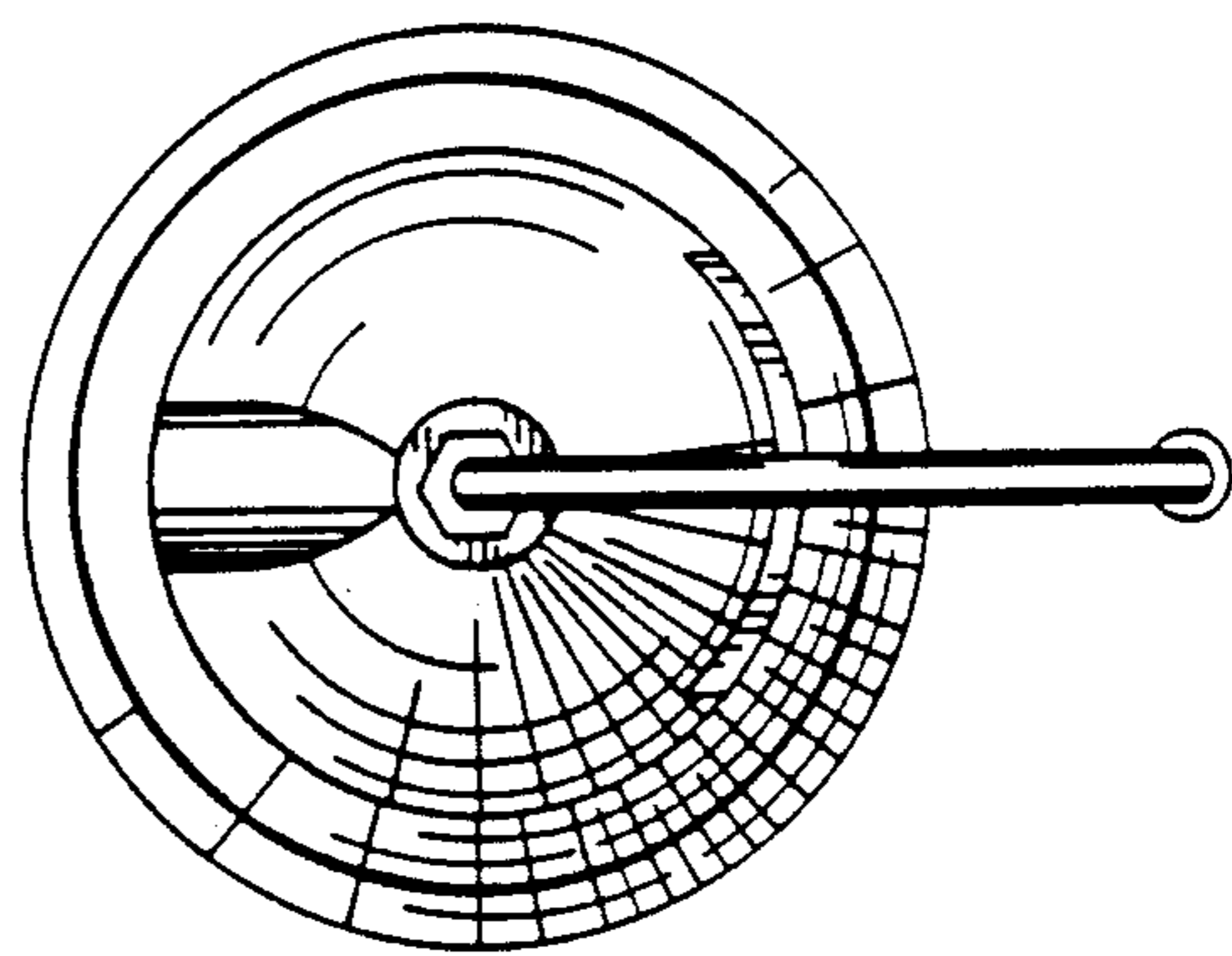


FIG. 5

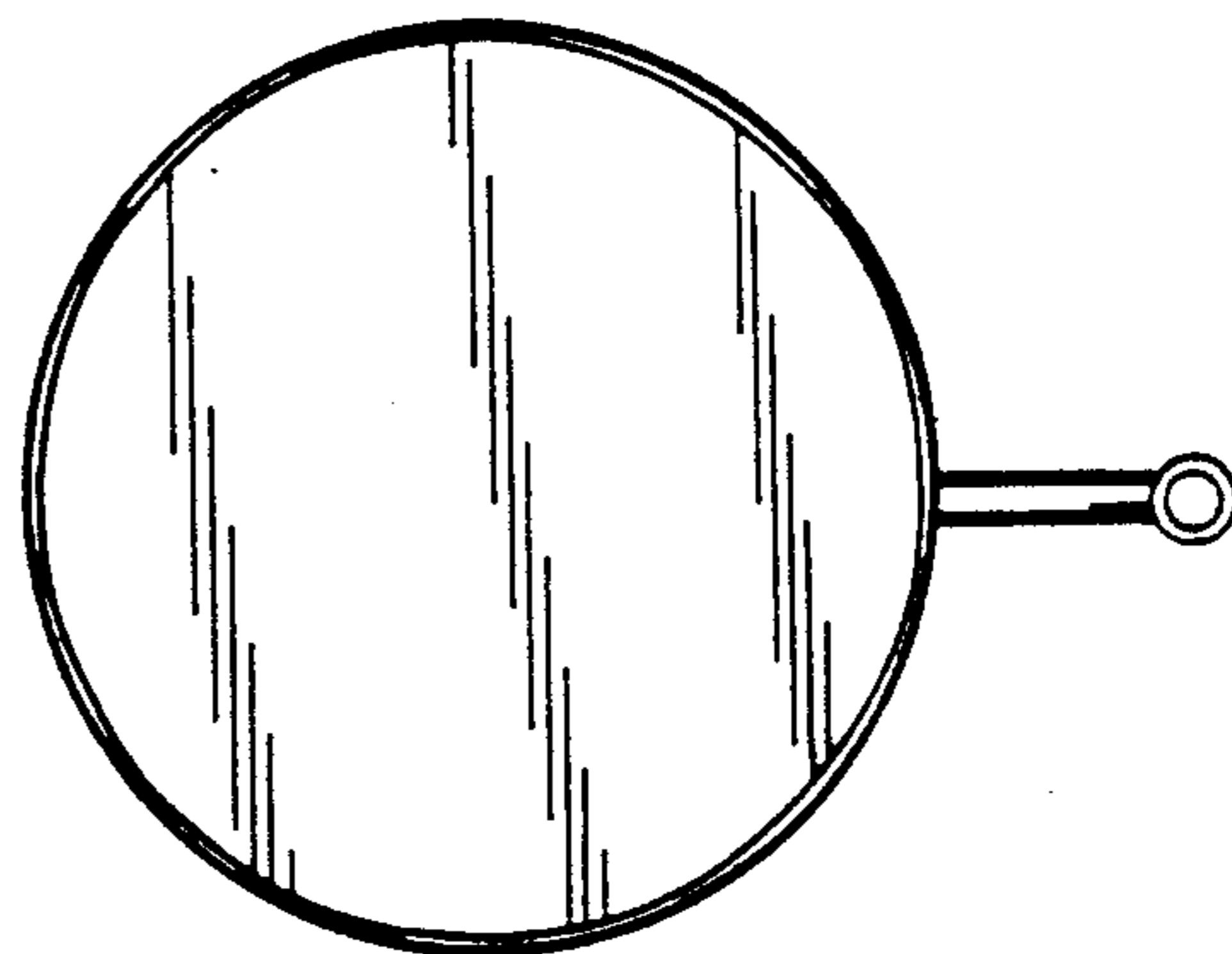


FIG. 6