

[54] **TOY CONSTRUCTION PIECE**

[75] **Inventor: Jens N. Knudsen, Billund, Denmark**

[73] **Assignee: Interlego A.G., Baar, Switzerland**

[**] **Term: 14 Years**

[21] **Appl. No.: 935,561**

[22] **Filed: Nov. 26, 1986**

[52] **U.S. Cl. D21/108**

[58] **Field of Search D21/108, 141, 114;
446/85, 117, 118, 119, 120, 121, 122, 124, 489,
490, 491**

[56] **References Cited**

U.S. PATENT DOCUMENTS

D. 279,915 7/1985 Pibet D21/108
D. 281,181 10/1985 Knudsen D21/108

FOREIGN PATENT DOCUMENTS

472110 9/1937 United Kingdom 446/121
860738 3/1986 World Int. Prop. O. 446/124

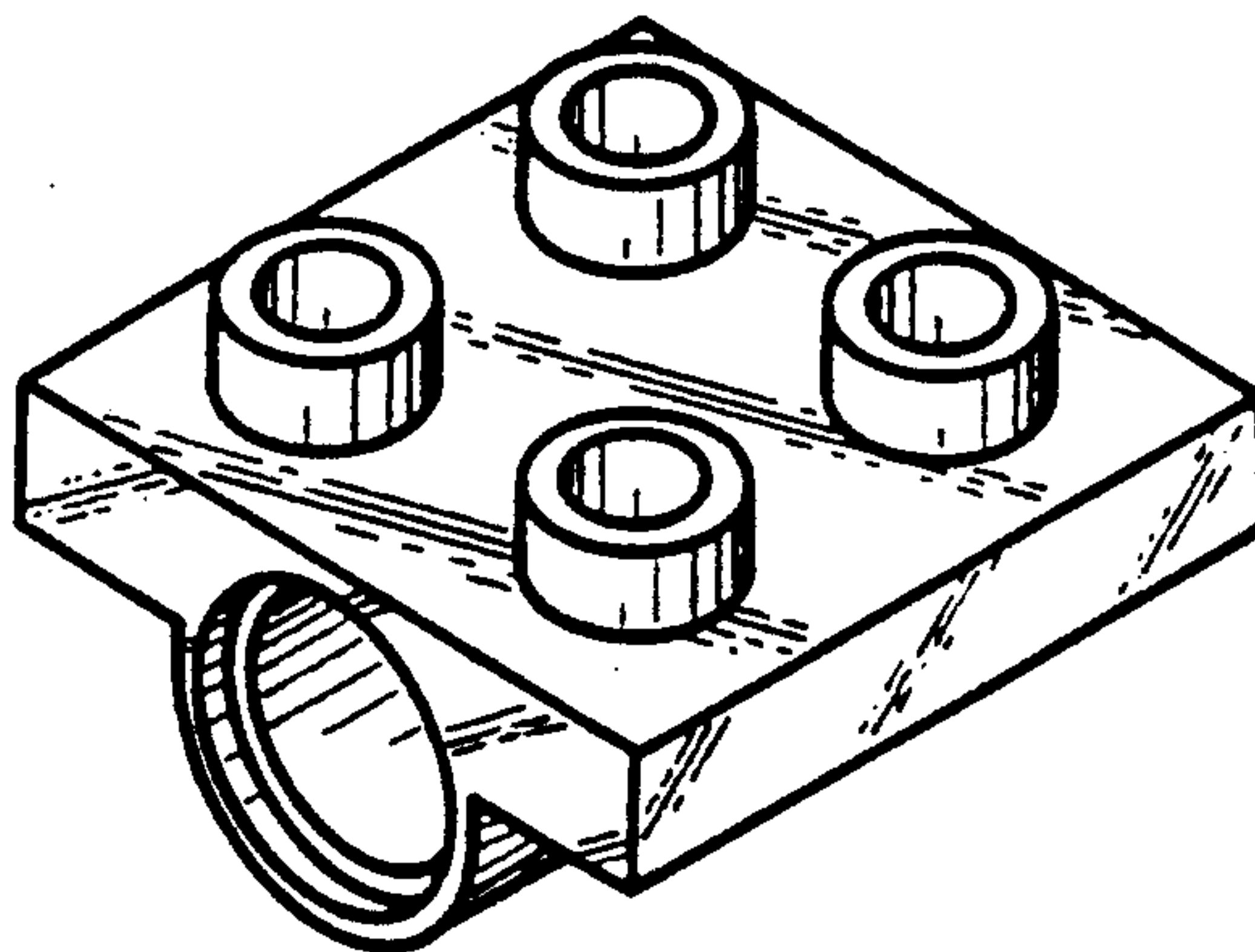
Primary Examiner—Charles A. Rademaker
Attorney, Agent, or Firm—Kane, Dalsimer, Sullivan,
Kurucz, Levy, Eisele and Richard

[57] **CLAIM**

The ornamental design for a toy construction piece, as shown and described.

DESCRIPTION

FIG. 1 is a top perspective view of a toy construction piece showing my new design,
FIG. 2 is a bottom perspective view thereof,
FIG. 3 is a front elevational view thereof,
FIG. 4 is a right side elevational view thereof,
FIG. 5 is a left side elevational view thereof,
FIG. 6 is a top plan view thereof,
FIG. 7 is a bottom plan view thereof, and
FIG. 8 is a rear elevational view thereof.



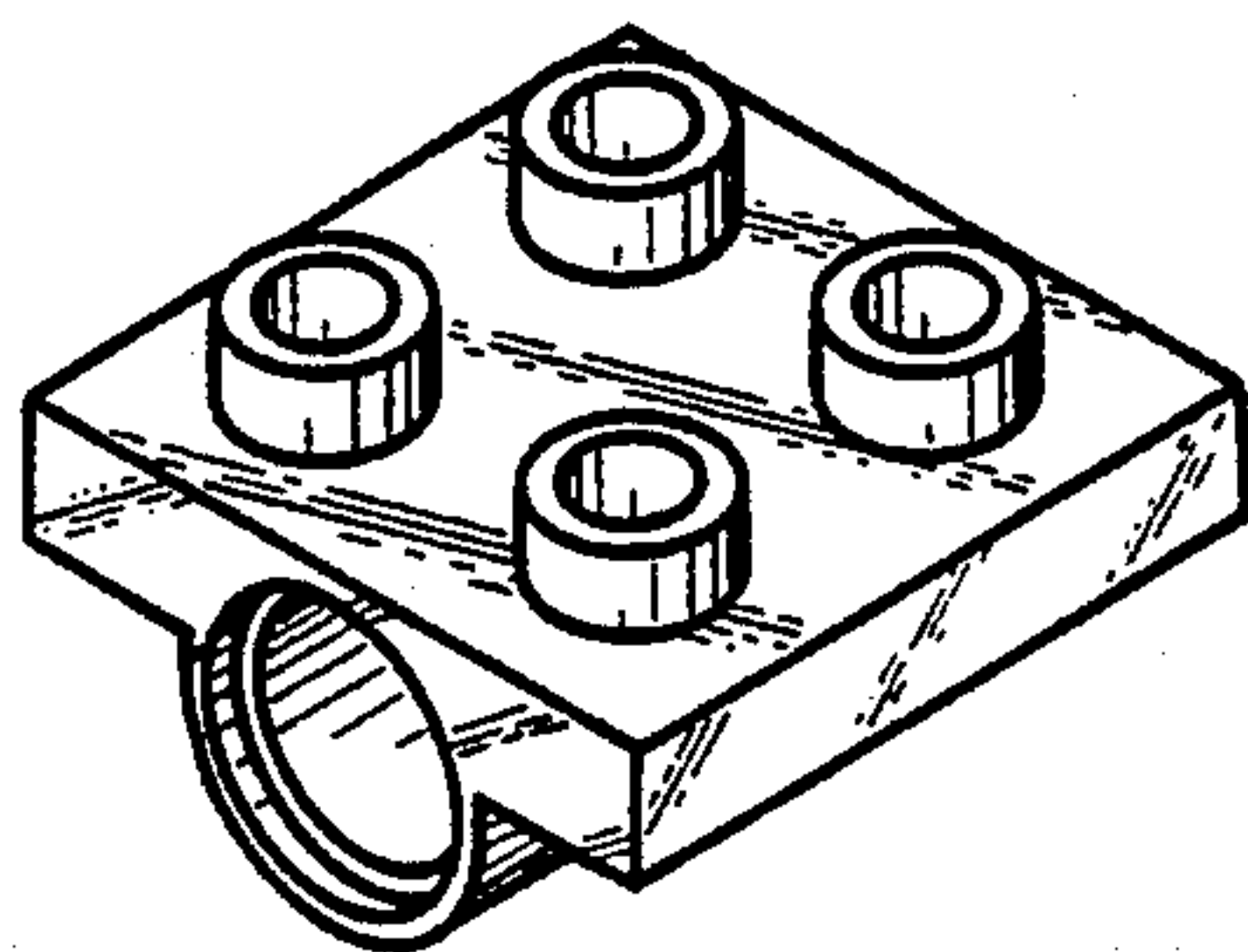


FIG. 1

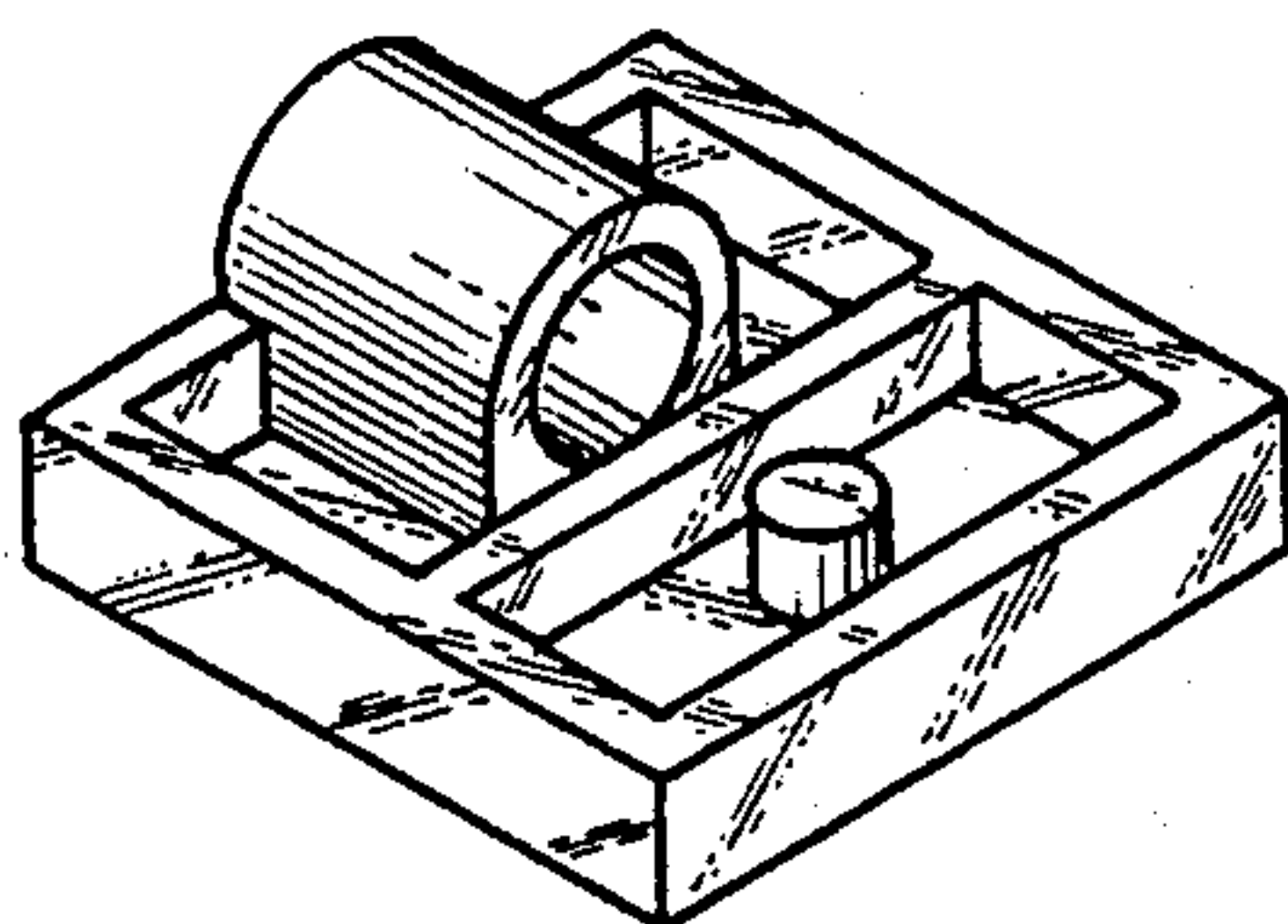


FIG. 2

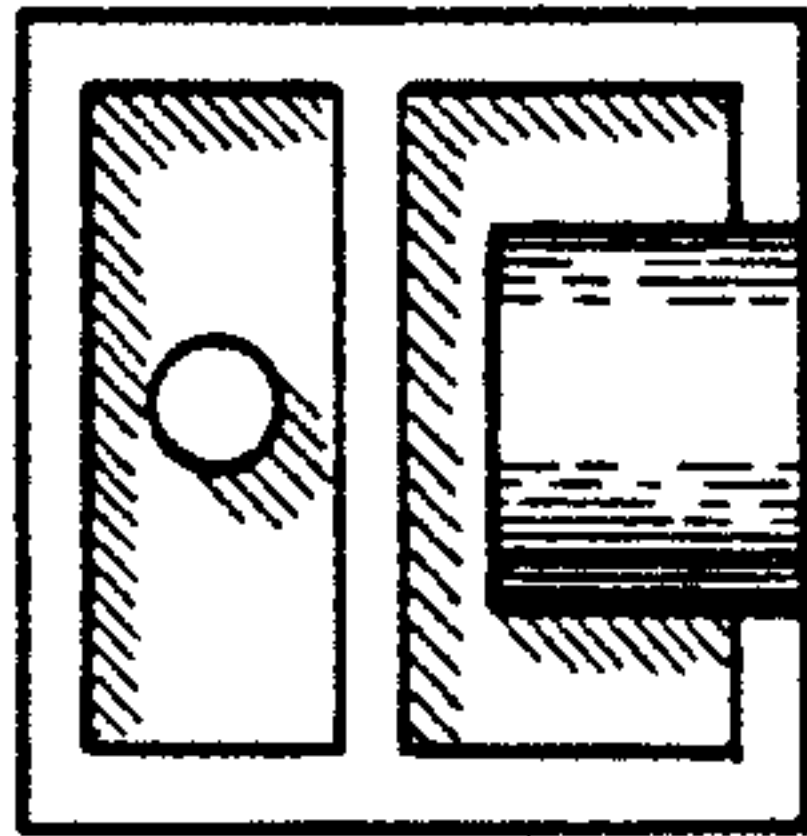


Fig. 7

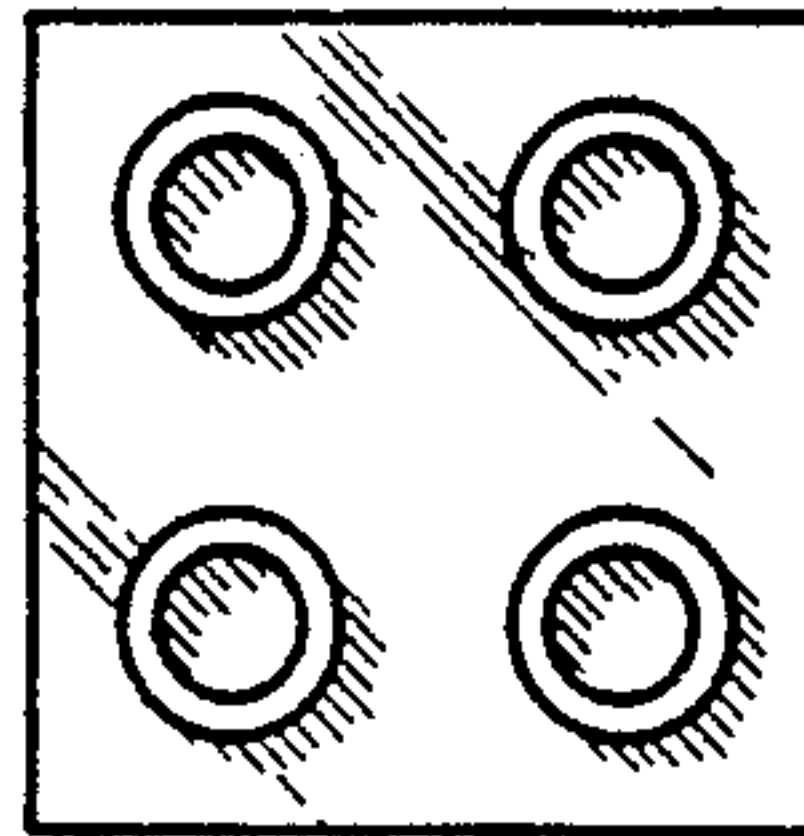


Fig. 6

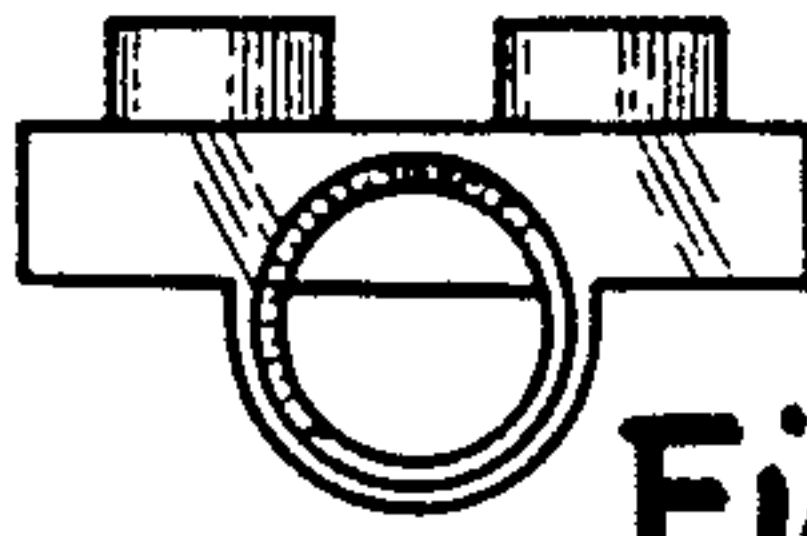


Fig. 3

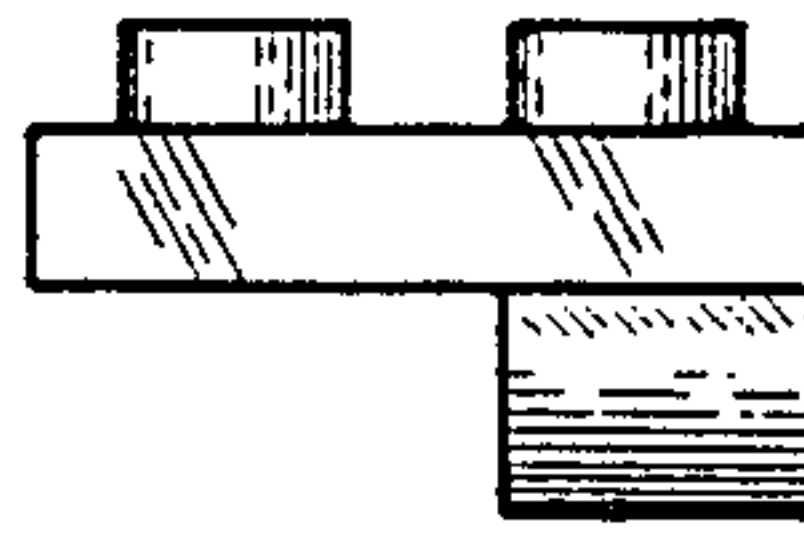


Fig. 5

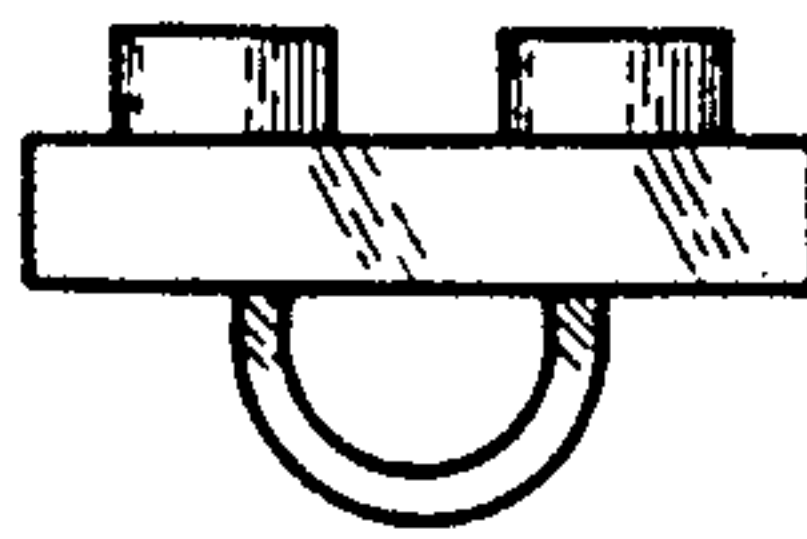


Fig. 8

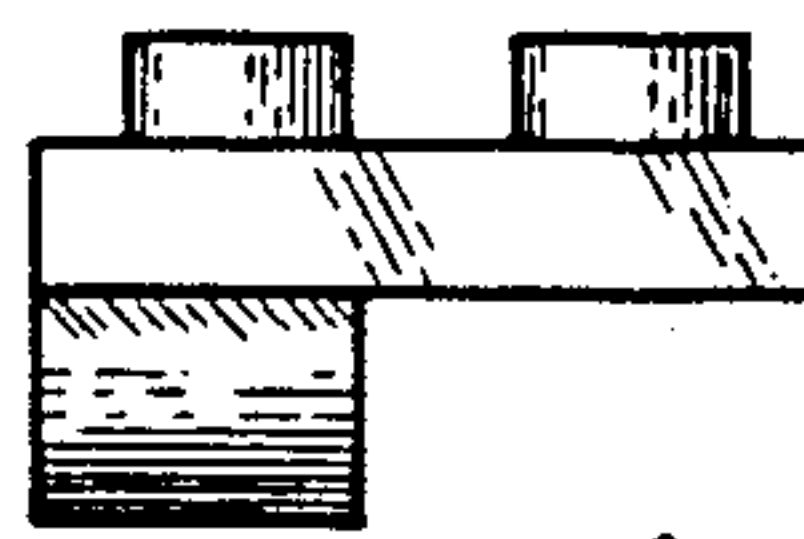


Fig. 4