

[54] PRINTER STAND

[75] Inventor: Wallace R. Currie, Dallas, Tex.

[73] Assignee: Balt, Inc., Irving, Tex.

[**] Term: 14 Years

[21] Appl. No.: 876,388

[22] Filed: Jun. 20, 1986

[52] U.S. Cl. D18/23; D6/462

[58] Field of Search D18/13, 22, 23; D14/107, 111, 114; D6/407, 462; 312/208; 493/410; 400/689-694; 211/181

[56] References Cited

U.S. PATENT DOCUMENTS

D. 95,421	4/1935	Hays	D6/462
D. 129,926	10/1941	Patton	D6/462
D. 250,765	1/1979	Smith	D14/114
D. 284,289	6/1986	Cavanagh	D18/22
3,927,768	12/1975	Cohen	211/181 X

OTHER PUBLICATIONS

IBM Technical Disclosure Bulletin, vol. 4, No. 1, 6/1961, p. 1—fan fold paper rack.
Global Computer Supplies cat. C51, ©1984, p. 32—'Organizer', Desktop Printer Stand at bottom left.

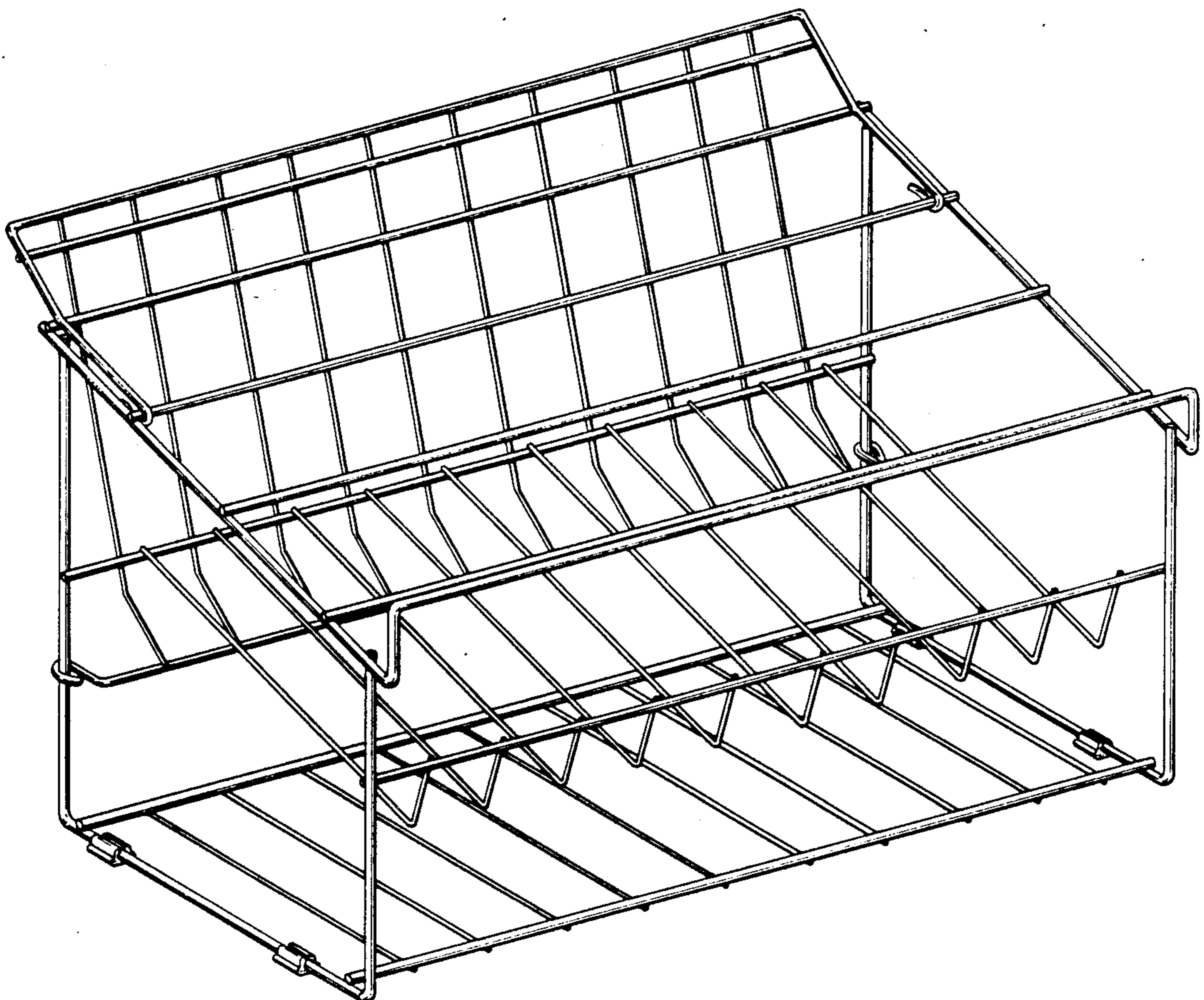
Primary Examiner—Louis S. Zarfes
Attorney, Agent, or Firm—Stanley R. Moore

[57] CLAIM

The ornamental design for a printer stand, as shown and described.

DESCRIPTION

FIG. 1 is a perspective view of a printer stand showing my new design;
FIG. 2 is a side-elevational view of the printer stand of FIG. 1, taken from the left side thereof and which is identical to the right side view thereof;
FIG. 3 is a front-elevational view of the printer stand of FIG. 1;
FIG. 4 is a rear-elevational view of the printer stand of FIG. 1;
FIG. 5 is a top plan view of the printer stand of FIG. 1; and
FIG. 6 is a bottom plan view of the printer stand of FIG. 1.



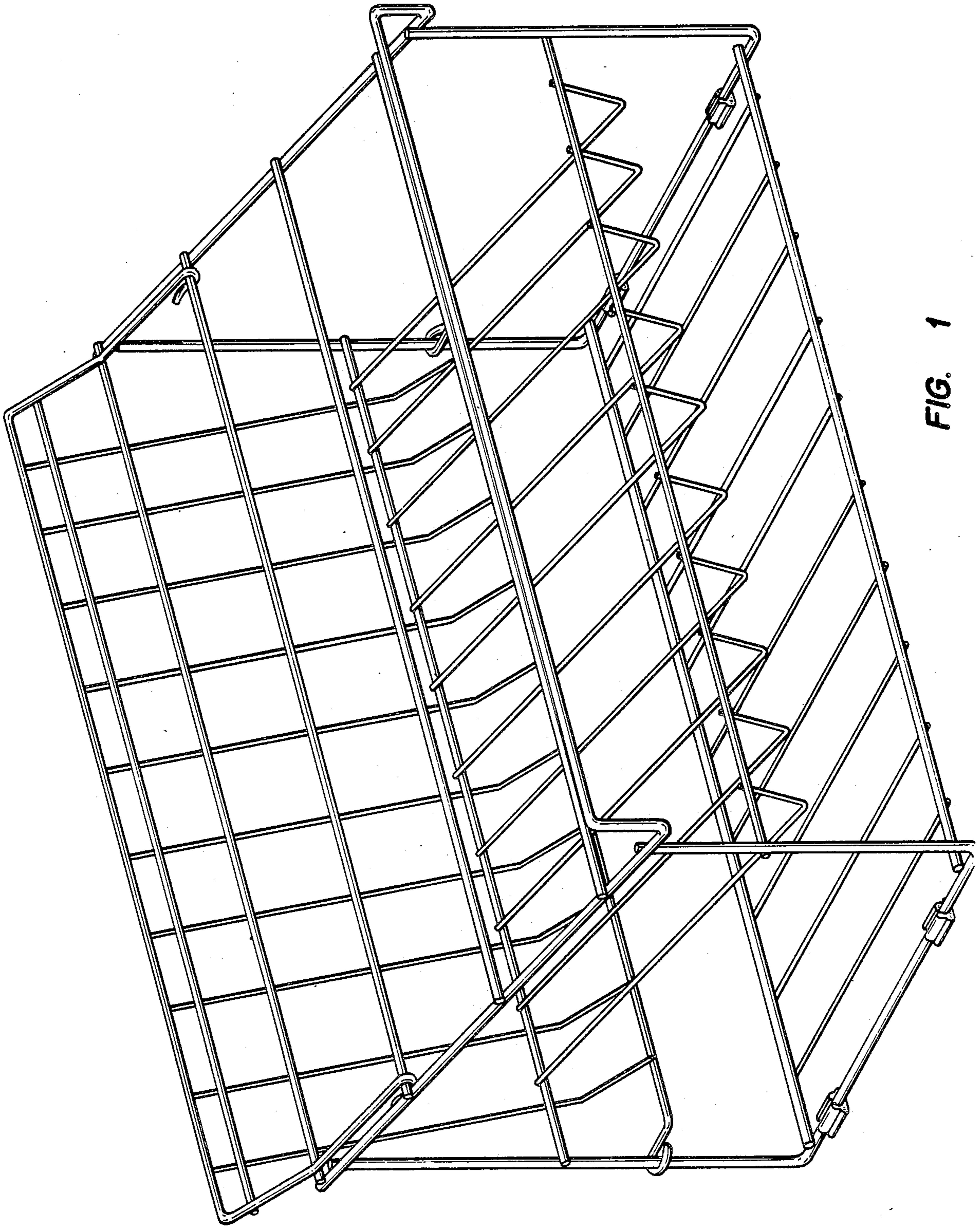


FIG. 1

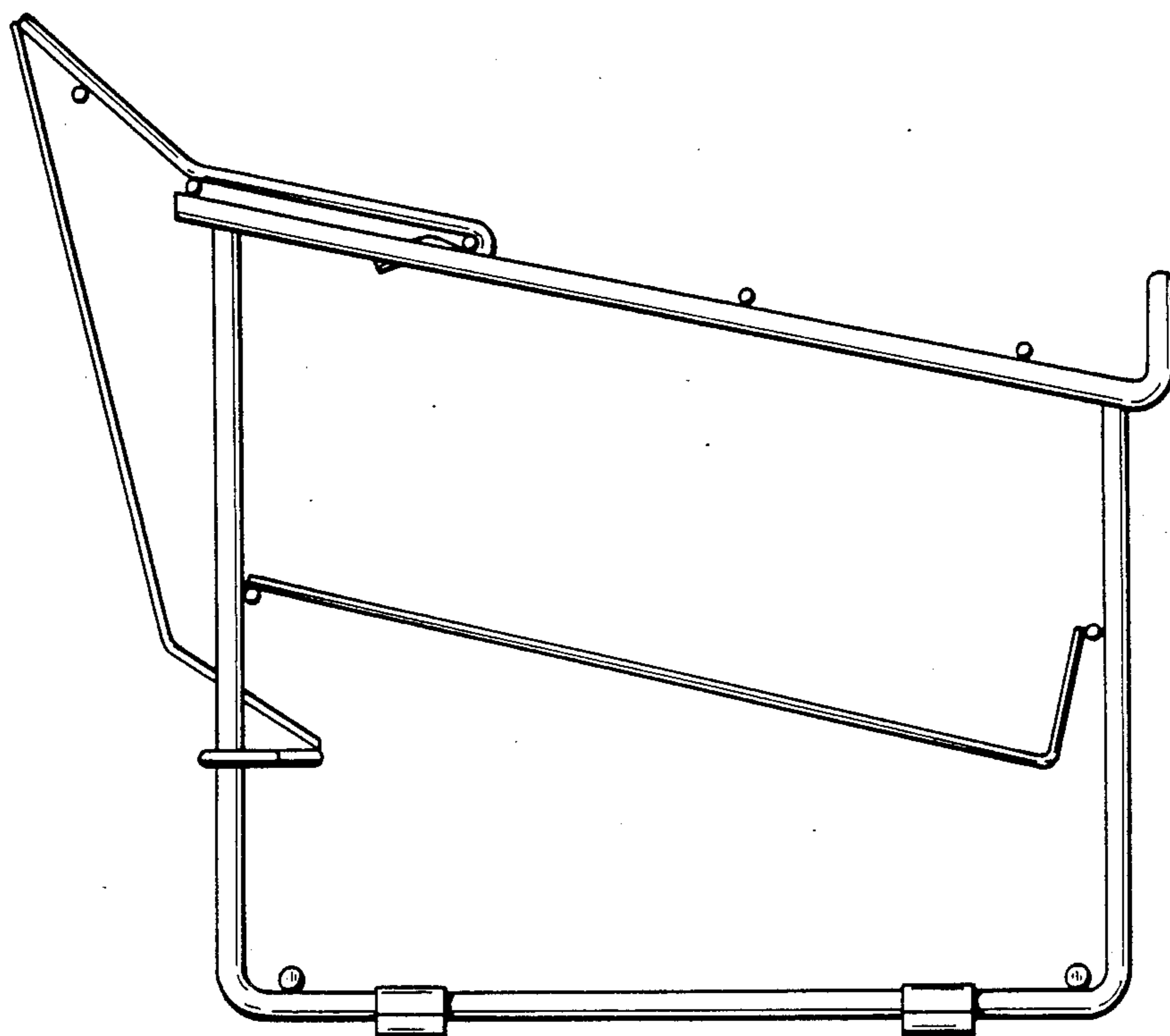


FIG. 2

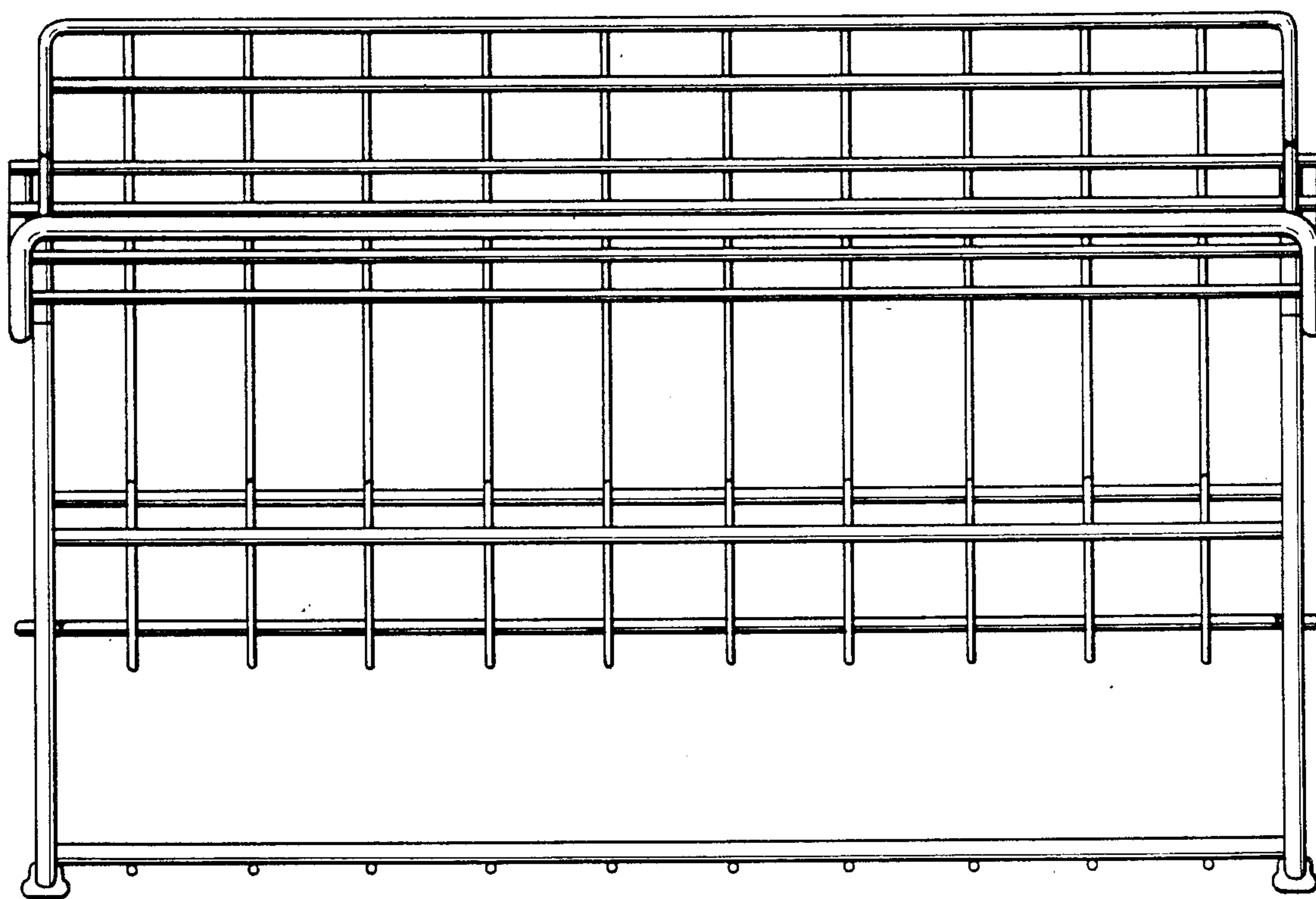


FIG. 3

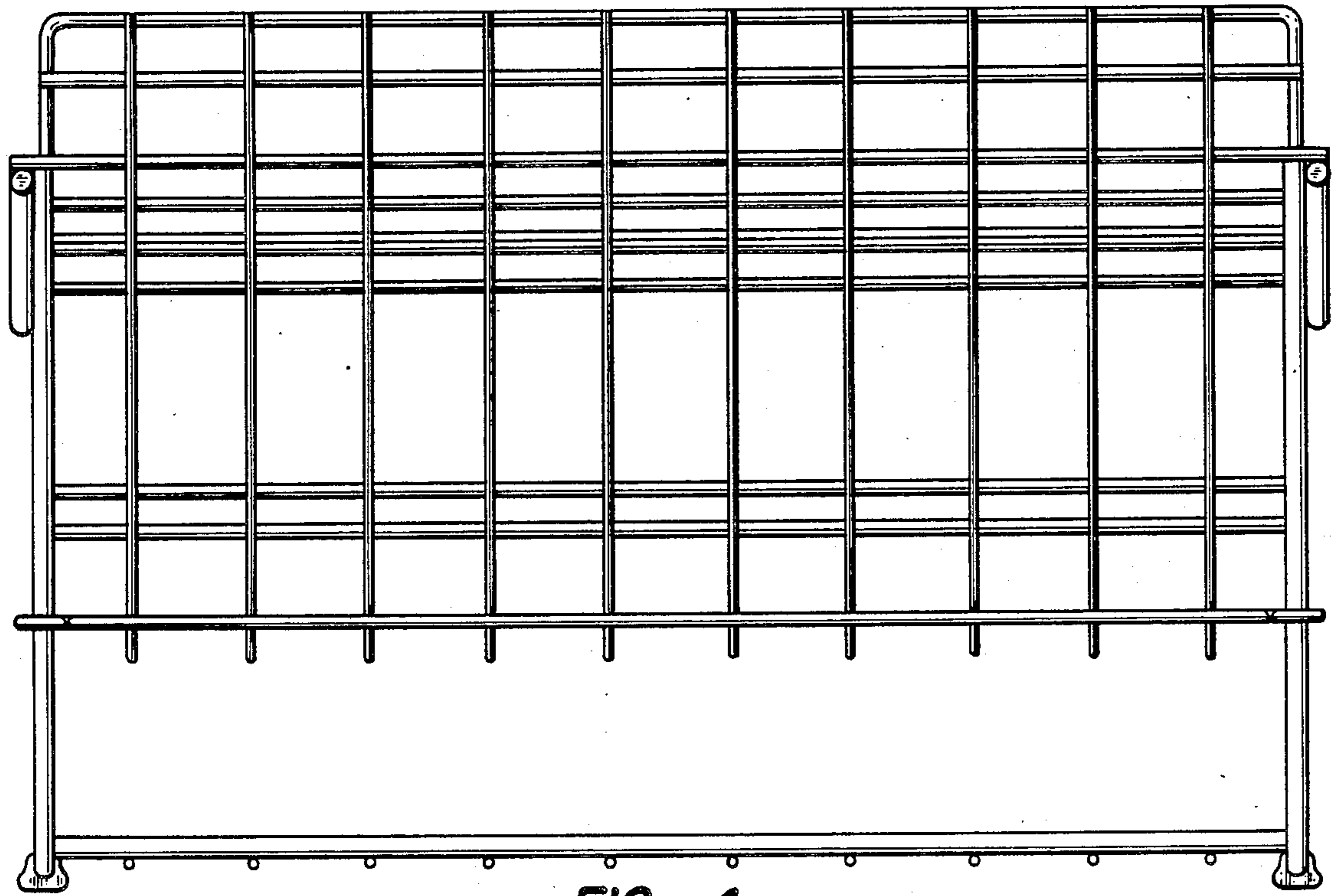


FIG. 4

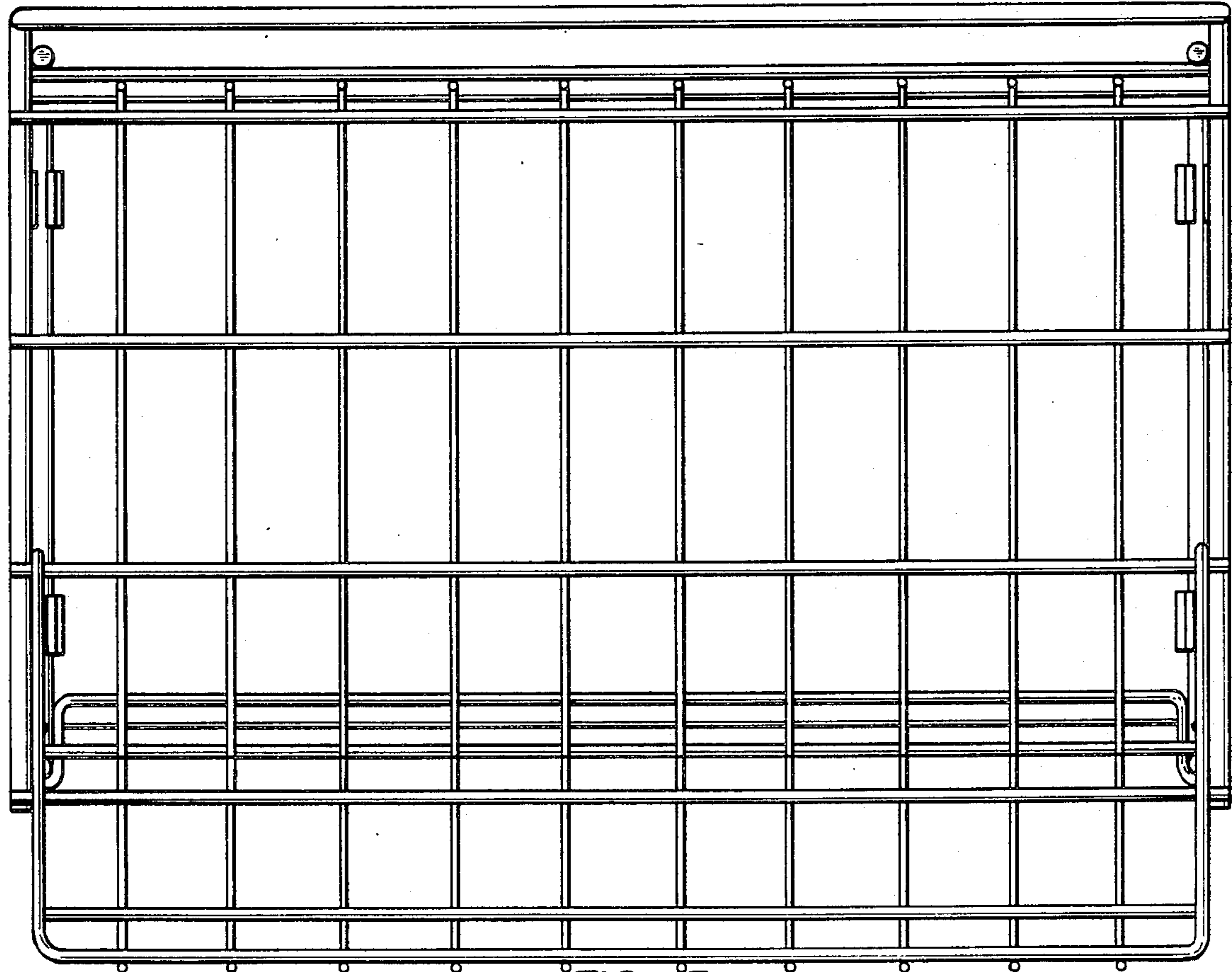


FIG. 5

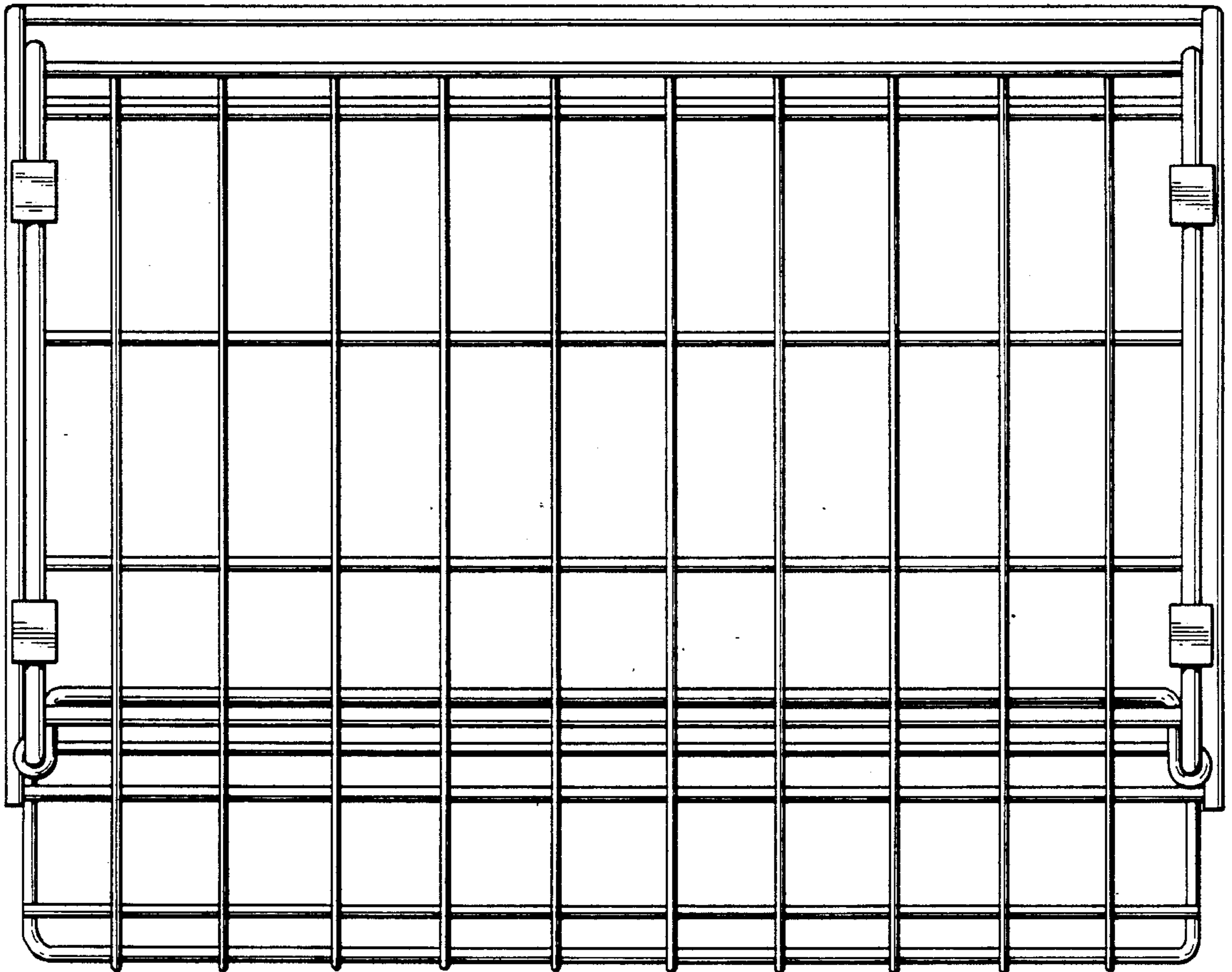


FIG. 6