

[54] BINOCULARS

D. 146,487 3/1947 Shields D16/133
D. 222,563 11/1971 Maguire D16/133

[75] Inventor: Steven E. Hilko, Buffalo, N.Y.

Primary Examiner—A. Hugo Word
Assistant Examiner—Stella M. Reid
Attorney, Agent, or Firm—Cumpston & Shaw

[73] Assignee: The Quaker Oats Company, Chicago, Ill.

[**] Term: 14 Years

[57] CLAIM

[21] Appl. No.: 786,293

The ornamental design for binoculars, substantially as shown and described.

[22] Filed: Oct. 10, 1985

DESCRIPTION

[52] U.S. Cl. D16/133

[58] Field of Search D16/133, 130, 132;
350/553, 545, 551, 145

FIG. 1 is a top plan view of binoculars showing my new design;

FIG. 2 is a front elevational view thereof;

FIG. 3 is a bottom plan view thereof;

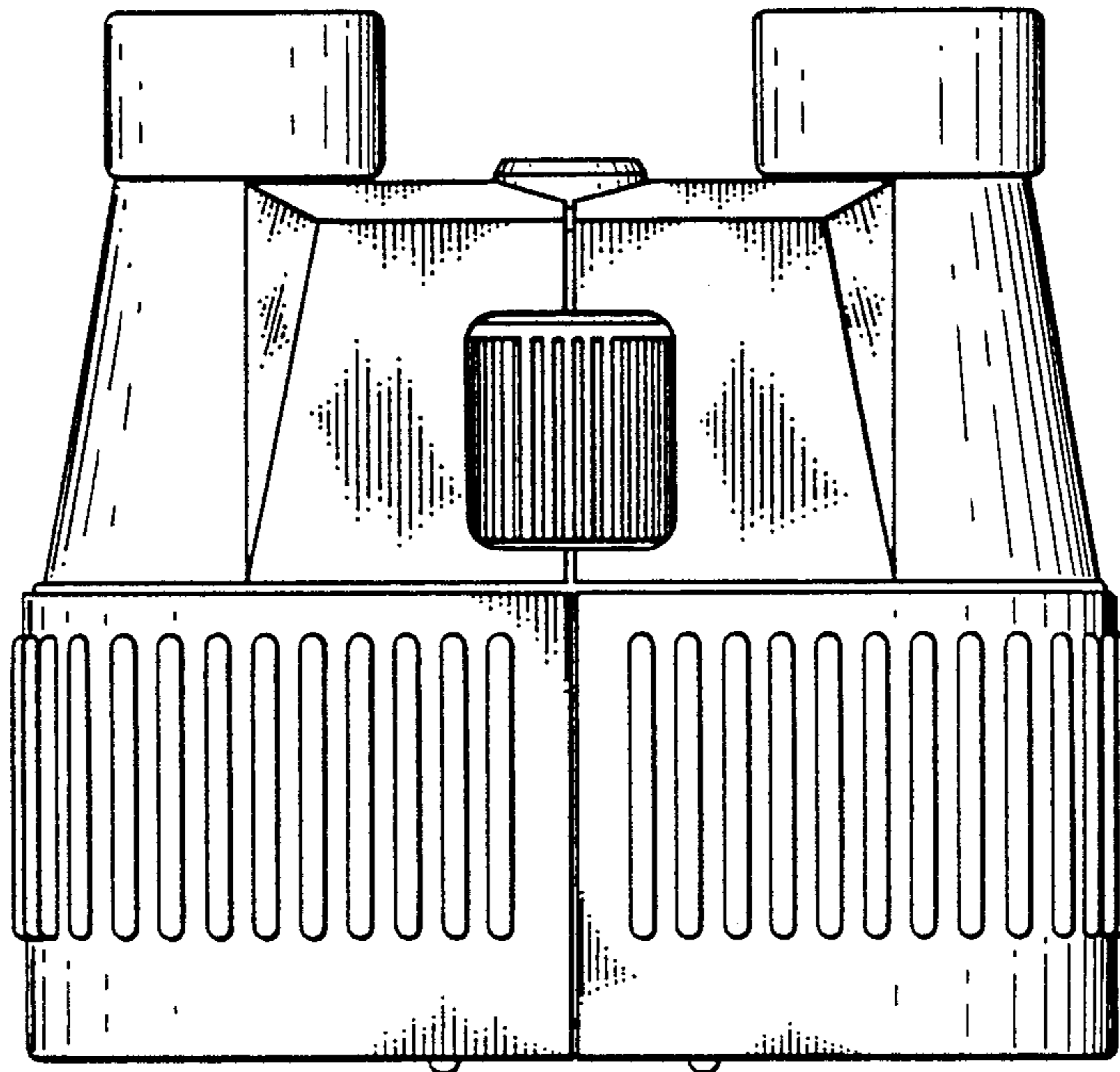
FIG. 4 is a rear elevational view thereof; and

FIG. 5 is a left-side elevational view thereof, the right side being substantially a mirror image.

[56] References Cited

U.S. PATENT DOCUMENTS

D. 117,169 10/1939 Dobrusin D16/133



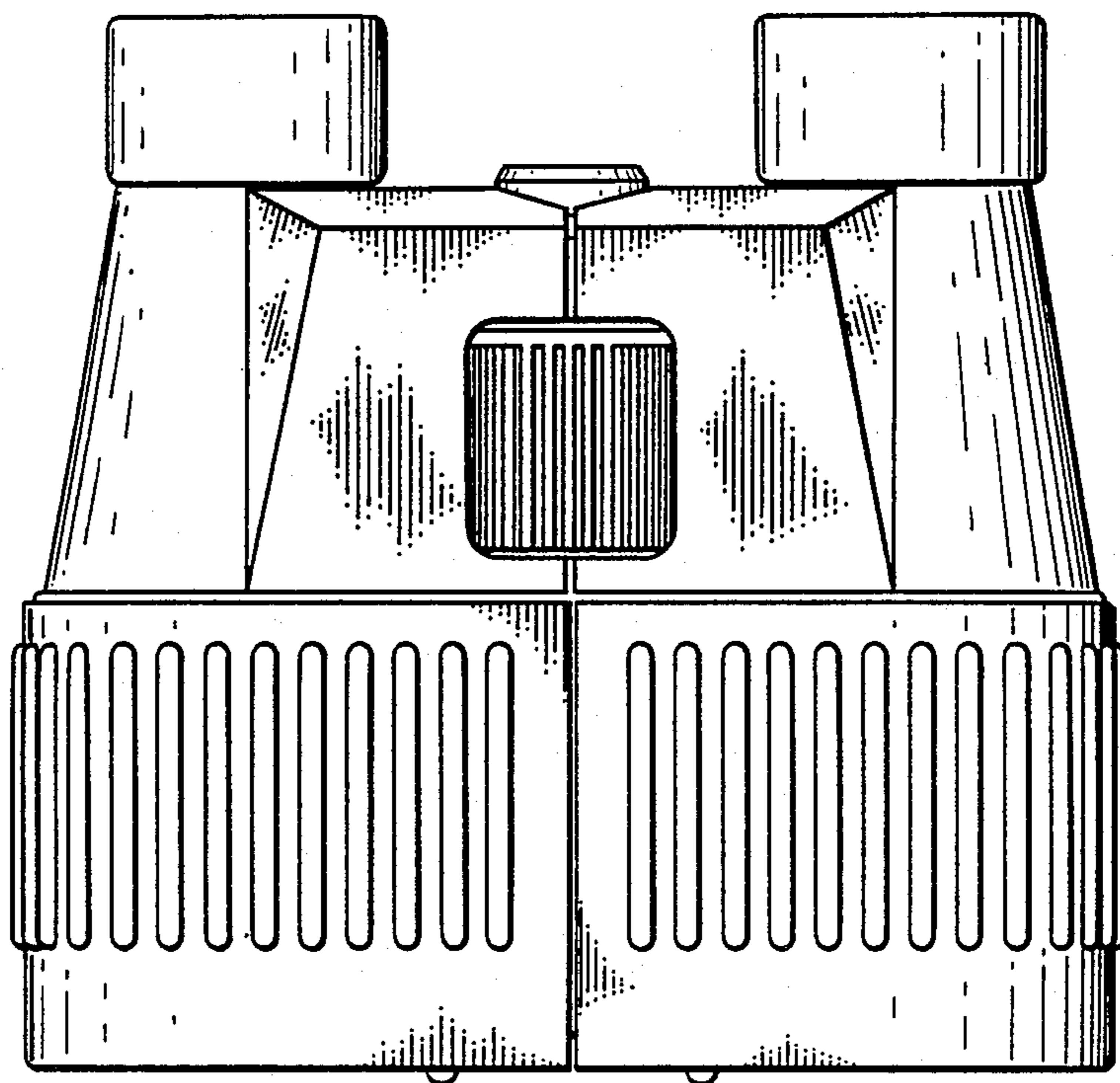


FIG. 1

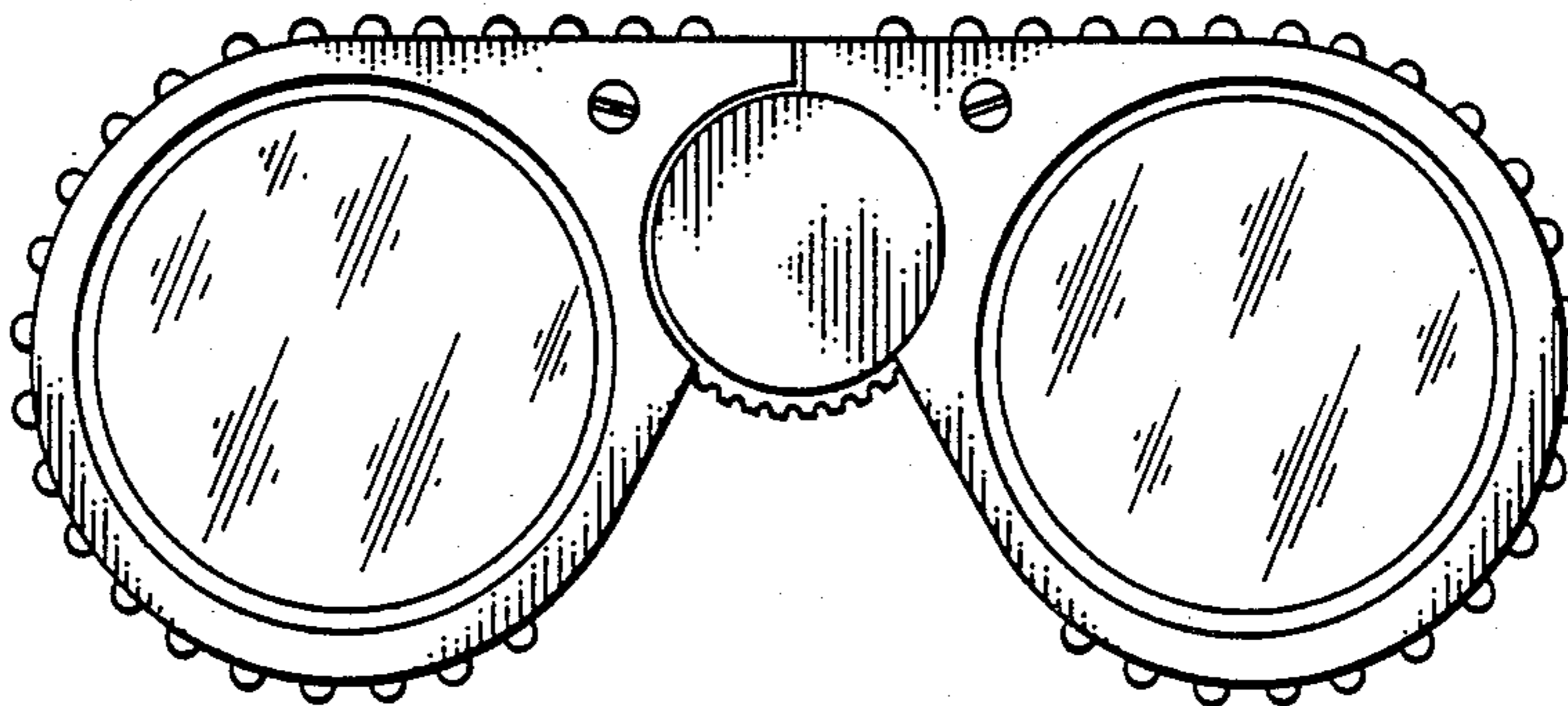


FIG. 2

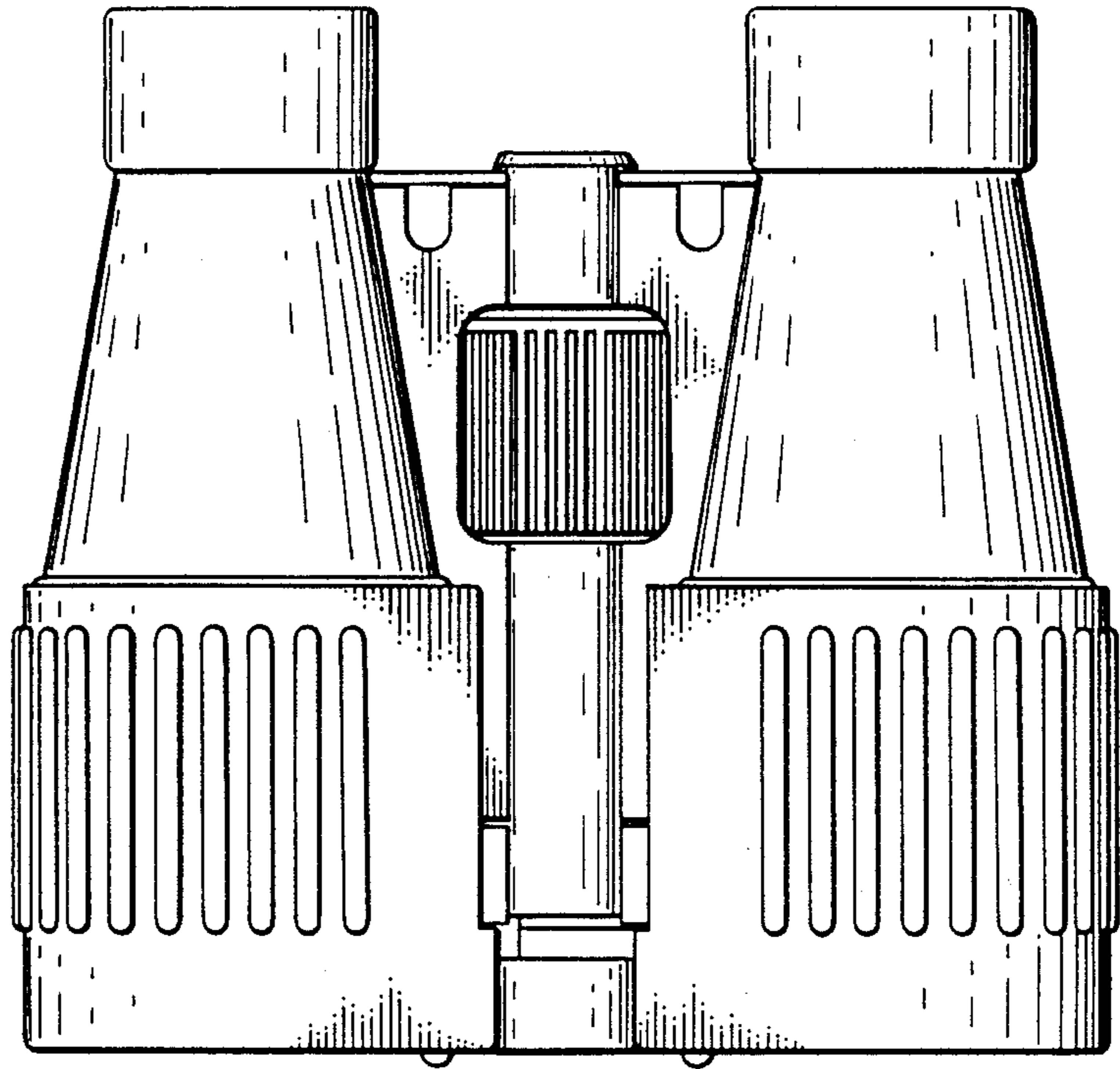


FIG. 3

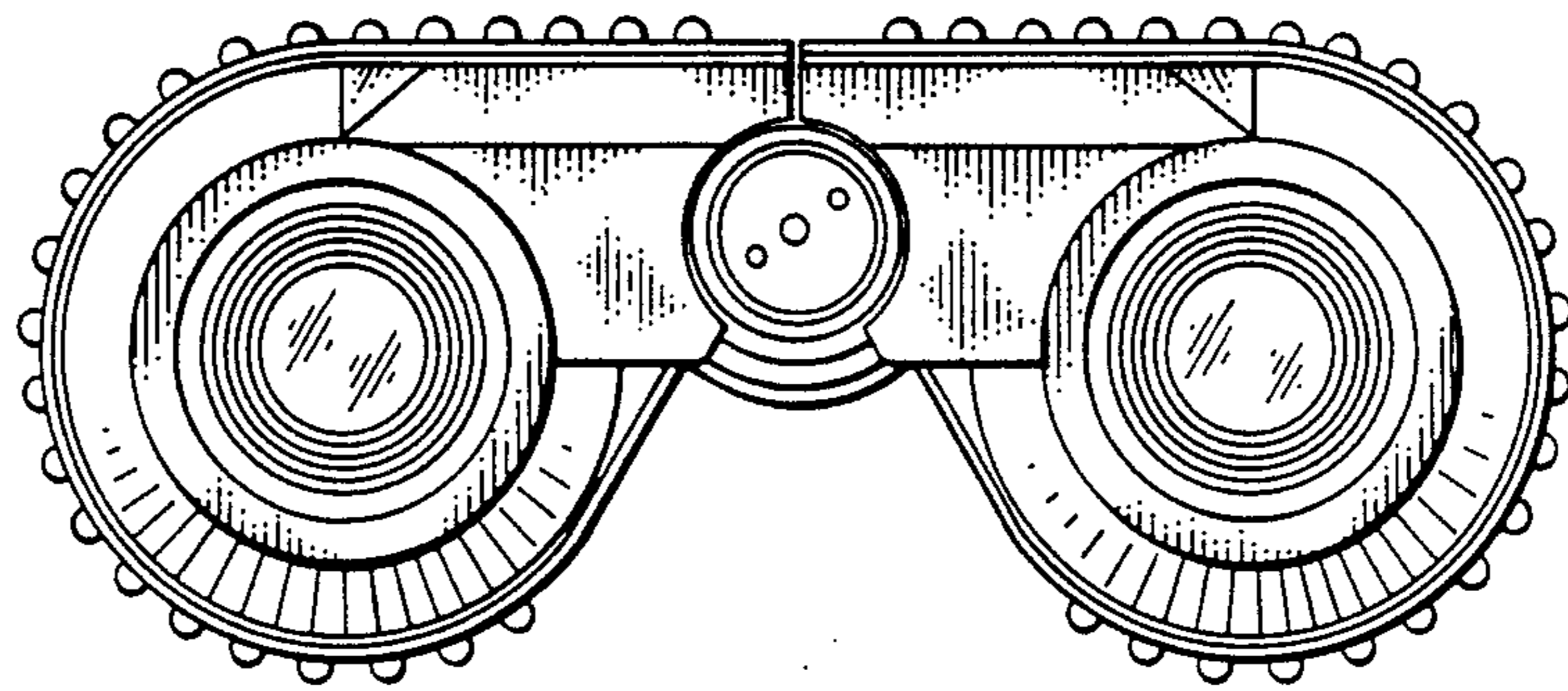


FIG. 4

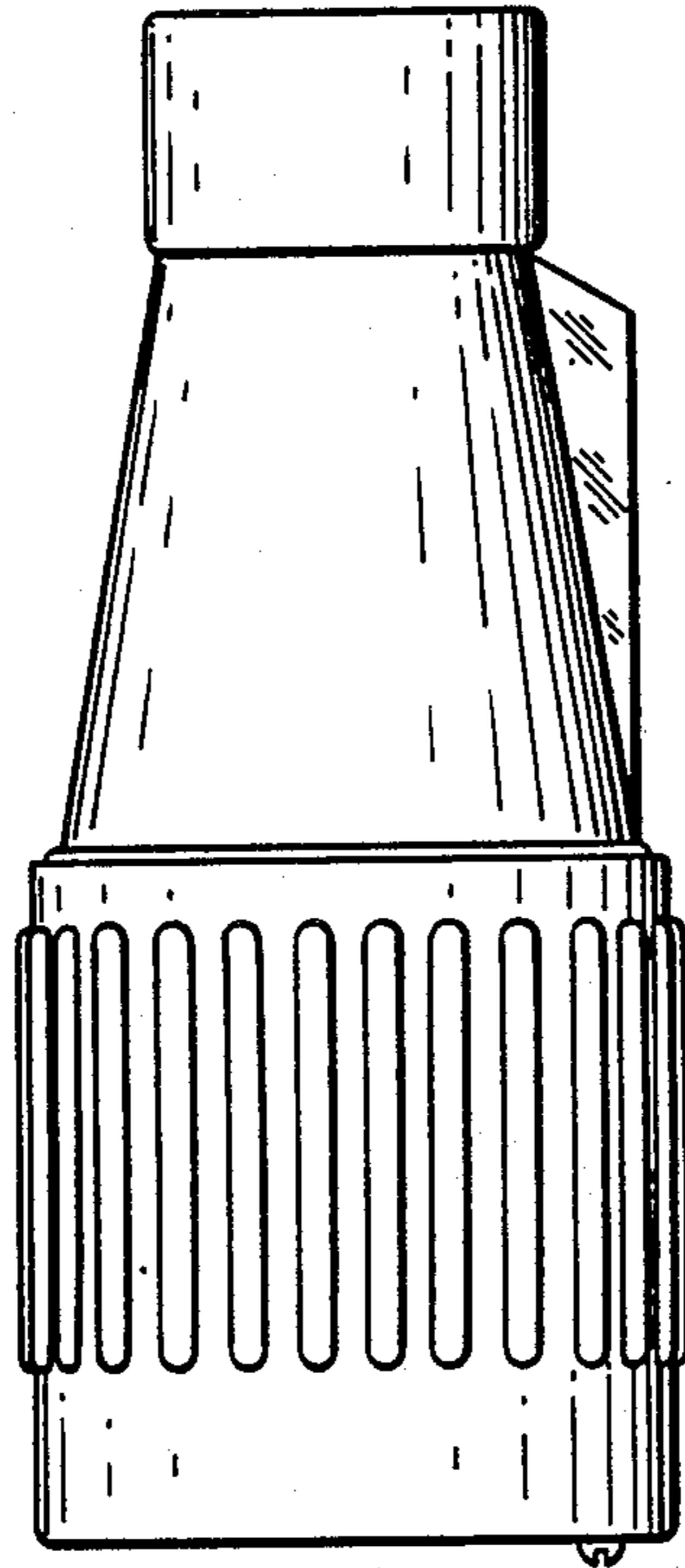


FIG. 5