

[54] CULTIVATOR TOOL

2,808,772 10/1957 Mabe ..... 172/690  
4,178,999 12/1979 Hansen ..... 172/690  
4,269,273 5/1981 Colville ..... 172/413

[76] Inventor: Esmael Baeta, 21284 N. Ray Rd.,  
Lodi, Calif. 95240

[\*\*] Term: 14 Years

Primary Examiner—Wallace R. Burke  
Assistant Examiner—Ruth Takemoto  
Attorney, Agent, or Firm—Mark C. Jacobs

[21] Appl. No.: 739,532

[57] CLAIM

[22] Filed: May 31, 1985

The ornamental design for cultivator tool, substantially  
as shown and described.

[52] U.S. Cl. .... D15/27

[58] Field of Search ..... D15/10-11,  
D15/26-29; 172/779.5, 196, 413, 675, 676,  
684.5, 690, 699, 700, 713; 56/229, 289, DIG. 20

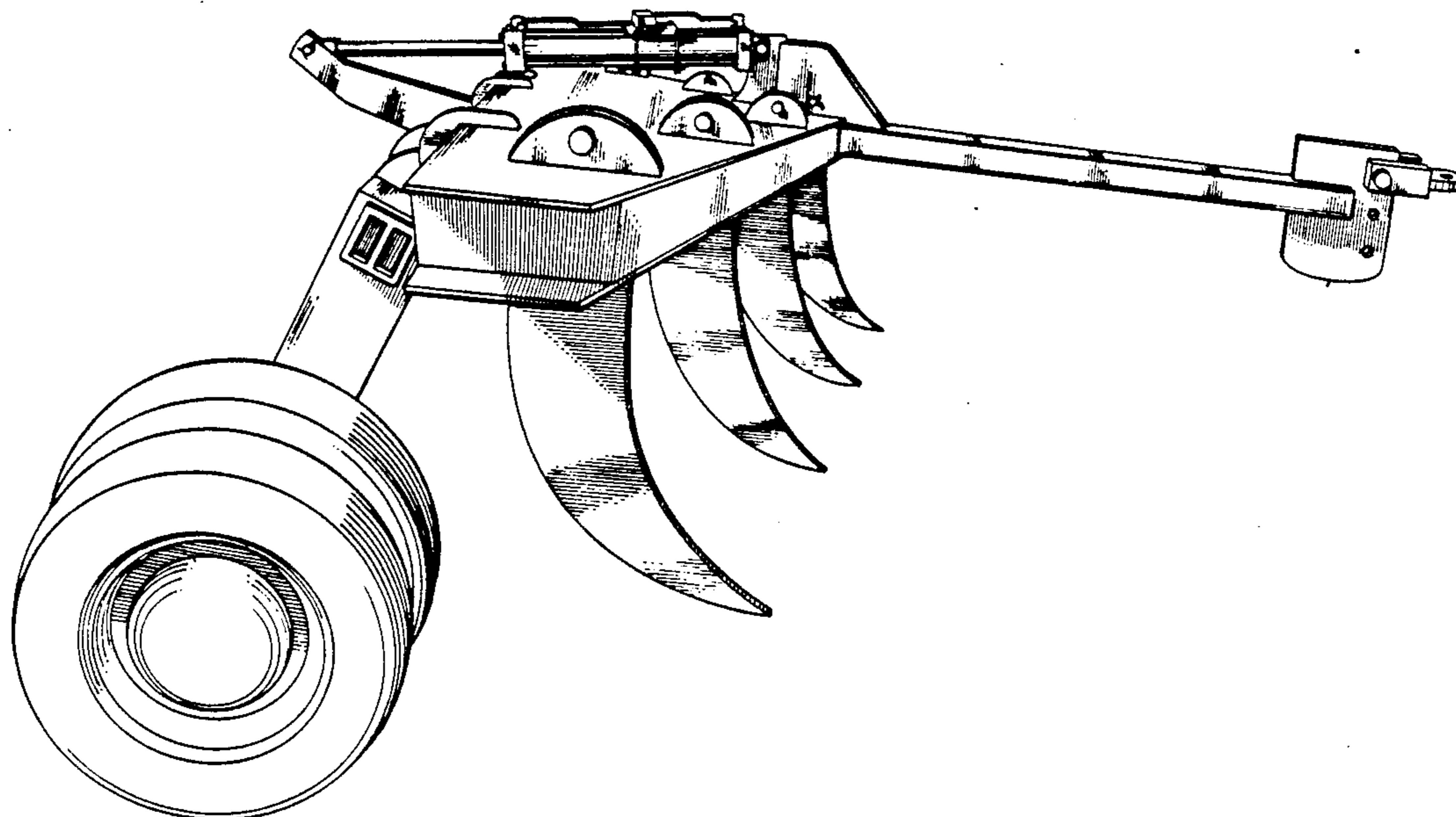
DESCRIPTION

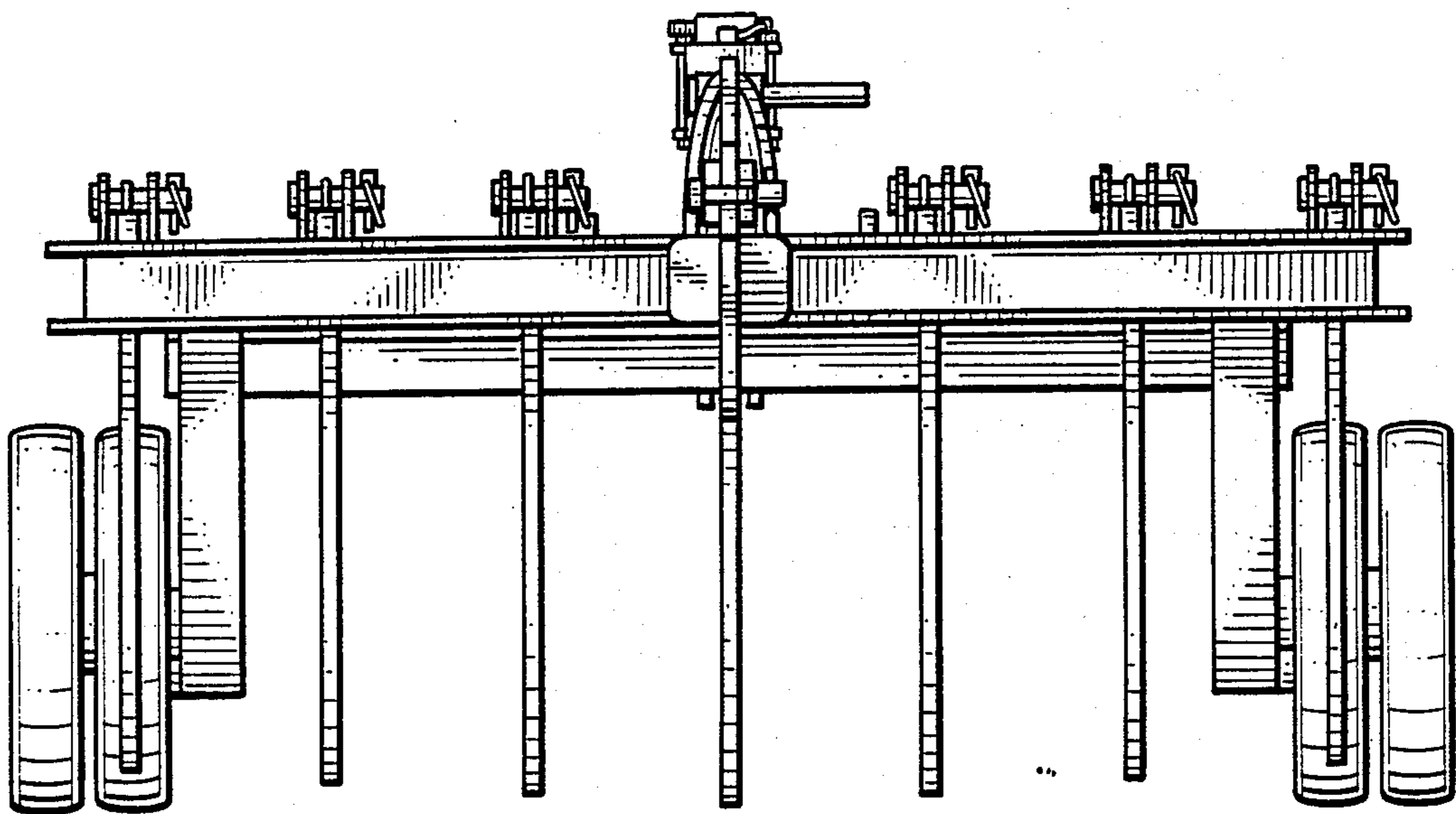
[56] References Cited

U.S. PATENT DOCUMENTS

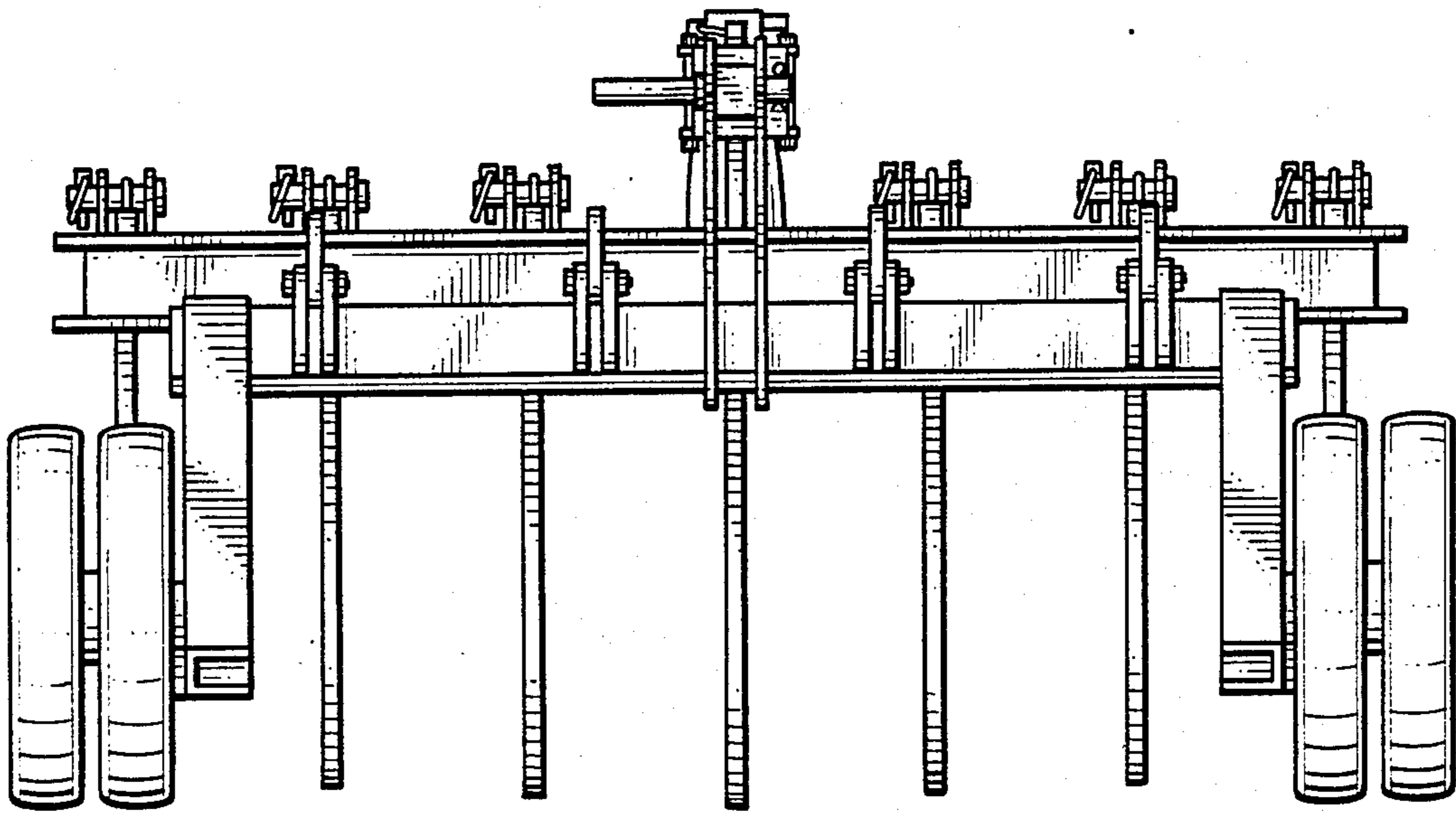
176,375	4/1876	Stoever	172/690
469,123	2/1892	Burruss	172/690
1,286,581	12/1918	Garrett	172/690
2,797,629	7/1957	Kelley	172/699

FIG. 1 is a front elevational view of a cultivator tool  
showing my new design;  
FIG. 2 is a rear elevational view thereof;  
FIG. 3 is a left side elevational view thereof;  
FIG. 4 is a right side elevational view thereof;  
FIG. 5 is a top plan view thereof;  
FIG. 6 is a bottom plan view thereof; and  
FIG. 7 is a top, front and side perspective view thereof.





*Fig. 1.*



*Fig. 2.*

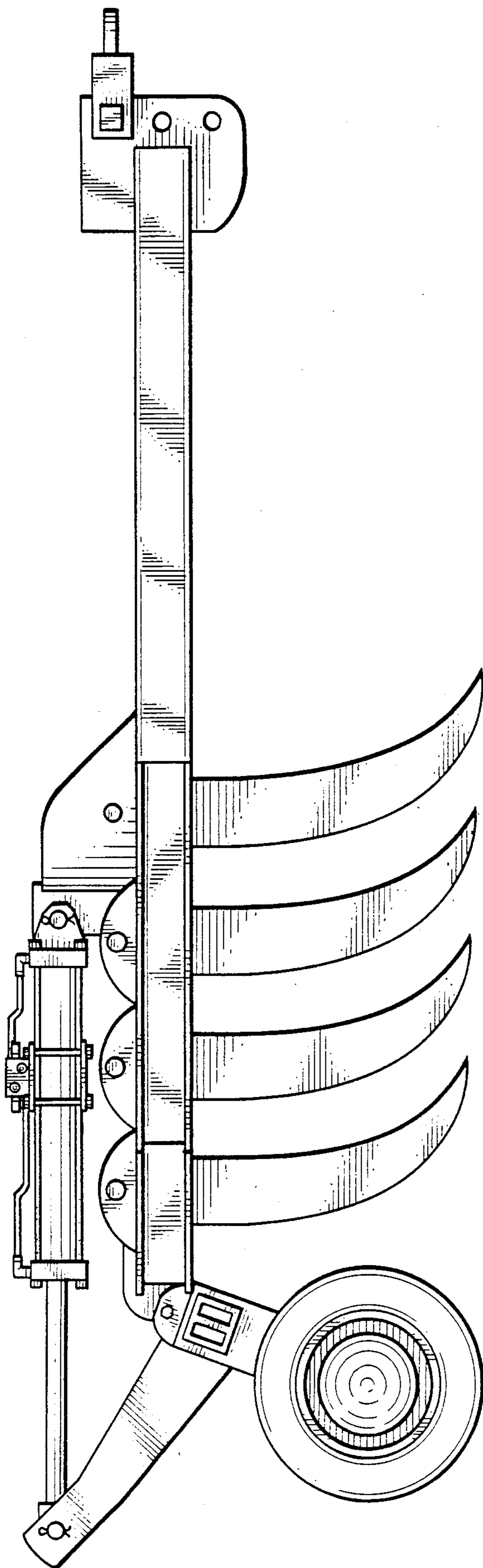


Fig. 3.

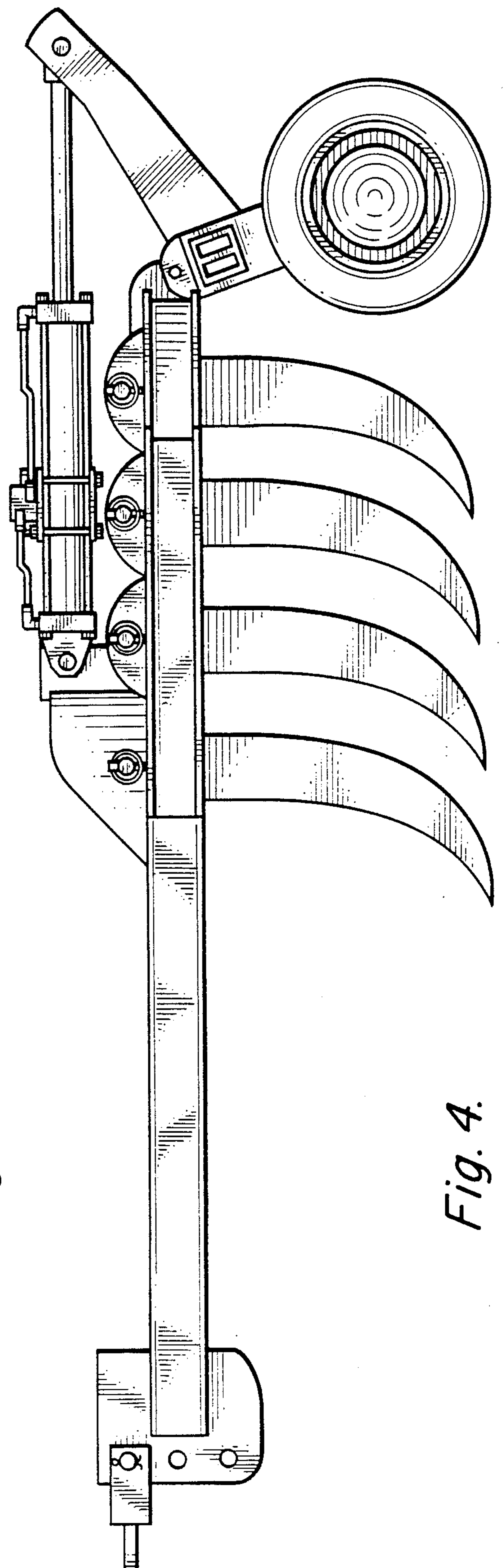


Fig. 4.

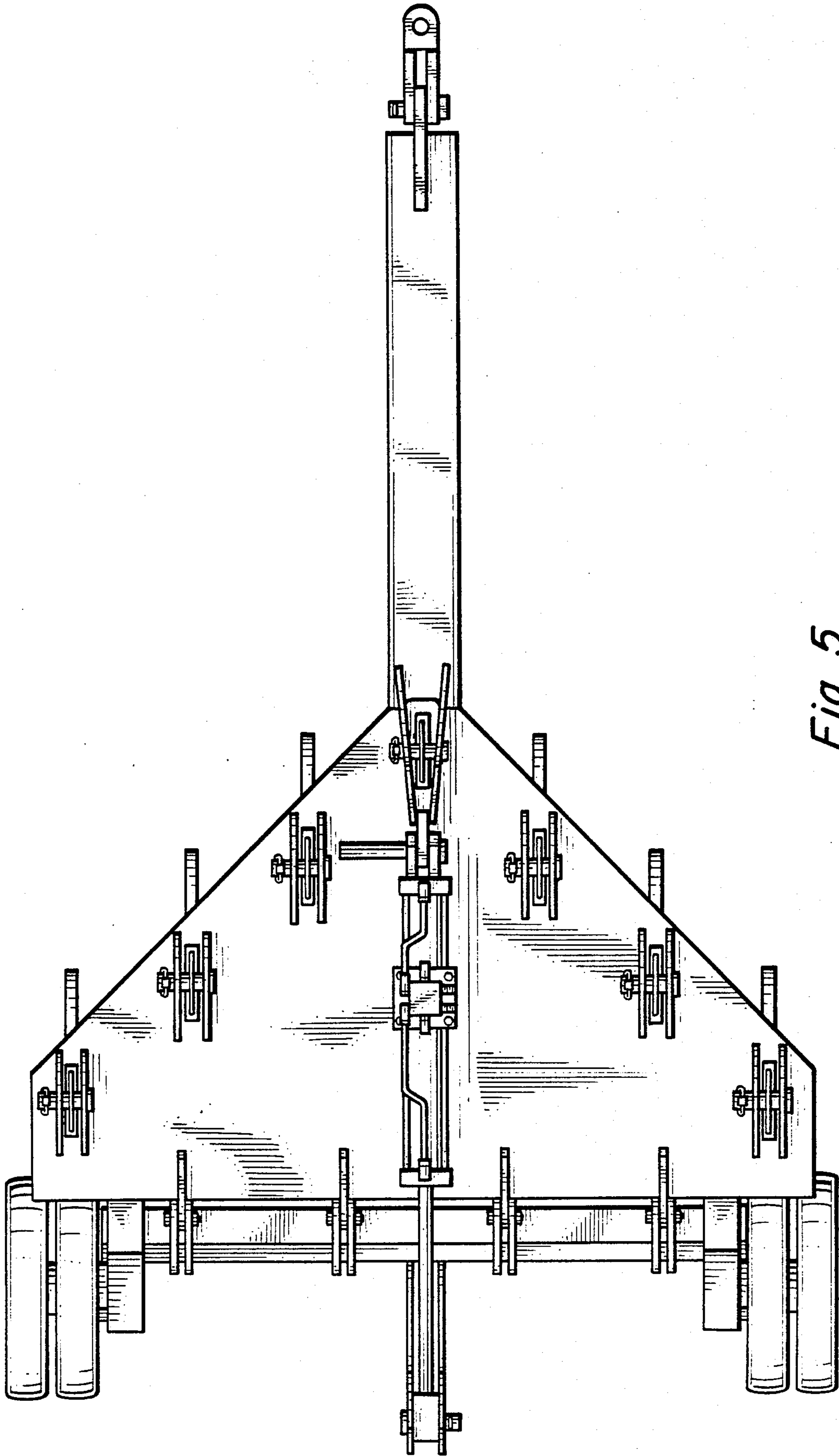


Fig. 5.

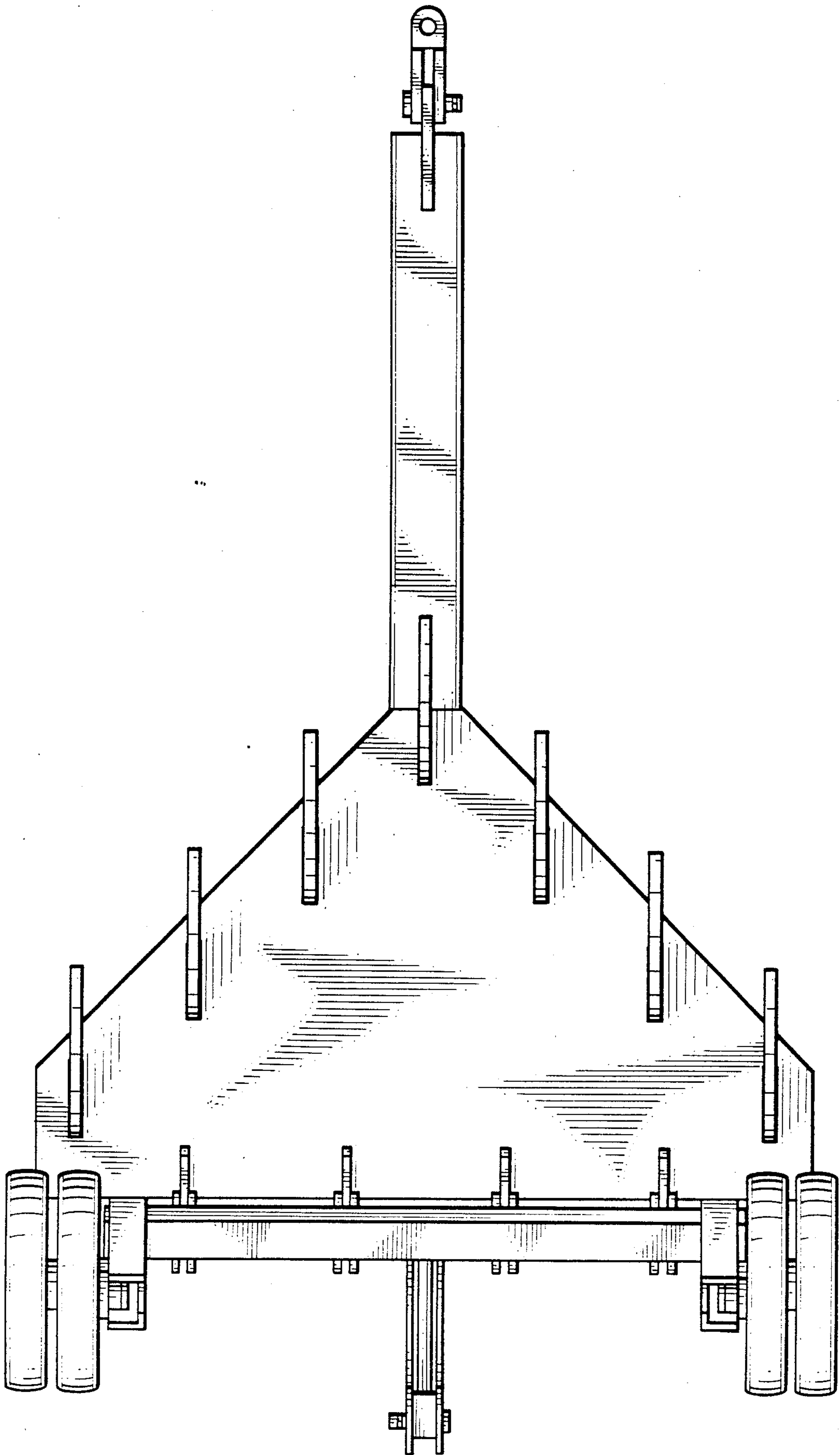


Fig. 6.

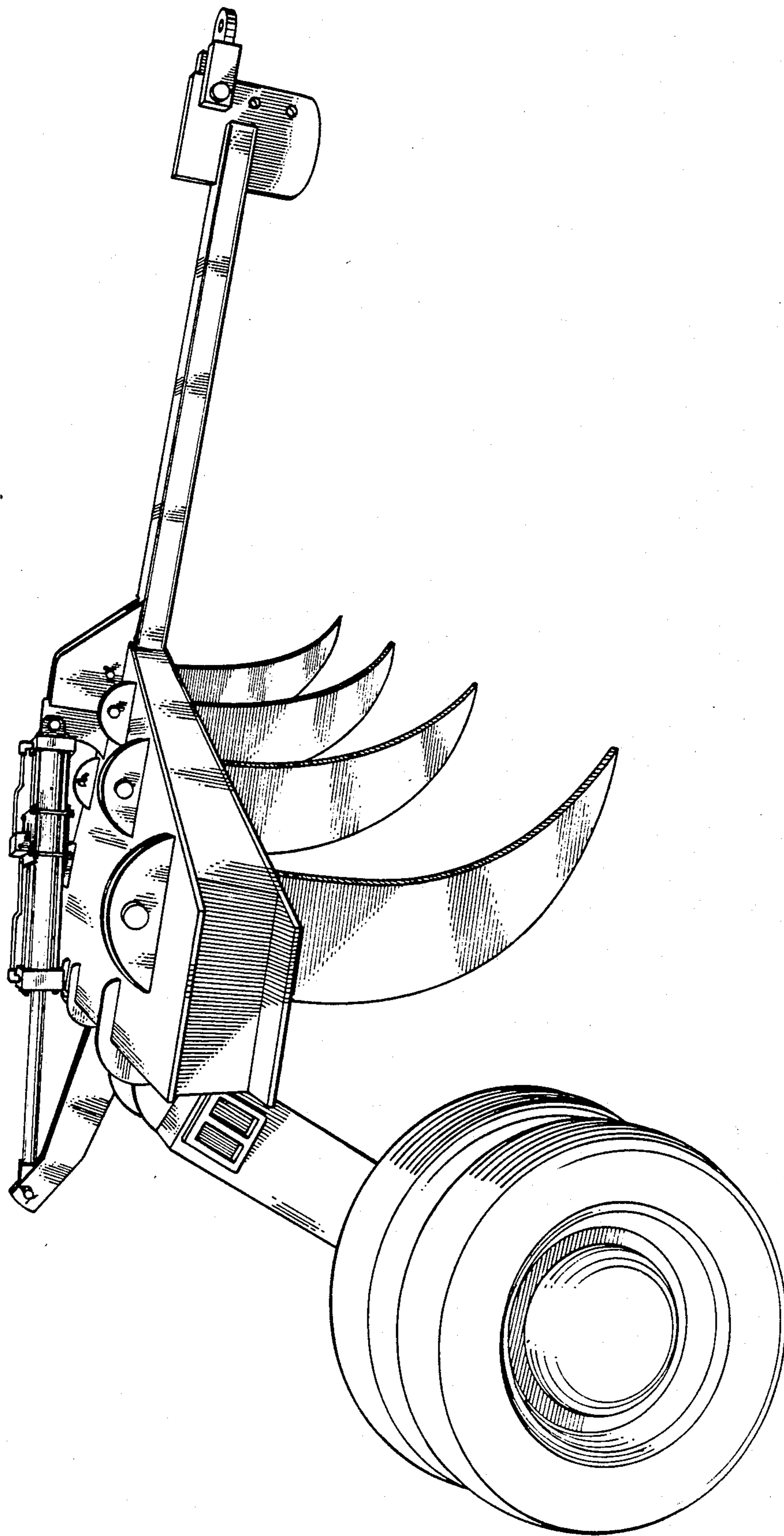


Fig. 7.