

# United States Patent [19]

Brunner

[11] Patent Number: Des. 295,978

[45] Date of Patent: \*\* May 31, 1988

[54] COMPUTER DISPLAY

[75] Inventor: Robert Brunner, Palo Alto, Calif.

[73] Assignee: TeleVideo Systems, Inc., Sunnyvale, Calif.

[\*\*] Term: 14 Years

[21] Appl. No.: 771,331

[22] Filed: Aug. 30, 1985

[52] U.S. CL ..... D14/113

[58] Field of Search ..... D14/100, 105, 106, 107,  
D14/113, 77, 80-84; 340/700, 711, 720;  
358/248, 249, 254; 312/7.2

[56] References Cited

U.S. PATENT DOCUMENTS

D. 280,199 8/1985 Ryan ..... D14/113  
D. 280,820 10/1985 Winters et al. .... D14/113

D. 282,845 3/1986 Lewis ..... D14/113  
D. 289,651 5/1987 Nuttall et al. .... D14/113

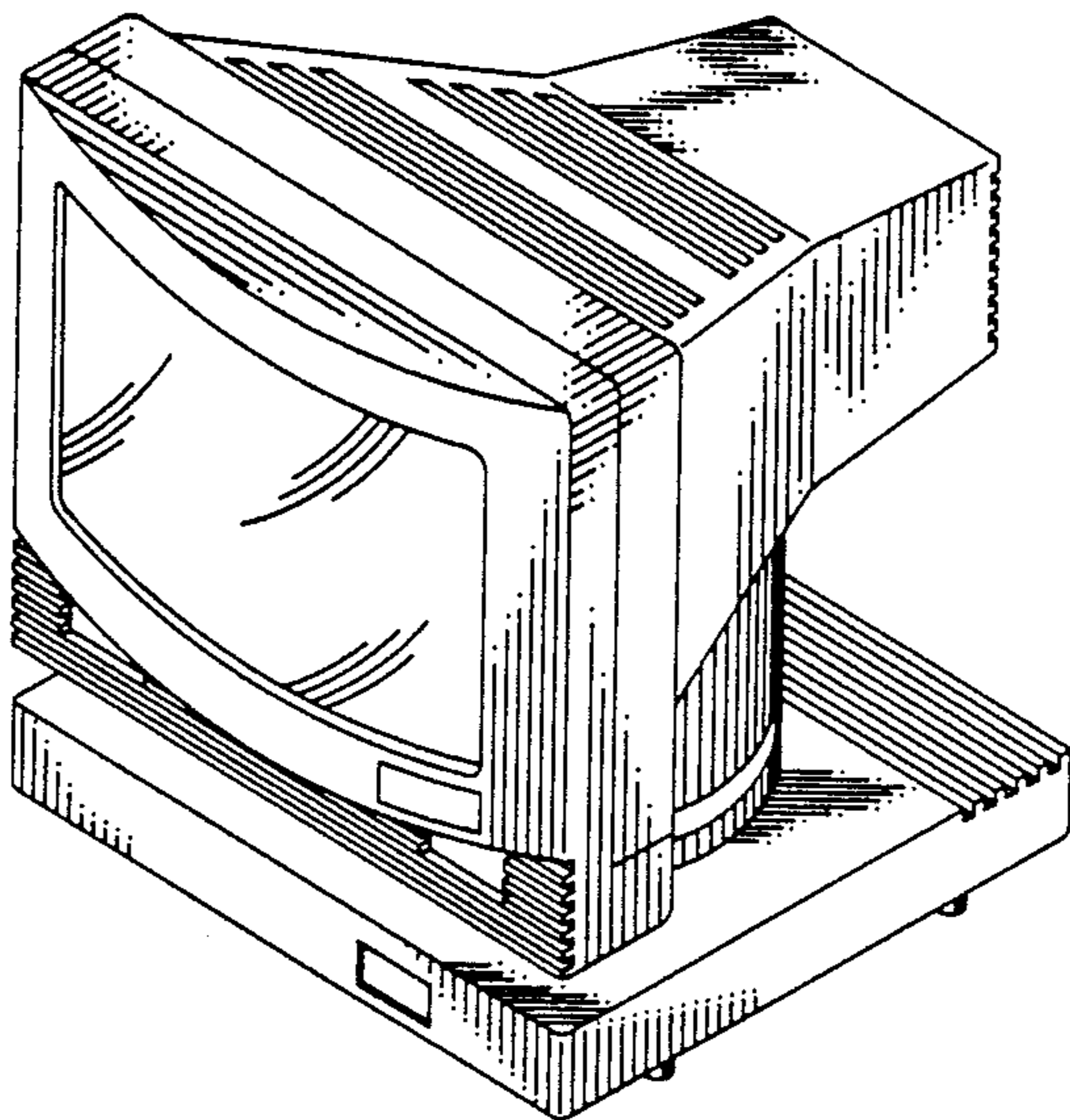
Primary Examiner—Susan J. Lucas  
Attorney, Agent, or Firm—Walter J. Madden, Jr.;  
Thomas S. MacDonald; Alan H. MacPherson

[57] CLAIM

The ornamental design for a computer display, substantially as shown and described.

DESCRIPTION

FIG. 1 is top front isometric view of a computer display showing my new design;  
FIG. 2 is a top view thereof;  
FIG. 3 is a front view thereof;  
FIG. 4 is a right side view thereof the left side being a mirror image;  
FIG. 5 is a rear view thereof; and  
FIG. 6 is a bottom view thereof.



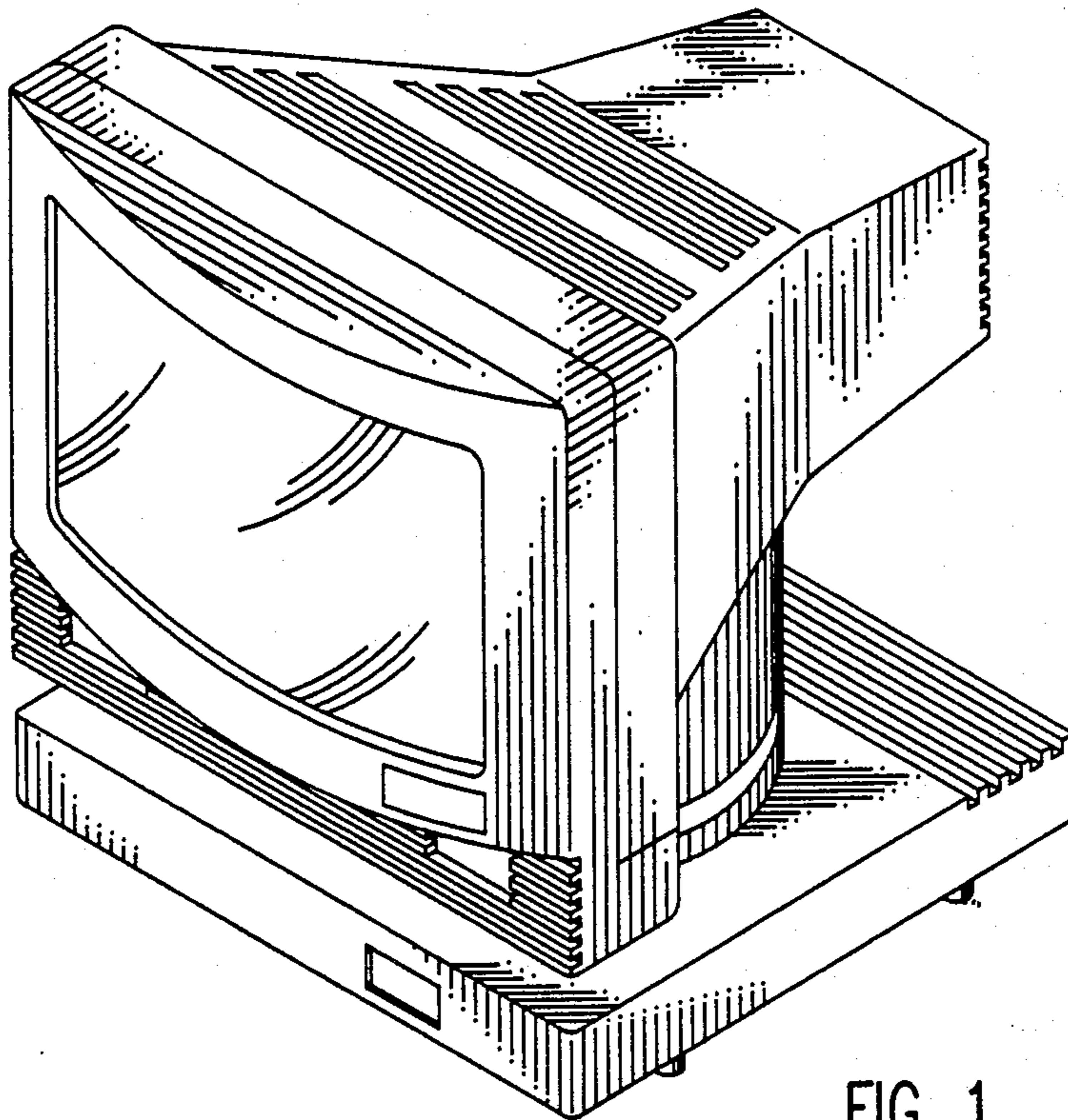


FIG. 1

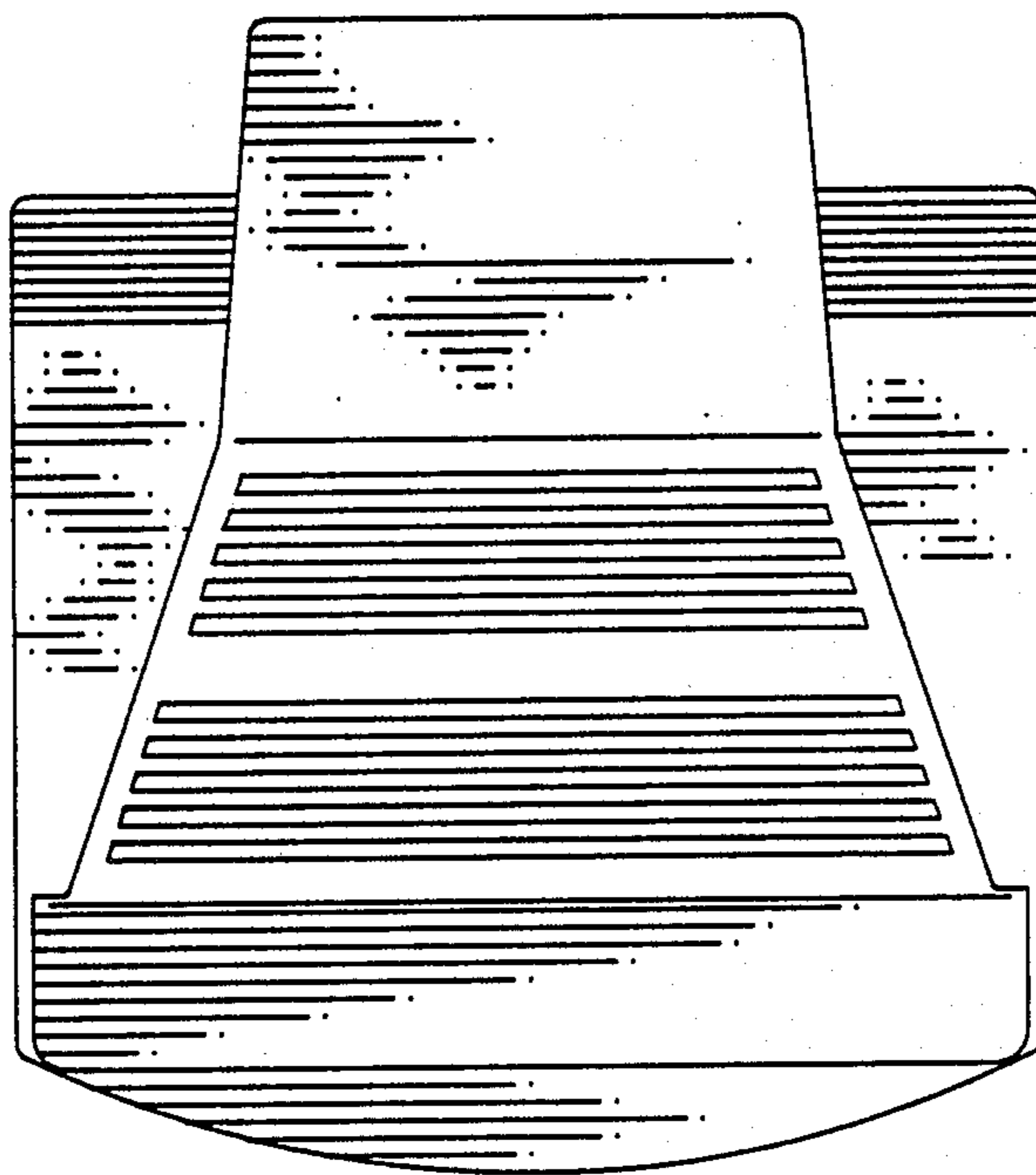


FIG. 2

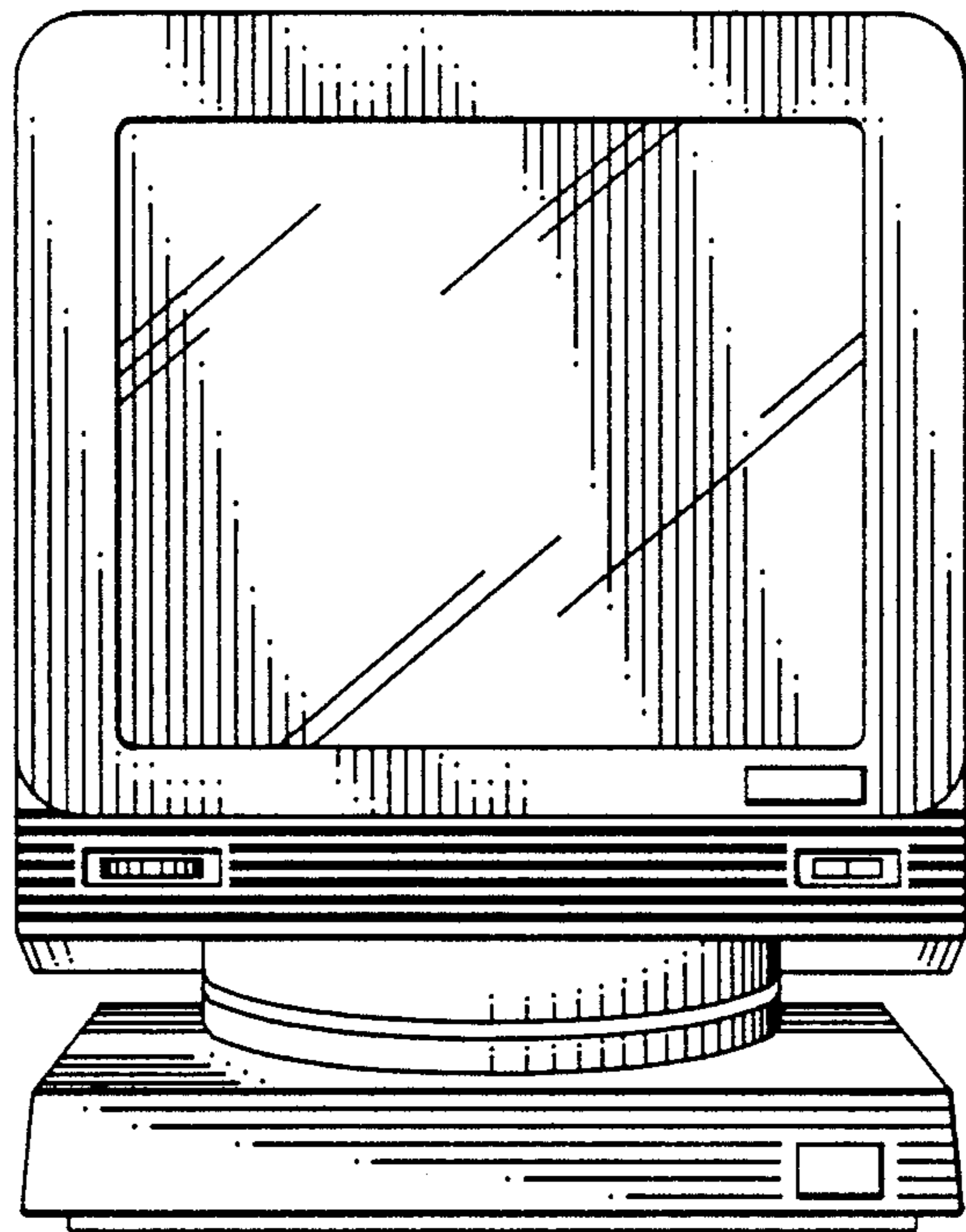


FIG. 3

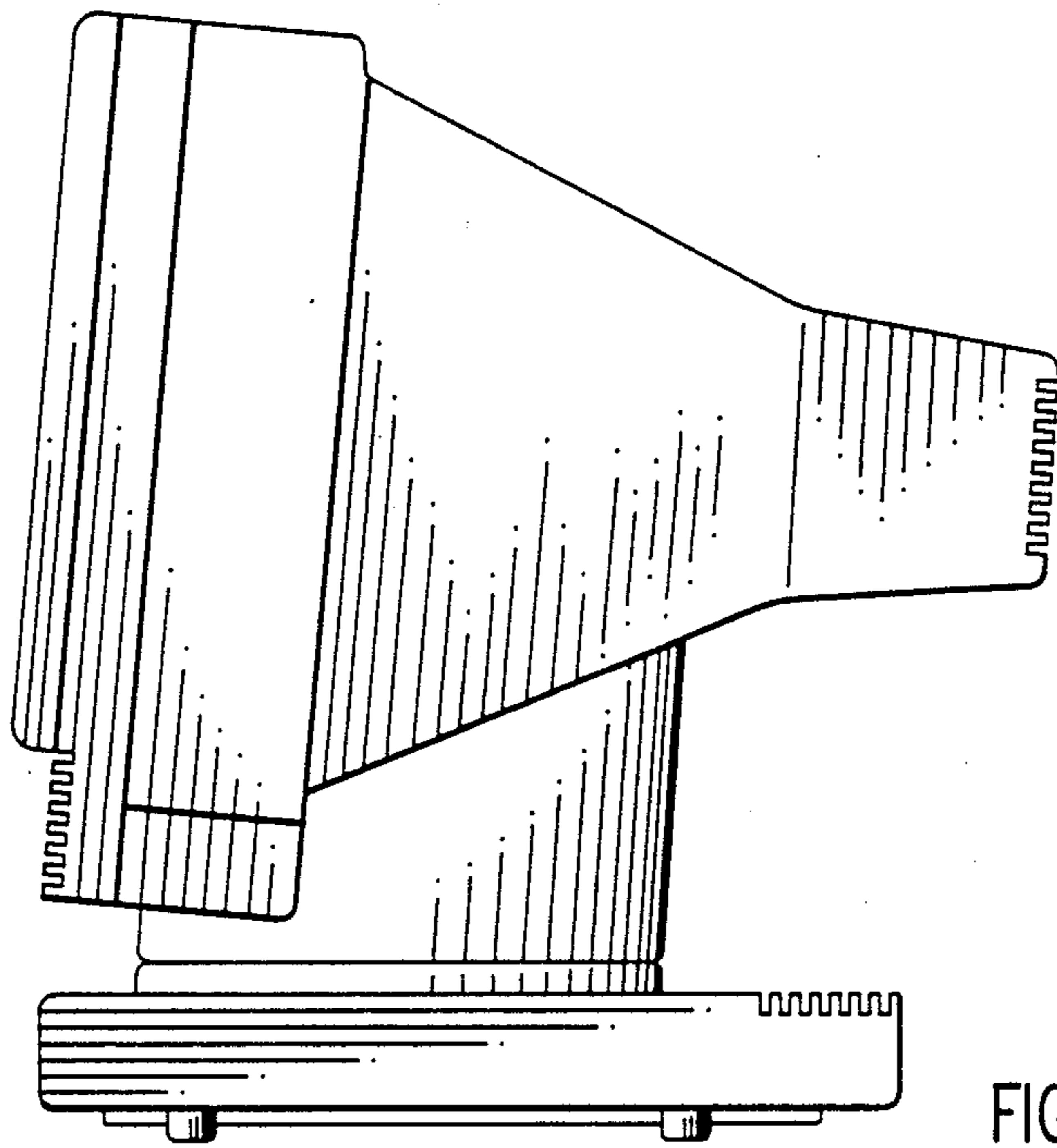


FIG. 4

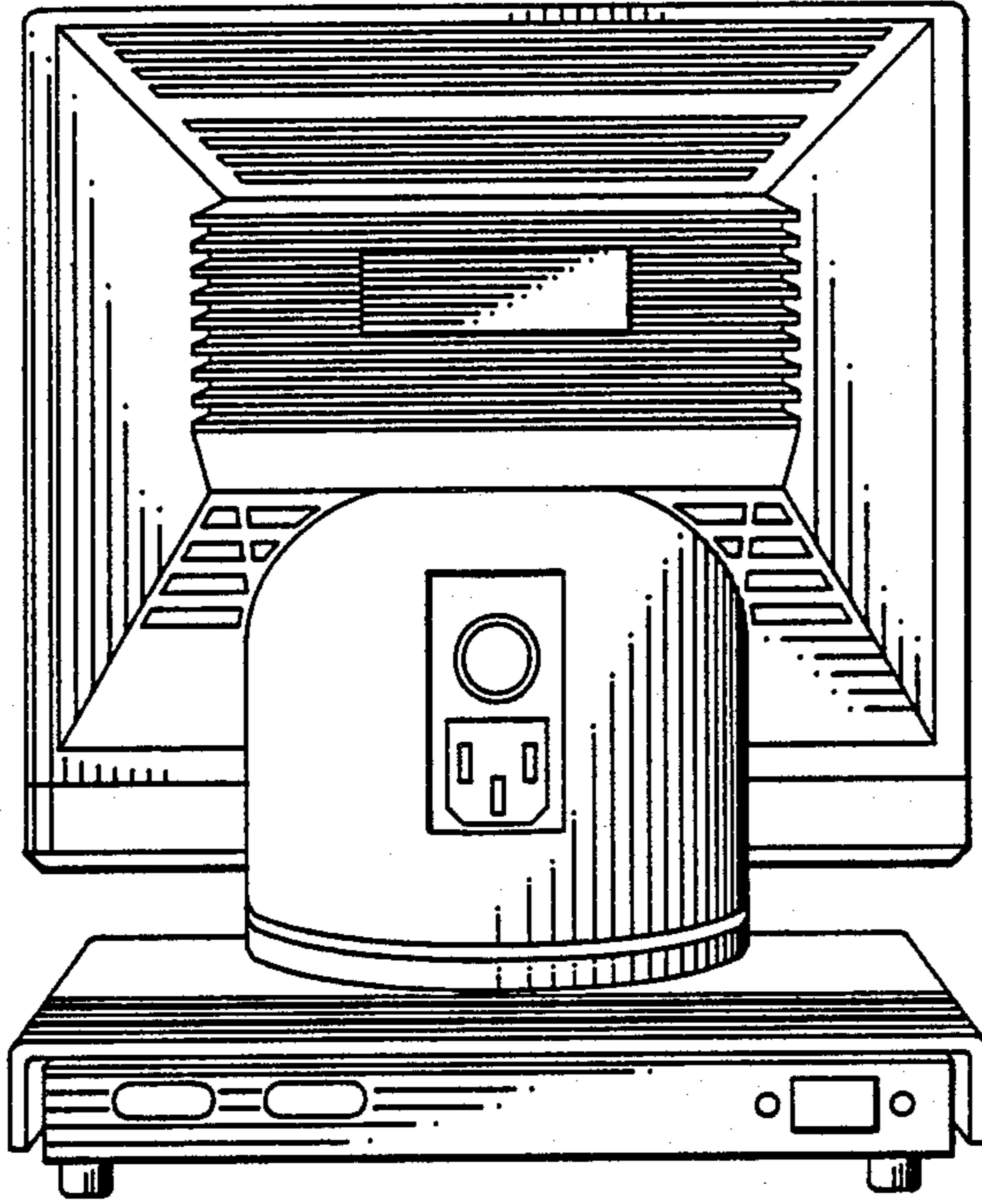


FIG. 5

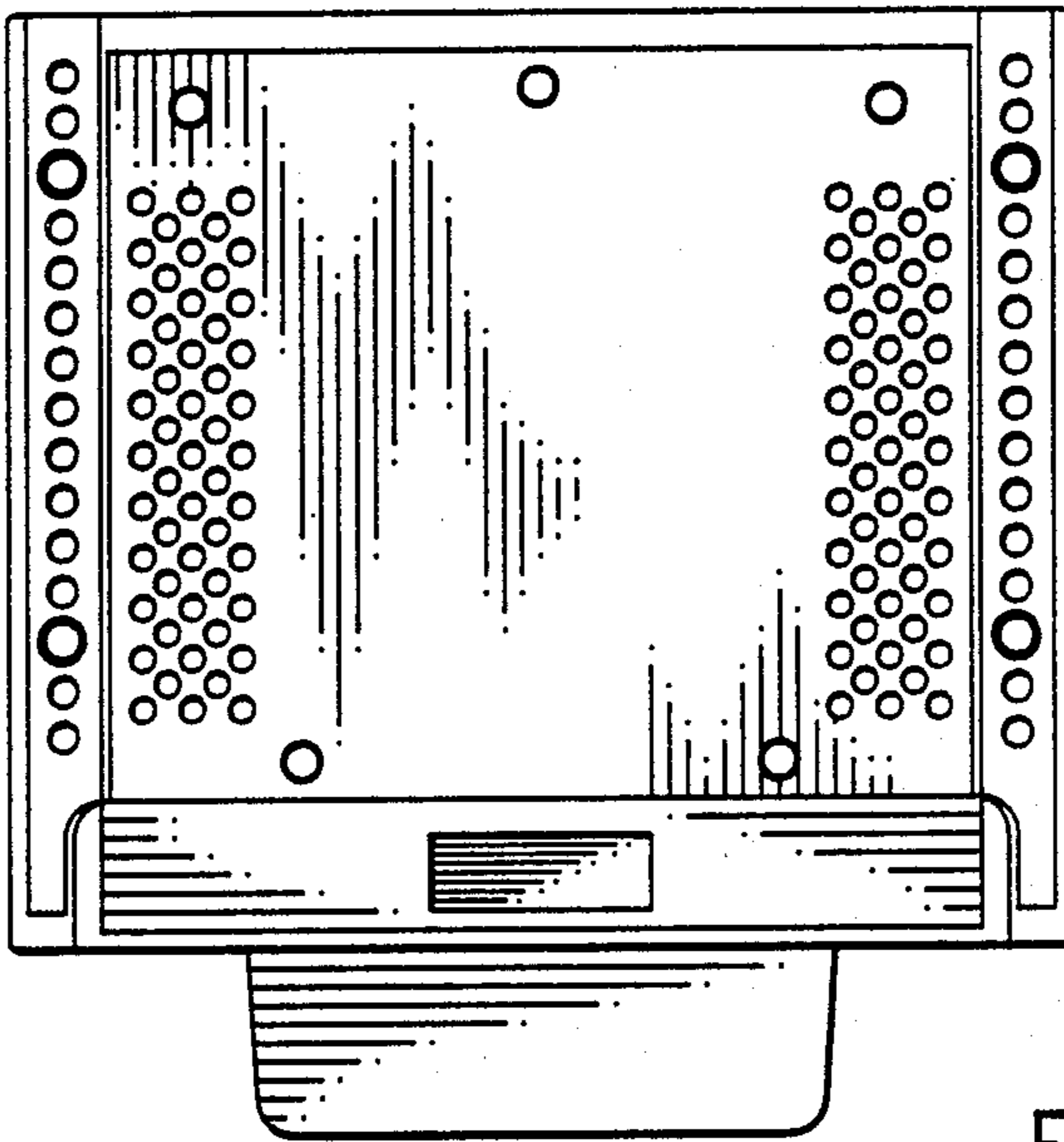


FIG. 6