

[54] **HANDSET TELEPHONE OR SIMILAR ARTICLE**

[76] **Inventors: Terrance N. Taylor, Cary; Robert Stinauer, Glendale Heights, both of Ill.**

[**] **Term: 14 Years**

[21] **Appl. No.: 781,390**

[22] **Filed: Sep. 27, 1985**

[52] **U.S. Cl. D14/64; D14/53**

[58] **Field of Search D14/53, 63, 64, 65, D14/76; 179/179, 29 A, 100 R, 100 D, 100 C, 102, 103, 146 R; 455/89, 90**

[56] **References Cited**

U.S. PATENT DOCUMENTS

- D. 246,043 10/1977 Taylor D14/53
- D. 246,103 10/1977 Taylor D14/53
- D. 247,491 3/1978 Fukushima et al. D14/64 X
- D. 248,758 8/1978 Krolopp et al. D14/53
- D. 252,752 8/1979 Hisao et al. D14/53
- D. 260,518 9/1981 Larson D14/53
- D. 264,077 4/1982 Fukushima et al. D14/53
- D. 265,733 8/1982 Fukushima et al. D14/53
- D. 266,506 10/1982 Fukushima et al. D14/53
- D. 267,316 12/1982 Fukushima et al. D14/53
- D. 267,317 12/1982 Fukushima et al. D14/53
- D. 267,872 2/1983 Fukushima et al. D14/53
- D. 270,248 8/1983 Fukushima et al. D14/53
- D. 270,835 10/1983 Taylor D14/64
- D. 271,393 11/1983 Carr D14/63
- D. 271,489 11/1983 Fukushima et al. D14/53
- D. 271,491 11/1983 Taylor D14/76
- D. 272,442 1/1984 Trussler D14/64 X
- D. 277,164 1/1985 Bevilacqua D14/64 X
- D. 277,377 1/1985 Tarao et al. D14/53
- D. 279,004 5/1985 Ryan D14/63
- D. 283,707 5/1986 Goodin et al. D14/53
- D. 285,555 9/1986 Fukutani D14/64 X

- D. 285,789 9/1986 Karlin D14/65 X
- D. 286,778 11/1986 Beaumont D14/64
- 4,122,304 10/1978 Mallien 455/90 X
- 4,153,822 5/1979 Ueda et al. 179/146 R

FOREIGN PATENT DOCUMENTS

- 603232 6/1983 Japan D14/62

OTHER PUBLICATIONS

Washington Post; 8/28/84: Motorola 6000x Cellular Phone.
 Motorola Color Sheet, showing of DYNA T-A-C 6000x, Cellular Transportable Accessory.
 New York Times; 10/30/84, p. D-15: disclosure pictures of 6000x, 4000 and 2000x carphones.
 Motorola brochure, "Privacy-Plus" 1000 Radio Phone ©1984; provided PTC by Motorola.

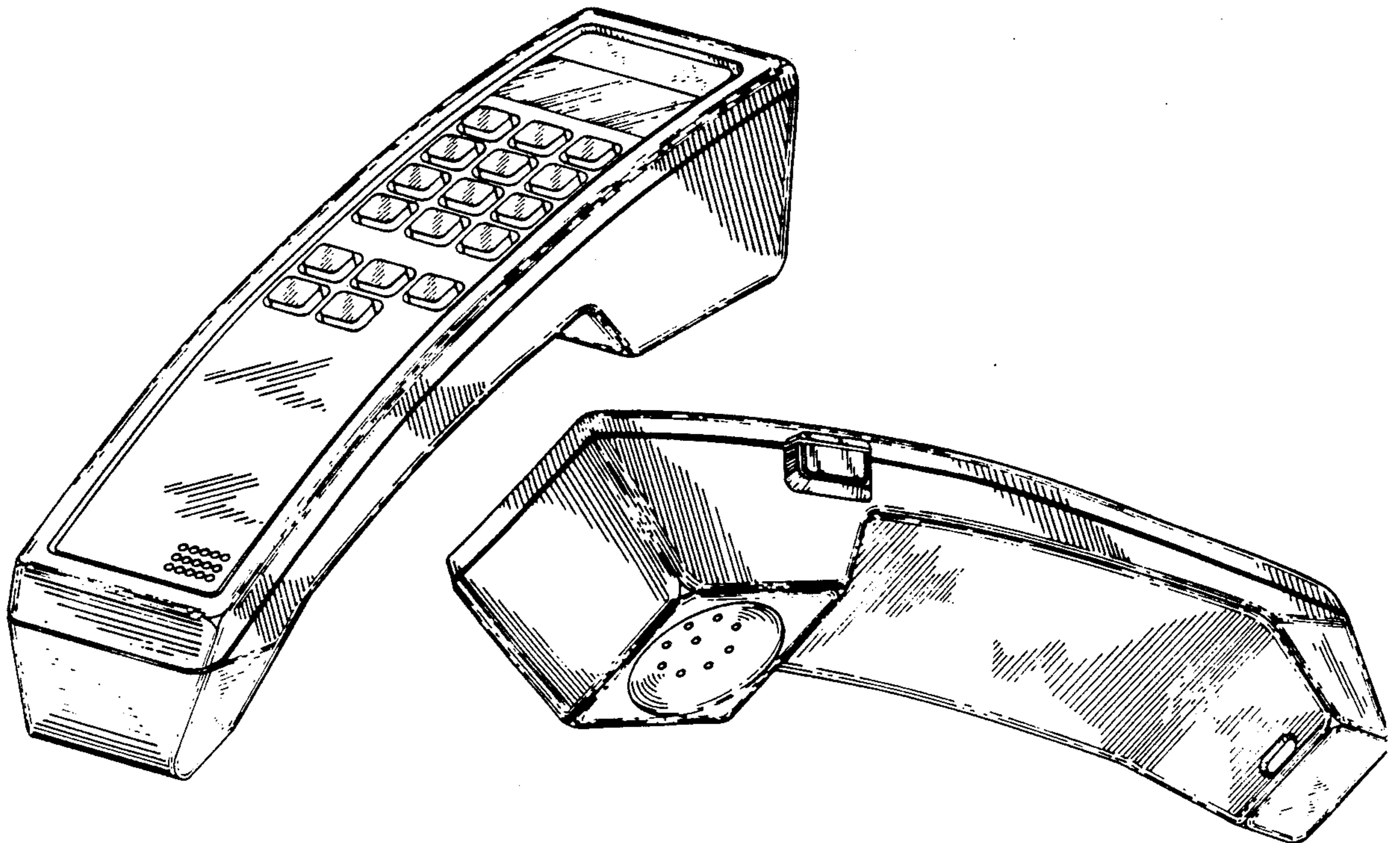
Primary Examiner—Horace B. Fay
Attorney, Agent, or Firm—Raymond A. Janski; Rolland R. Hackbart

[57] **CLAIM**

The ornamental design for a handset telephone or similar article, substantially as shown and described.

DESCRIPTION

FIG. 1 is a front, top and right side perspective view of a handset telephone or similar article showing our new design;
 FIG. 2 is a left side elevational view thereof;
 FIG. 3 is a bottom plan view thereof;
 FIG. 4 is a rear elevational view thereof;
 FIG. 5 is a front, top and right side prespective view of second embodiment thereof, the sole difference being that the small circular apertures at the lower portion of the top surface have been centered between the left and right sides; and
 FIG. 6 is a rear, bottom and left side view thereof taken 180° from the view in FIGS. 1 and 5.



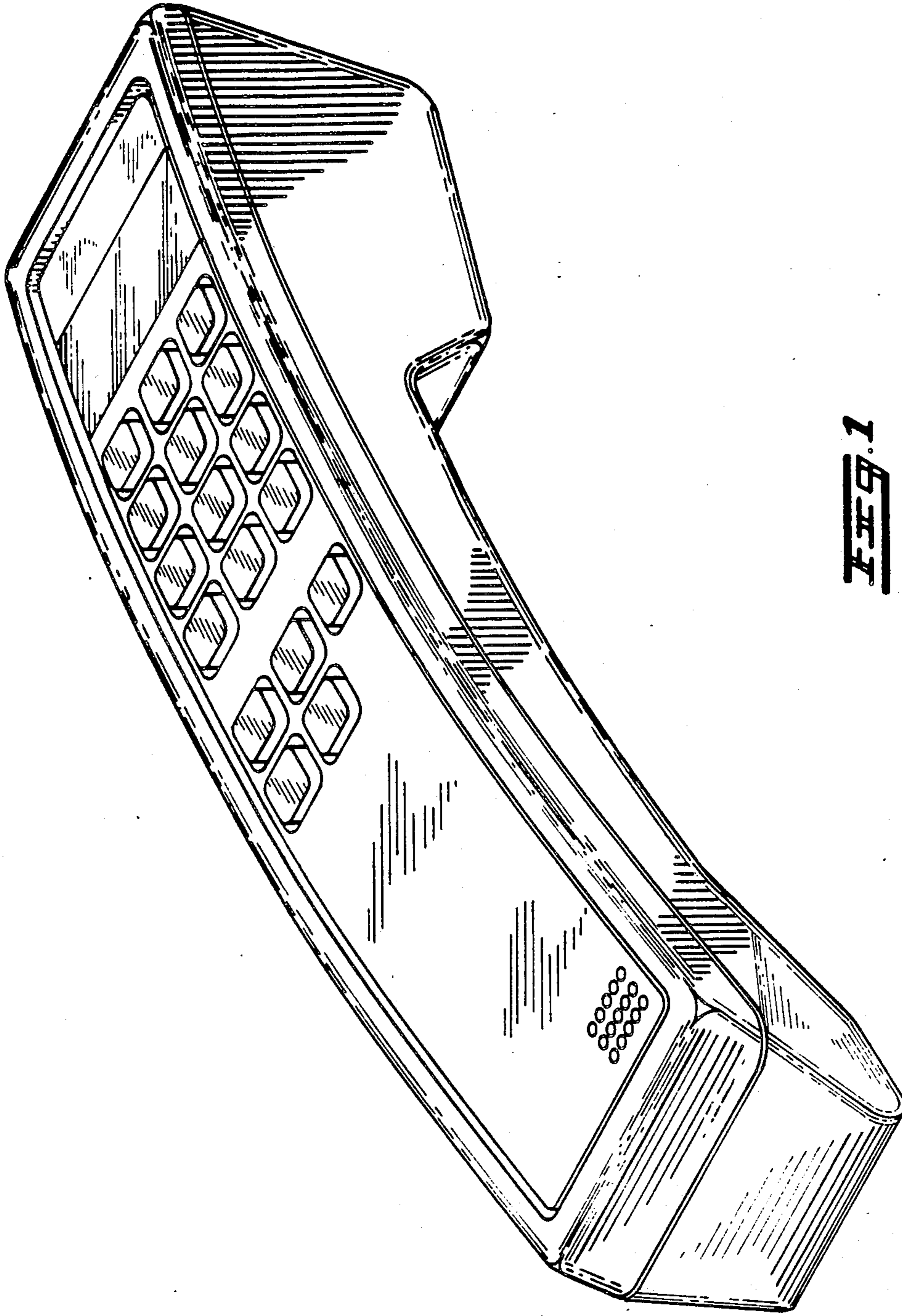


FIG. 1

FIG. 2

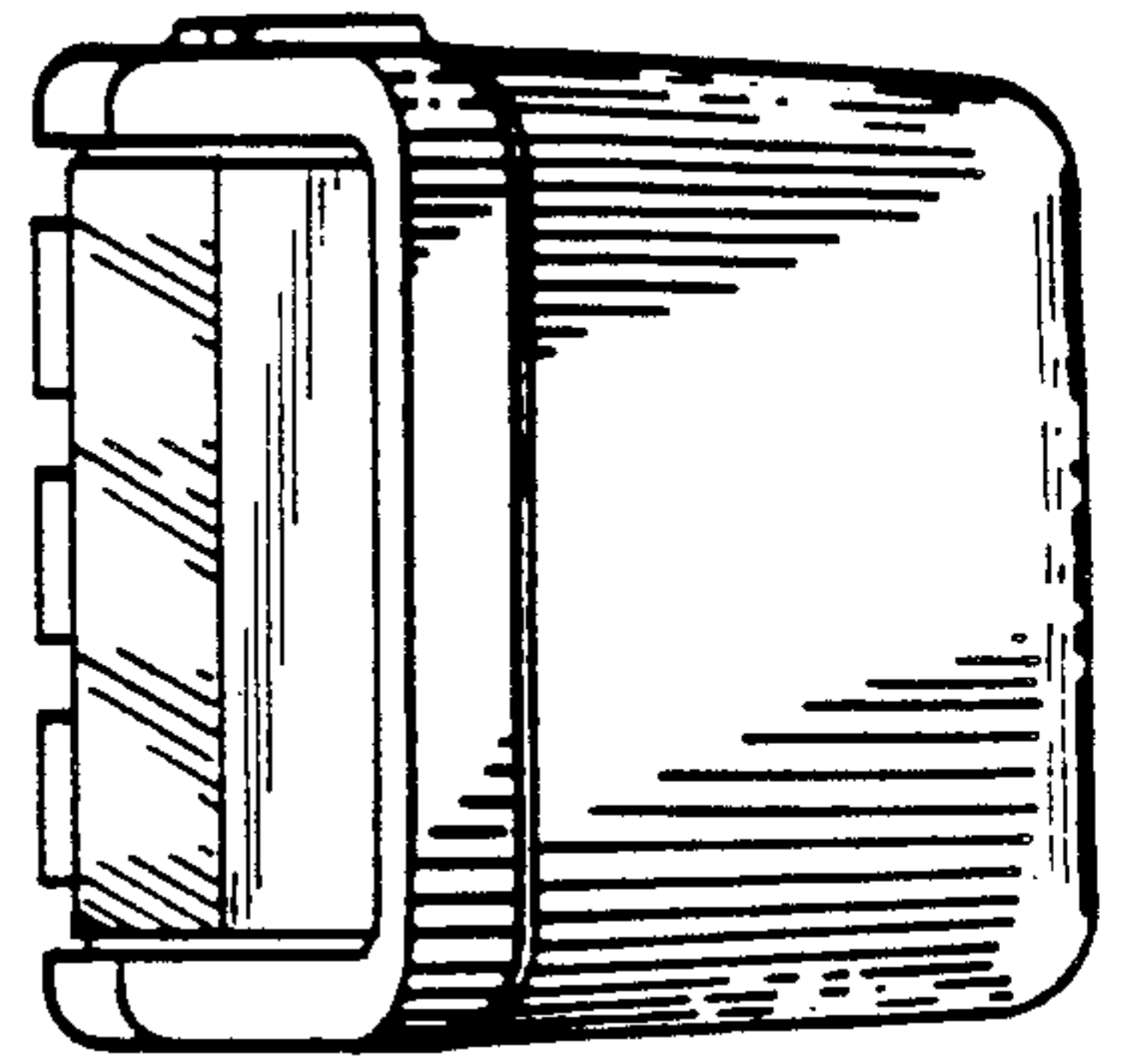
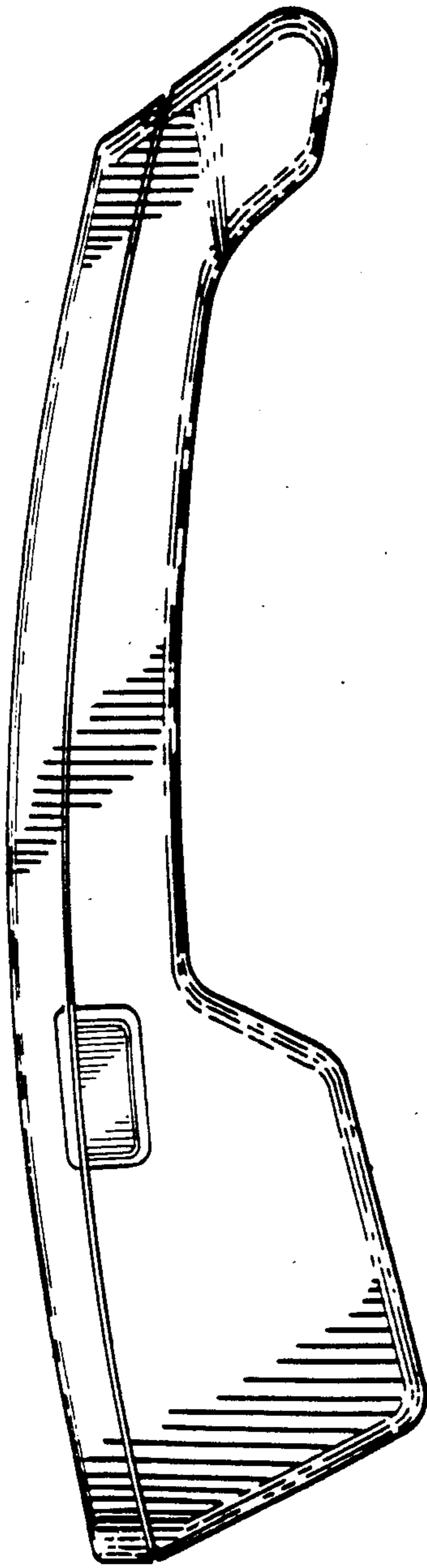


FIG. 4

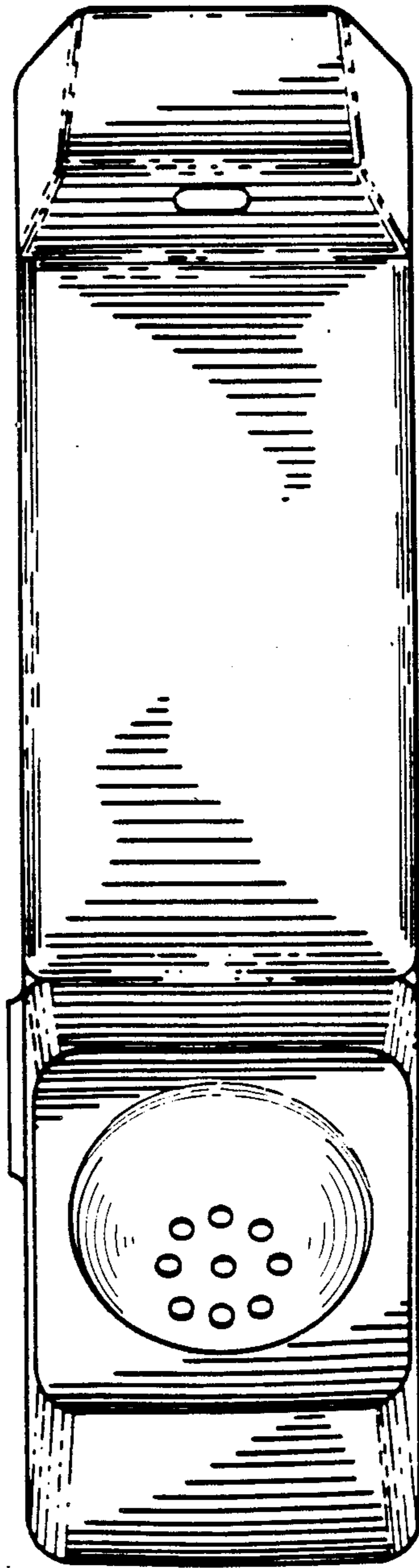
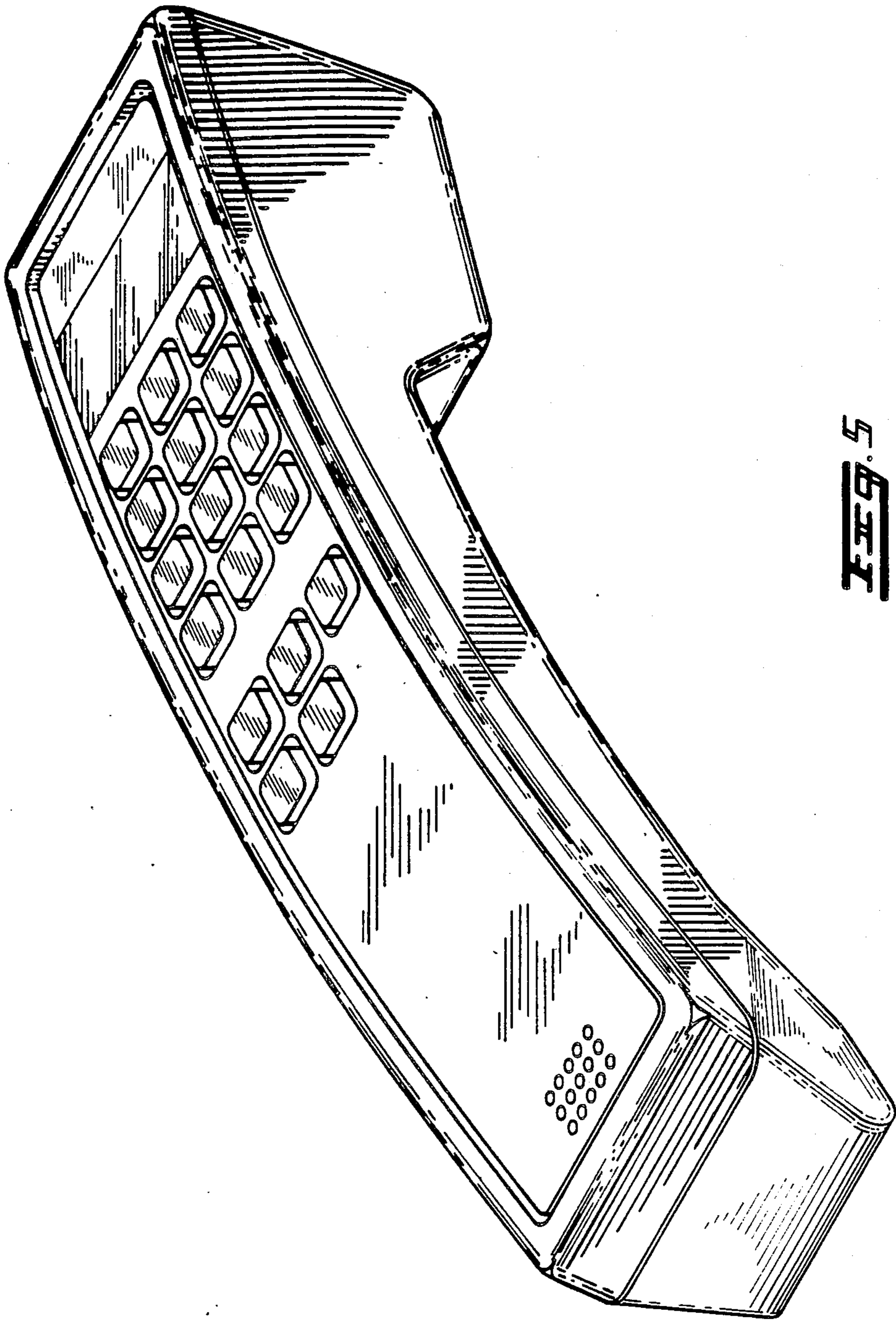


FIG. 3



5
5
5

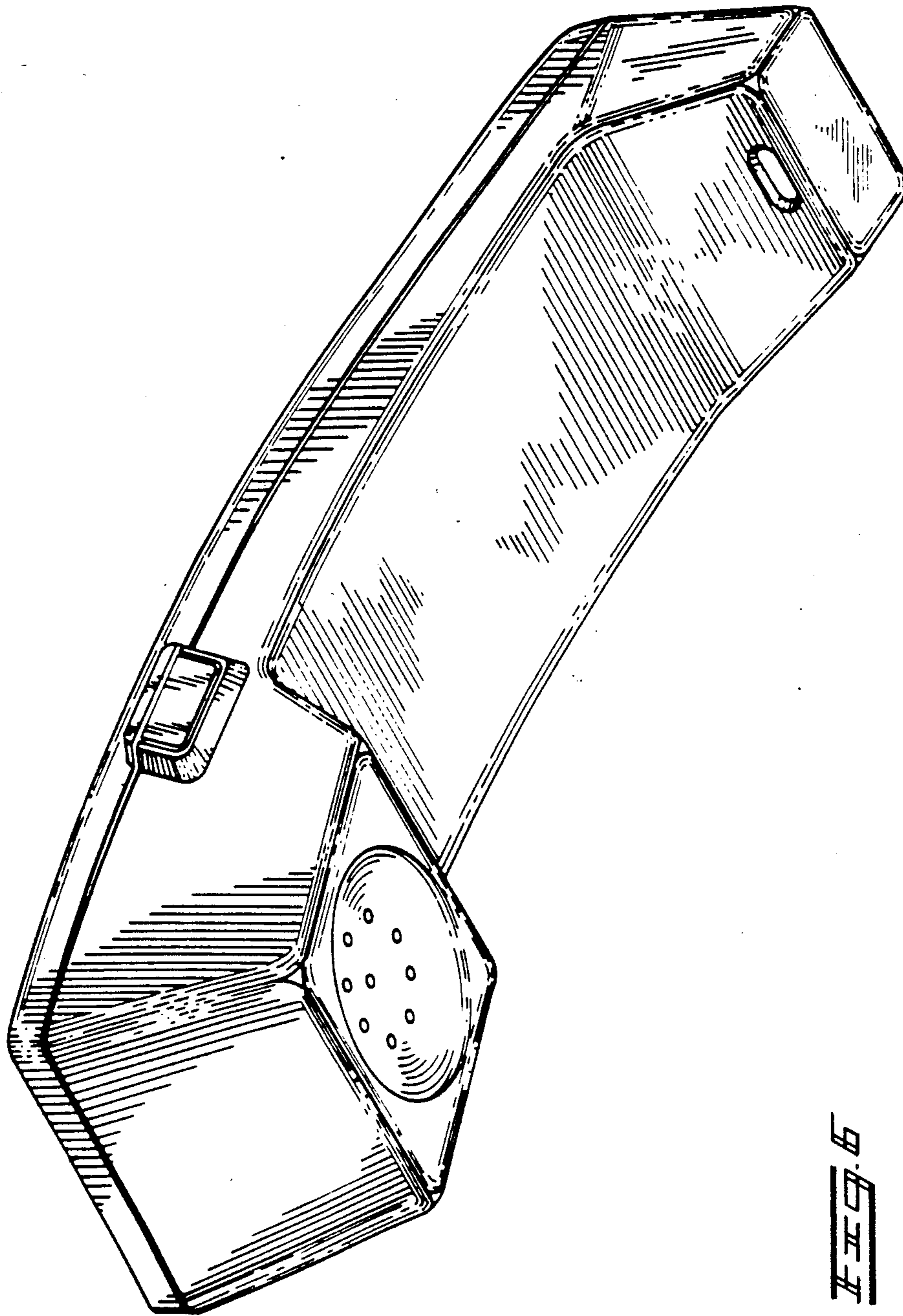


FIG. 6