

[54] ADJUSTABLE FLOW SWITCH

[76] Inventor: Richard Hughes, c/o Autoflow Products Co., 18442 S. Broadway, Gardena, Calif. 90248

[\*\*] Term: 14 Years

[21] Appl. No.: 791,136

[22] Filed: Oct. 24, 1985

[52] U.S. Cl. .... D13/32

[58] Field of Search ..... D13/32, 40-41, D13/99; 200/81 R, 8.9 R, 81.9 M, 293, 294; D23/233, 245

[56] References Cited

U.S. PATENT DOCUMENTS

- D. 254,146 2/1980 Koenig ..... D23/245
- 2,953,658 9/1960 Davis ..... 200/81 R
- 3,308,254 3/1967 McMahon, Jr. et al. .... 200/81.9 R

- 3,345,478 10/1967 Hutchinson et al. .... 200/81.9 R
- 4,500,759 2/1985 de Fasselle et al. .... 200/81.9 R

Primary Examiner—Wallace R. Burke  
Assistant Examiner—Ruth Takemoto  
Attorney, Agent, or Firm—Cislo & Thomas

[57] CLAIM

The ornamental design for an adjustable flow switch, as shown and described.

DESCRIPTION

FIG. 1 is a top, front and side perspective view of an adjustable flow switch showing my new design; FIG. 2 is a left side elevational view thereof; FIG. 3 is a right side elevational view thereof; FIG. 4 is a front elevational view thereof; FIG. 5 is a rear elevational view thereof; FIG. 6 is a top plan view thereof; and FIG. 7 is a bottom plan view thereof.

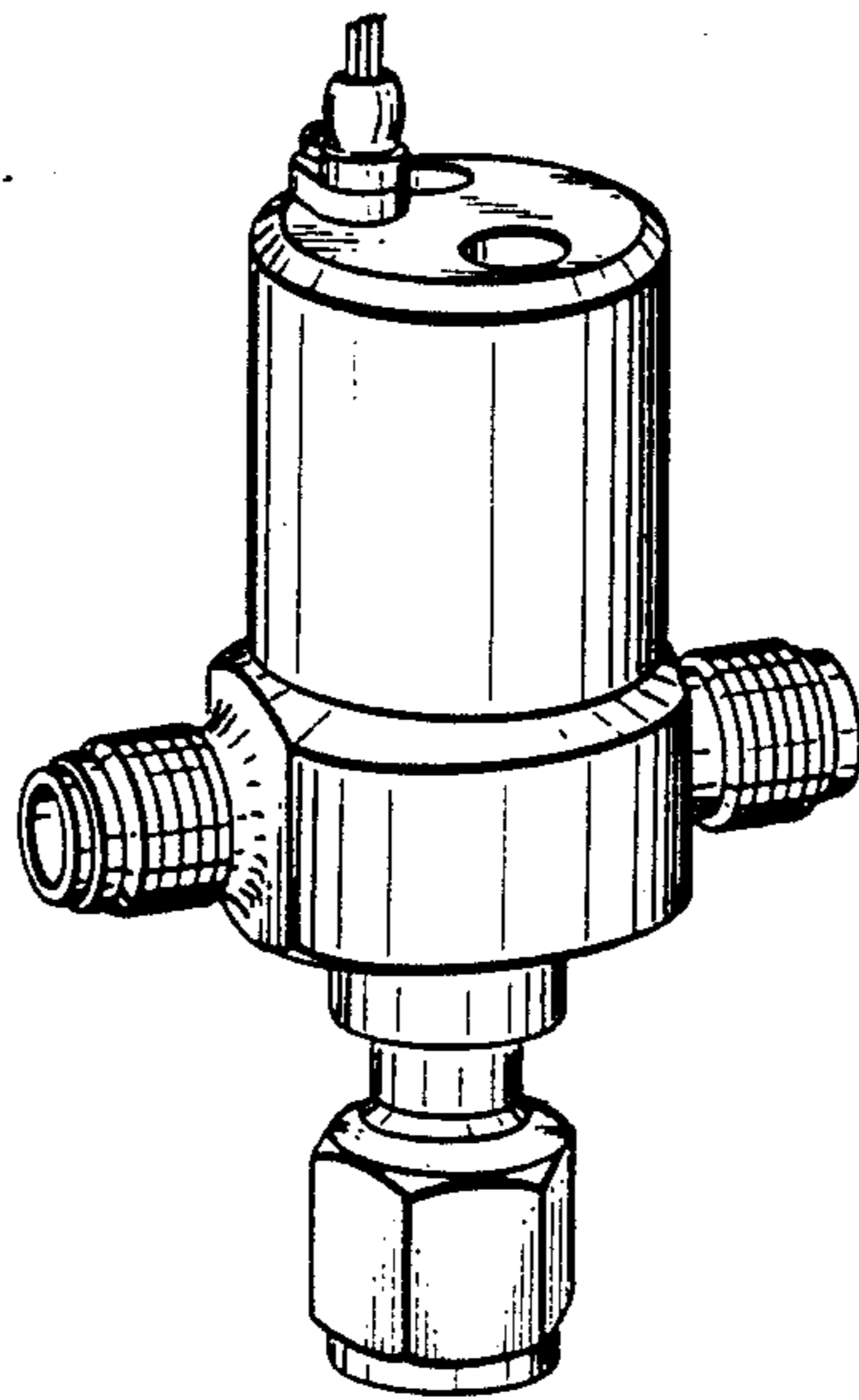


Fig. 1.

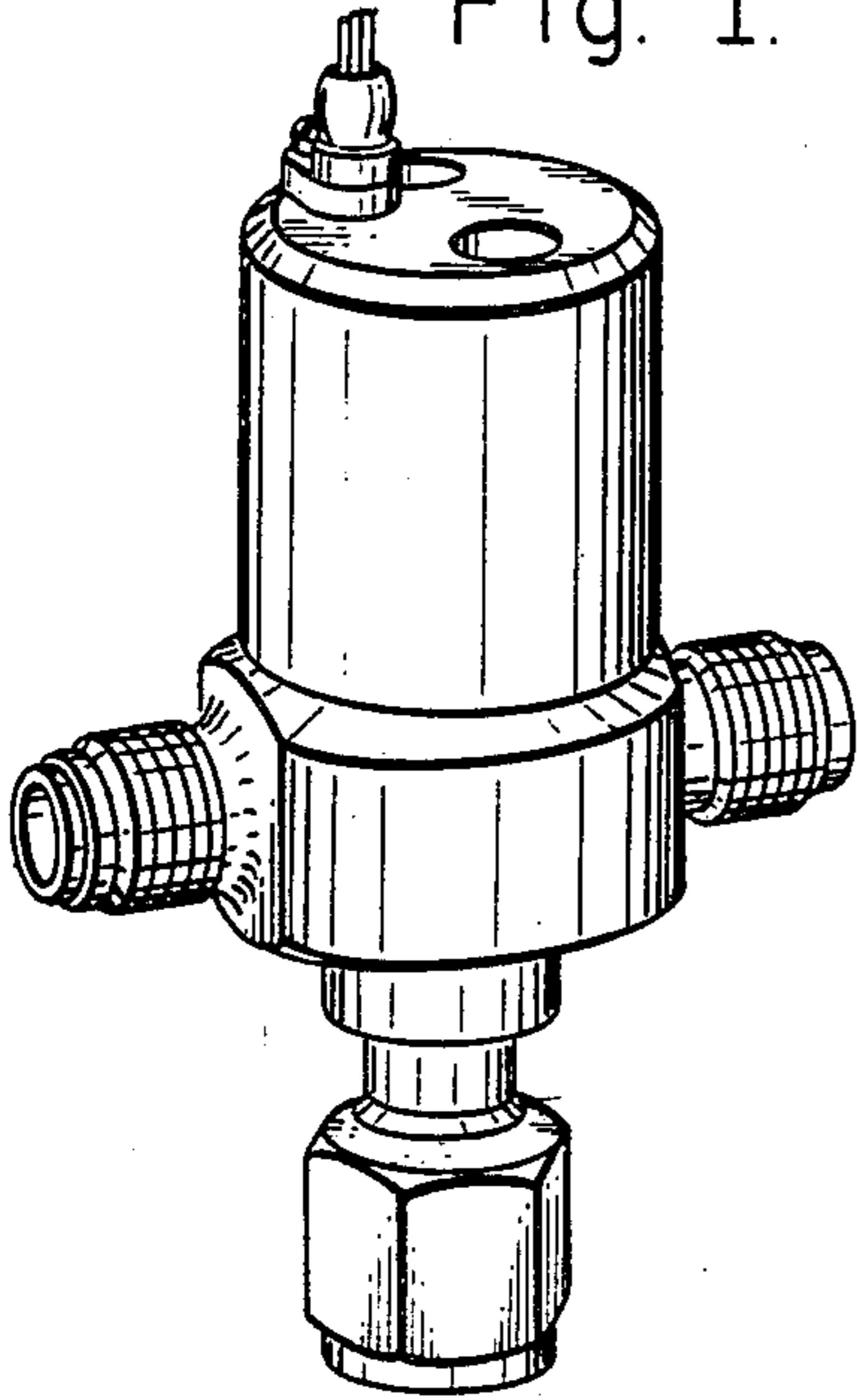


Fig. 2.

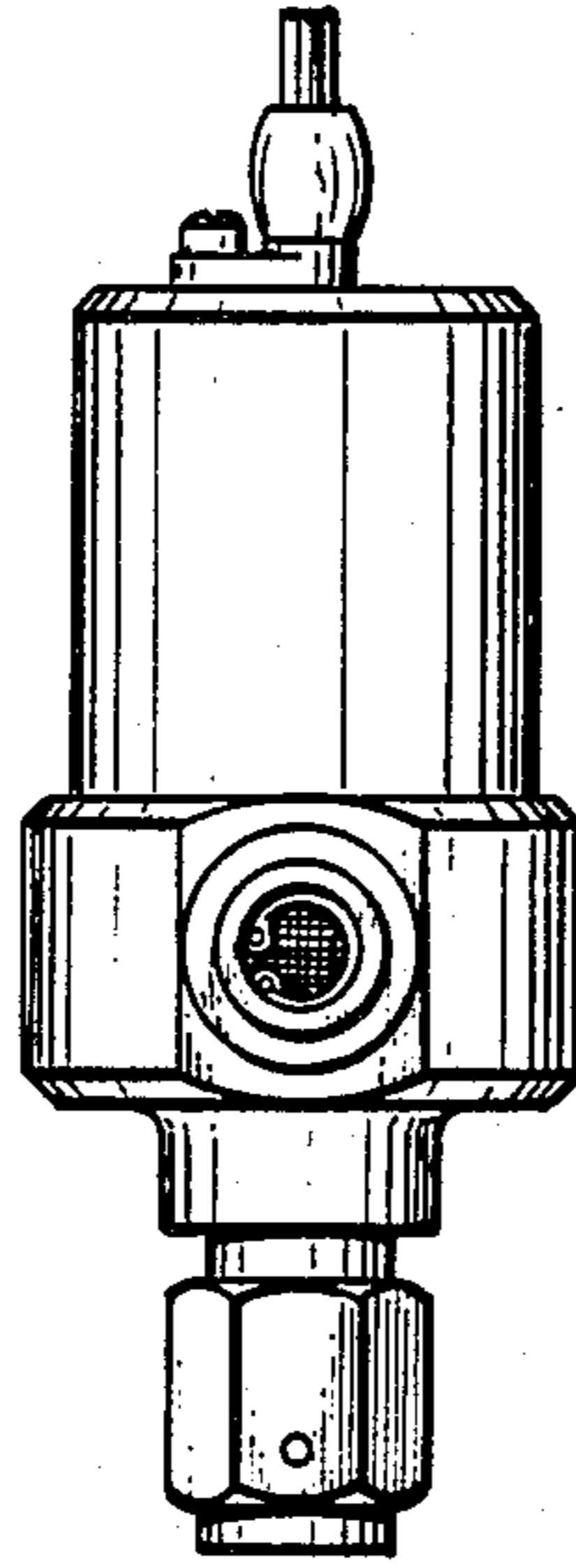


Fig. 3.

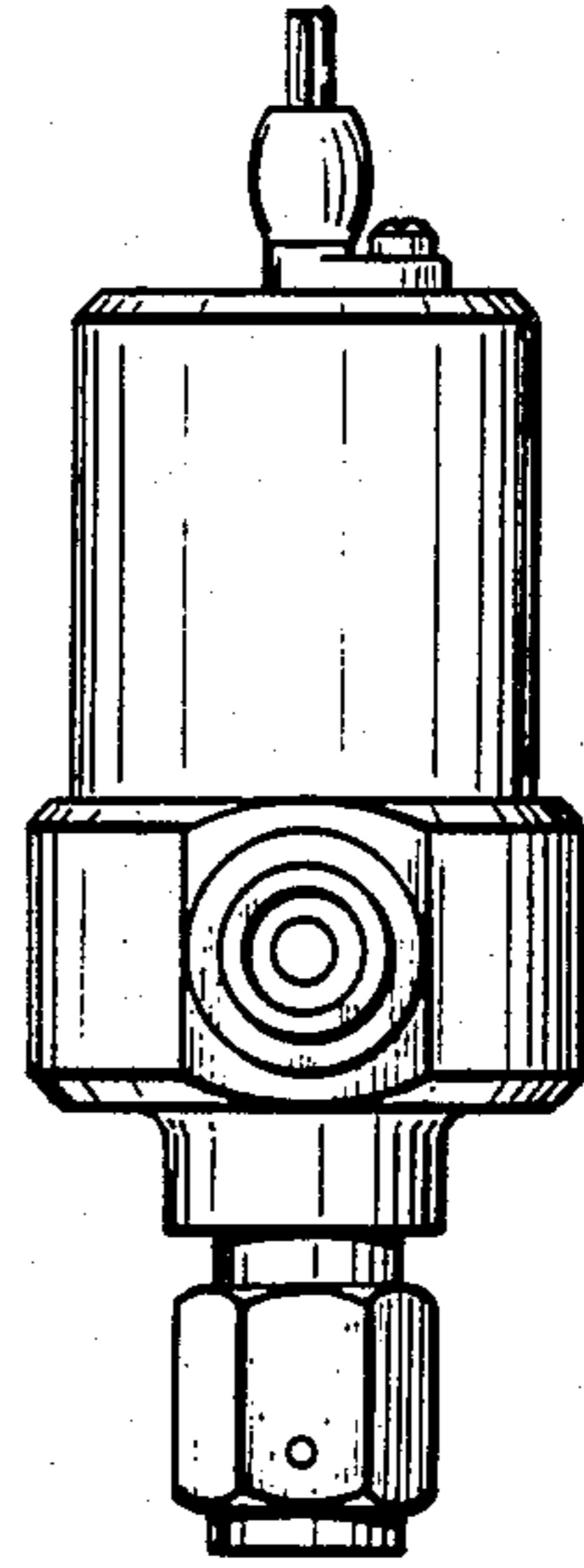


Fig. 4.

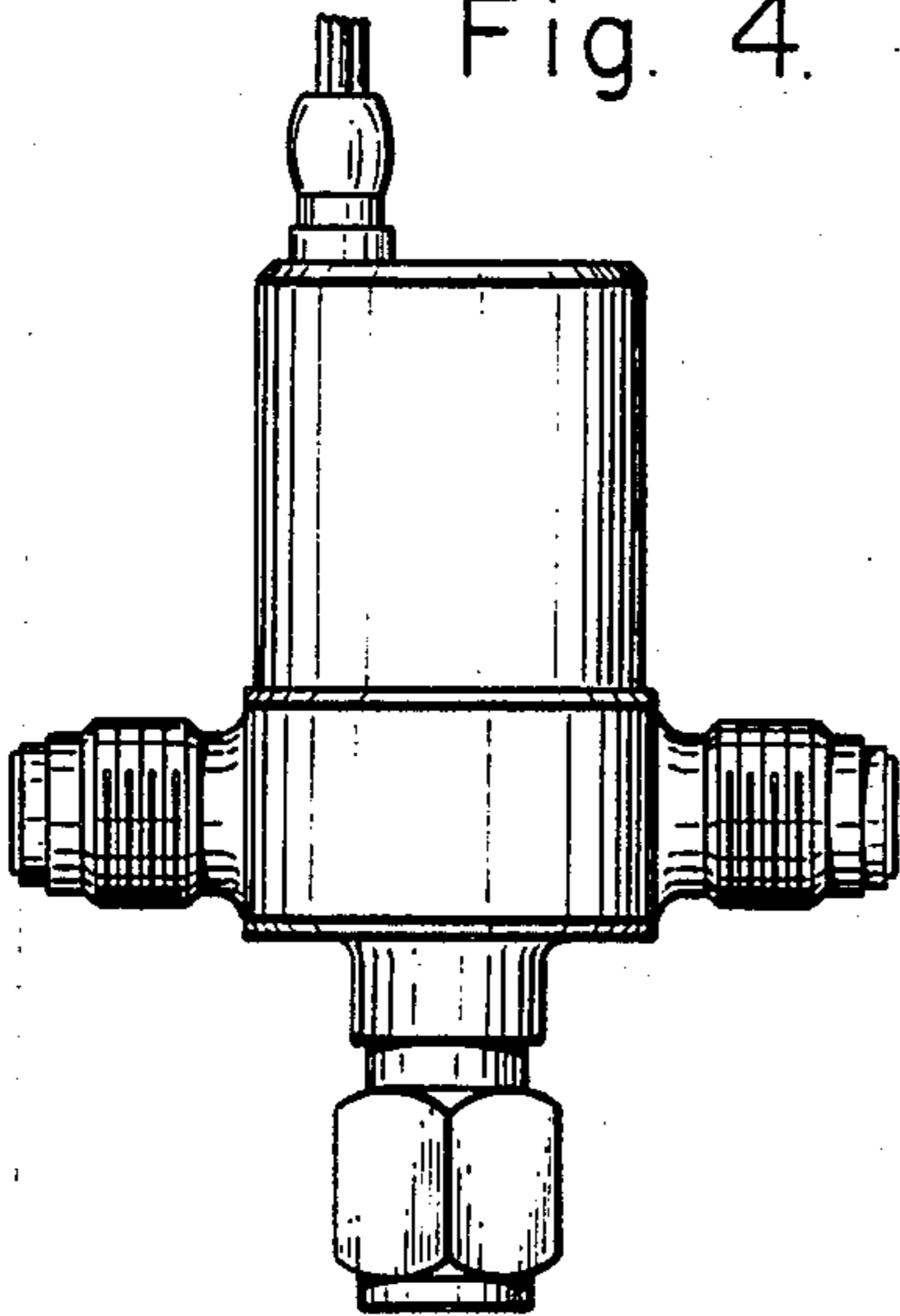


Fig. 5.

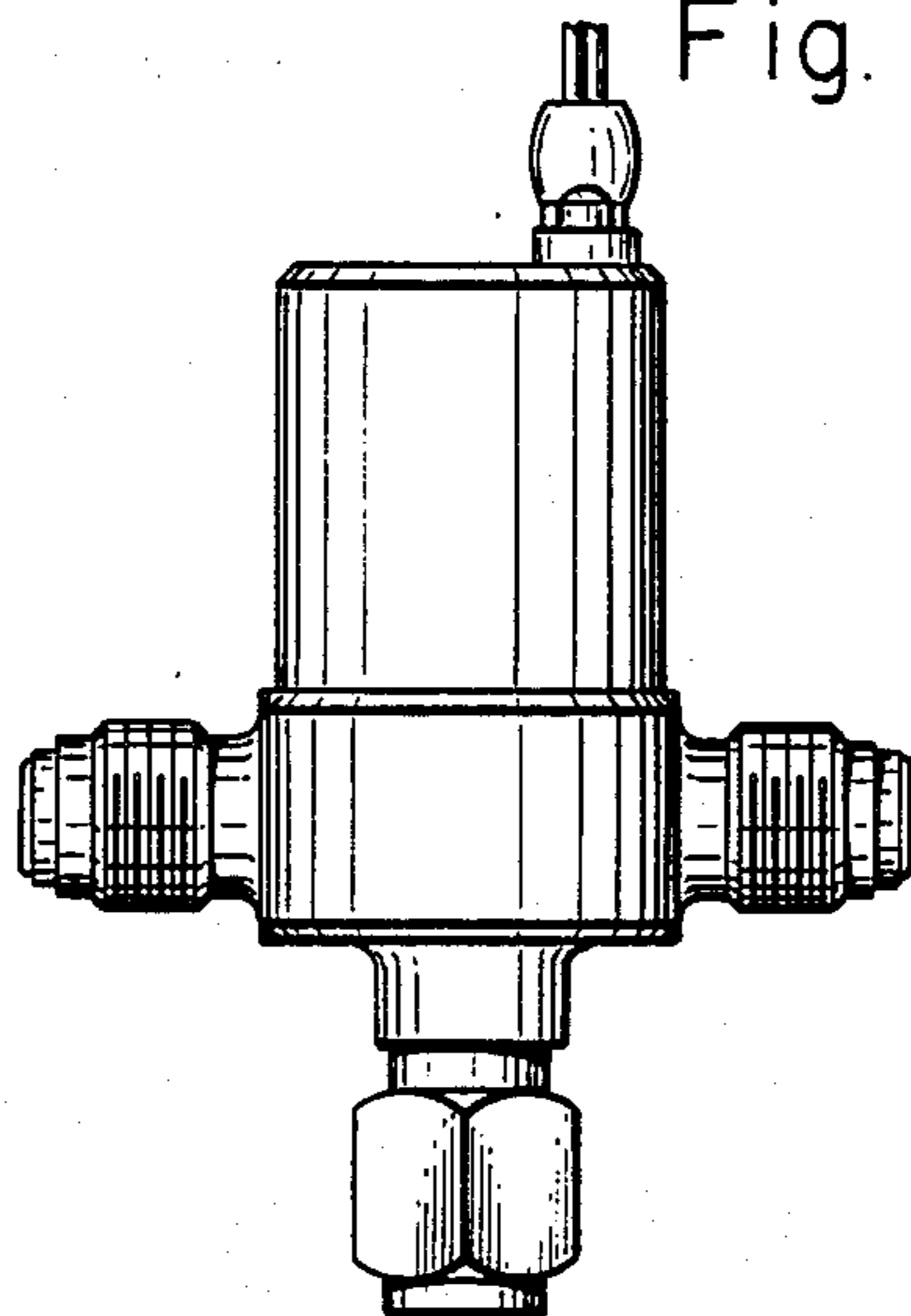


Fig. 6.

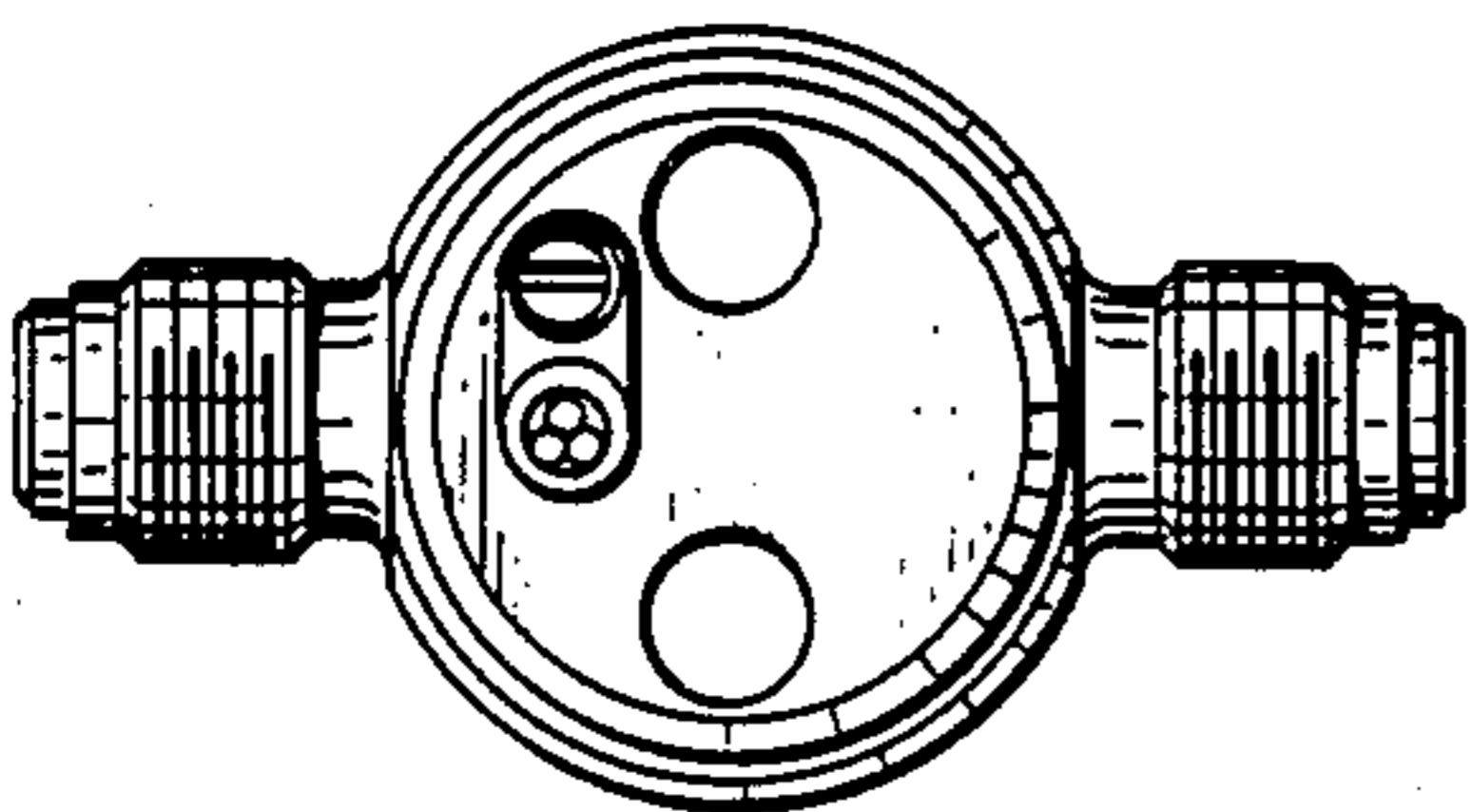


Fig. 7.

