

[54] WIND FAIRING

3,968,946 7/1976 Cole 244/130

[76] Inventors: Robert B. McNab, P.O. Box 3689, Bristol, Tenn. 37625; James A. Wolfe, #9 Foxxborough La., Johnson City, Tenn. 37601

Primary Examiner—James M. Gandy
Assistant Examiner—Kay H. Chin
Attorney, Agent, or Firm—Jones, Askew & Lunsford

[**] Term: 14 Years

[57] CLAIM

The ornamental design for a wind fairing, substantially as shown and described.

[21] Appl. No.: 751,426

[22] Filed: Jul. 3, 1985

DESCRIPTION

[52] U.S. CL. D12/345

FIG. 1 is a perspective view of a wind fairing showing our new design;

[58] Field of Search D12/345, 155, 181; 244/130; D26/28; 362/63

FIG. 2 is a top plan view thereof;

FIG. 3 is a side elevational view thereof, the opposite side elevational view being a mirror image of that shown;

[56] References Cited

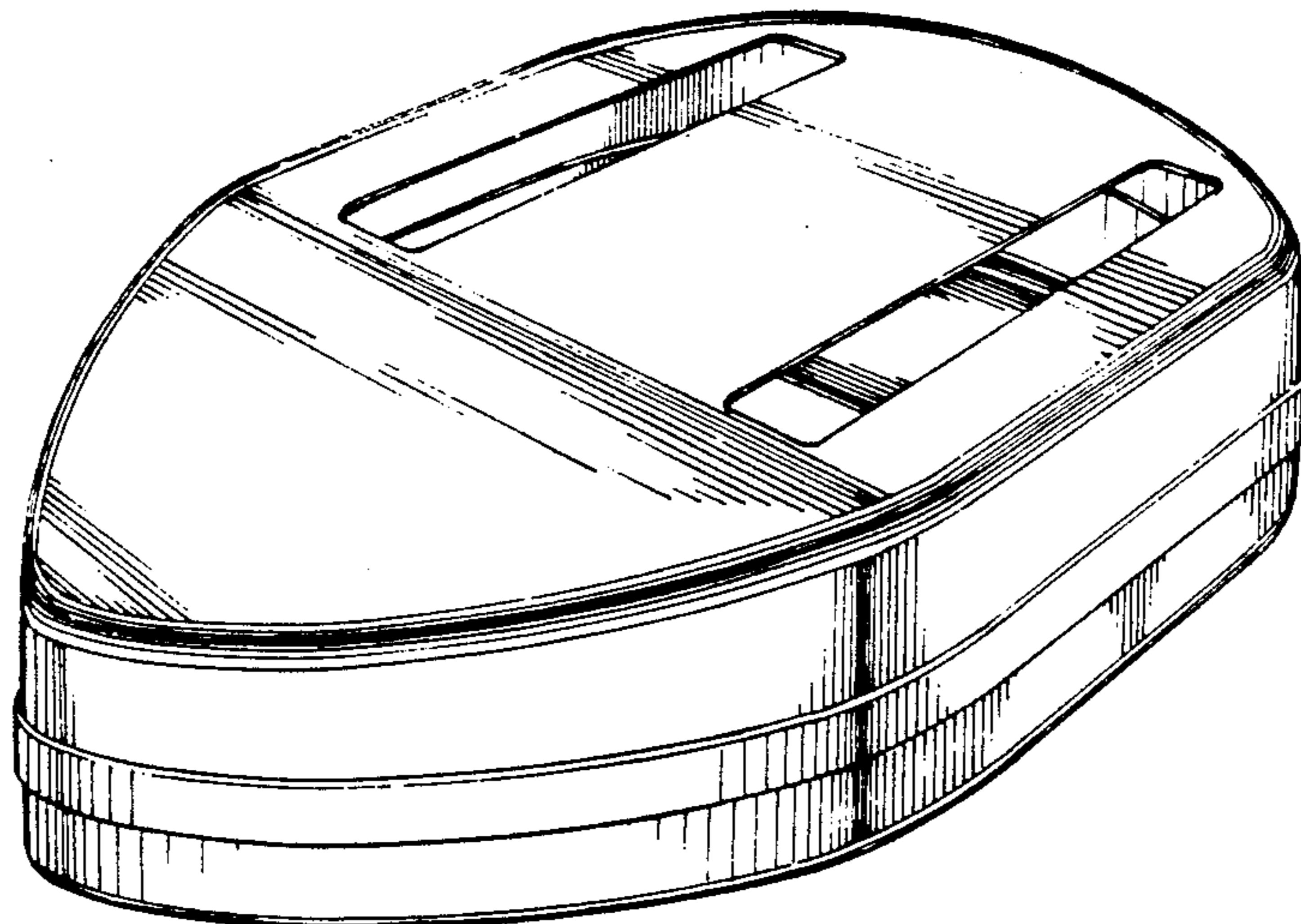
U.S. PATENT DOCUMENTS

- D. 274,142 6/1984 McNab et al. D12/345
- 2,390,127 12/1945 Schneckloth 244/130
- 2,397,957 4/1946 Freeman 244/130

FIG. 4 is a bottom plan view thereof;

FIG. 5 is a front elevational view thereof; and

FIG. 6 is a rear elevational view thereof.



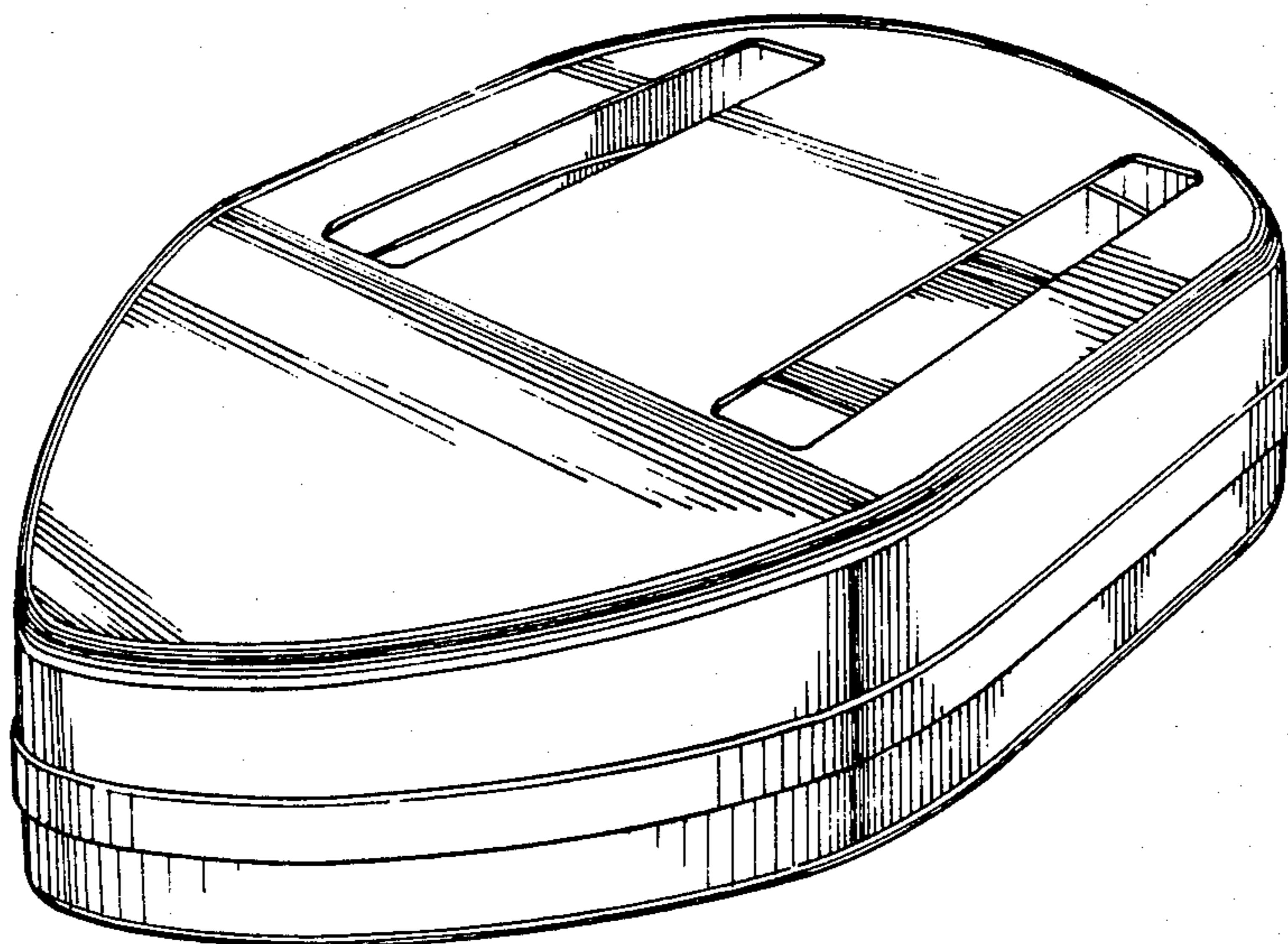


FIG 1

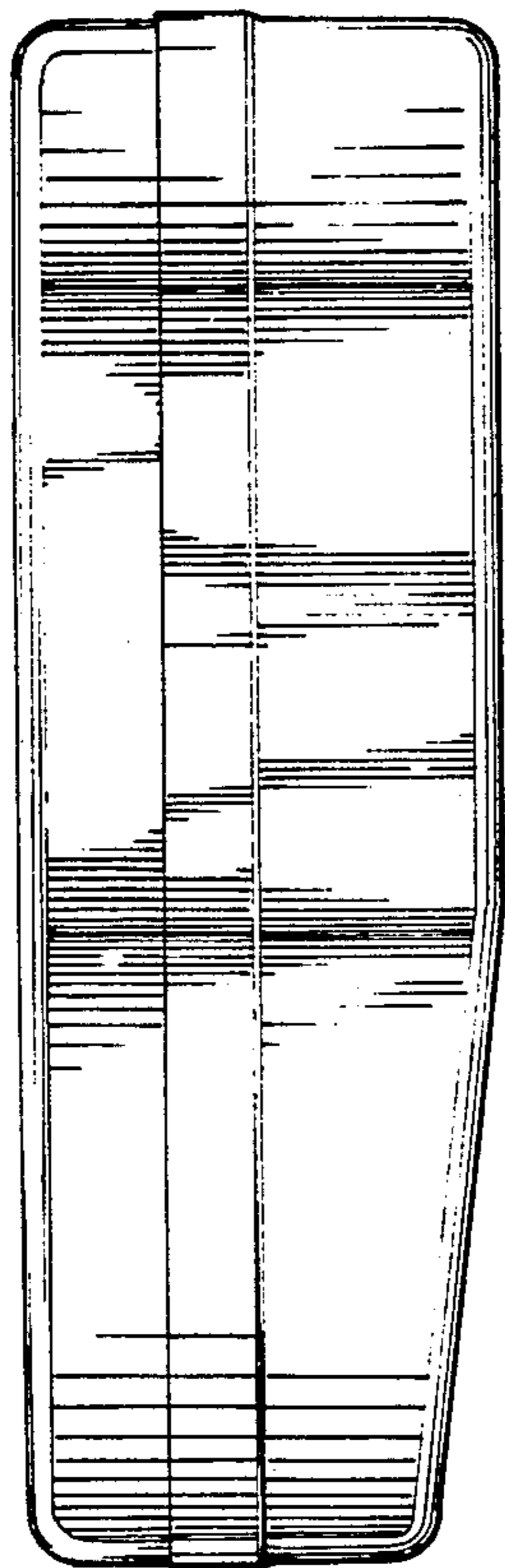


FIG 3

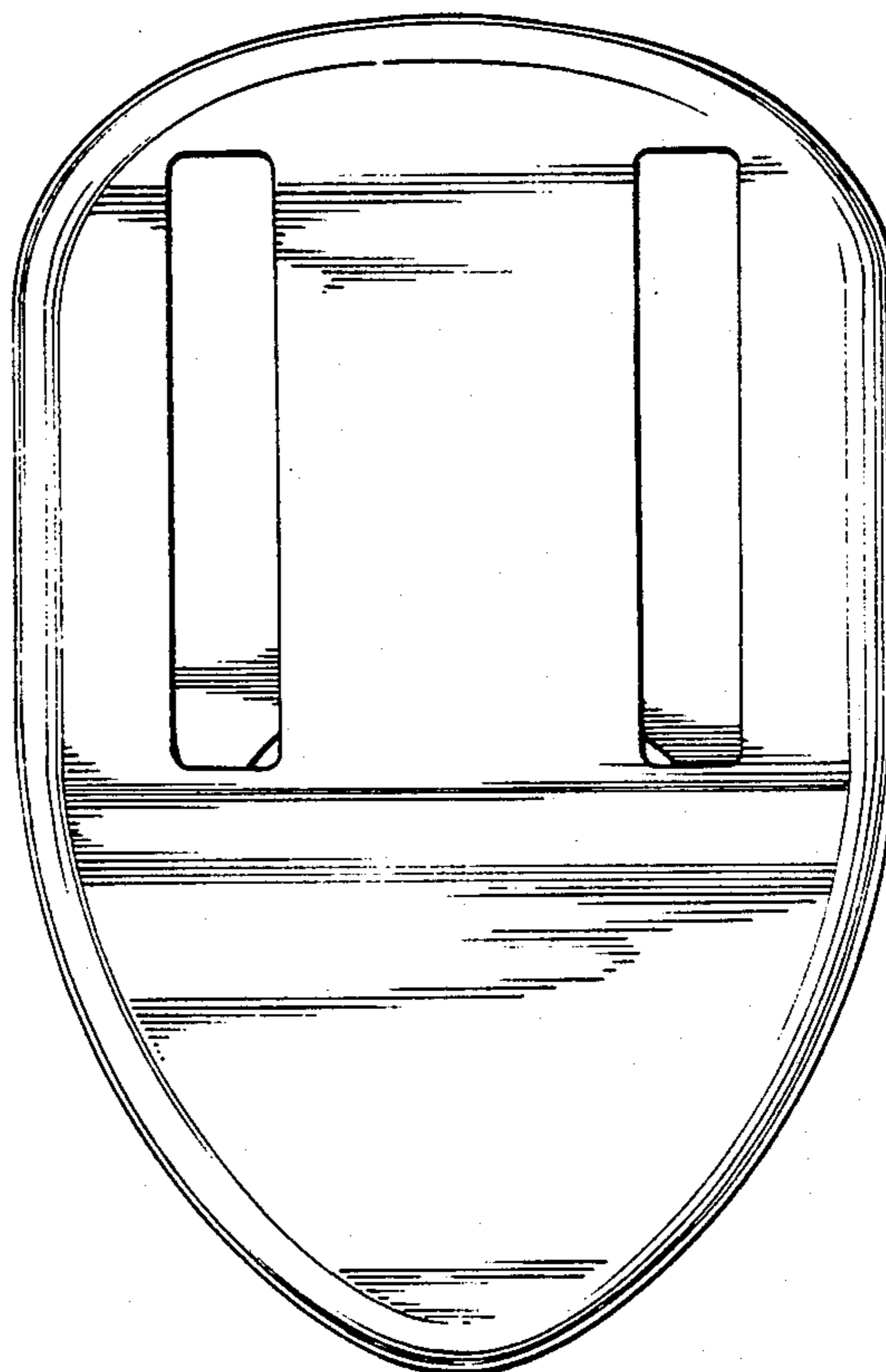


FIG 2

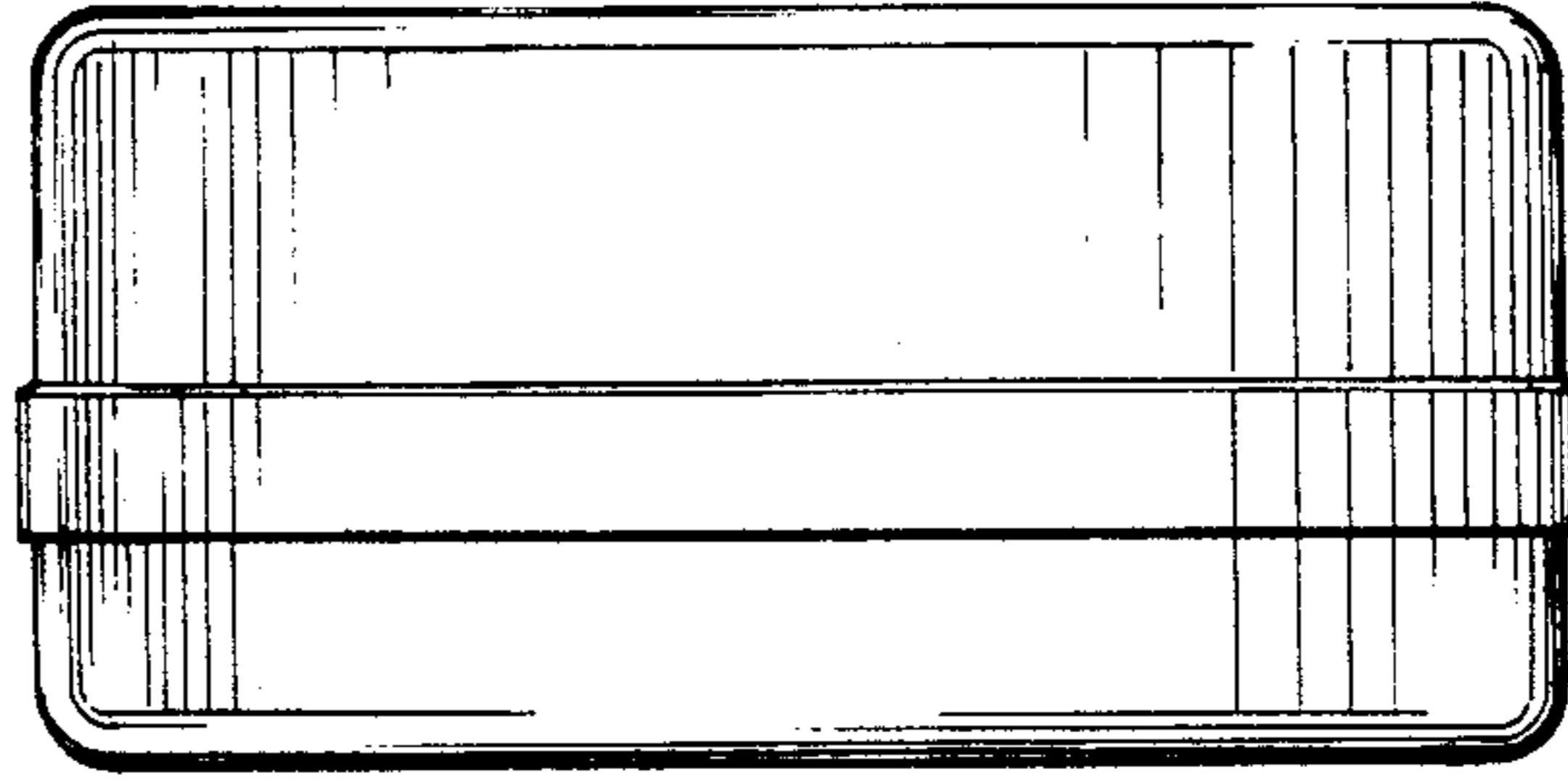


FIG 5

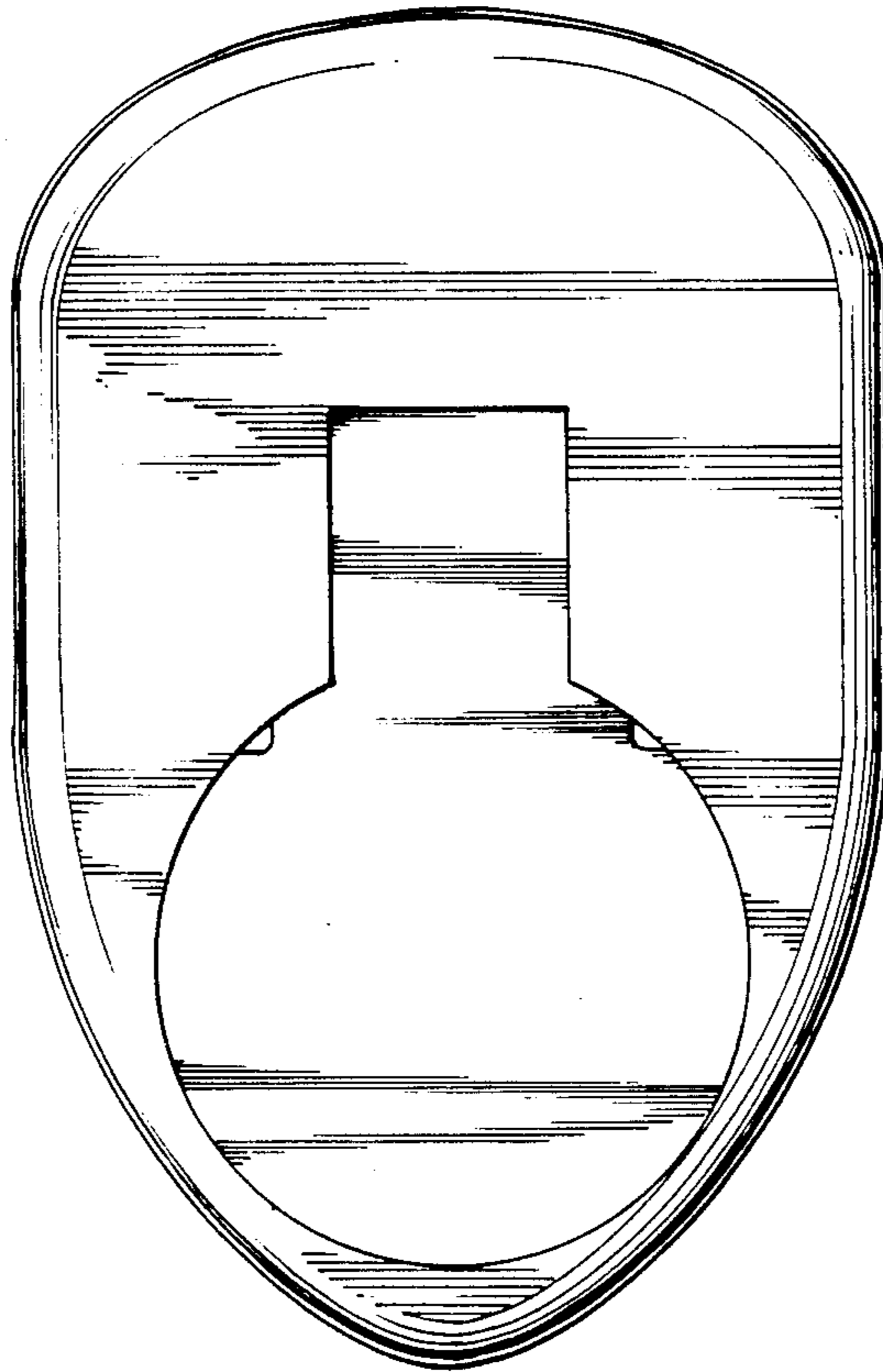


FIG 4

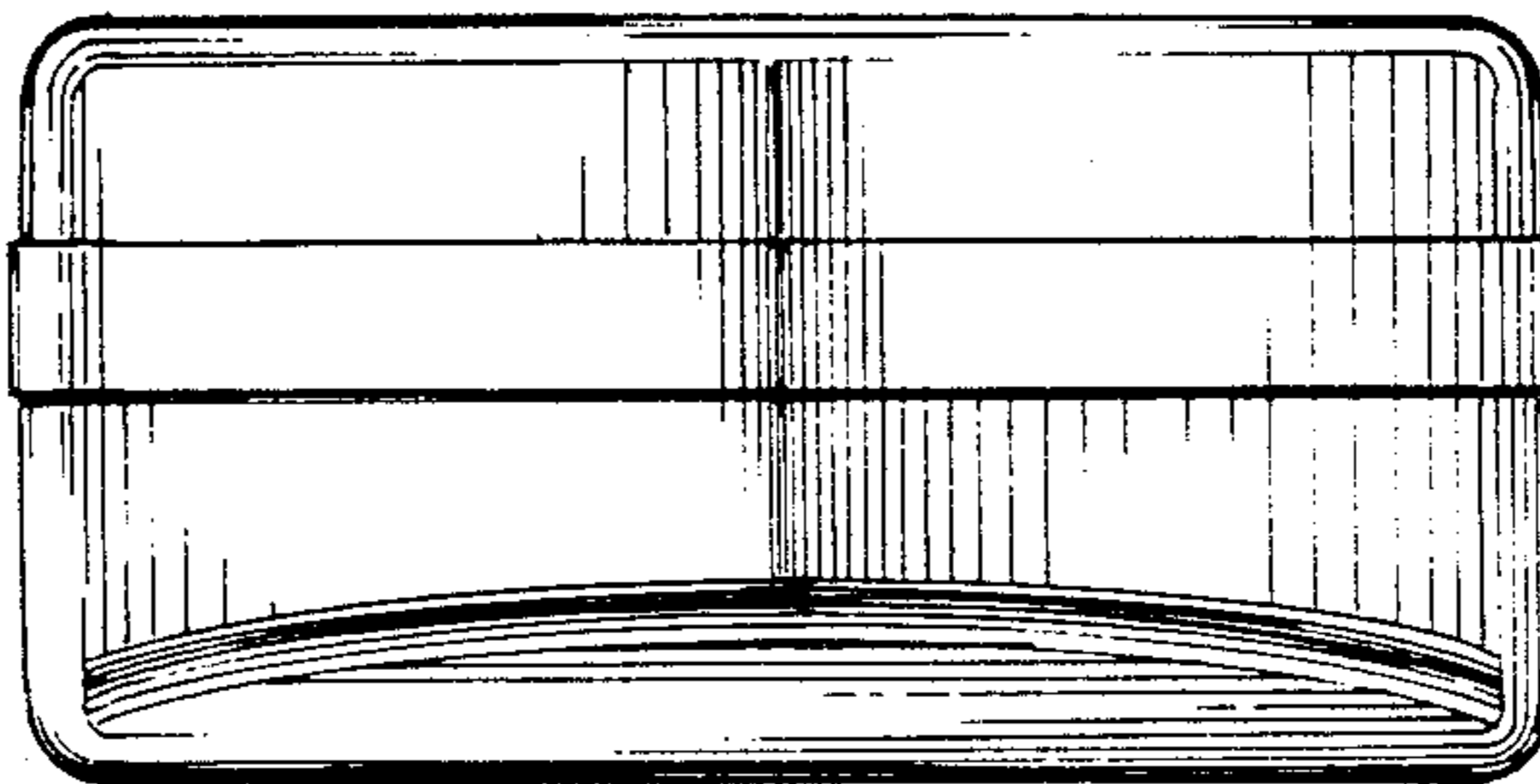


FIG 6