

[54] **TRUCK CAB INTERIOR CONSOLE**

[76] **Inventors:** Jerry D. Hooks, 6917 Windswept Cir., Fort Worth, Tex. 76135; Jesse L. Thompson, 4921 White Settlement Rd., Fort Worth, Tex. 76114

[**] **Term:** 14 Years

[21] **Appl. No.:** 910,428

[22] **Filed:** Sep. 22, 1986

[52] **U.S. Cl.** D12/155

[58] **Field of Search** D12/155, 192; 180/90

[56] **References Cited**

U.S. PATENT DOCUMENTS

- D. 245,414 8/1977 Ashbaugh et al. D12/155
- D. 251,838 5/1979 Derreberry D12/155

D. 259,633 6/1981 Butler D12/155

Primary Examiner—James M. Gandy
Attorney, Agent, or Firm—Charles D. Gunter, Jr.

[57] **CLAIM**

The ornamental design for a truck cab interior console, as shown.

DESCRIPTION

FIG. 1 is a perspective view of a truck cab interior console showing our new design; FIG. 2 is a front elevation view thereof; FIG. 3 is a bottom plan view thereof; FIG. 4 is a top plan view thereof; FIG. 5 is a rear elevation view thereof; FIG. 6 is a left end elevation view thereof; and FIG. 7 is a right end elevation view thereof.

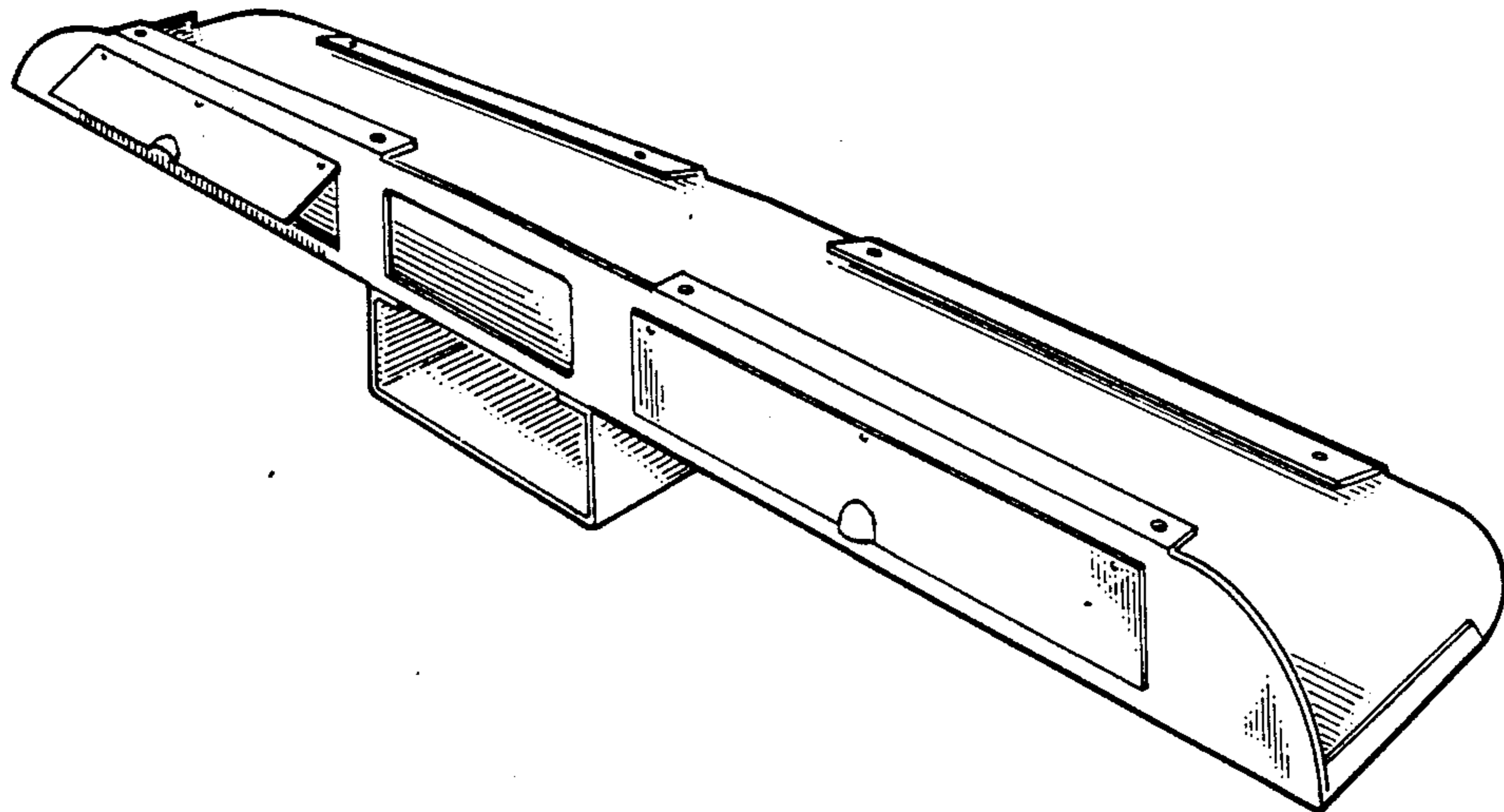


FIG. 1

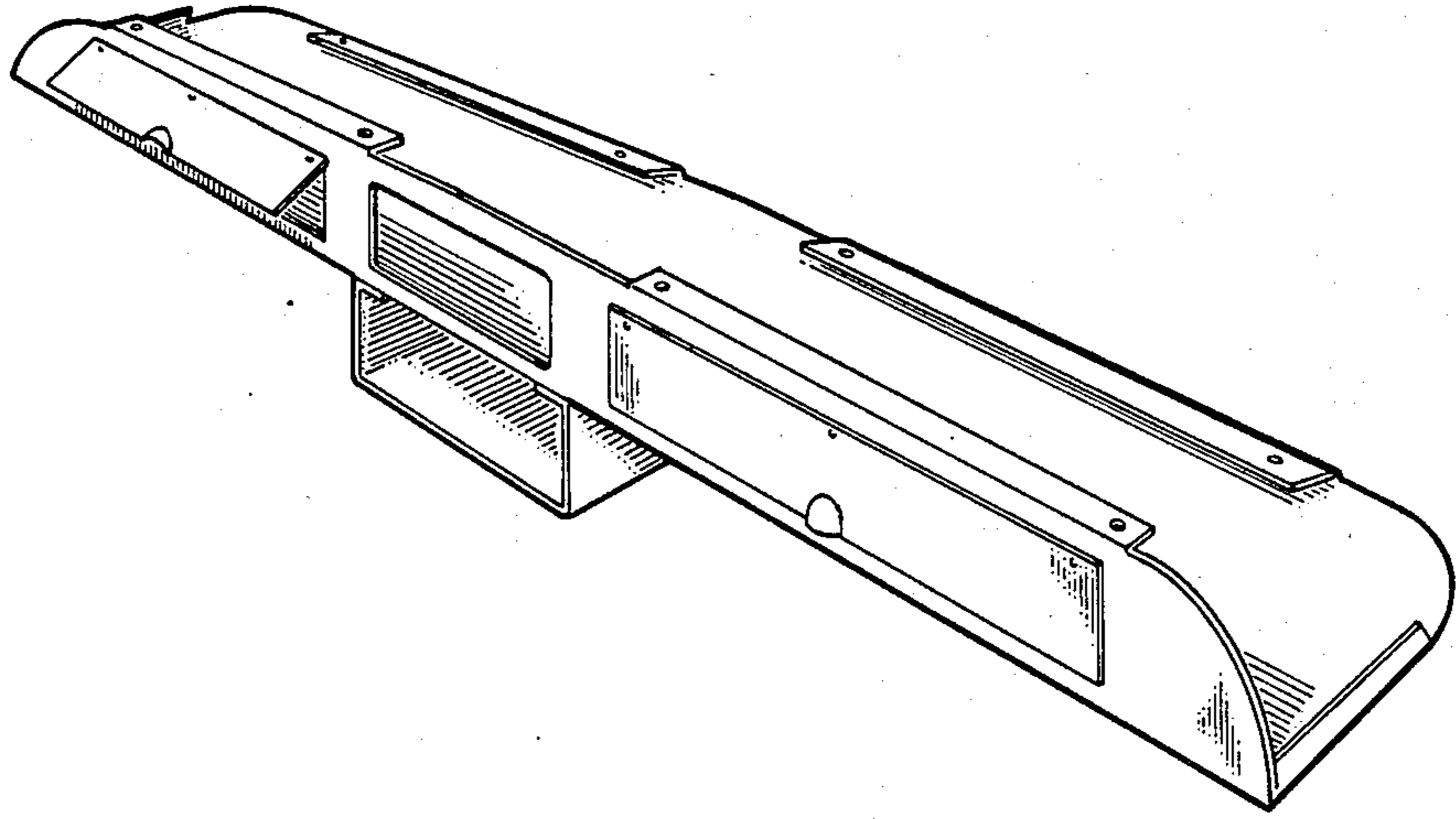


FIG. 2

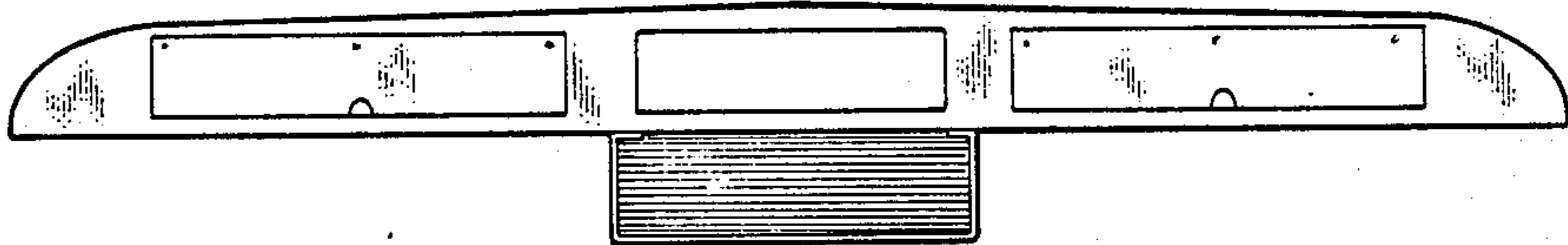


FIG. 3

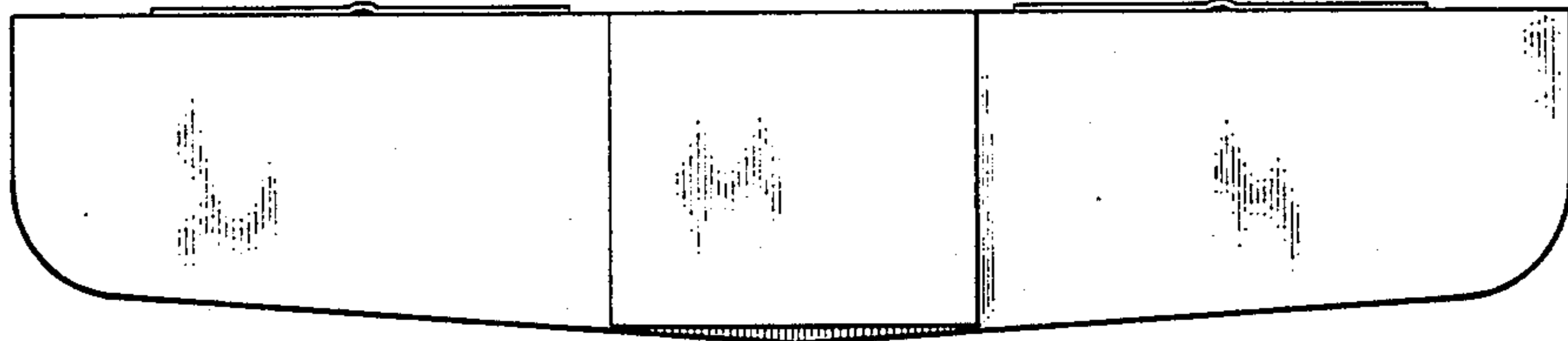


FIG. 4

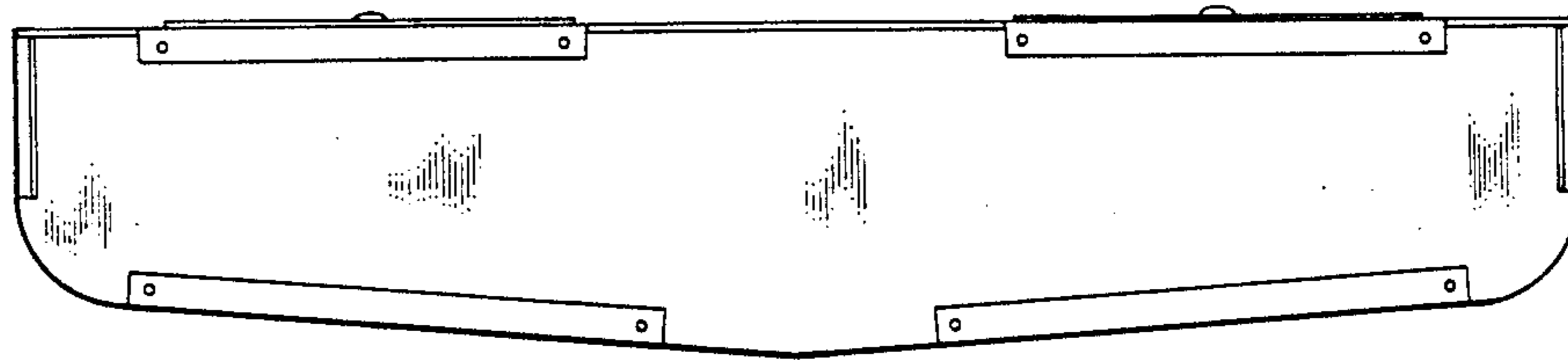


FIG. 5

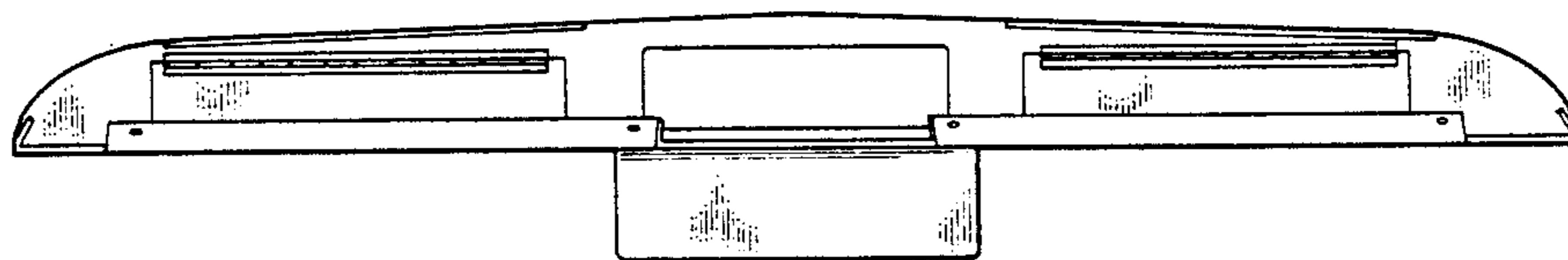


FIG. 6

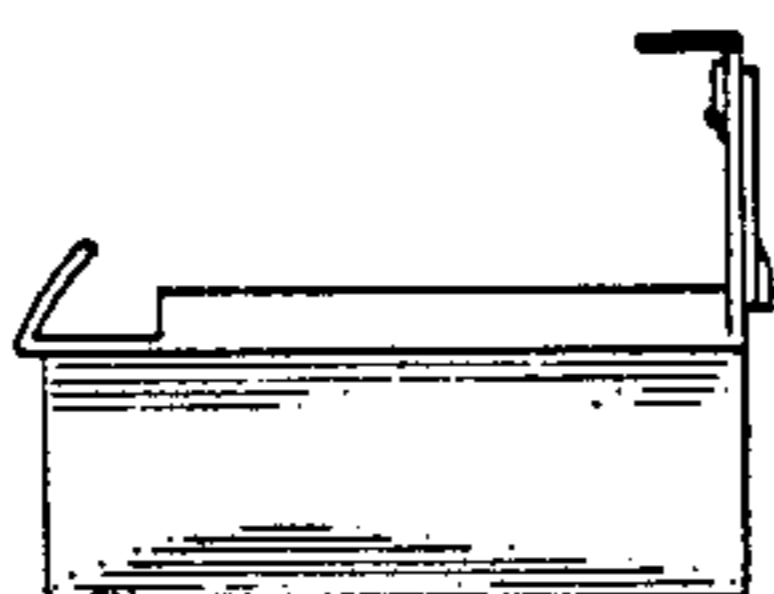


FIG. 7

