

[54] PACKAGING CONTAINER
 [75] Inventor: Richard E. Pugh, Lancaster, Ohio
 [73] Assignee: Anchor Hocking Corporation,
 Lancaster, Ohio
 [**] Term: 14 Years
 [21] Appl. No.: 21,015
 [22] Filed: Mar. 8, 1987

D. 245,229 8/1977 Hanson D9/418
 D. 246,440 11/1977 Hanson D9/418
 D. 259,335 5/1981 Gillespie D9/337
 D. 263,566 3/1982 Polito et al. D9/418
 D. 274,407 6/1984 Rosenburg, Jr. D9/418
 D. 278,126 3/1985 Benham D9/418
 D. 279,655 7/1985 Caldwell et al. D9/418
 3,627,115 12/1971 Samalon 206/45.14

Primary Examiner—Robert C. Spangler
 Attorney, Agent, or Firm—Stoll, Wilkie, Previto &
 Hoffman

Related U.S. Application Data

[62] Division of Ser. No. 630,183, Jul. 12, 1984.
 [52] U.S. Cl. D9/418
 [58] Field of Search D9/346, 337, 432, 418;
 229/6 R, 41 R; 206/44 R, 45.14, 45.19, 45.31,
 426

[57] CLAIM

The ornamental design for a packaging container, sub-
 stantially as shown and described.

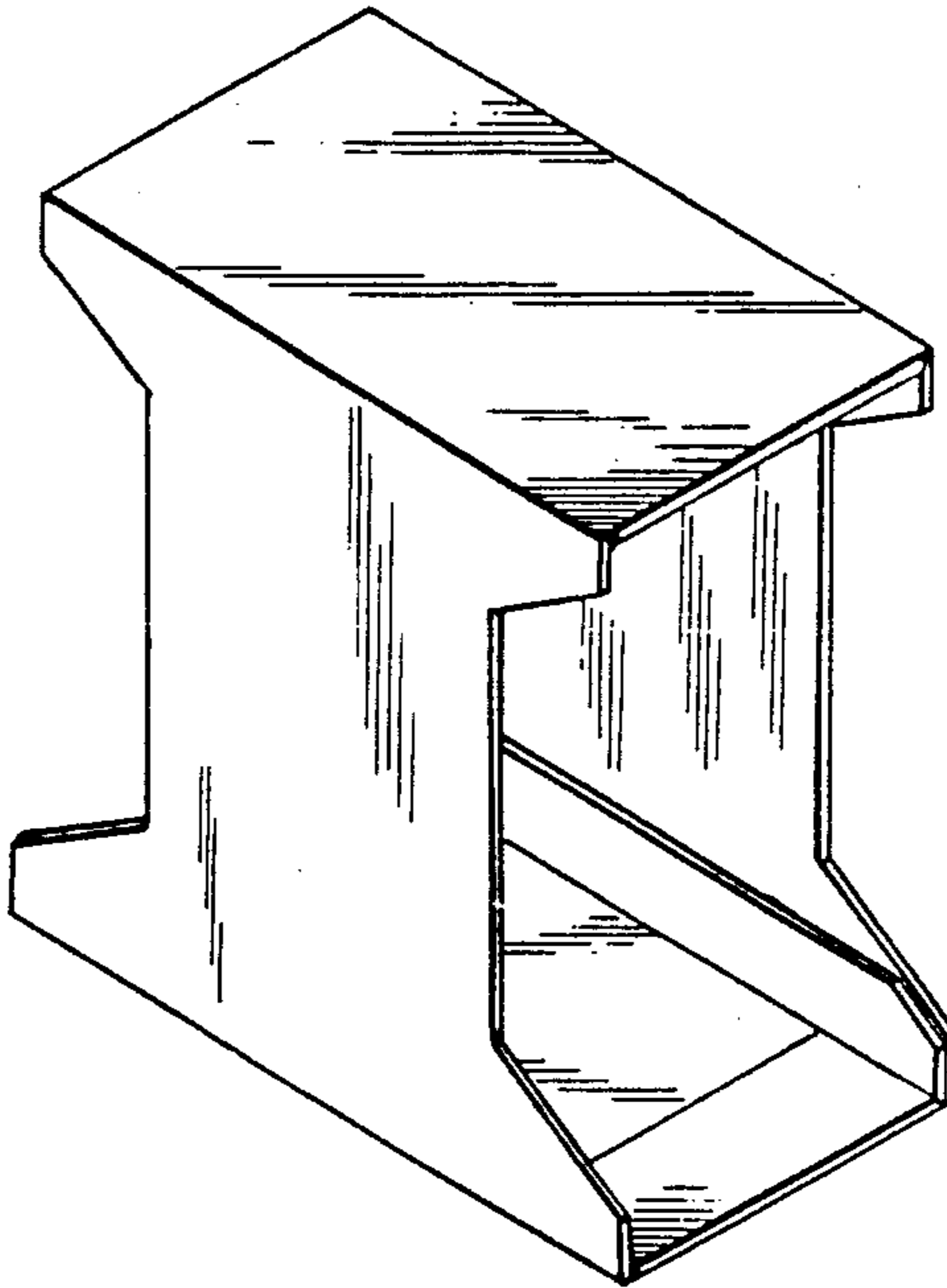
DESCRIPTION

FIG. 1 is a perspective view of a packaging container
 showing my new design;
 FIG. 2 is a top plan view;
 FIG. 3 is a front elevational view;
 FIG. 4 is a side elevational view; and
 FIG. 5 is a bottom view.

[56] References Cited

U.S. PATENT DOCUMENTS

D. 179,933 3/1957 Currie D9/346
 D. 192,891 5/1962 Larsen D9/346



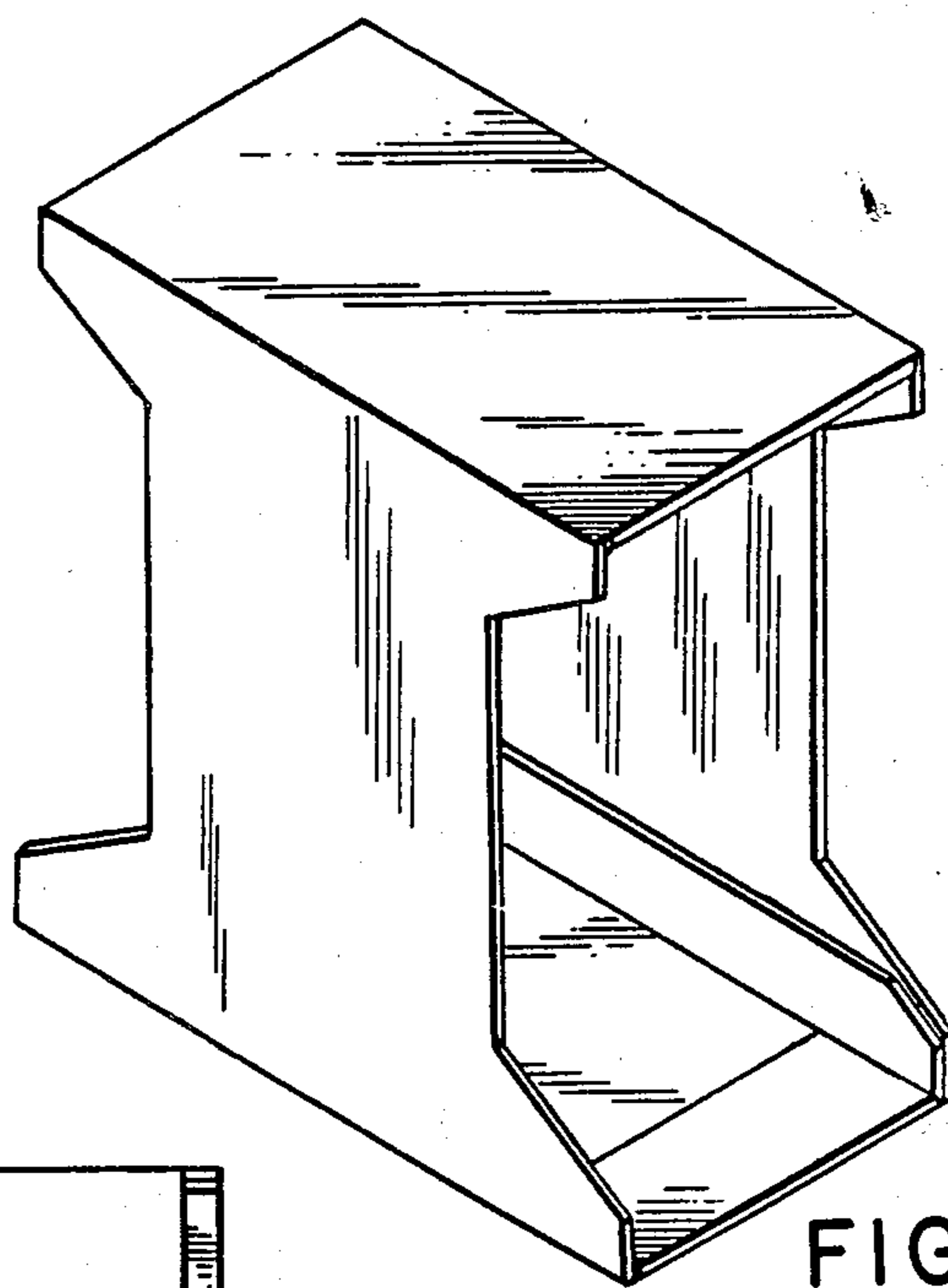


FIG. 1

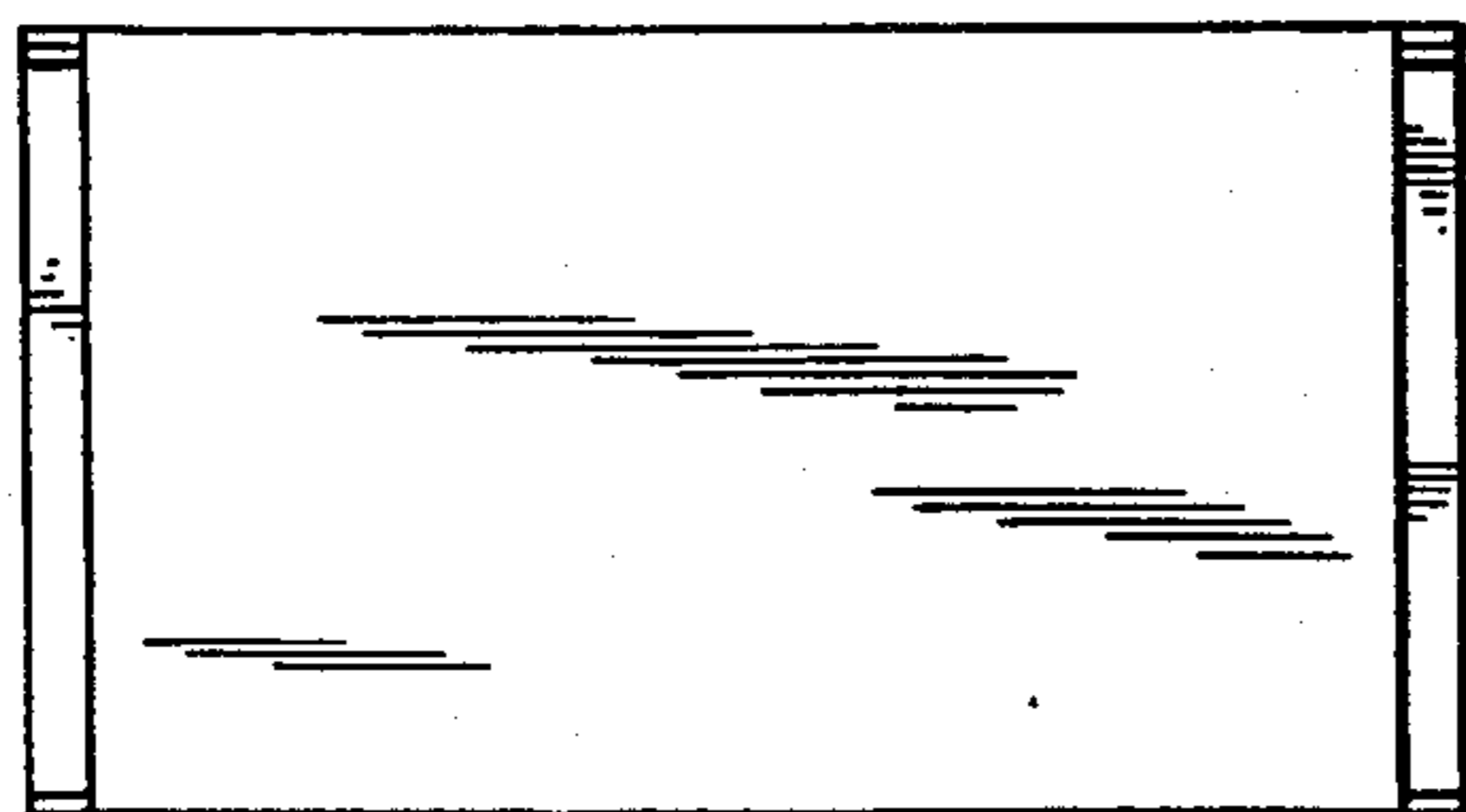


FIG. 2

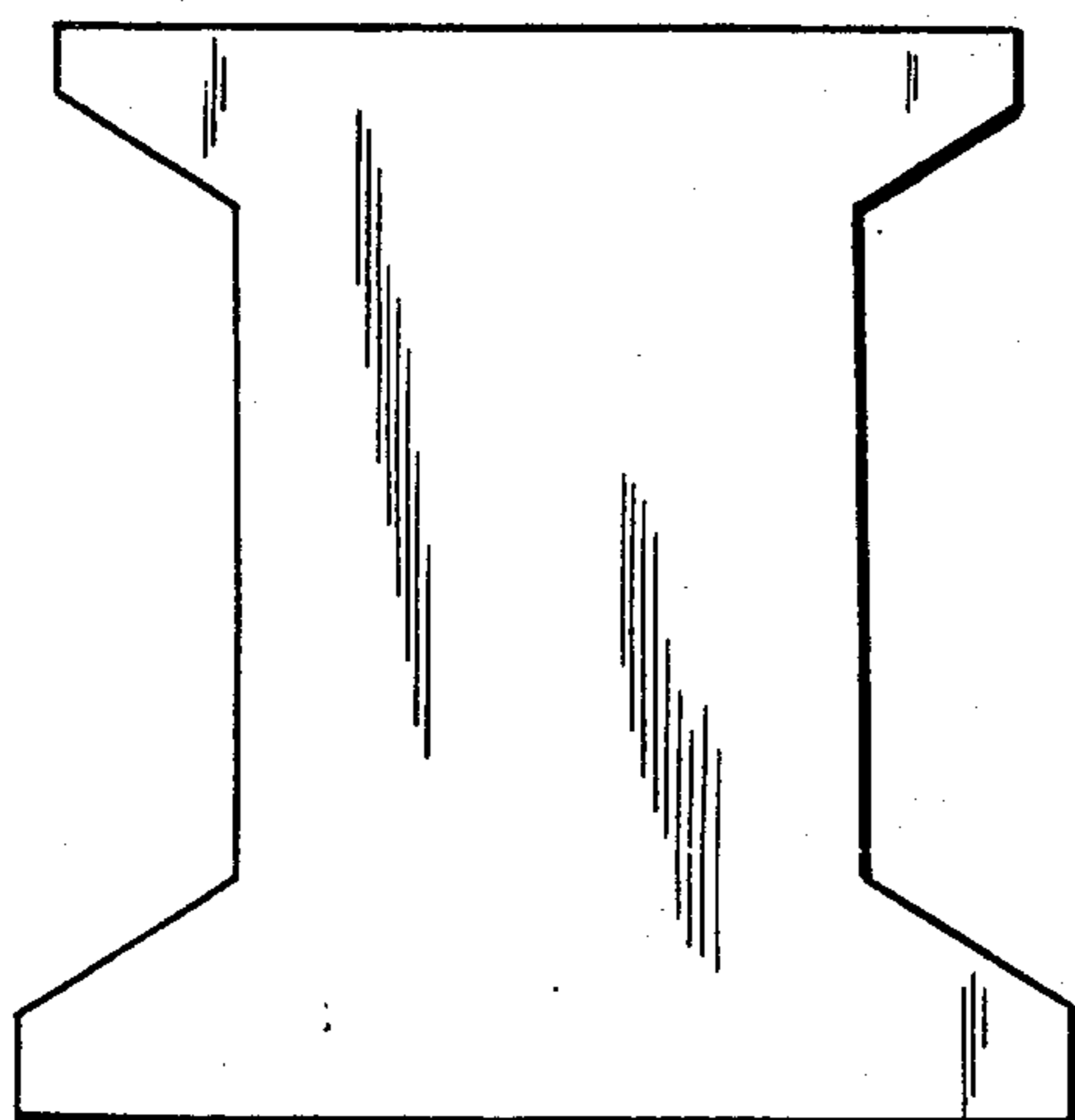


FIG. 3

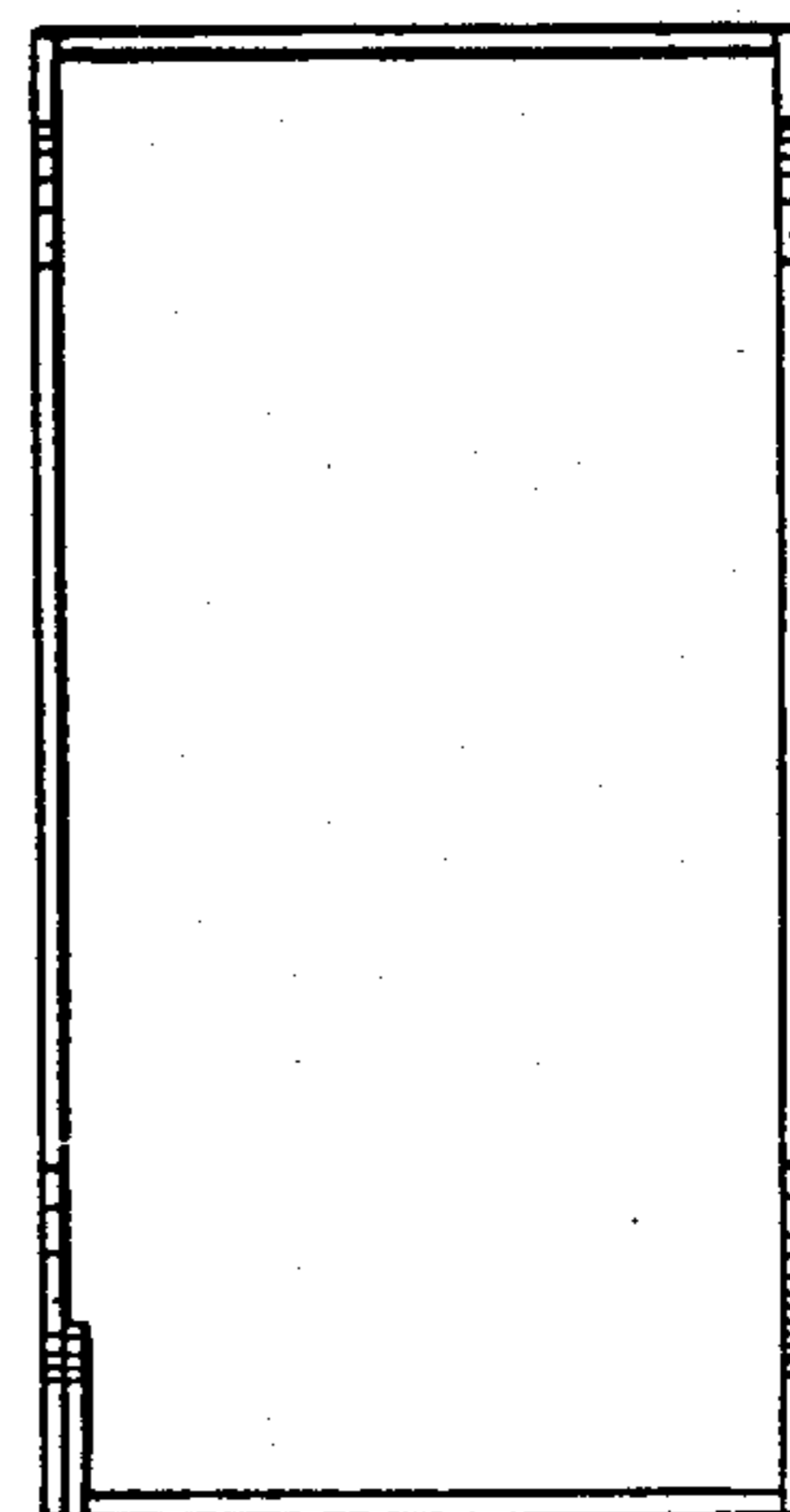


FIG. 4

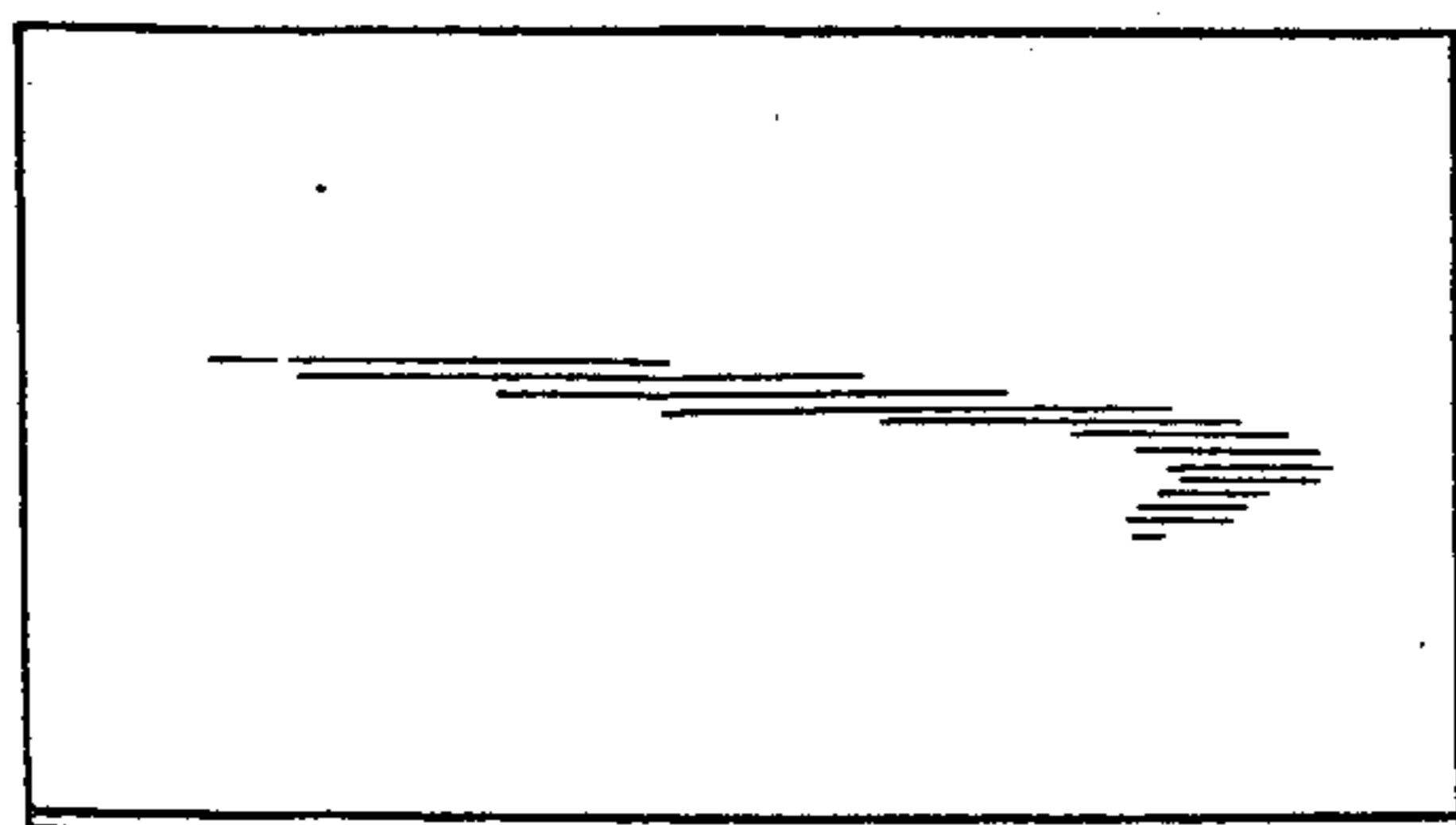


FIG. 5