

[54] PACKAGING CONTAINER OR THE LIKE

[75] Inventors: Robert D. Holewinski, Lakehurst; Leslie Hamilton, Trenton, both of N.J.

[73] Assignee: Johnson & Johnson Dental Products Company, East Windsor, N.J.

[\*\*] Term: 14 Years

[21] Appl. No.: 752,869

[22] Filed: Jul. 8, 1985

[52] U.S. Cl. .... D9/398; D9/399; D9/443

[58] Field of Search ..... D9/349, 352, 353, 355, D9/390, 398, 399, 435, 453, 454, 443, 424

[56] References Cited

U.S. PATENT DOCUMENTS

D. 105,090	6/1937	Connor	.....	D9/352
D. 120,167	4/1940	Deskey	.....	D9/353
D. 193,219	7/1962	Burdick et al.	.....	D9/399
D. 236,434	8/1975	Shine et al.	.....	D9/443 X
D. 276,891	12/1984	Fortuna	.....	D9/453 X
D. 277,458	2/1985	Negggers	.....	D9/443
D. 277,459	2/1985	Baum et al.	.....	D9/443

Primary Examiner—Robert C. Spangler

[57] CLAIM

The ornamental design for a packaging container or the like, as shown.

DESCRIPTION

FIG. 1 is a top perspective view of a packaging container or the like showing our new design; FIG. 2 is a top plan view; FIG. 3 is a bottom plan view; FIG. 4 is a side elevational view; and FIG. 5 is a front elevational view.

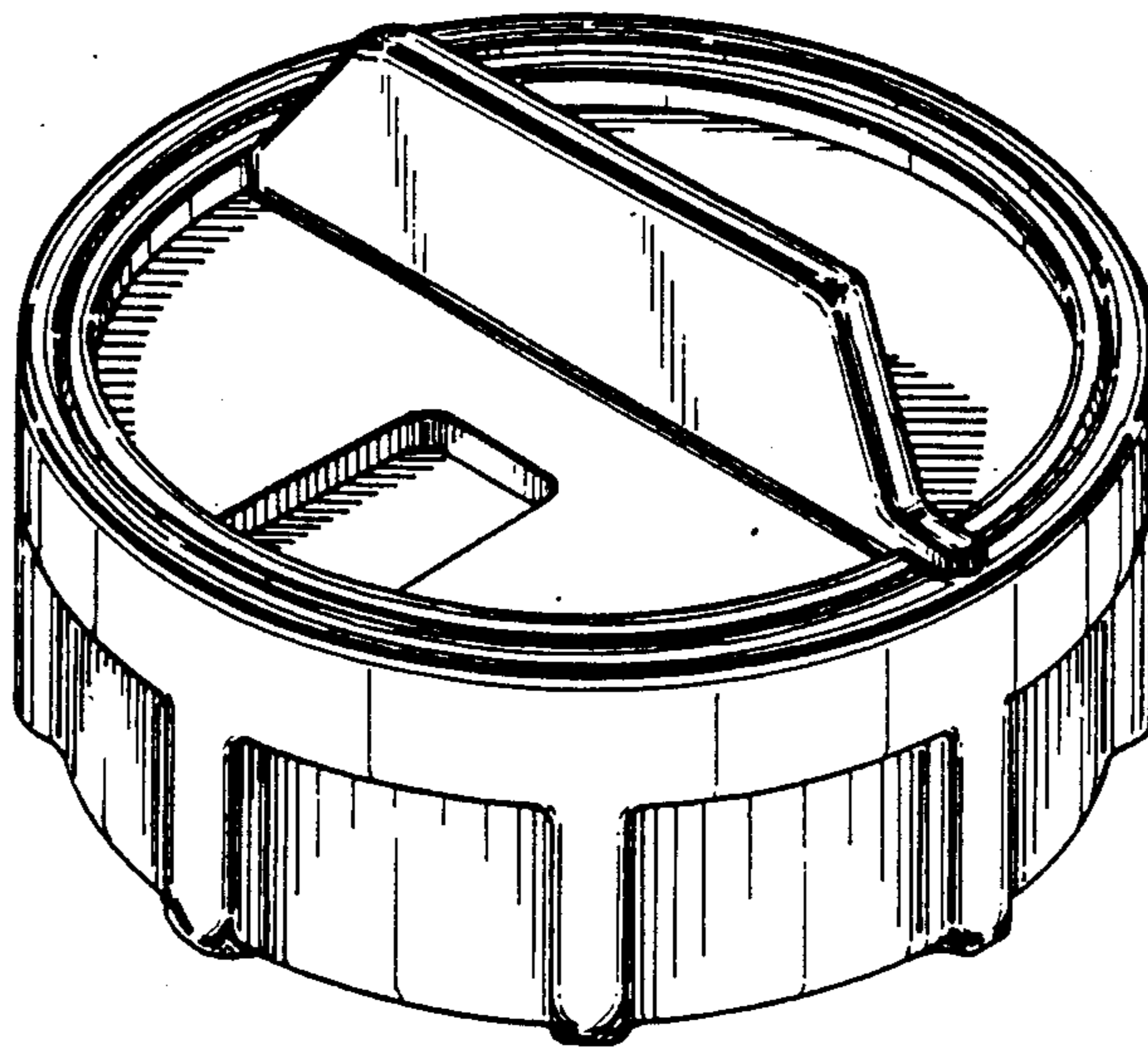


FIG-1

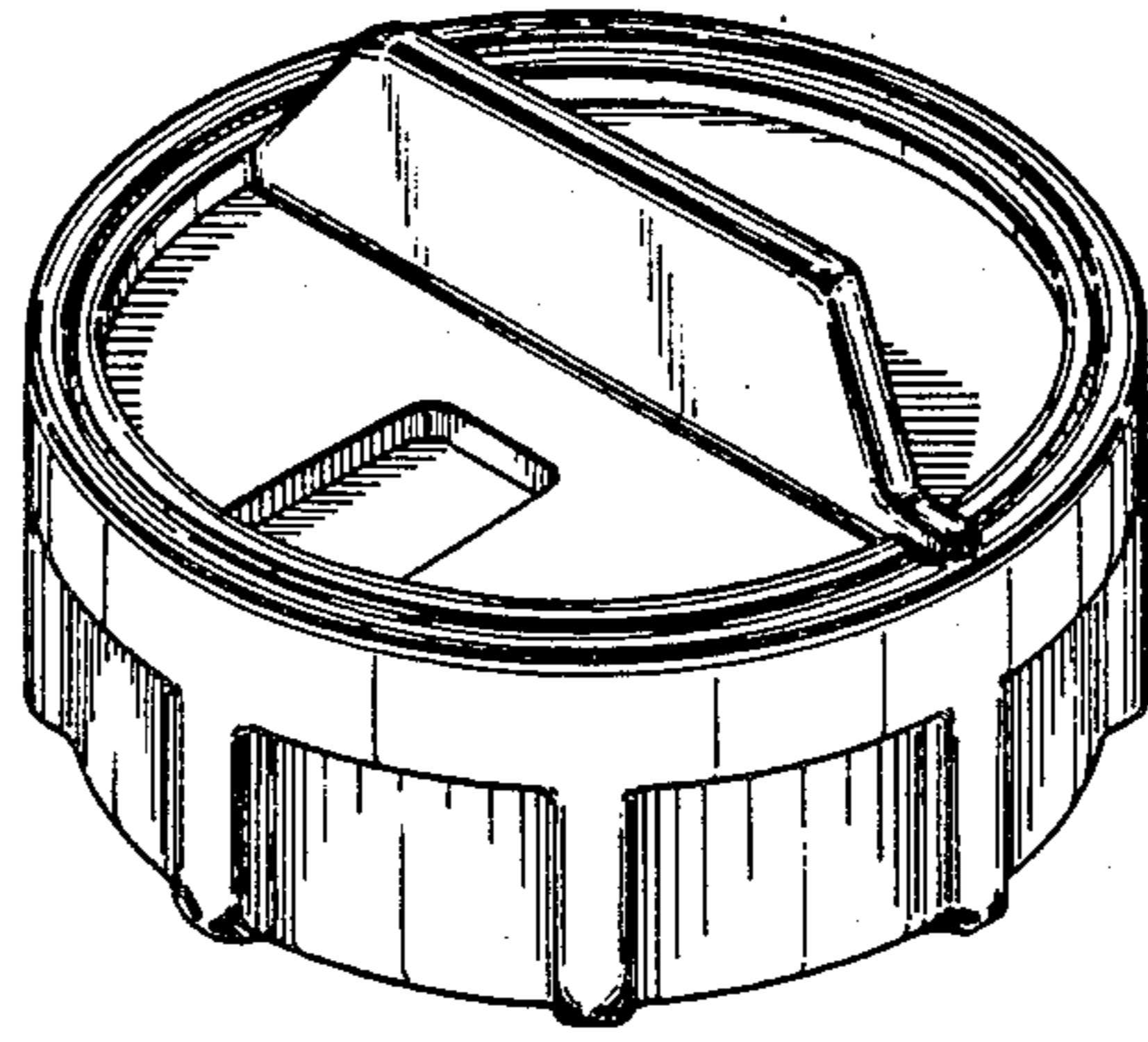


FIG-2

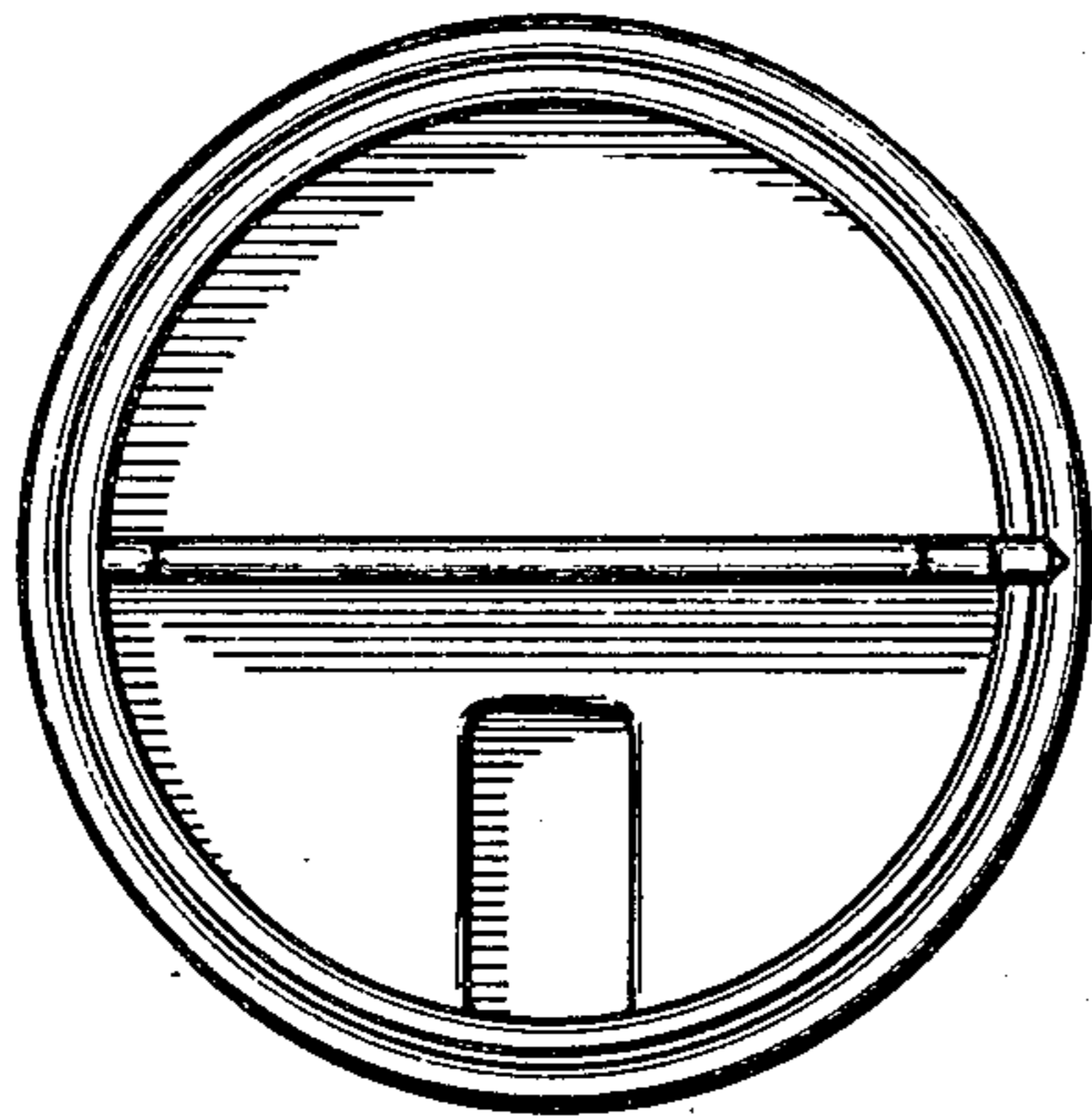


FIG-3

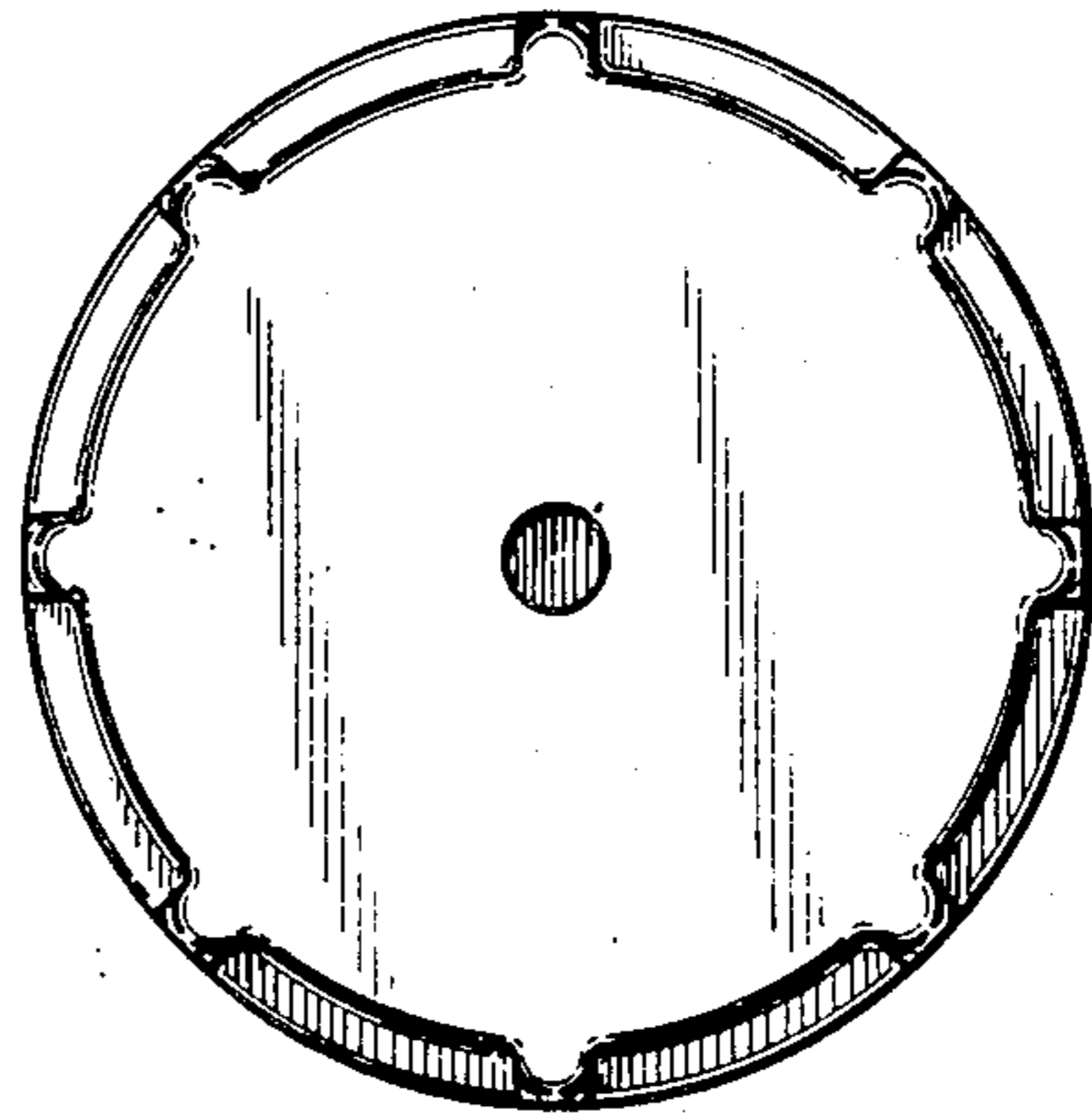


FIG-4

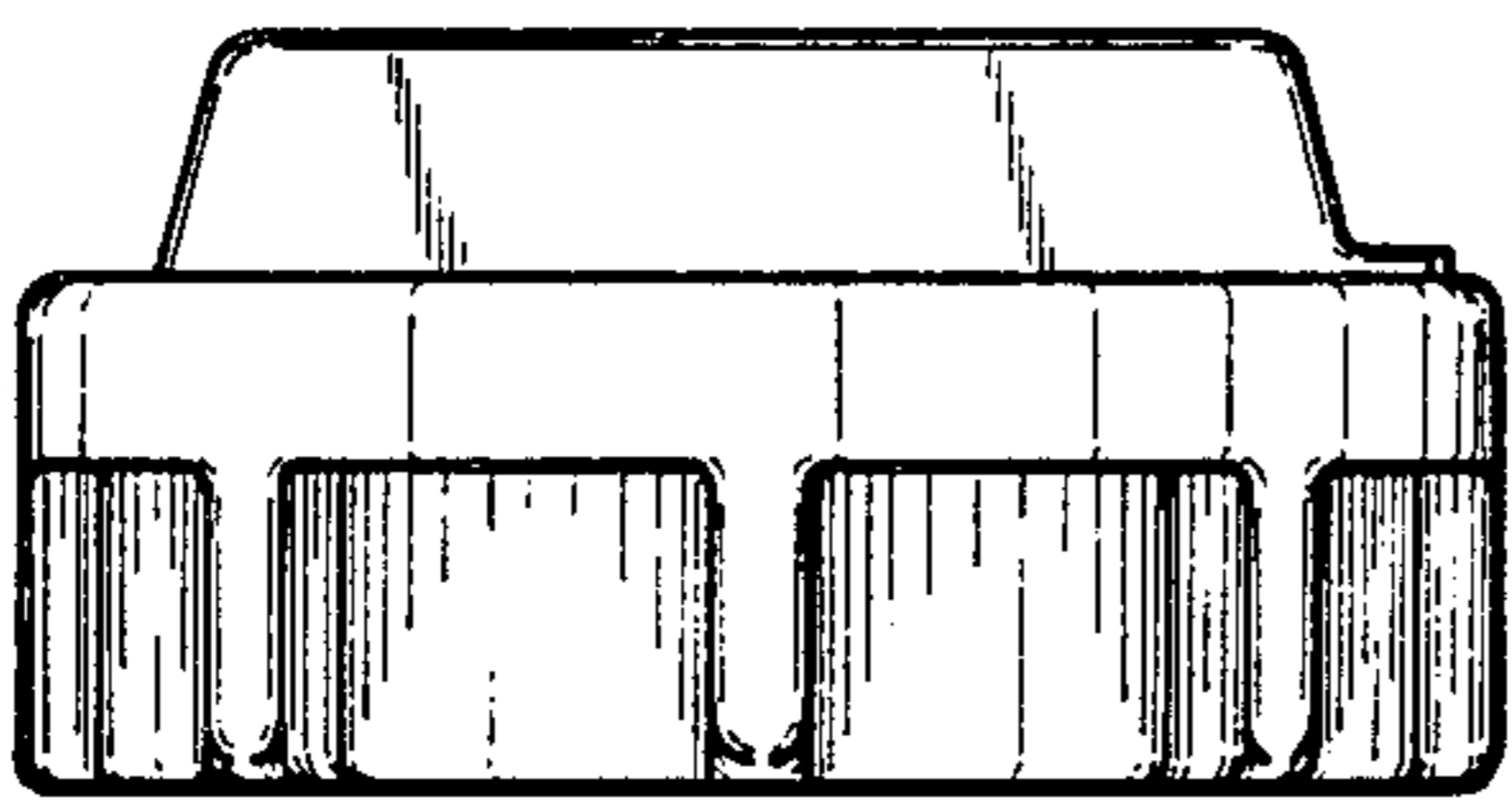


FIG-5

