

[54] FASTENER OR THE LIKE

[75] Inventor: Toshie Tanaka, Yokohama, Japan

[73] Assignee: Nifco Inc., Yokohama, Japan

[\*\*] Term: 14 Years

[21] Appl. No.: 870,336

[22] Filed: Jun. 3, 1986

[30] Foreign Application Priority Data

Dec. 20, 1985 [JP] Japan ..... 60-52727

[52] U.S. Cl. .... D8/382

[58] Field of Search ..... D8/382; 411/500, 504,  
411/508, 44, 76, 570; 24/297

[56] References Cited

U.S. PATENT DOCUMENTS

4,356,601 11/1982 Kimura ..... 411/508

4,393,561 7/1983 Yuda ..... 411/508

4,506,419 3/1985 Mitomi ..... 24/297

Primary Examiner—B. J. Bullock  
Attorney, Agent, or Firm—Trexler, Bushnell, Giangiorgi  
& Blackstone, Ltd.

[57] CLAIM

The ornamental design for a fastener or the like, as shown and described.

DESCRIPTION

FIG. 1 is a front elevational view of a fastener or the like, showing my new design;

FIG. 2 is a right side elevational view thereof, the left side being a mirror image;

FIG. 3 is a top plan view thereof;

FIG. 4 is a bottom plan view thereof;

FIG. 5 is a cross-sectional view taken in the direction of the arrows on line V—V of FIG. 3;

FIG. 6 is a sectional view identical to FIG. 5, the portions of the two panels shown in broken lines are for illustrative purposes only;

FIG. 7 is a perspective view thereof, the panels being shown in broken lines and exploded are for illustrative purposes only.

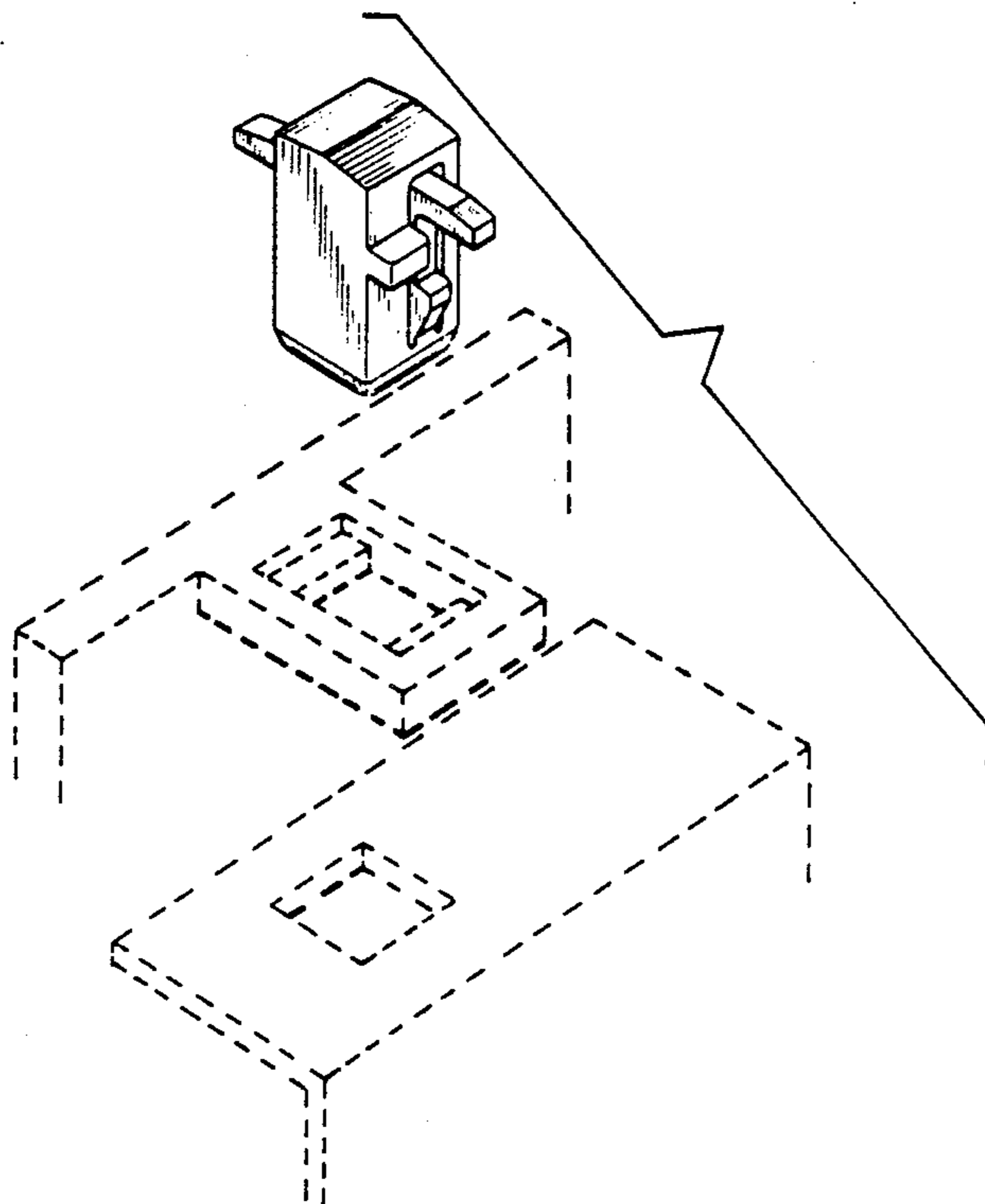


FIG. 1

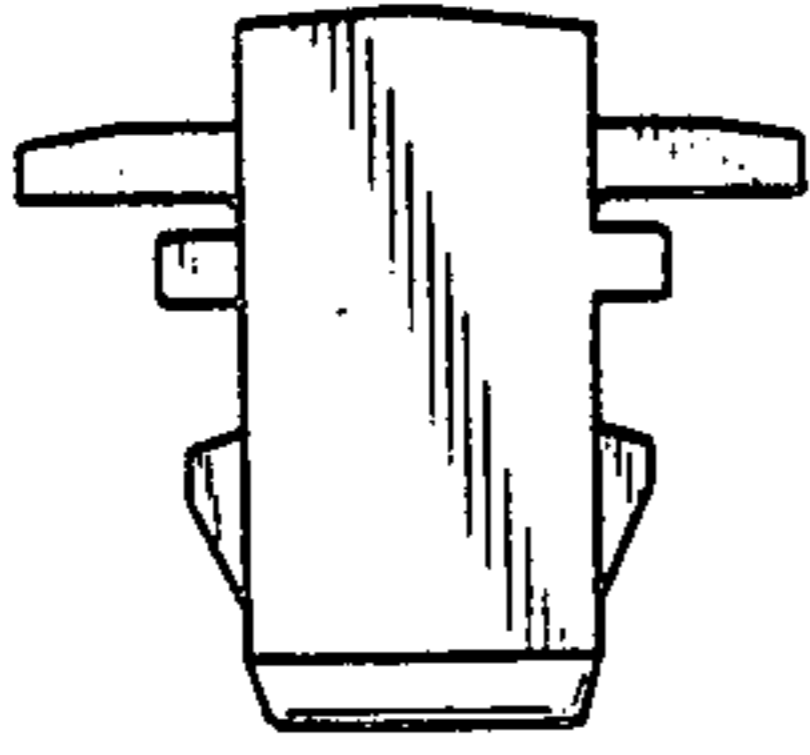


FIG. 2

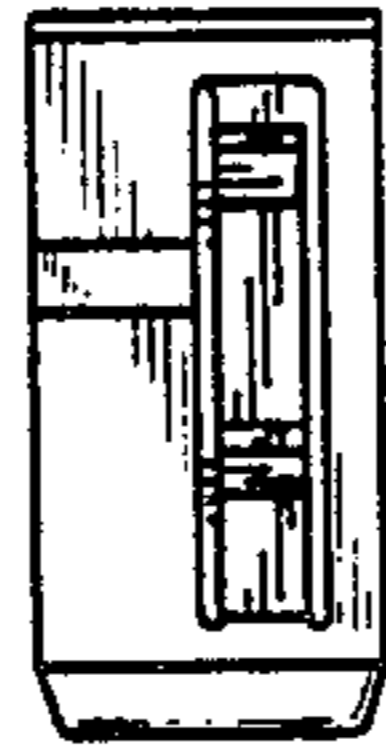


FIG. 5

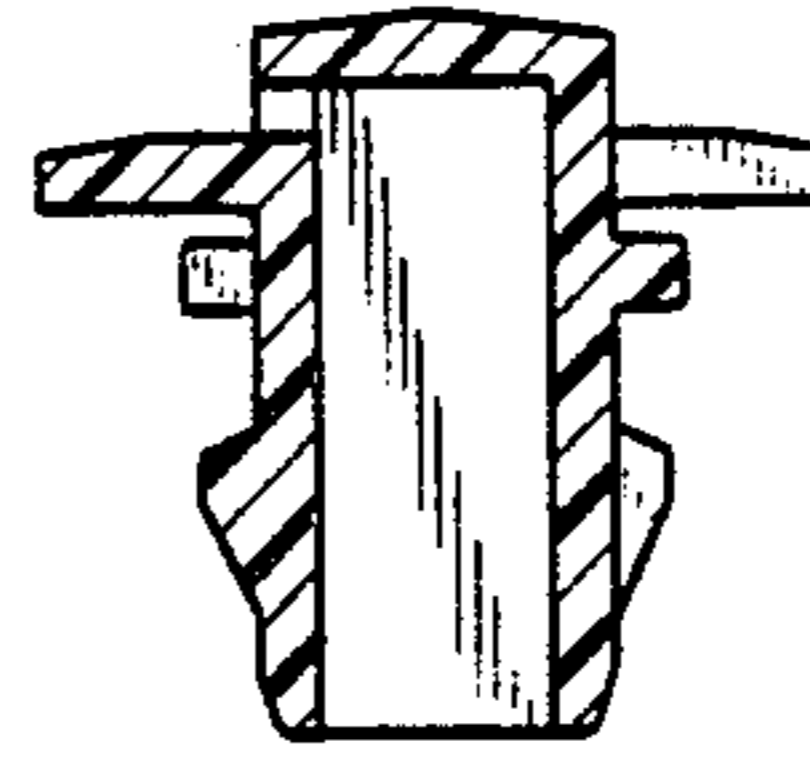


FIG. 3

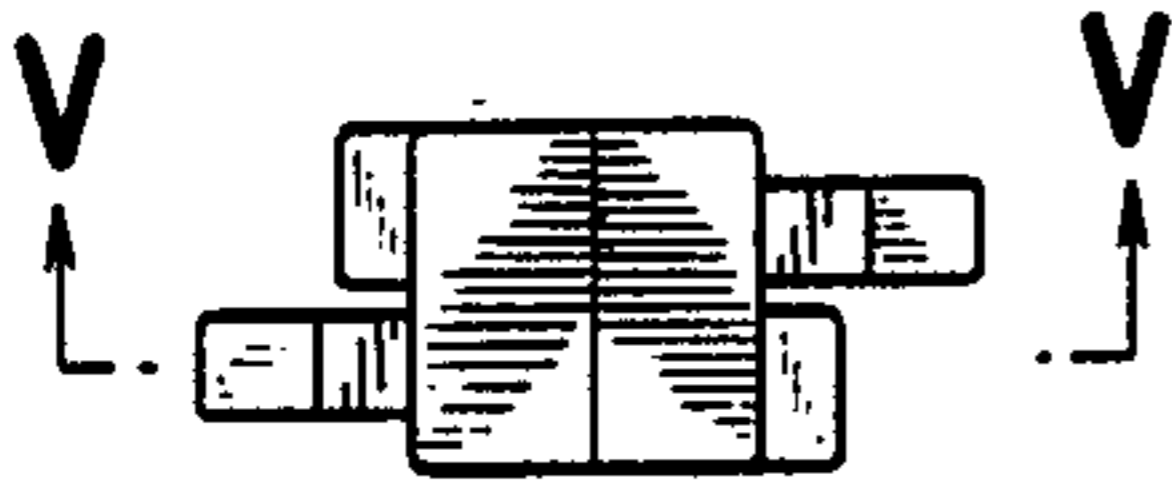


FIG. 4

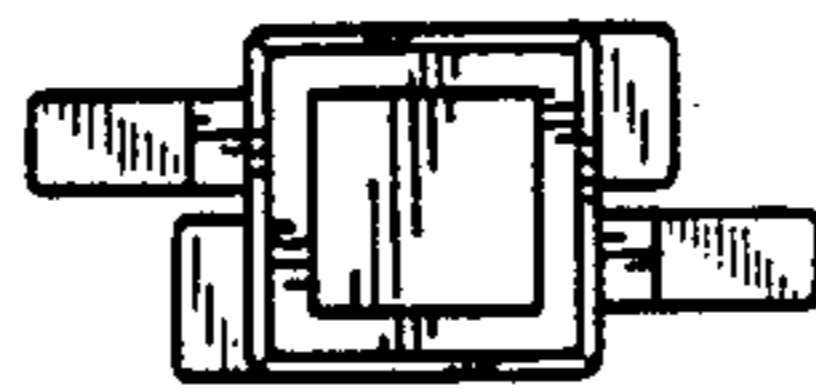


FIG. 6

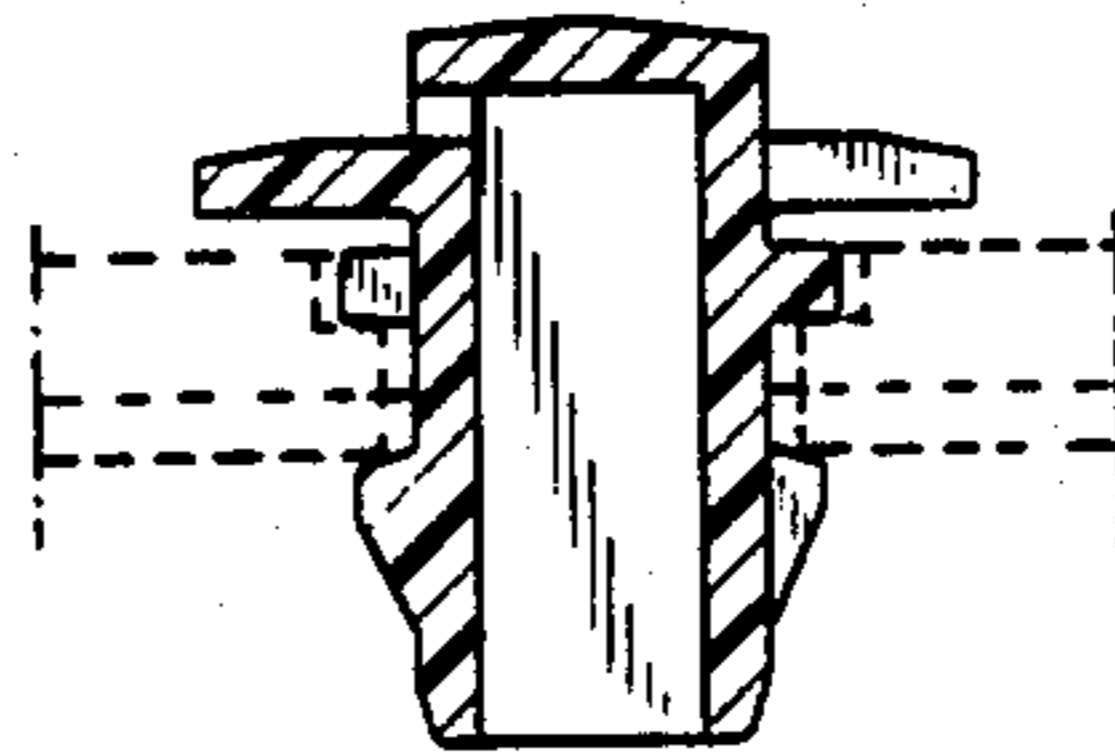


FIG. 7

