

[54] FASTENER OR THE LIKE

[75] Inventor: Hiroshi Osada, Yokohama, Japan

[73] Assignee: Nifco Inc., Yokohama, Japan

[*] Notice: The portion of the term of this patent subsequent to May 17, 2002 has been disclaimed.

[**] Term: 14 Years

[21] Appl. No.: 807,363

[22] Filed: Dec. 10, 1985

[30] Foreign Application Priority Data

Jun. 26, 1985 [JP] Japan 60-27057

[52] U.S. Cl. D8/382

[58] Field of Search D8/382, 388, 391, 392; D12/176; 411/500, 501, 508, 509, 510

[56] References Cited

U.S. PATENT DOCUMENTS

- D. 27,138 6/1897 O'Sullivan D8/391
- D. 273,091 3/1984 Kurotaki D8/382
- 2,227,579 1/1941 Harley D12/176
- 2,274,069 2/1942 Johnson D12/176
- 2,828,645 4/1958 Wilfert D12/176

4,402,641 9/1983 Arff 411/510

FOREIGN PATENT DOCUMENTS

- 0507652 11/1954 Canada 411/508
- 2070678 9/1981 United Kingdom 411/500

Primary Examiner—B. J. Bullock
Attorney, Agent, or Firm—Trexler, Bushnell, Giangiorgi & Blackstone, Ltd.

[57] CLAIM

The ornamental design for a fastener or the like, as shown and described.

DESCRIPTION

FIG. 1 is a top and left front perspective view of a fastener or the like, showing my new design;
 FIG. 2 is a top plan view thereof;
 FIG. 3 is a bottom plan view thereof;
 FIG. 4 is a front elevational view thereof, the rear being identical;
 FIG. 5 is a right side elevational view thereof;
 FIG. 6 is a cross-sectional view taken in the direction of the arrows on line VI—VI of FIG. 2;
 FIG. 7 is a front elevational view thereof, the broken line showing of the panels being for illustrative purposes only.

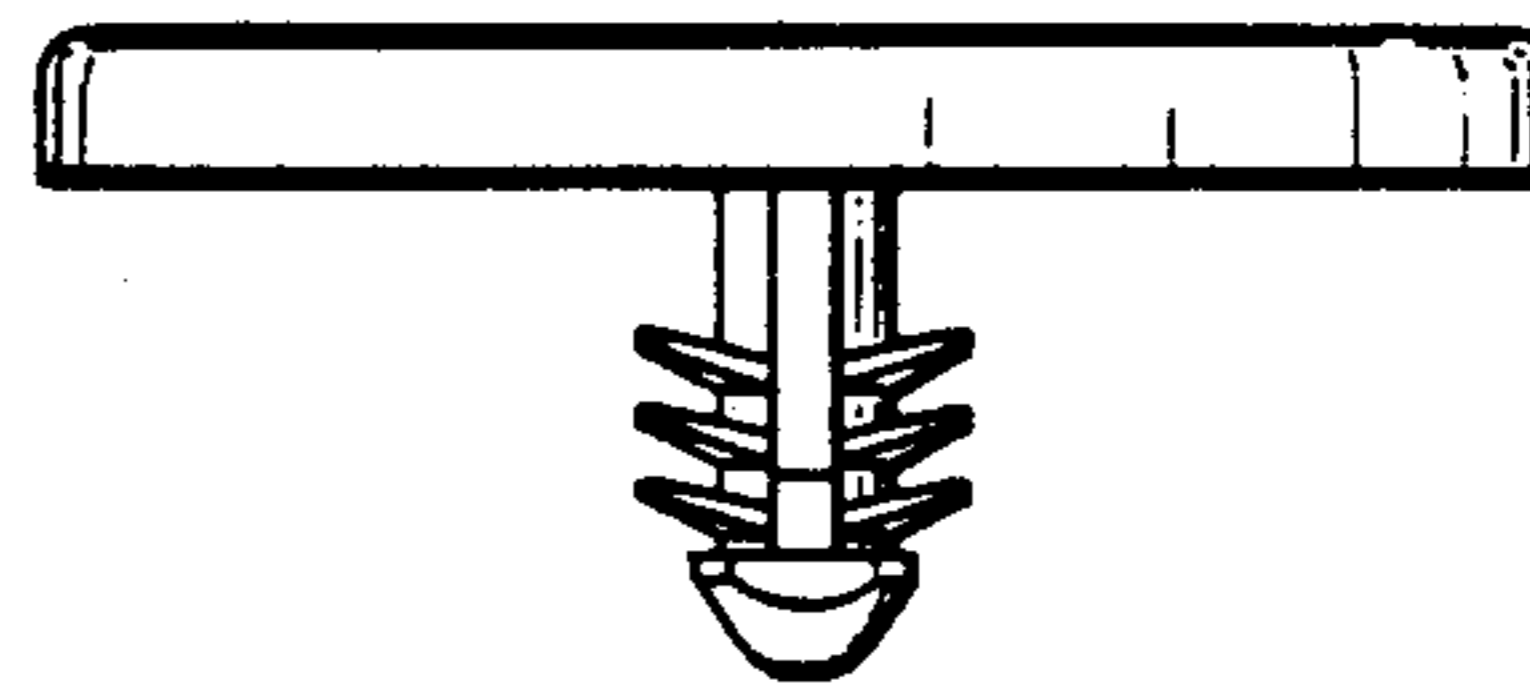
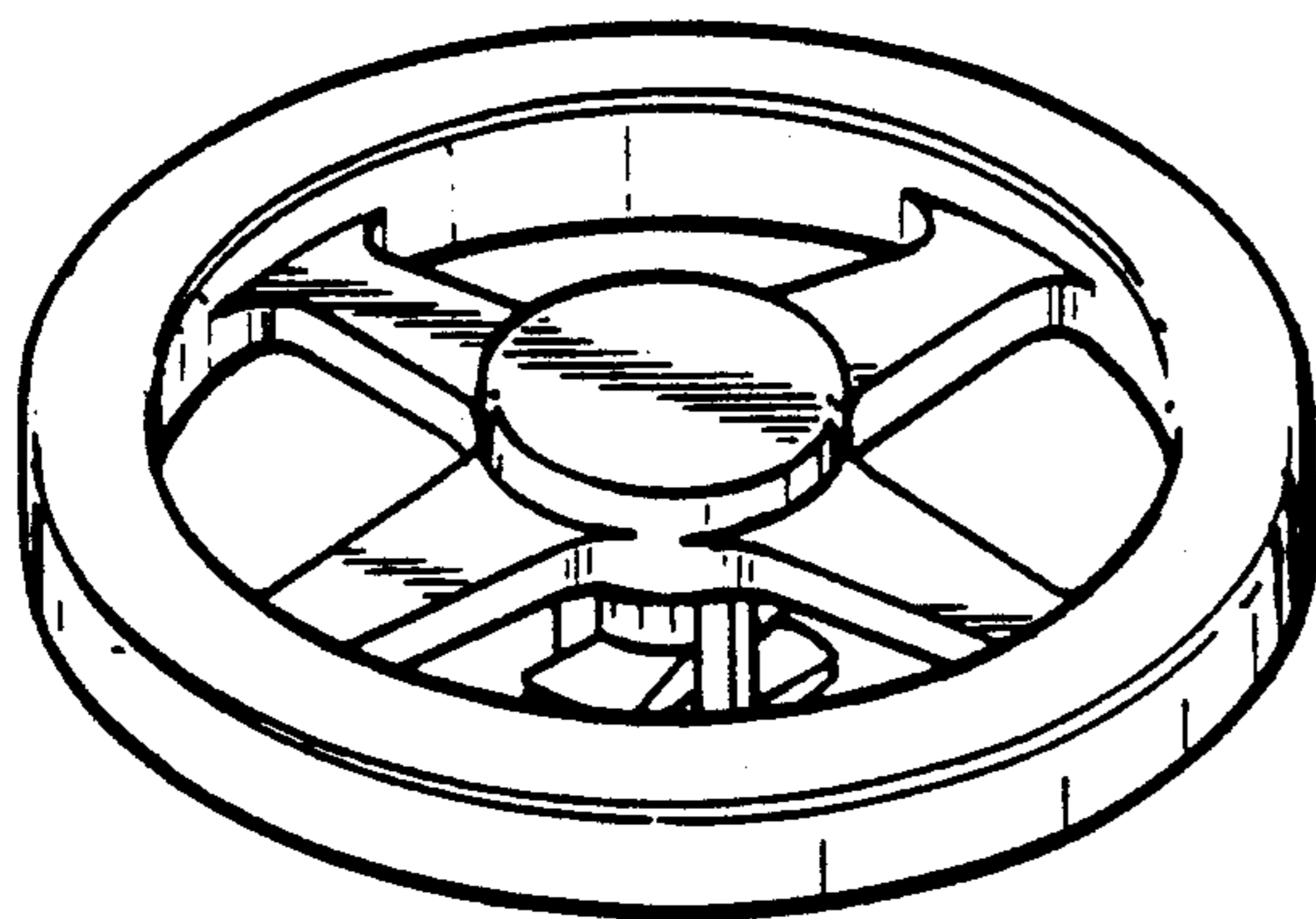


FIG. 1

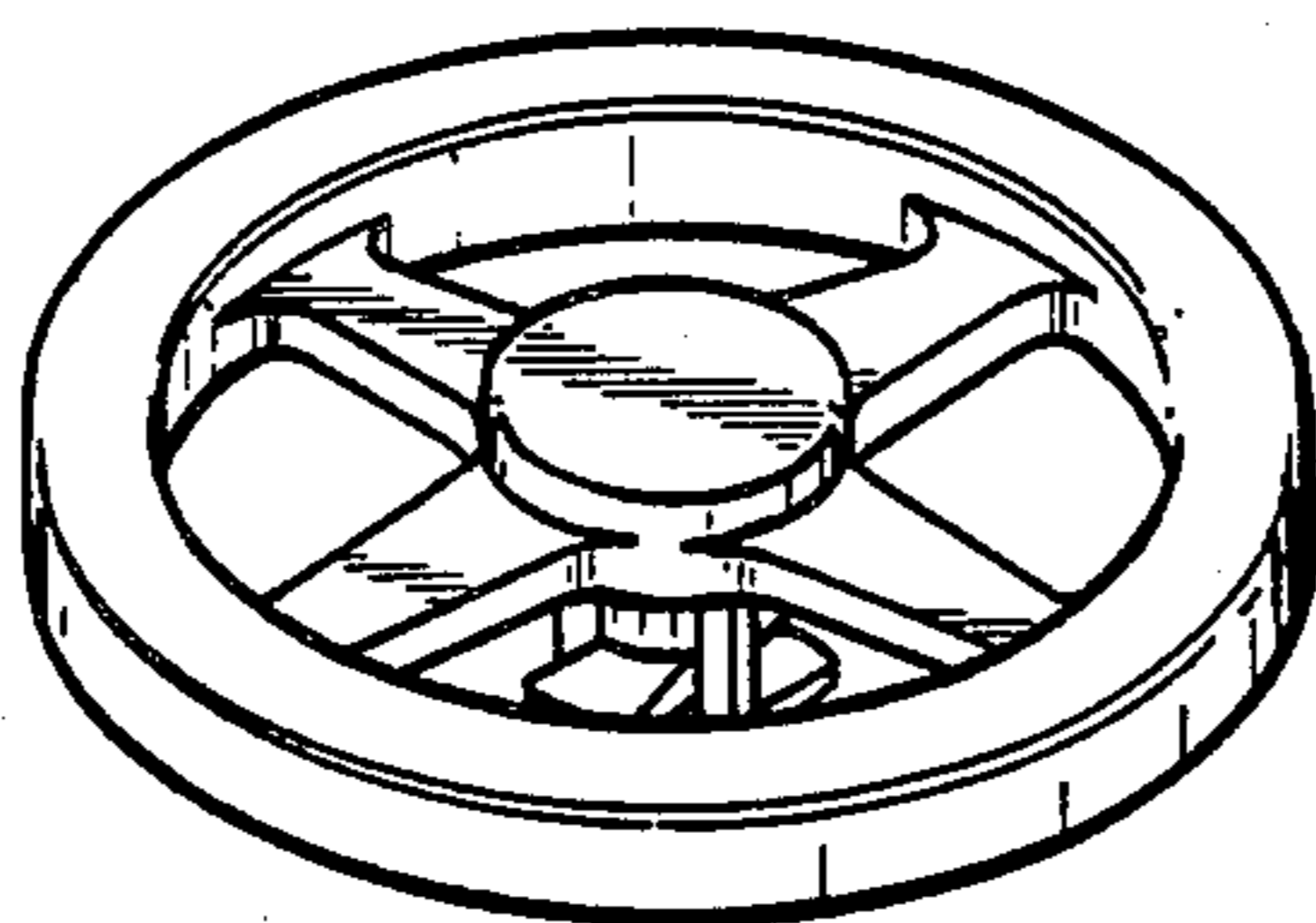


FIG. 2

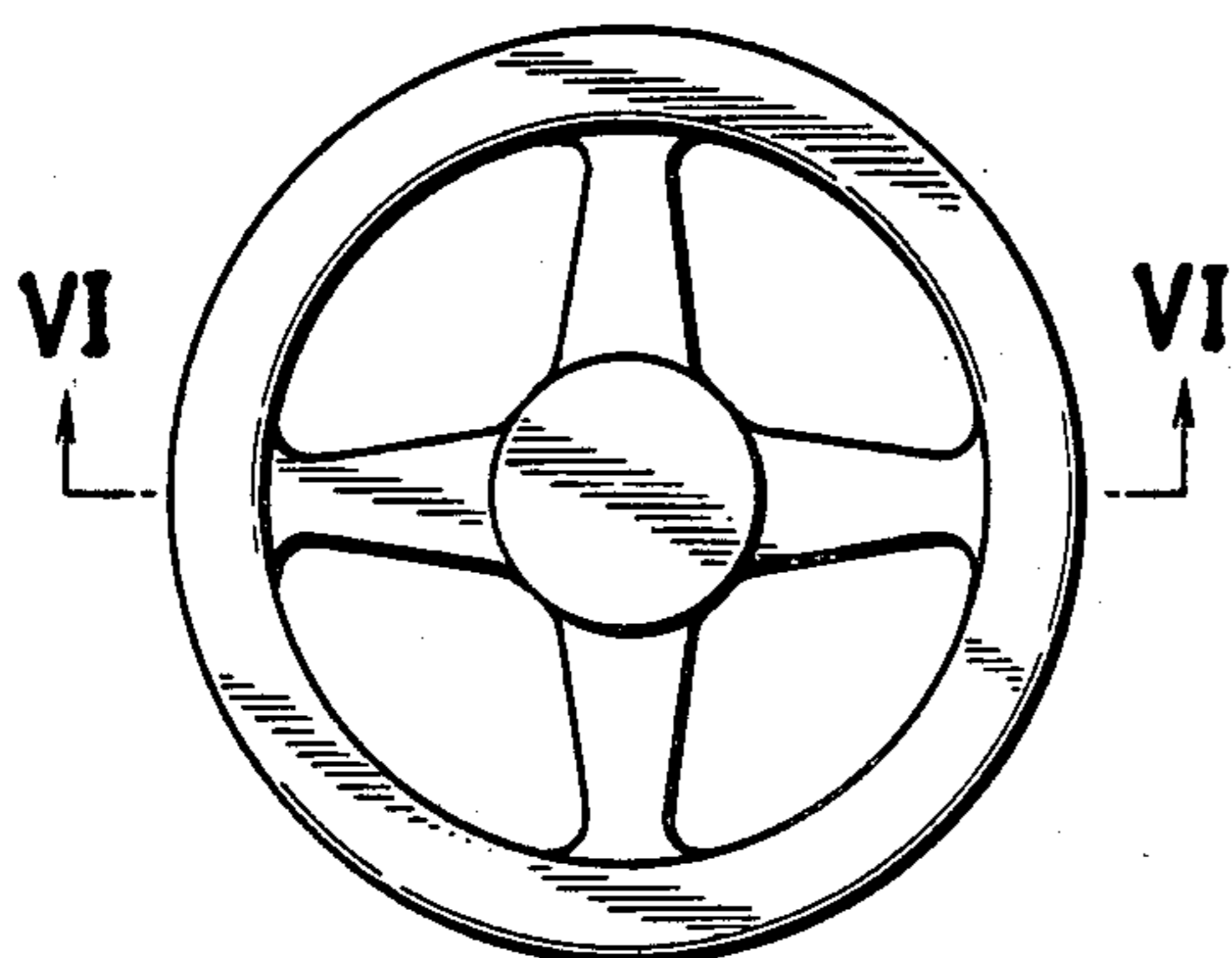


FIG. 3

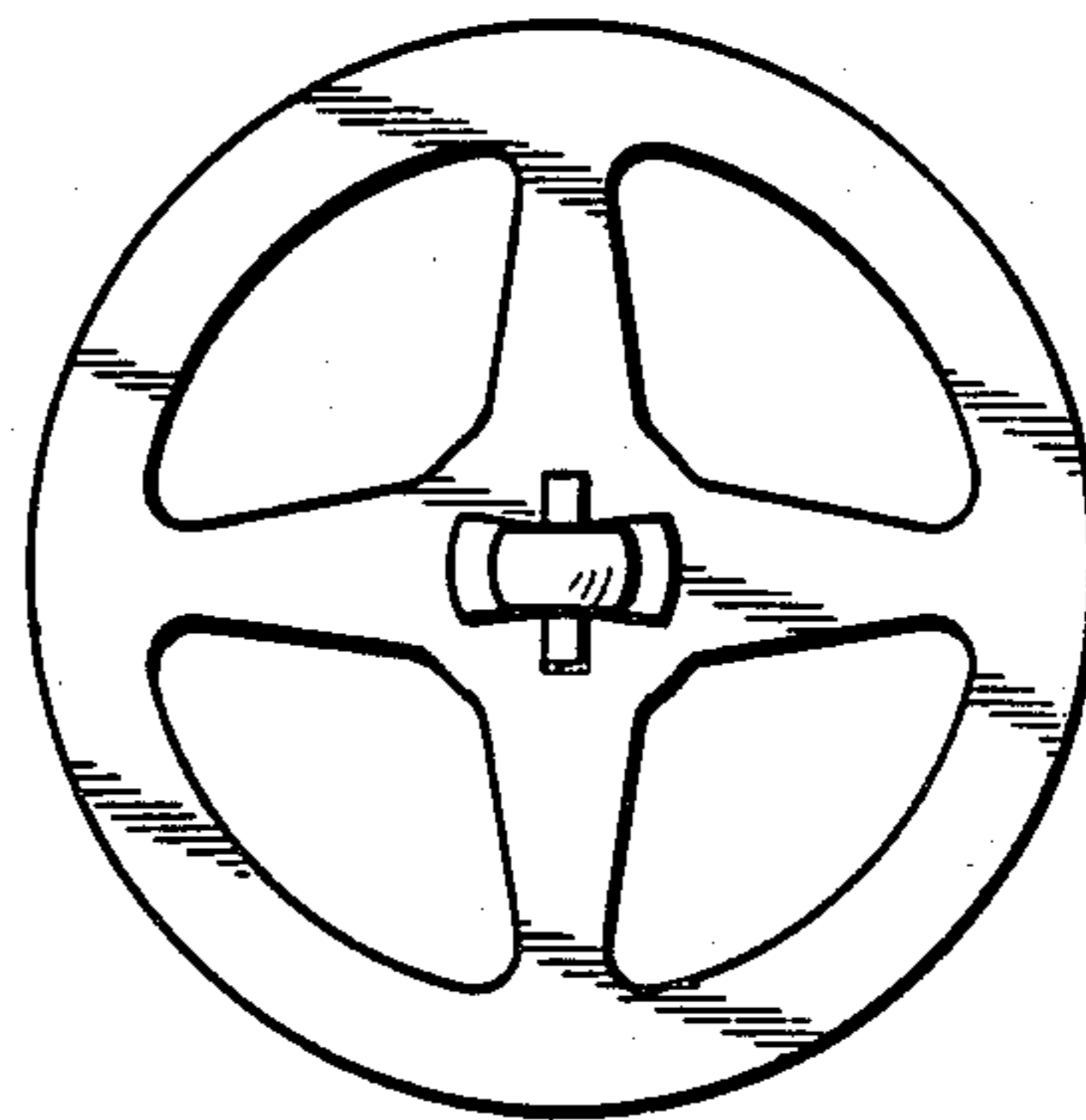


FIG. 4

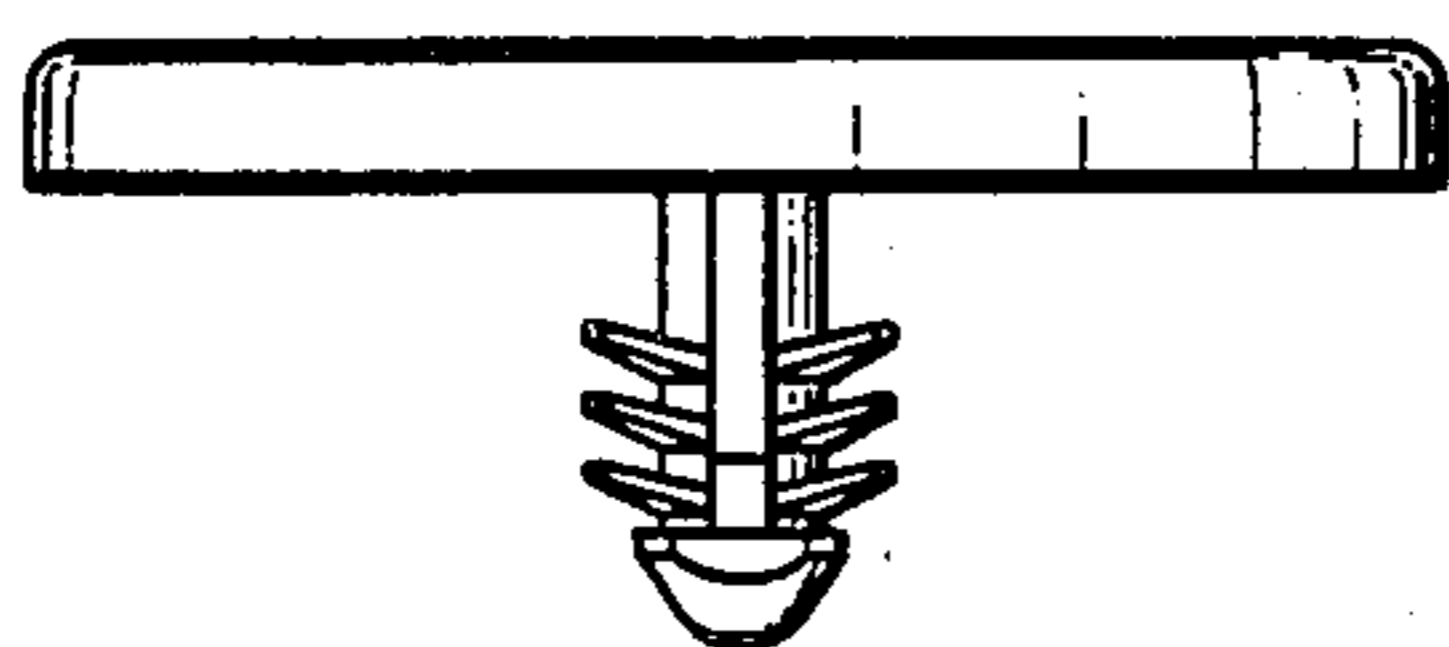


FIG. 5

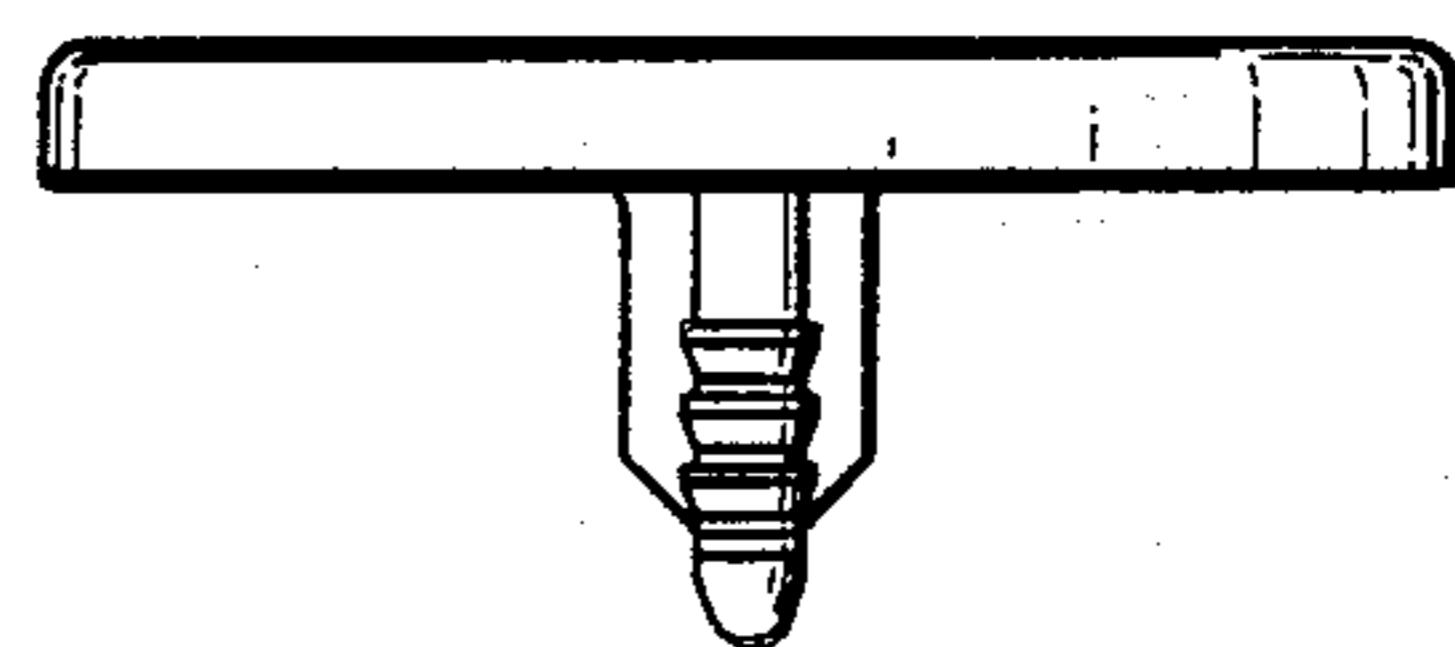


FIG. 6

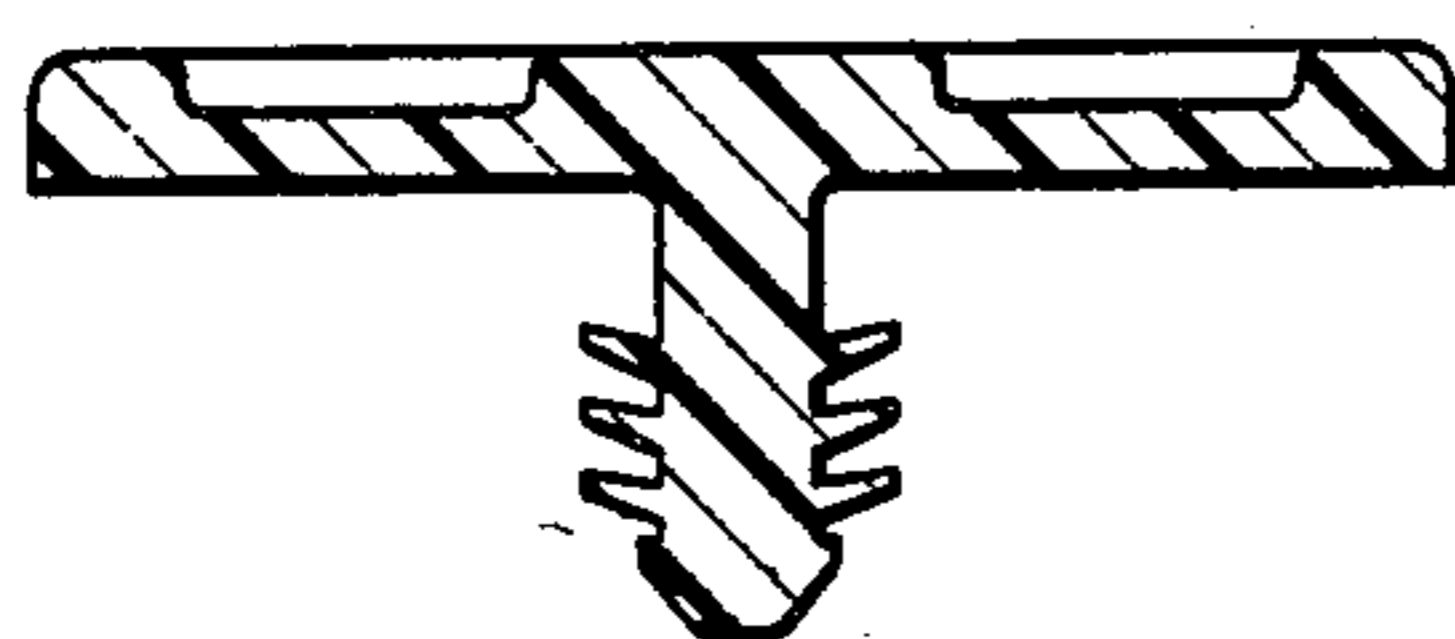


FIG. 7

