

[54] **WINDOW SASH LOCK**

4,095,829 6/1978 Van Klompenburg 292/241

[76] **Inventor: Theodore J. Mandell, 14 Fox Ct.,
Syosset, N.Y. 11791**

Primary Examiner—B. J. Bullock
Assistant Examiner—Brian N. Vinson

[**] **Term: 14 Years**

[57] **CLAIM**

[21] **Appl. No.: 822,534**

The ornamental design for a window sash lock, as shown and described.

[22] **Filed: Jan. 27, 1986**

[52] **U.S. Cl. D8/337**

[58] **Field of Search D8/330-331,
D8/336-338; 70/89-90; 292/111, 240-241**

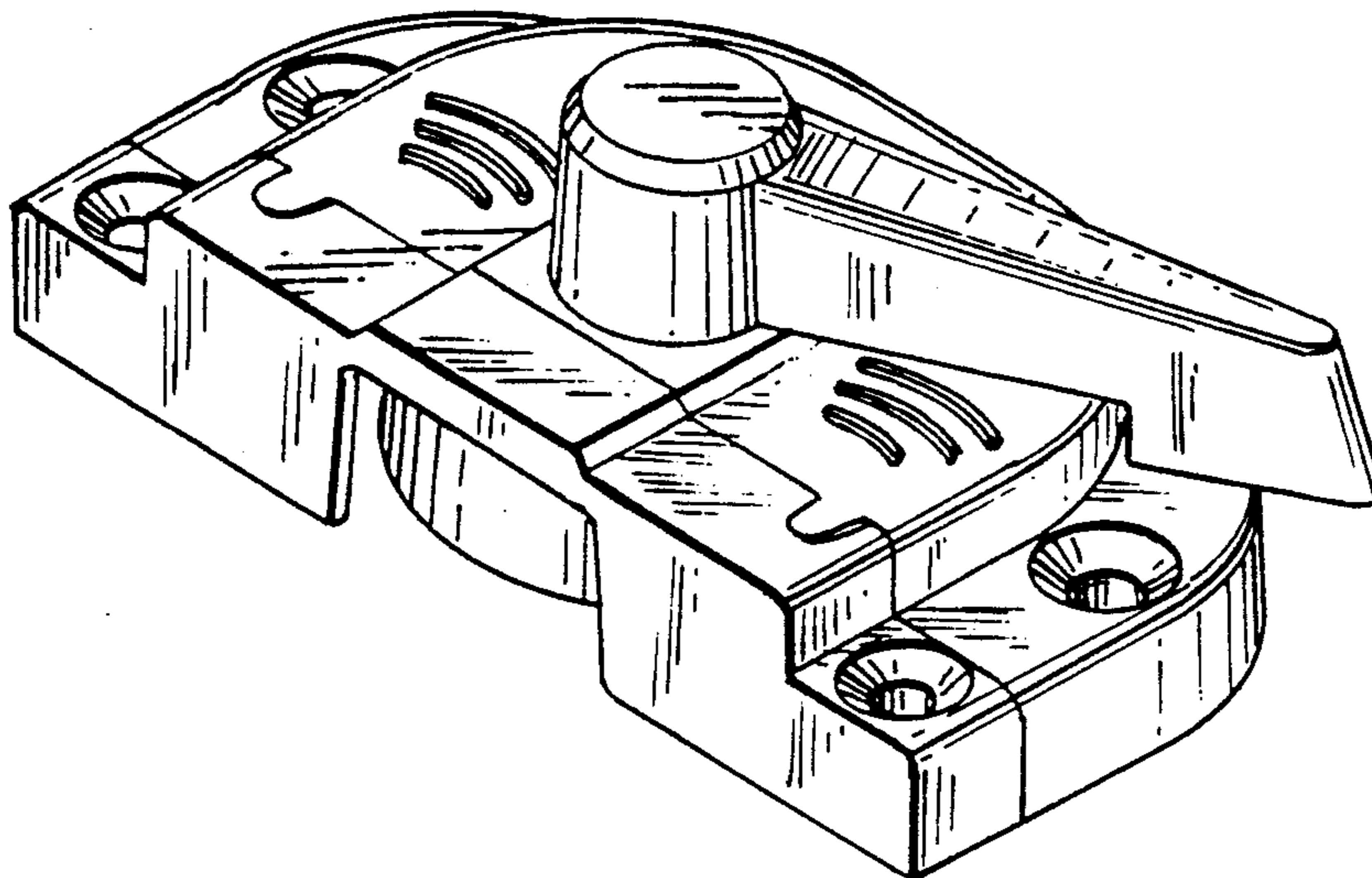
DESCRIPTION

FIG. 1 is a bottom right perspective view of a window sash lock showing my new design;
FIG. 2 is a front elevational view thereof;
FIG. 3 is a bottom plan view thereof;
FIG. 4 is a left side elevational view thereof;
FIG. 5 is a right side elevational view thereof;
FIG. 6 is a top plan view thereof; and
FIG. 7 is a rear elevational view thereof.

[56] **References Cited**

U.S. PATENT DOCUMENTS

D. 268,643 4/1983 Anderson D8/337
2,997,323 8/1961 Riser D8/331 X



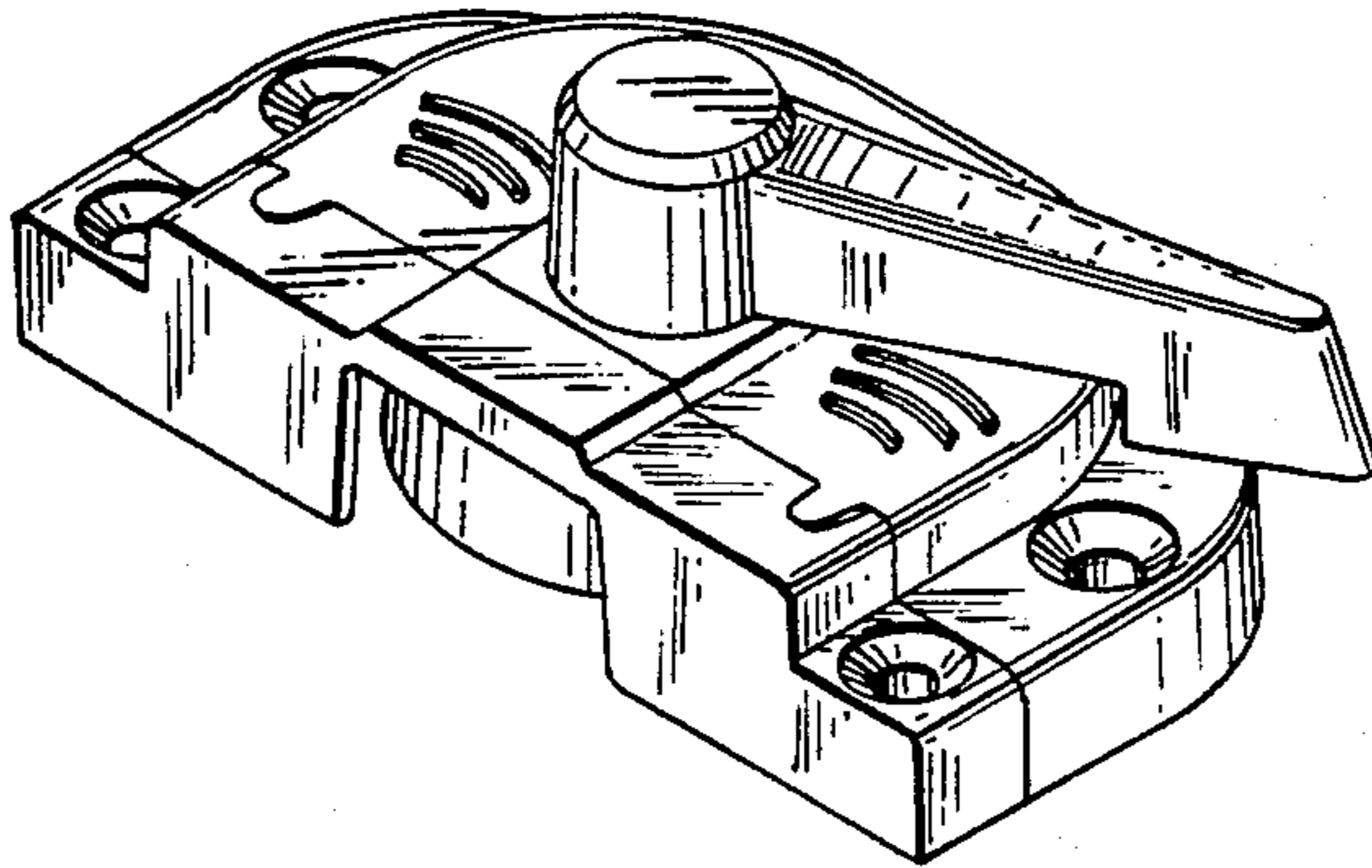


FIG. 1

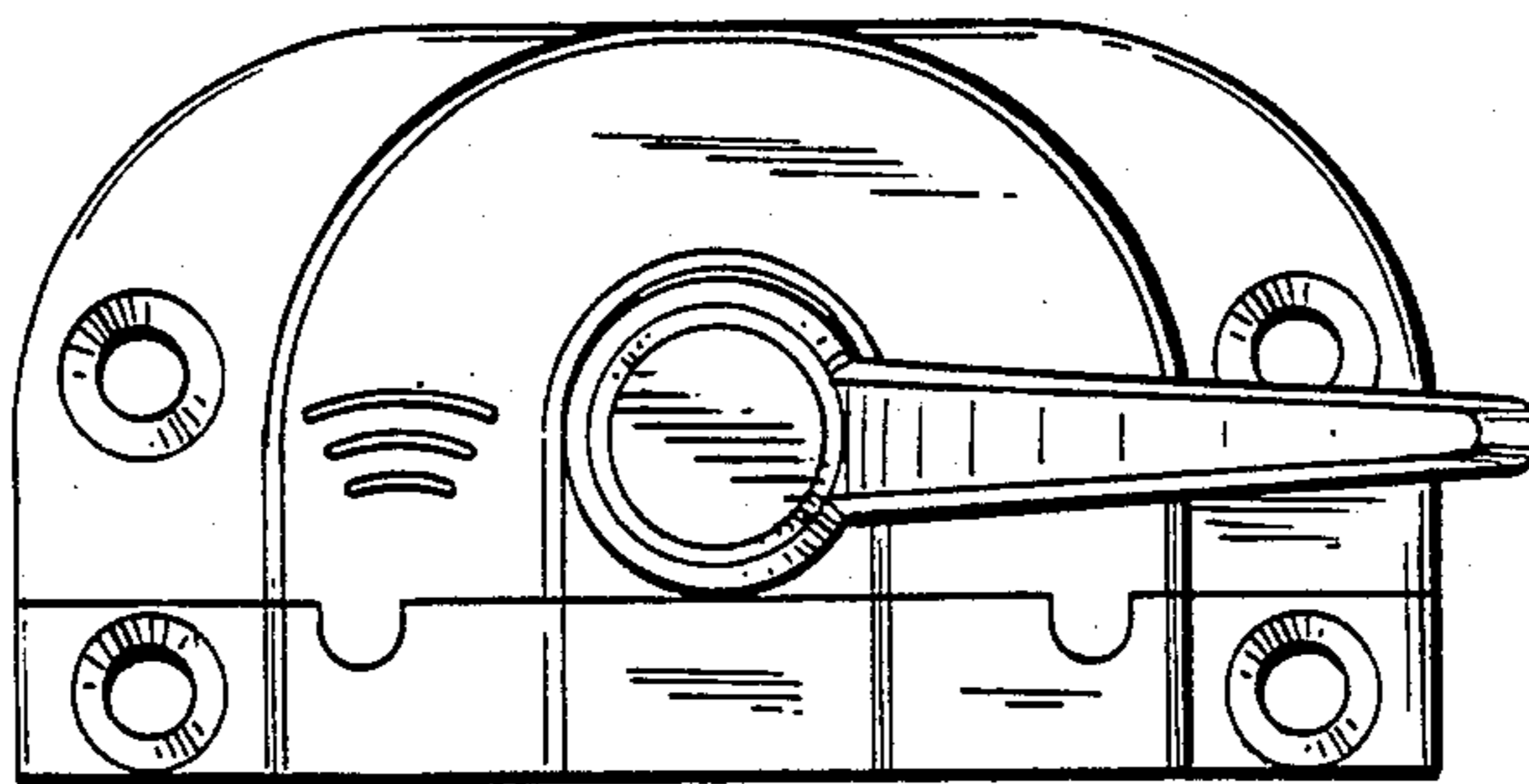


FIG. 2

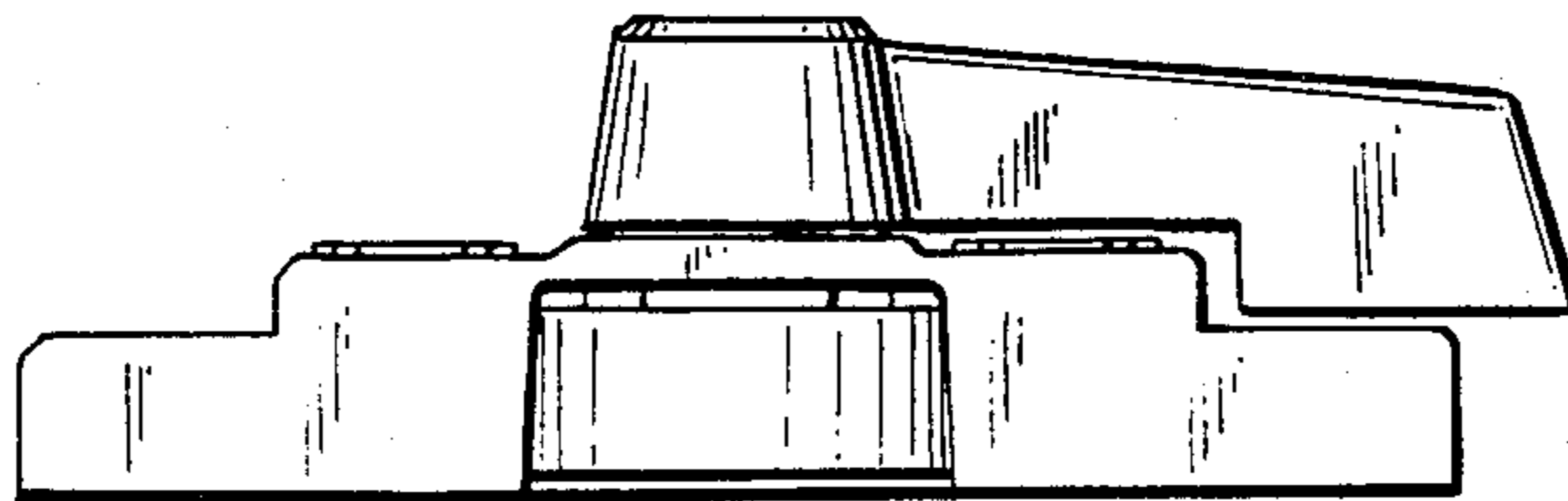


FIG. 3

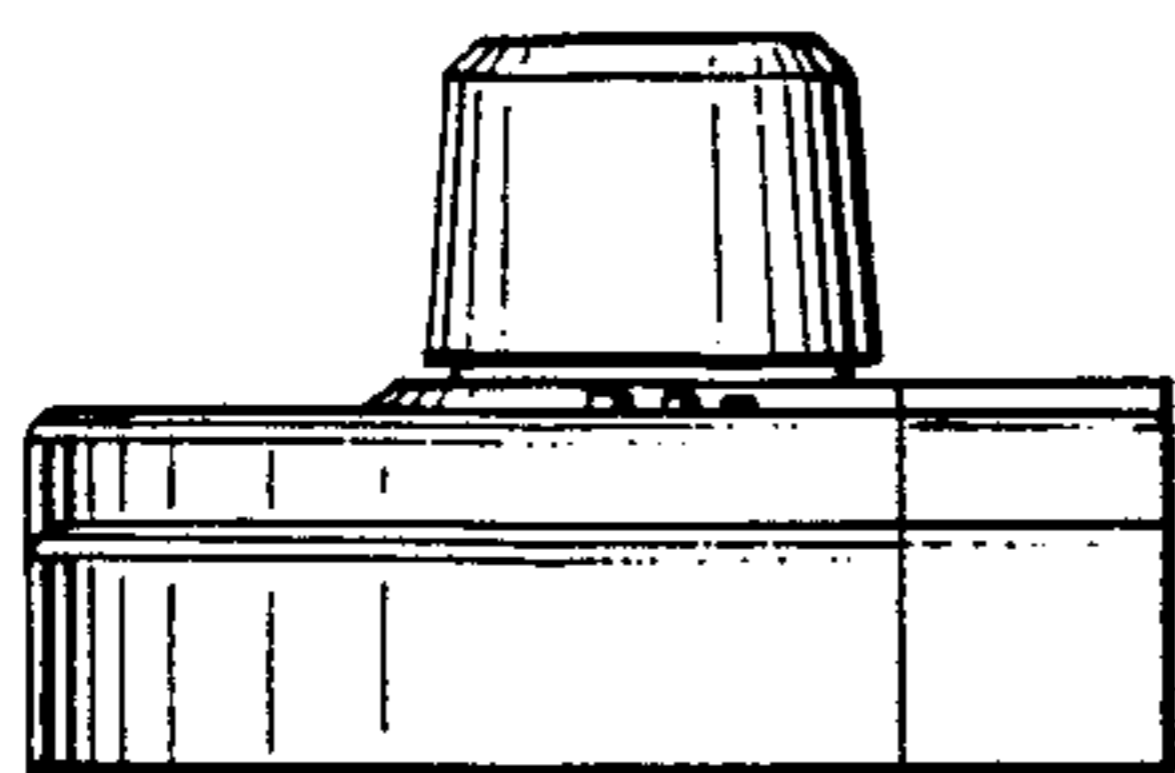


FIG. 4

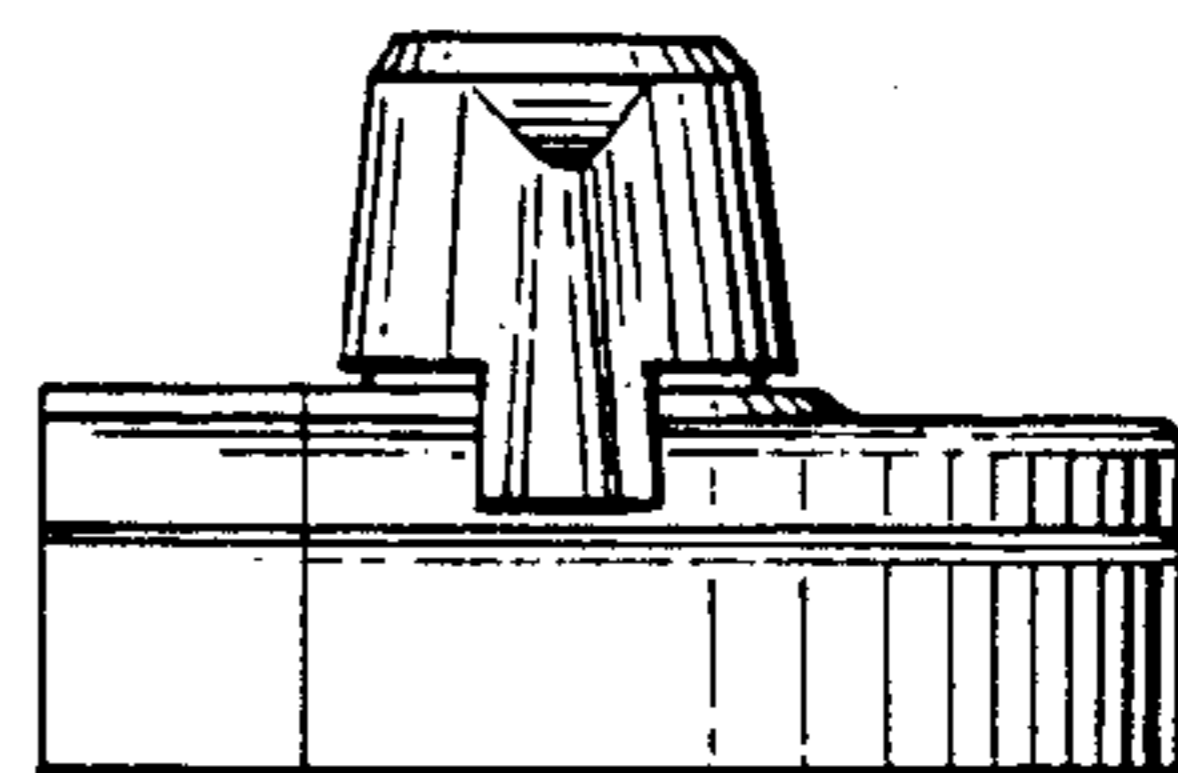


FIG. 5

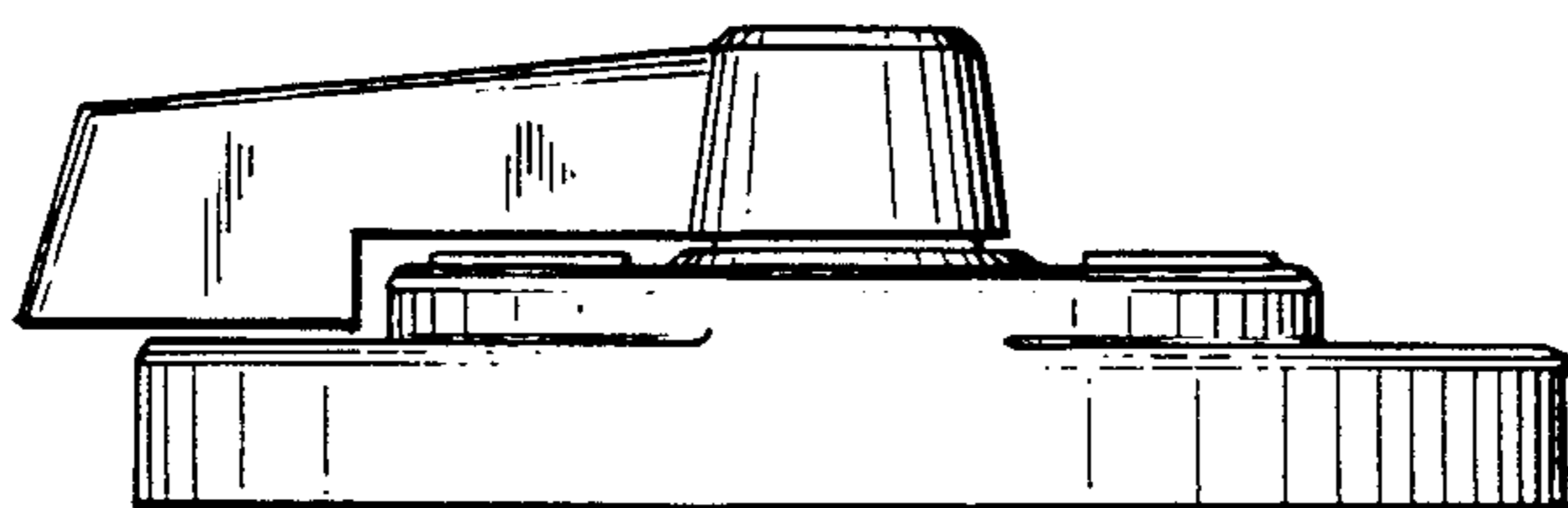


FIG. 6

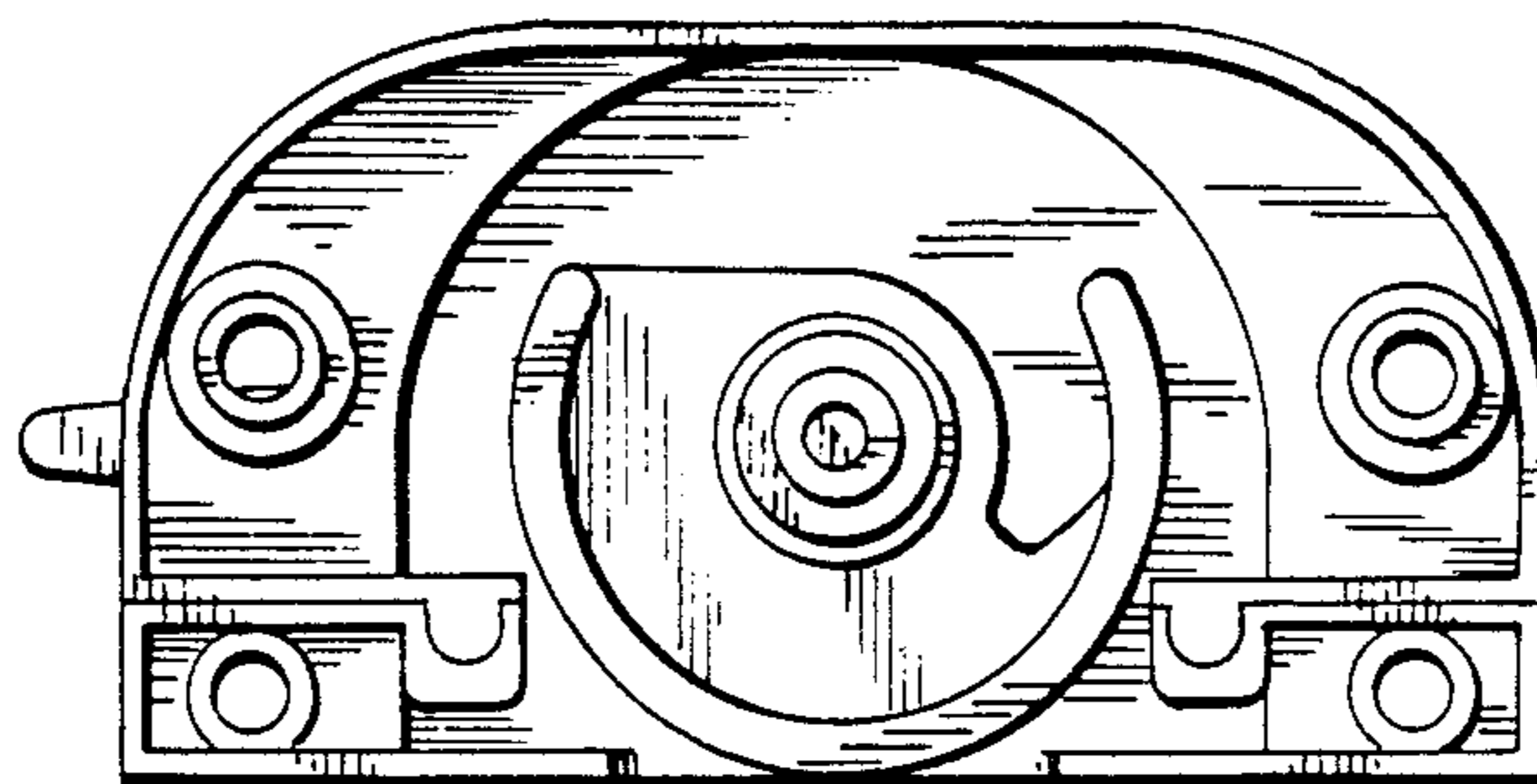


FIG. 7