

[54] PORTABLE ELECTRIC JIG SAW

[75] Inventors: Masakazu Sakamoto; Toshiaki Saito, both of Tokyo, Japan

[73] Assignee: Ryobi Ltd., Hiroshima, Japan

[**] Term: 14 Years

[21] Appl. No.: 932,905

[22] Filed: Nov. 19, 1986

[30] Foreign Application Priority Data

Jul. 30, 1986 [JP] Japan 61-30081

[52] U.S. Cl. D8/64

[58] Field of Search D8/61, 64; 30/272 A, 30/273, 392-394, DIG. 1

[56] References Cited

U.S. PATENT DOCUMENTS

D. 197,549 2/1964 Johnson D8/64
3,770,331 11/1973 Sellers et al. 310/50 X

OTHER PUBLICATIONS

Black & Decker Industrial/Construction Division catalogue, 1982, p. 33 Jig Saw.

Primary Examiner—Wallace R. Burke
Assistant Examiner—Brian N. Vinson
Attorney, Agent, or Firm—Sughrue, Mion, Zinn, Macpeak, and Seas

[57] CLAIM

The ornamental design for a portable electric jig saw, as shown.

DESCRIPTION

FIG. 1 is a left side elevational view of a portable electric jig saw showing our new design; FIG. 2 is a right side elevational view thereof; FIG. 3 is a top plan view thereof; FIG. 4 is a bottom plan view thereof; FIG. 5 is a front elevational view thereof; and FIG. 6 is a rear elevational view thereof.

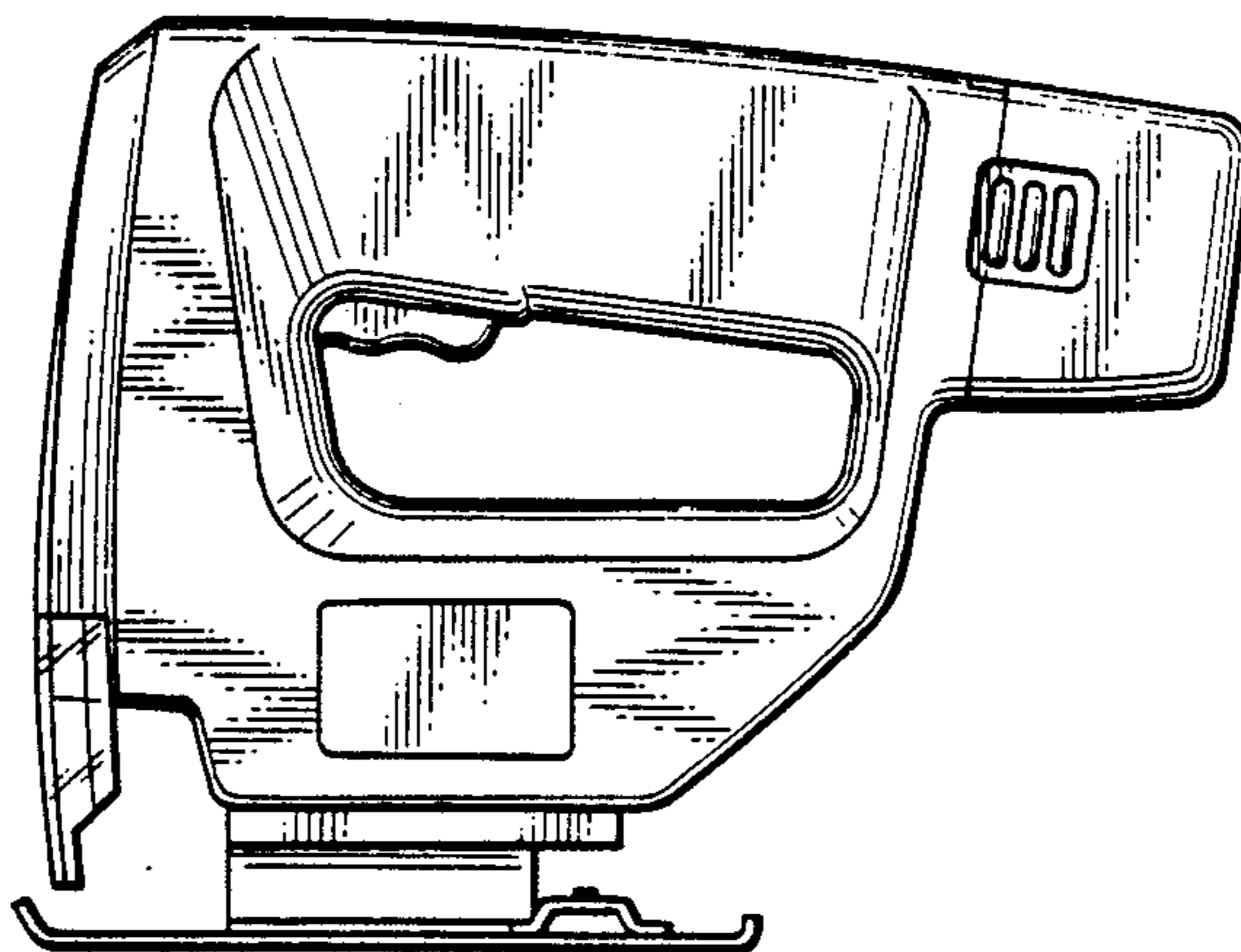


Fig. 1

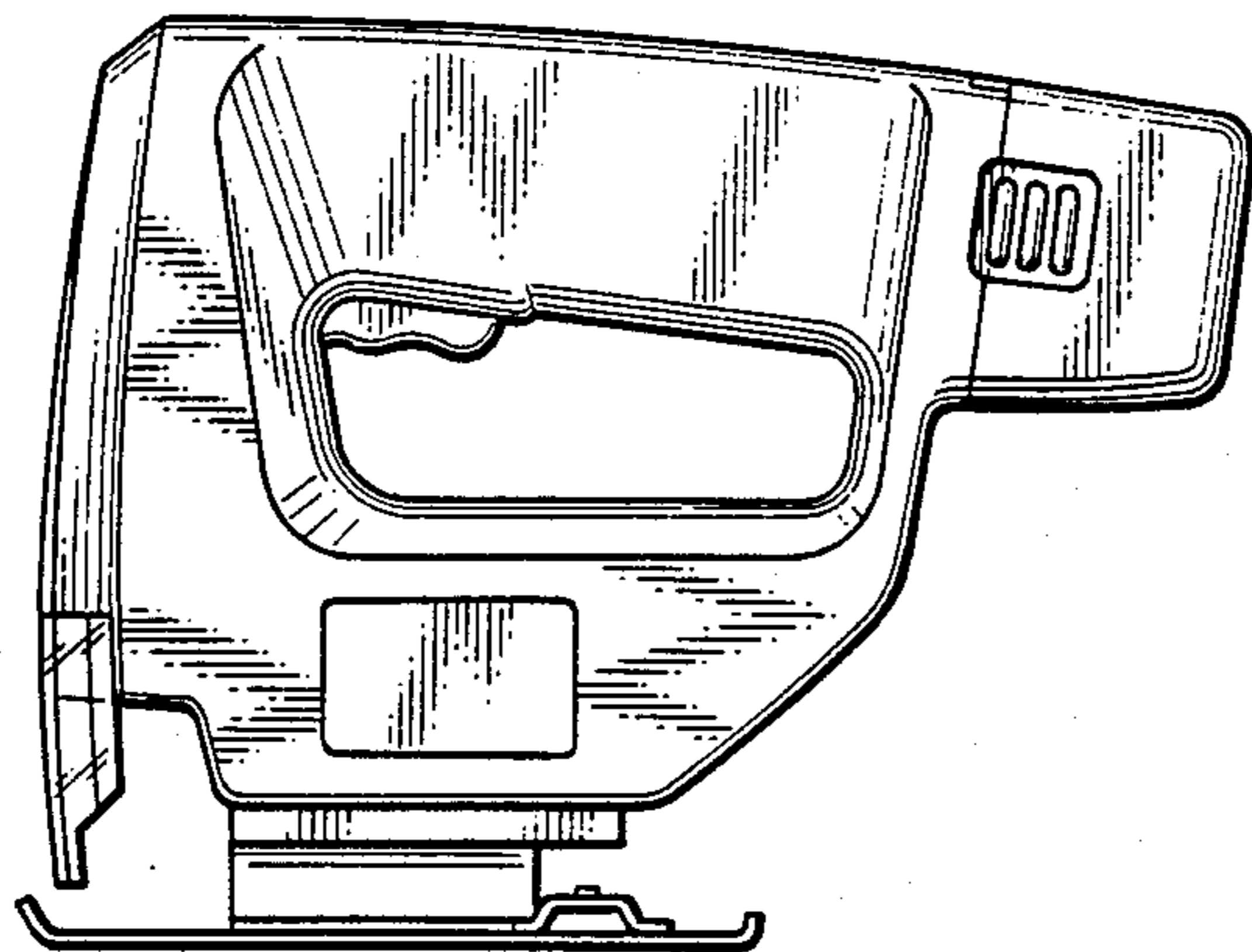


Fig. 2

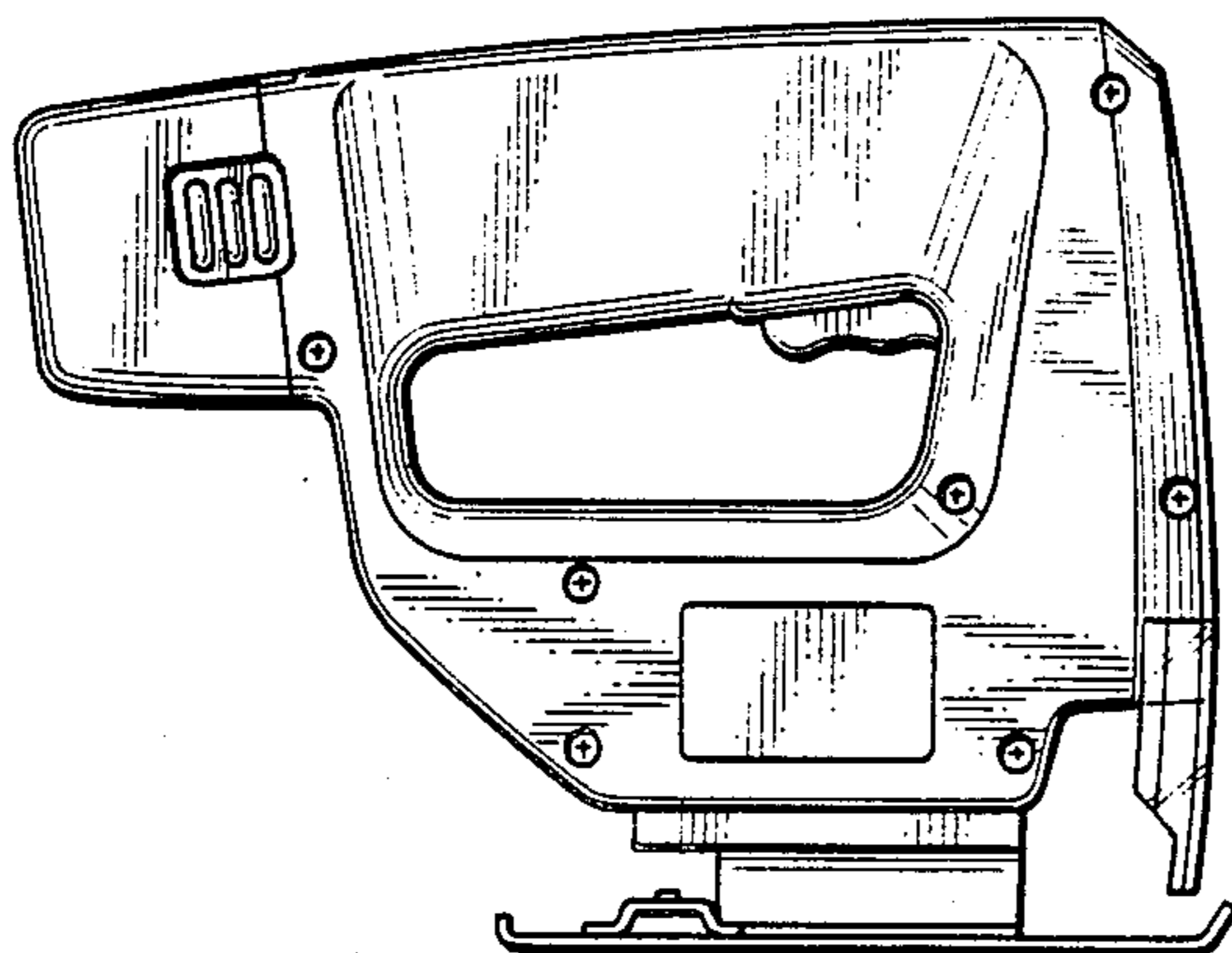


Fig. 3

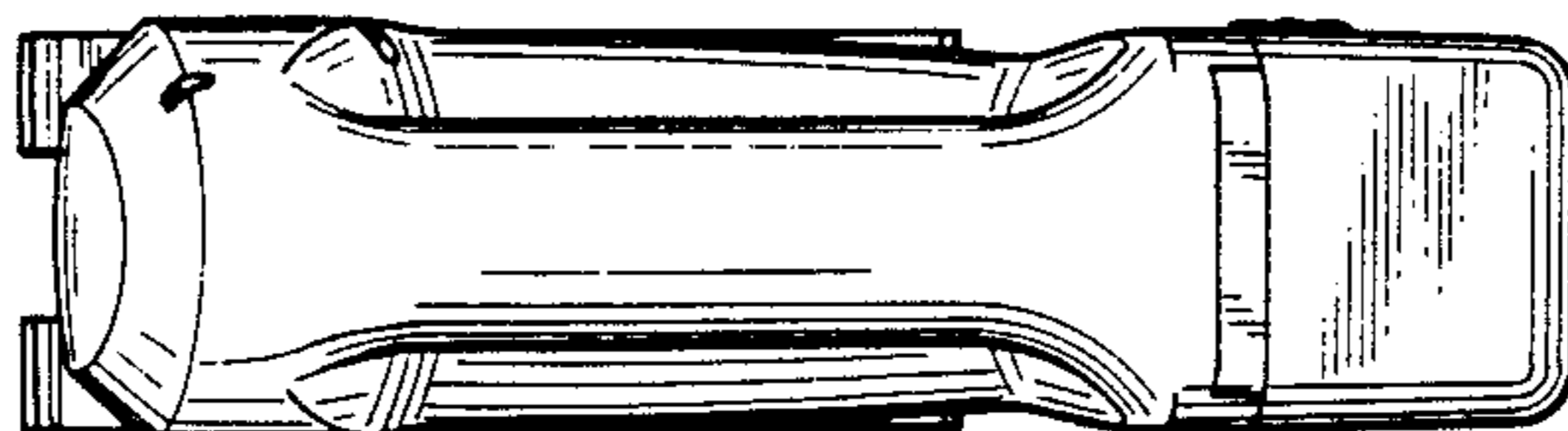


Fig. 4

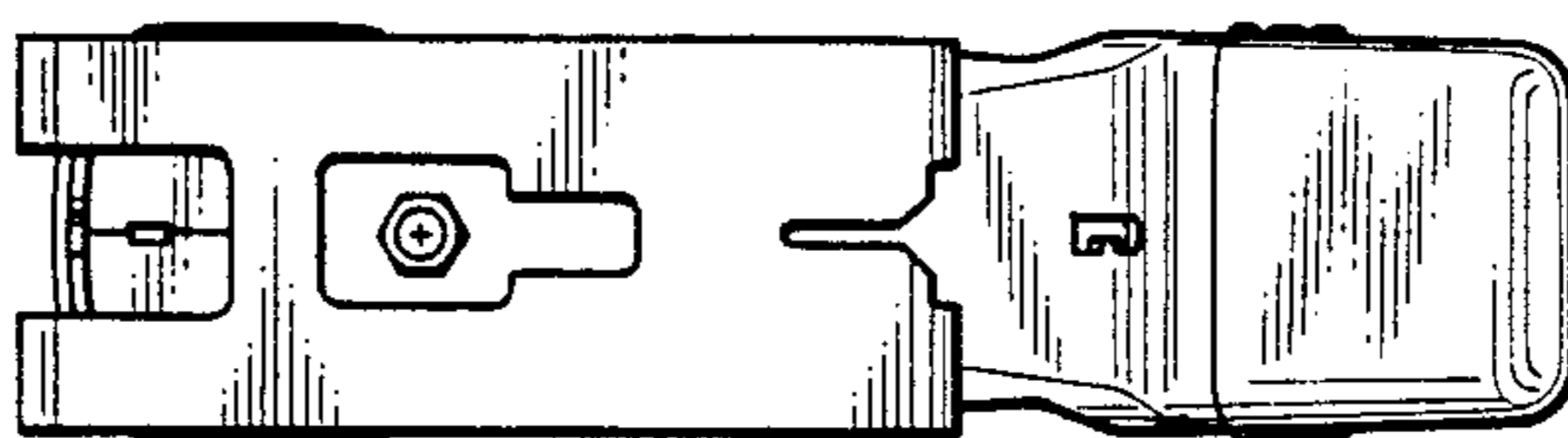


Fig. 5

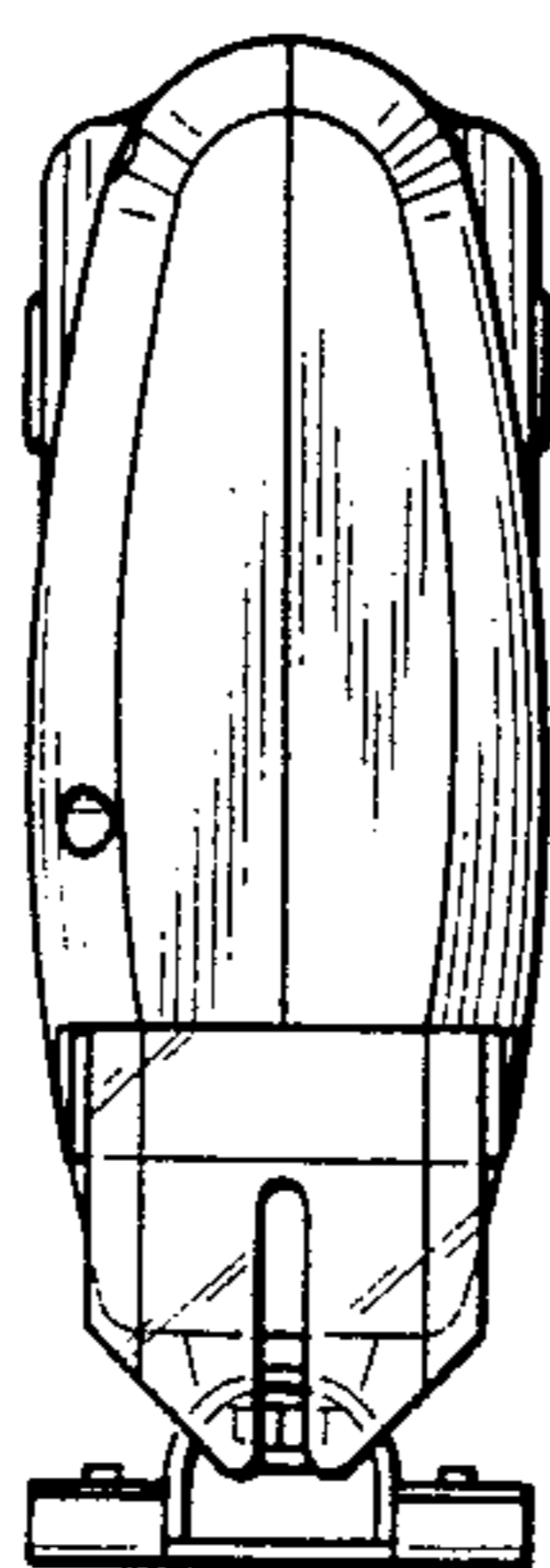


Fig. 6

