

[54] **CAN-OPENER**

[75] **Inventor:** William A. Cooper, Uckfield,
England

[73] **Assignee:** Mitchell & Cooper Limited, Sussex,
England

[**] **Term:** 14 Years

[21] **Appl. No.:** 804,003

[22] **Filed:** Nov. 8, 1985

Related U.S. Application Data

[63] Continuation-in-part of Ser. No. 461,127, Jan. 26, 1983,
abandoned.

[52] **U.S. Cl.** D8/33

[58] **Field of Search** D8/18, 33, 34, 37;
81/3.25, 3.31, 3.32, 3.27, 3.36, 3.37, 3.39

[56] **References Cited**

U.S. PATENT DOCUMENTS

531,670 1/1895 Williams 81/3.33
1,618,457 2/1927 McGrath 81/3.32
4,227,473 10/1980 Young D8/33 X

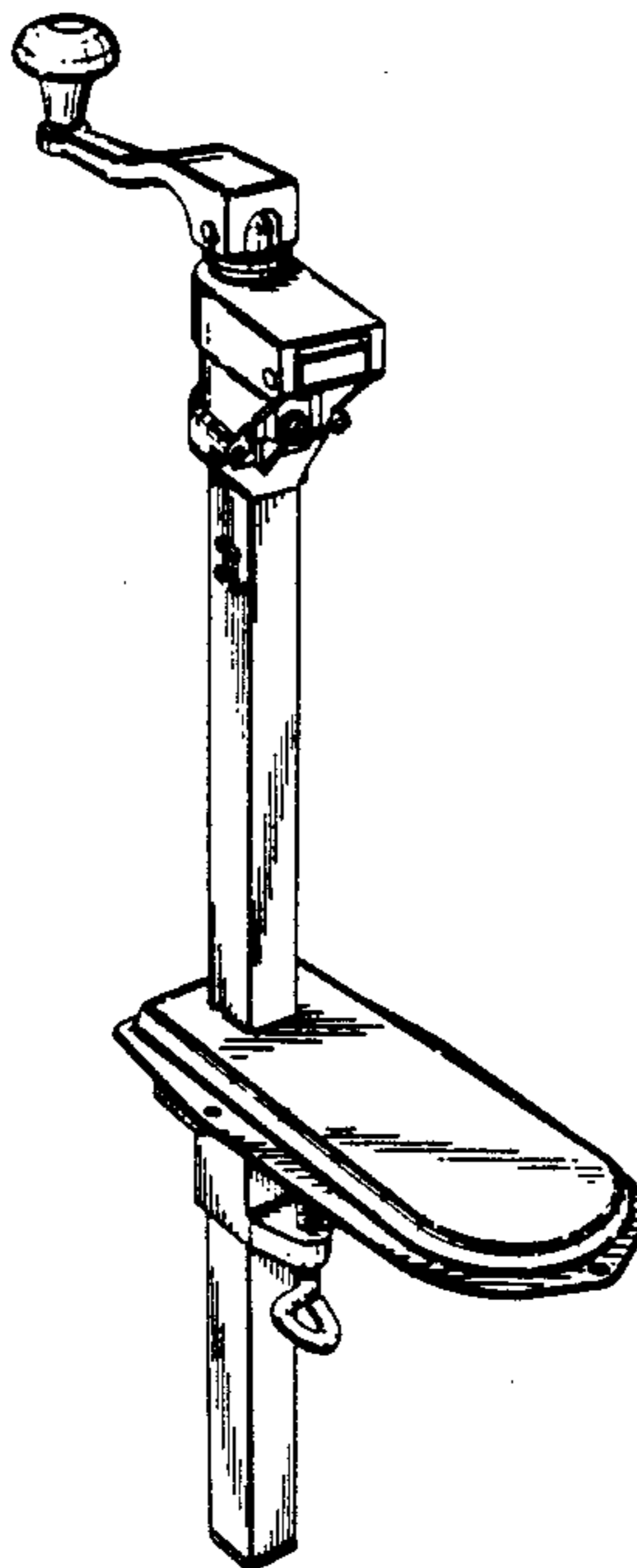
Primary Examiner—Bernard Ansher
Assistant Examiner—Terry Pfeffer
Attorney, Agent, or Firm—Roylance, Abrams, Berdo &
Goodman

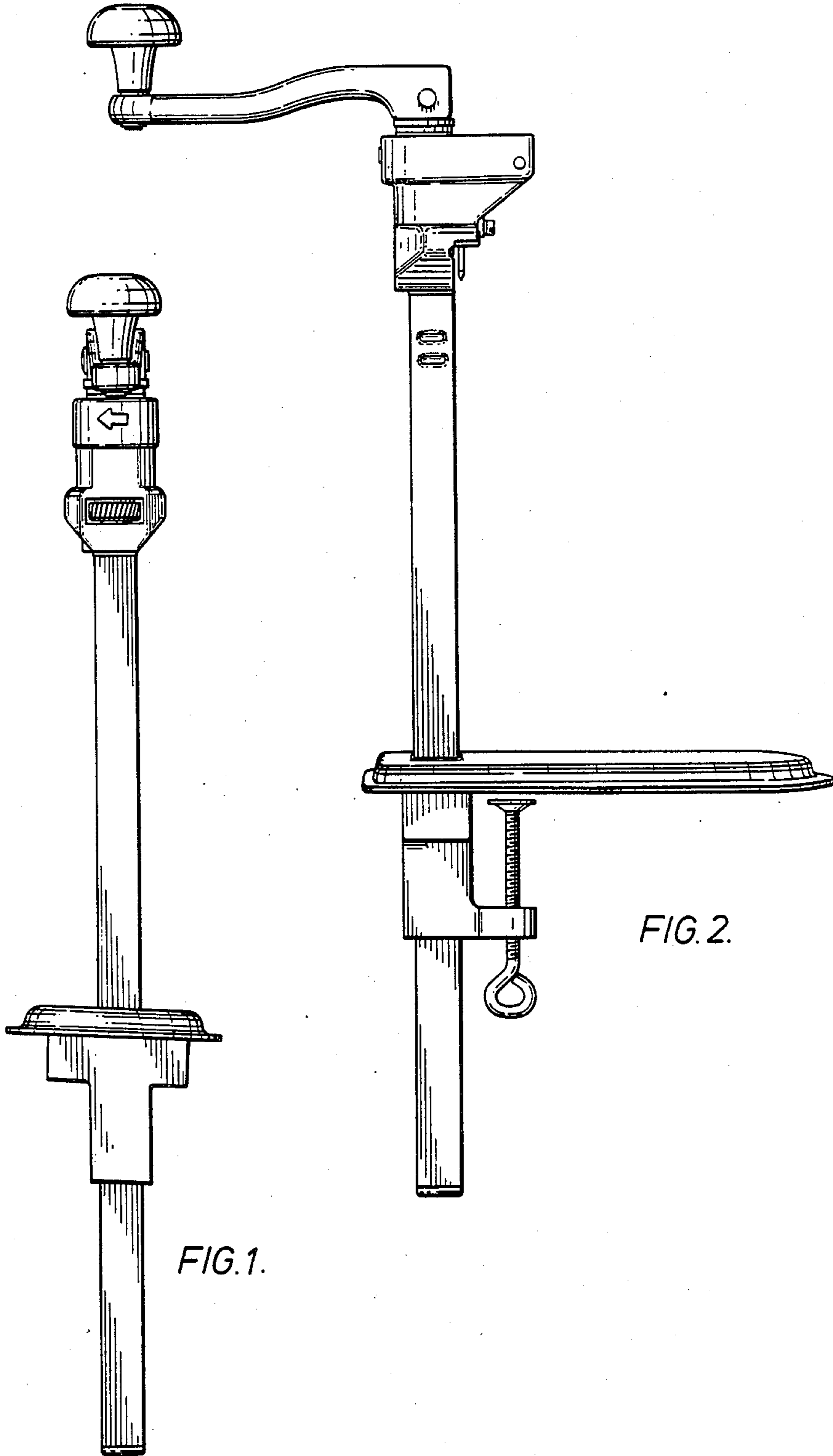
[57] **CLAIM**

The ornamental design for a can-opener, as shown and described.

DESCRIPTION

FIG. 1 is a front elevational view of a can-opener showing my new design;
FIG. 2 is a right side elevational view thereof, the opposite side being a mirror image;
FIG. 3 is a top, rear, right side perspective view thereof; and
FIG. 4 is a bottom, front, right side perspective view thereof.





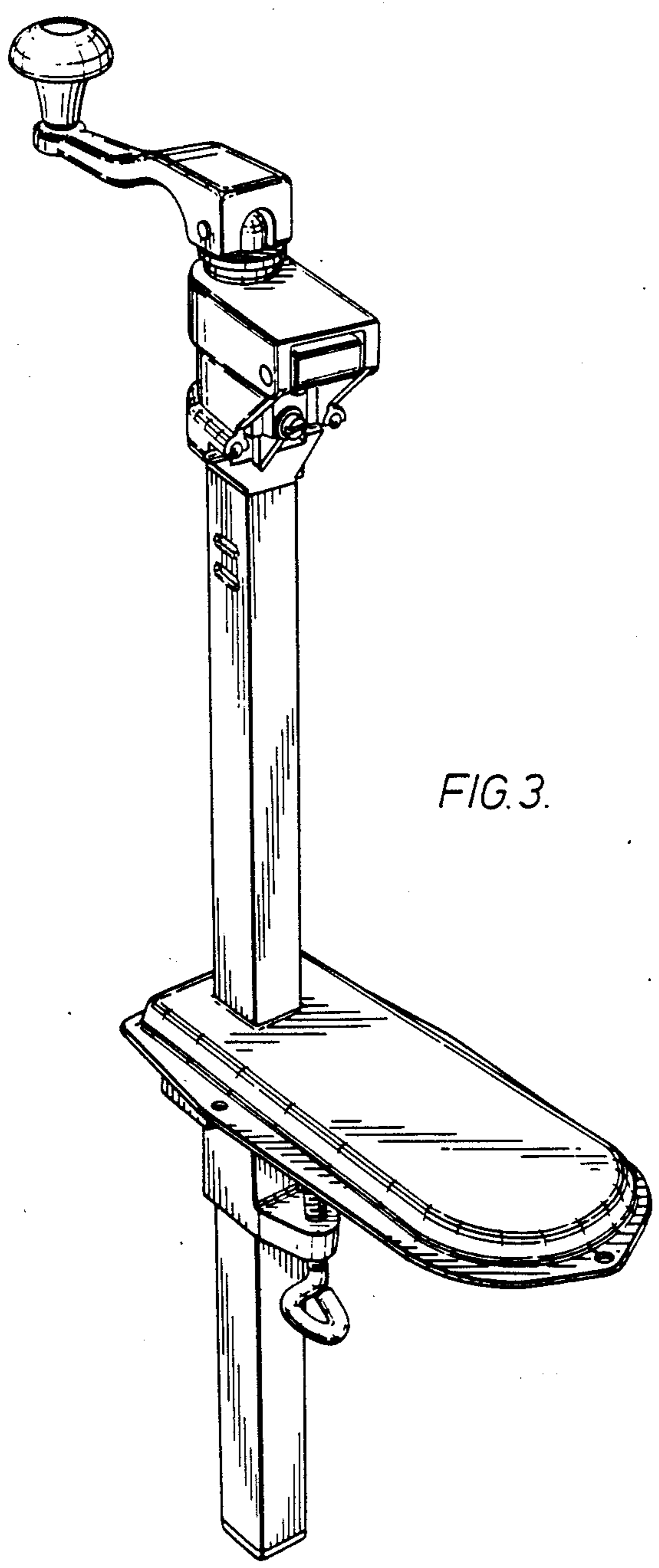


FIG. 3.

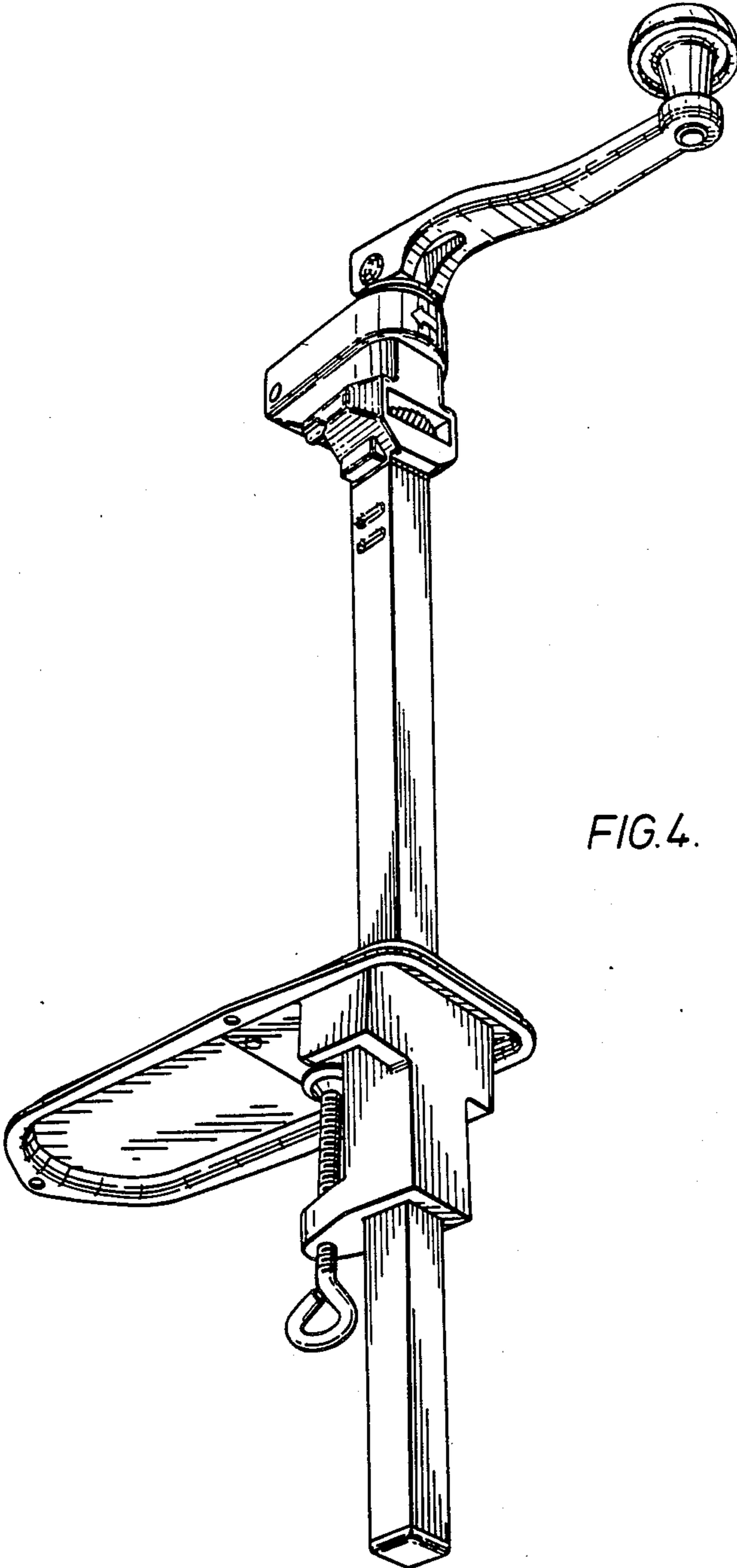


FIG. 4.