

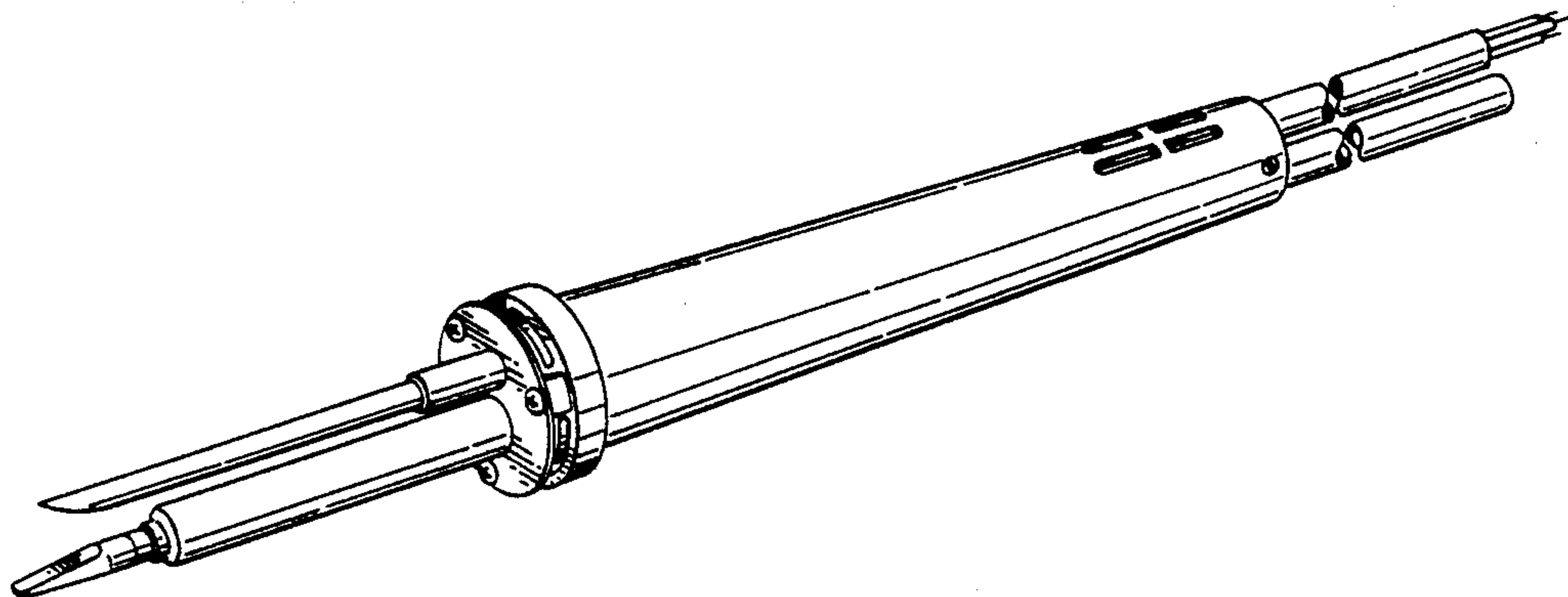
- [54] **FUME EXTRACTING SOLDERING IRON**
- [75] **Inventor: Neil J. Borley, Wallington, England**
- [73] **Assignee: Adcola Products Limited, London, England**
- [**] **Term: 14 Years**
- [21] **Appl. No.: 780,179**
- [22] **Filed: Sep. 26, 1985**
- [30] **Foreign Application Priority Data**
 - Jul. 12, 1985 [CA] Canada 12-07-85-6
- [52] **U.S. Cl. D8/30**
- [58] **Field of Search D8/30, 61, 68, 70; 219/69 R, 74-75, 76.16, 86.21, 121 PQ, 134, 227, 229, 233, 236-238**

- [56] **References Cited**
 - U.S. PATENT DOCUMENTS**
 - D. 209,905 1/1968 Baxendell D8/30
 - 4,358,662 11/1982 Cranor et al. 219/74 X
 - 4,607,151 8/1986 Kihlstrom 219/236 X

Primary Examiner—Wallace R. Burke
Assistant Examiner—Brian N. Vinson
Attorney, Agent, or Firm—Moss, Hammond

[57] **CLAIM**
The ornamental design for a fume extracting soldering iron, as shown and described.

DESCRIPTION
FIG. 1 is a top, front and right side perspective view of a fume extracting soldering iron showing my new design; and,
FIG. 2 is a bottom, rear and left side perspective view thereof.
The tubing elements entering the rear portion are shown broken-away to indicate indeterminate length.



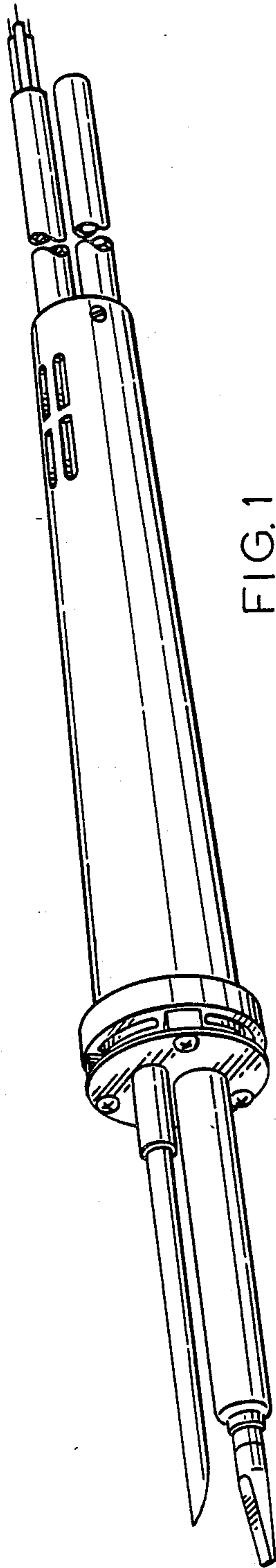


FIG. 1

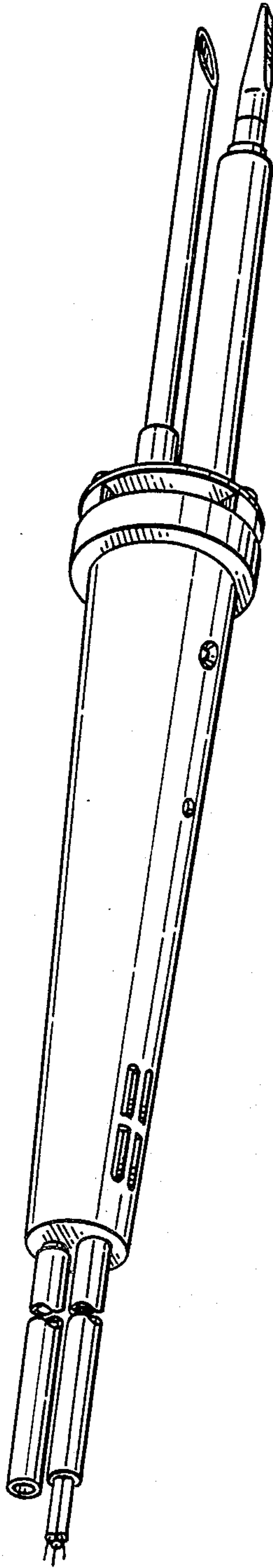


FIG. 2