

[54] PORTABLE RECEPTACLE

[76] Inventor: Alan J. Corbett, 3175 Cauby St., #110, San Diego, Calif. 92110

[**] Term: 14 Years

[21] Appl. No.: 771,257

[22] Filed: Aug. 30, 1985

[52] U.S. Cl. D7/70

[58] Field of Search D7/70, 71, 45; 211/75, 211/71, 74, 88; 248/311.2; 229/1.5 H, 1.5 R, DIG. 6, DIG. 7

[56] References Cited

U.S. PATENT DOCUMENTS

D. 226,623	4/1973	Shuford .	
3,698,675	10/1972	Lerew et al.	211/75 X
4,606,523	8/1986	Katz et al.	211/74 X

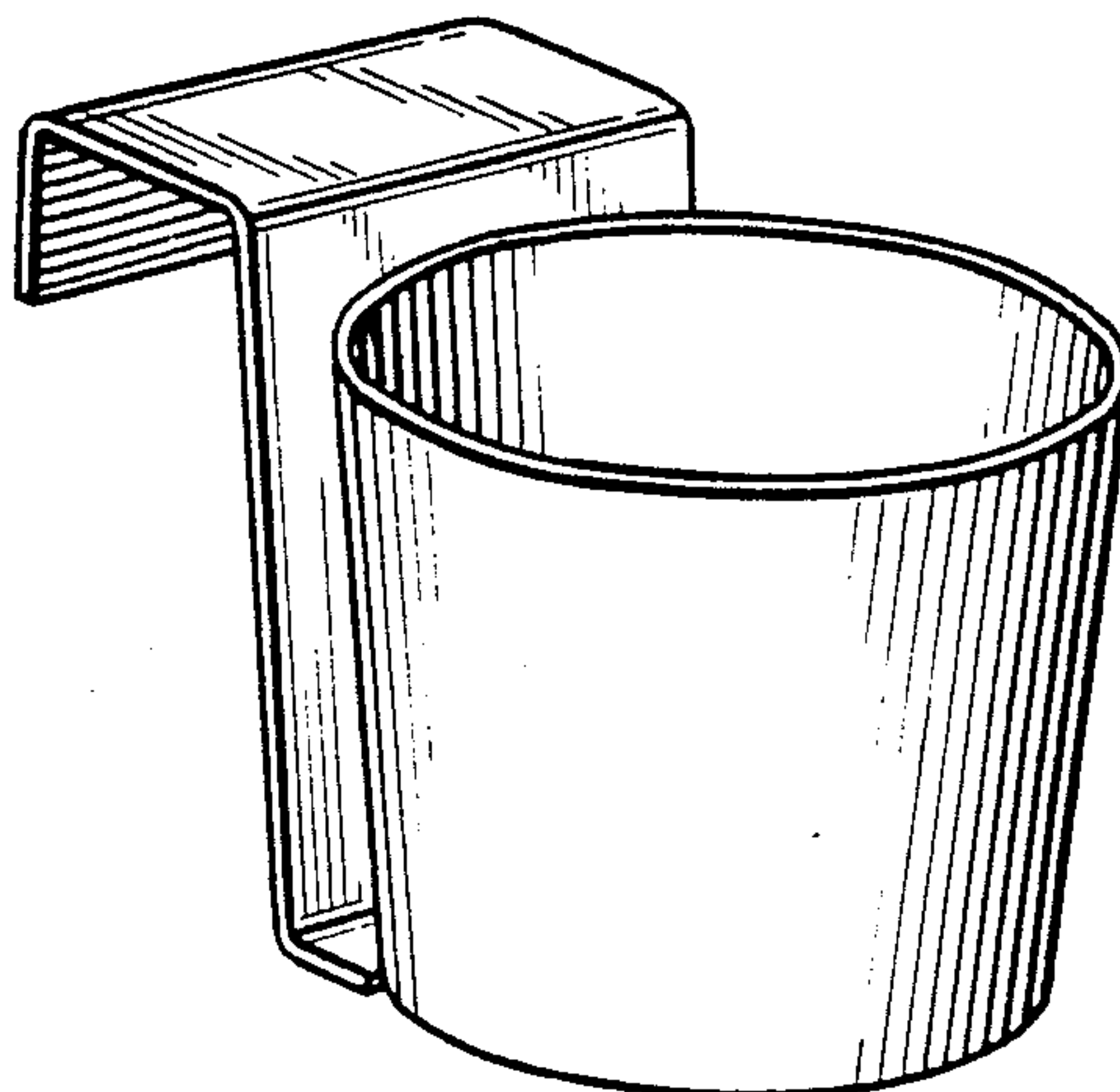
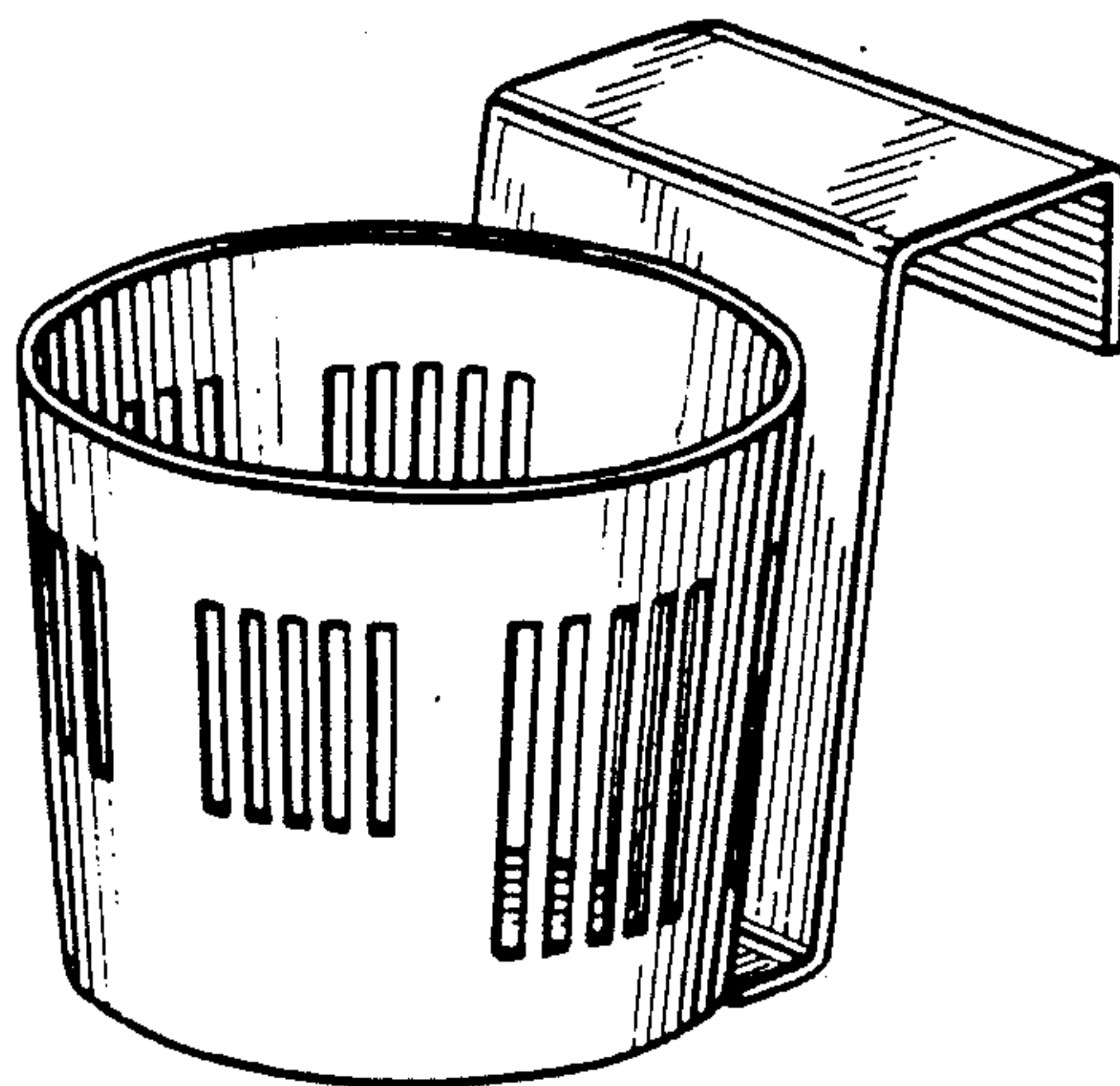
Primary Examiner—Bruce W. Dunkins
Assistant Examiner—Terry Pfeffer
Attorney, Agent, or Firm—Knobbe, Martens, Olson & Bear

[57] CLAIM

The ornamental design for my portable receptacle, as shown and described.

DESCRIPTION

FIG. 1 is a perspective view of a portable receptacle showing my new design;
FIG. 2 is a top plan view thereof;
FIG. 3 is a left side elevational view thereof which is a mirror image of the right side elevational view;
FIG. 4 is a front elevational view thereof;
FIG. 5 is a rear elevational view thereof; and
FIG. 6 is a perspective view of a second embodiment of that shown in FIG. 1.



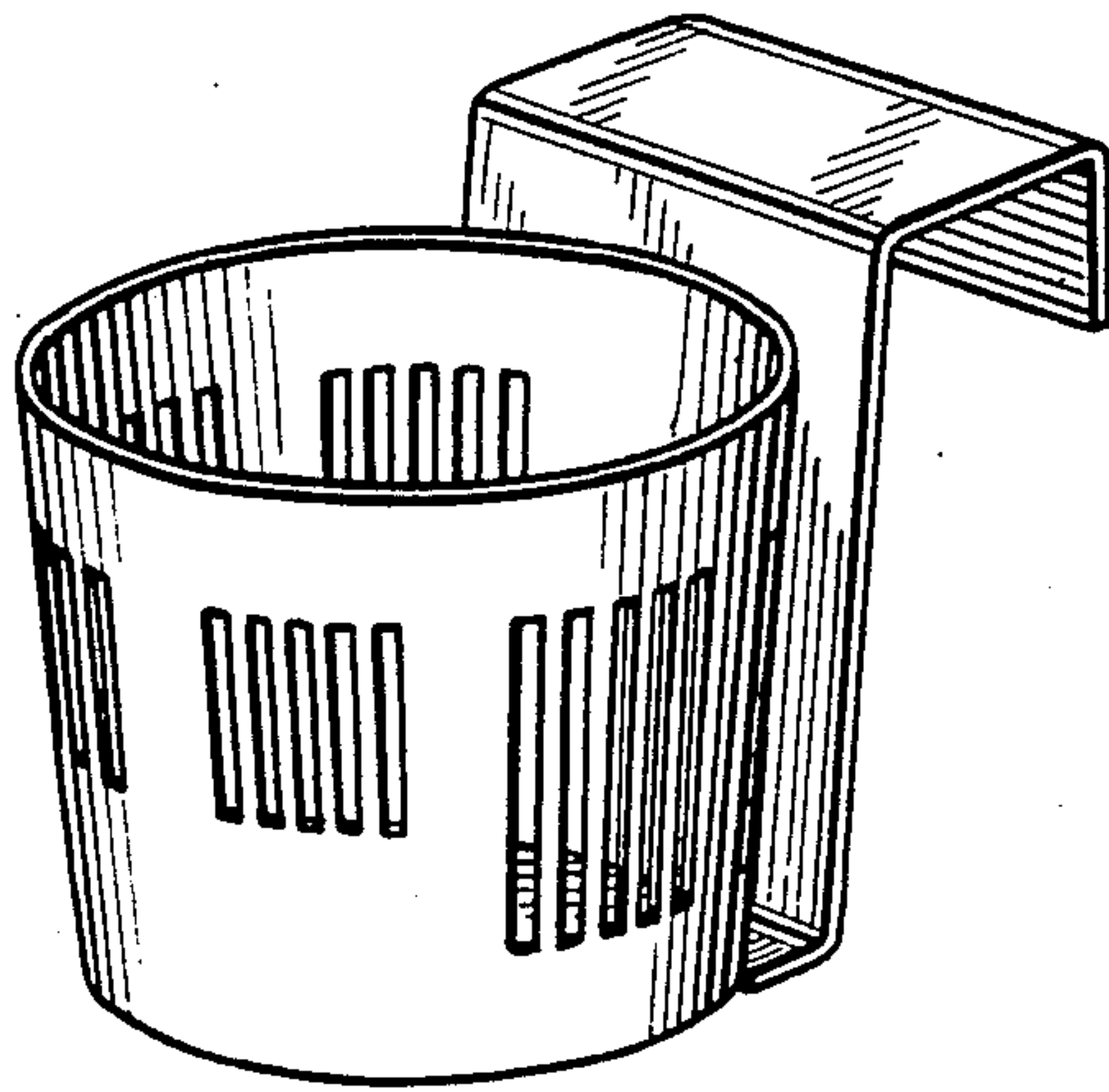


Fig. 1.

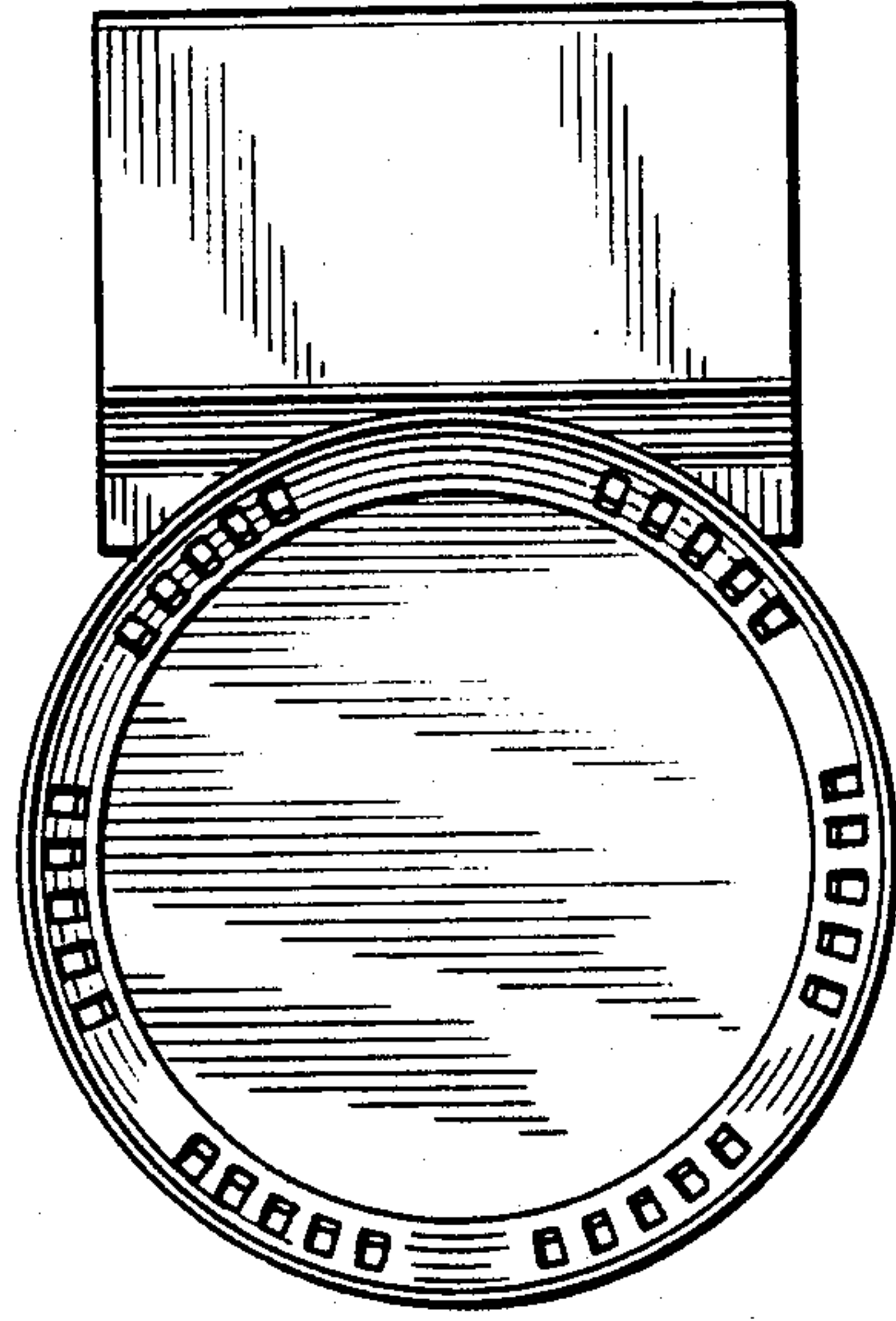


Fig. 2.

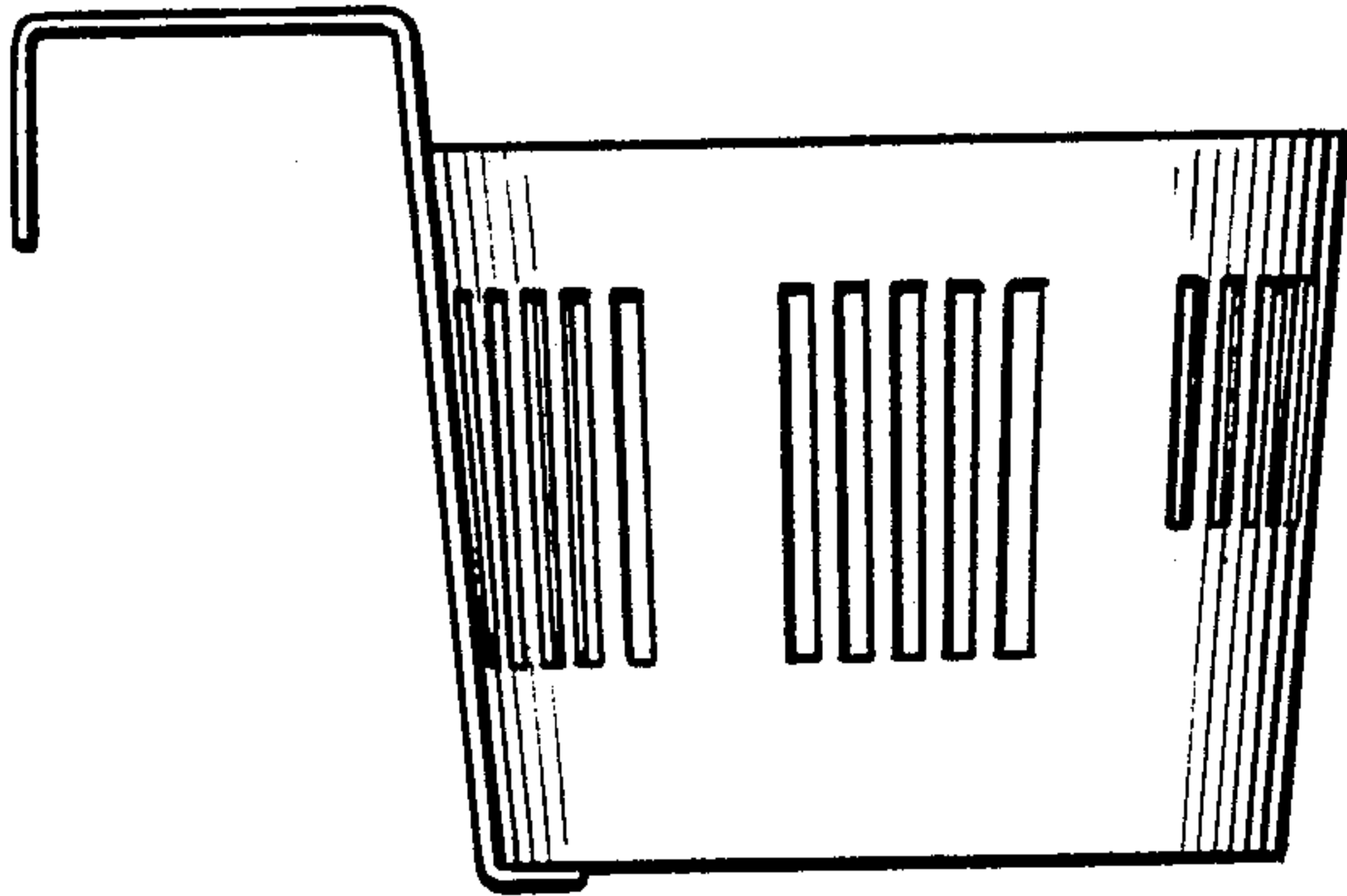


Fig. 3.

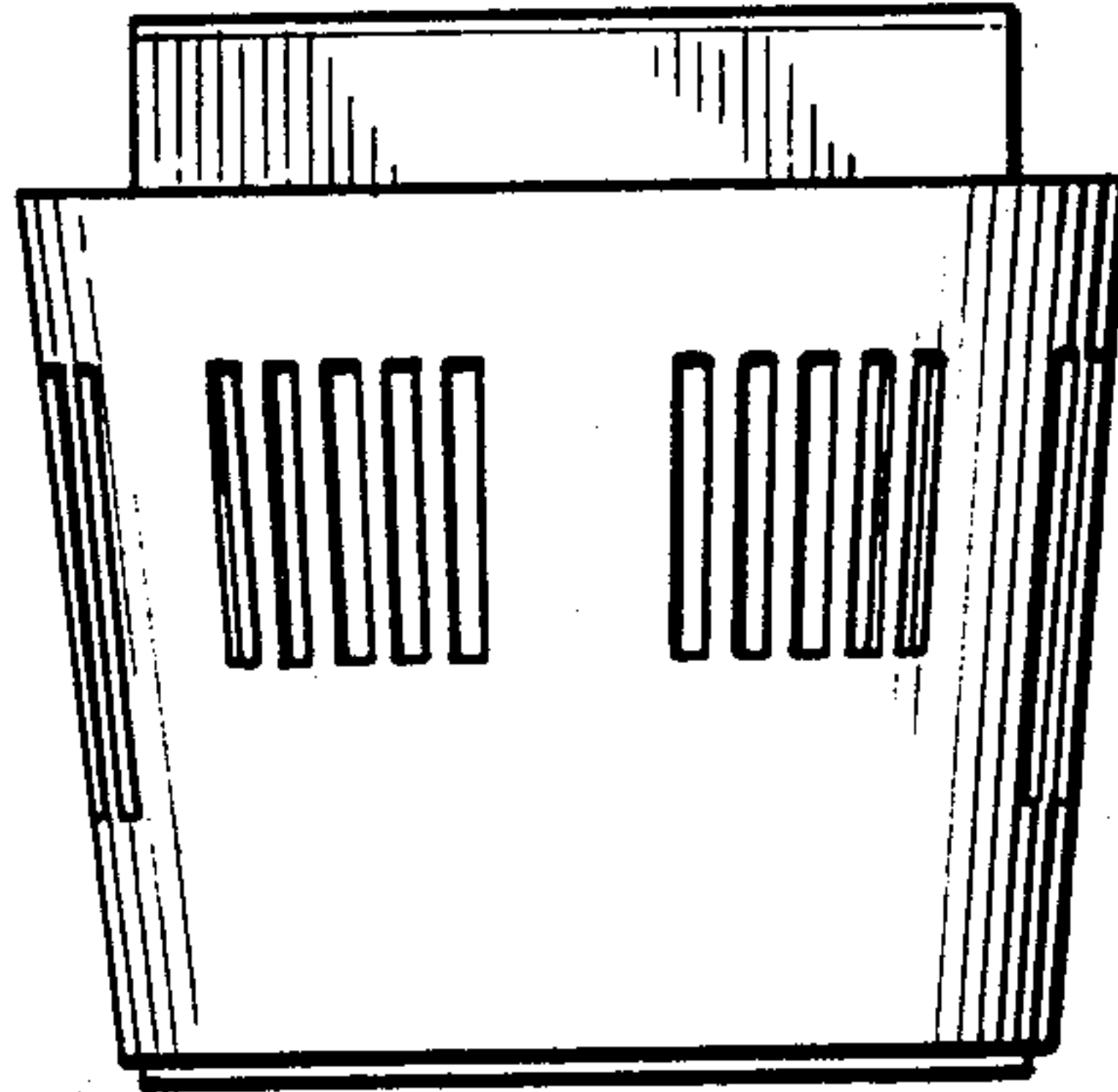


Fig. 4.

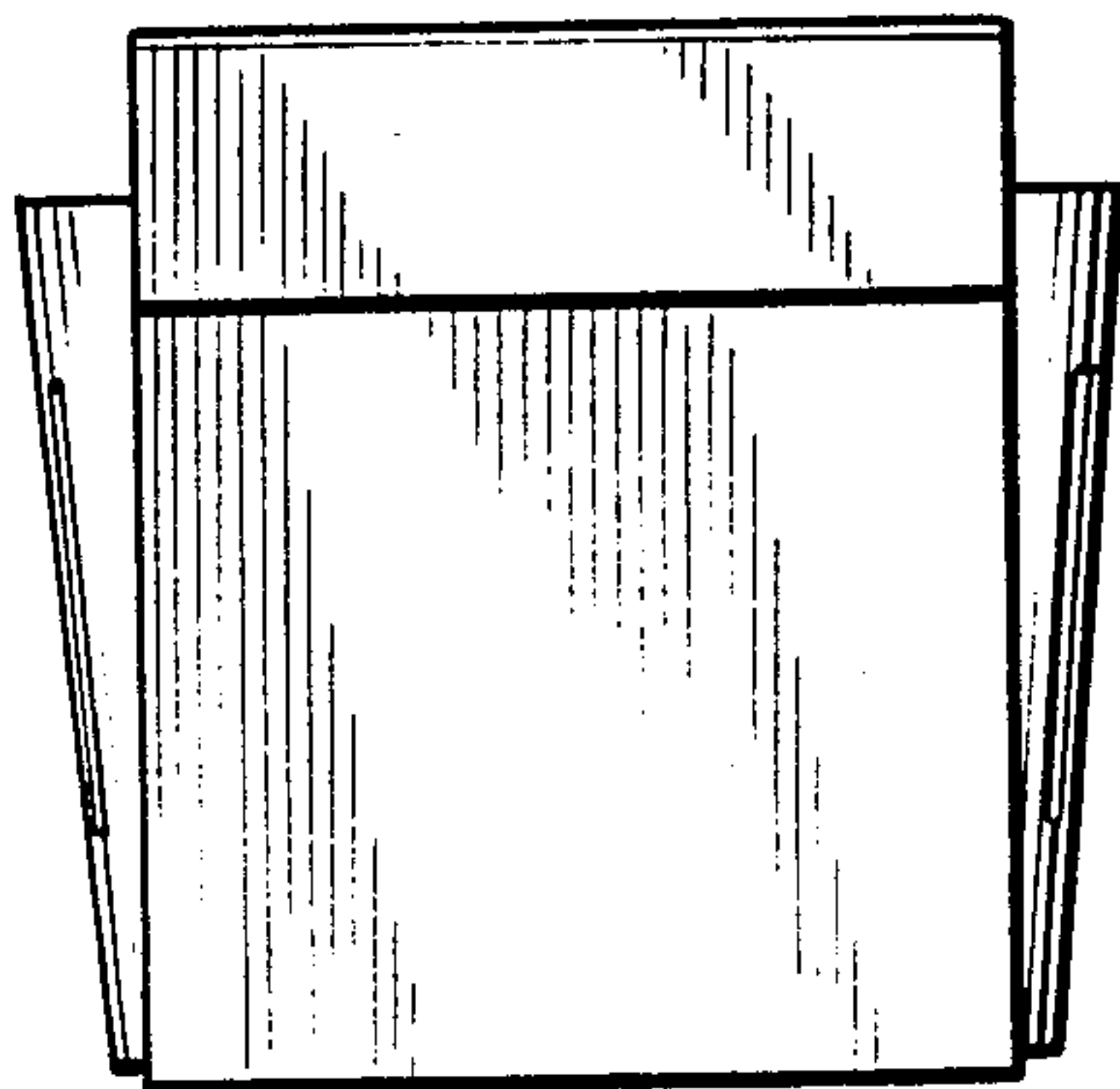


Fig. 5.

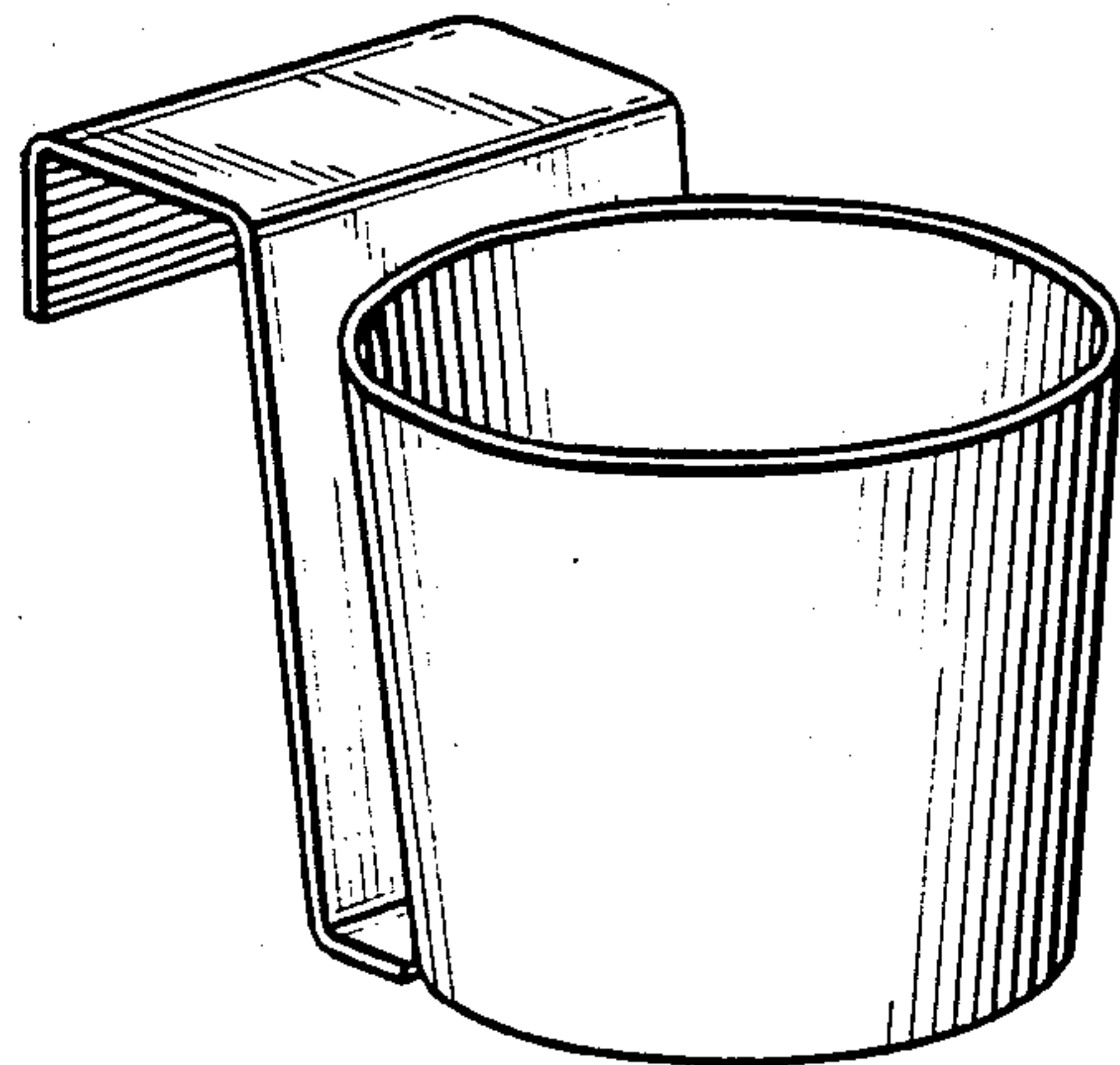


Fig. 6.