

# United States Patent [19]

Bezzerides

[11] Patent Number: Des. 295,931

[45] Date of Patent: \*\* May 31, 1988

[54] DISPLAY RACK

[75] Inventor: George A. Bezzerides, Suisun, Calif.

[73] Assignee: Bezzerides Company, Benicia, Calif.

[\*\*] Term: 14 Years

[21] Appl. No.: 746,966

[22] Filed: Jun. 20, 1985

[52] U.S. Cl. .... D6/463; D6/465

[58] Field of Search ..... D6/462, 463, 465;  
211/181

D. 208,443 8/1967 Rollins, Jr. .... D6/463  
D. 249,615 9/1978 Frisbey ..... D6/463  
4,175,602 11/1979 Cavalaris et al. .... D6/462 X

*Primary Examiner*—Carmen H. Vales  
*Attorney, Agent, or Firm*—Majestic, Gallagher, Parsons & Siebert

[57] CLAIM

The ornamental design of a display rack, substantially as shown and described.

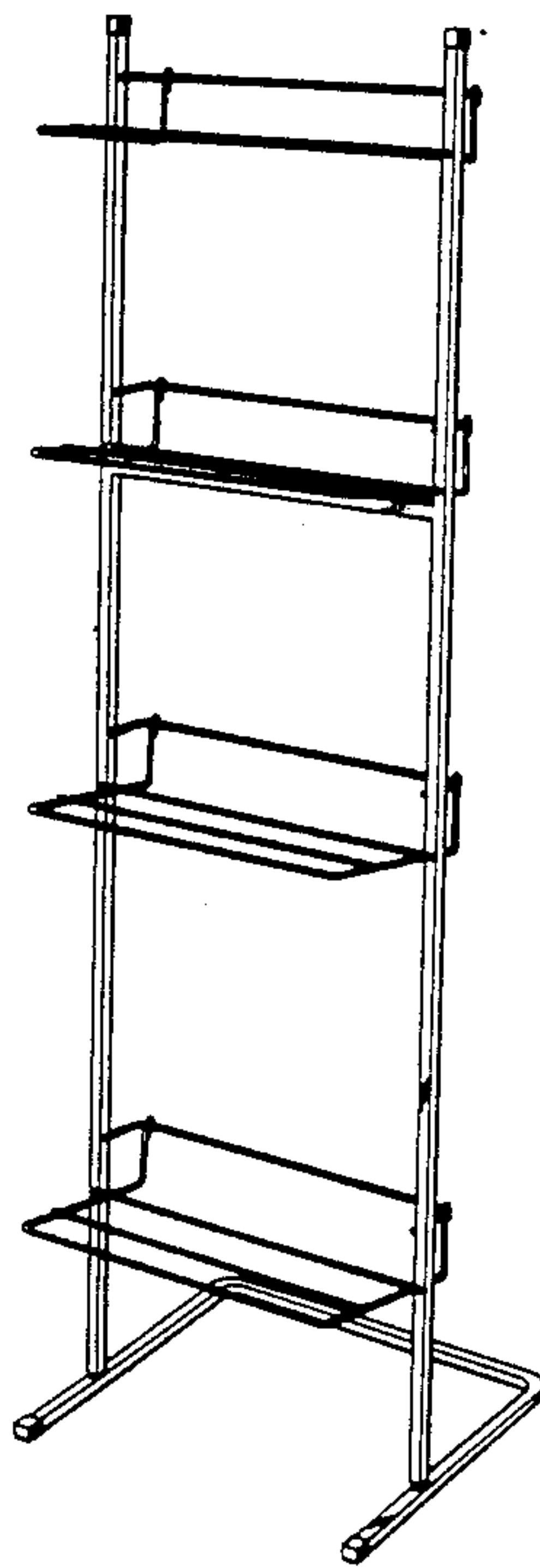
DESCRIPTION

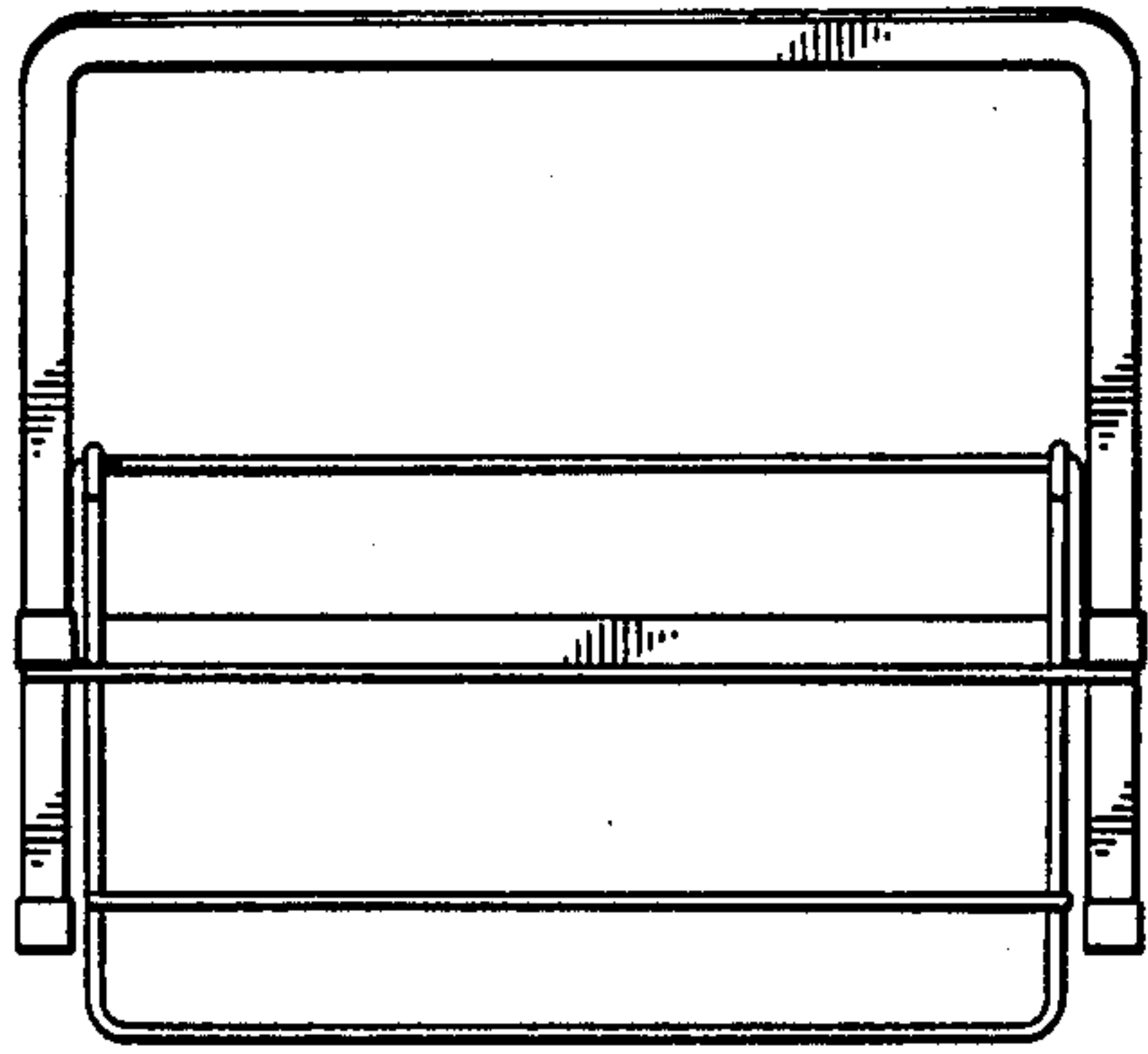
FIG. 1 is a perspective view of a display rack showing my new design;  
FIG. 2 is a right side elevational view thereof;  
FIG. 3 is a rear elevational view thereof; and,  
FIG. 4 is a top plan view thereof.

[56] References Cited

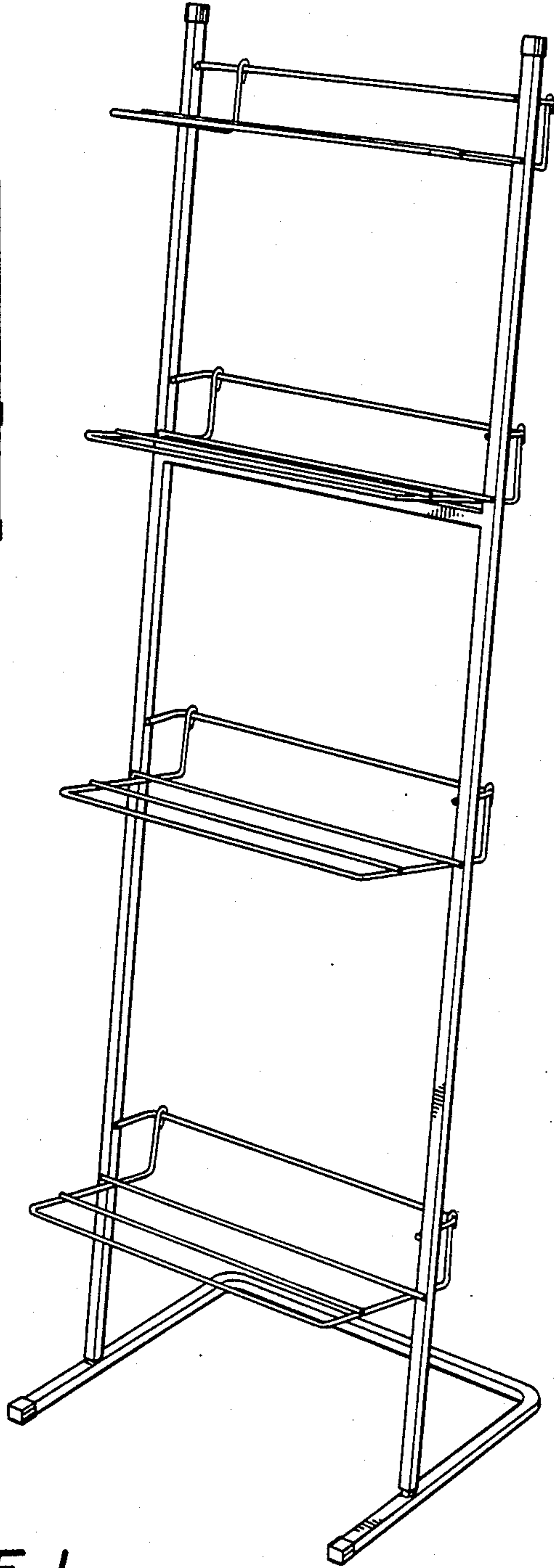
U.S. PATENT DOCUMENTS

D. 162,990 4/1951 Roeder ..... D6/463  
D. 175,034 6/1955 Mohr ..... D6/463





**FIGURE 4**



**FIGURE 1**

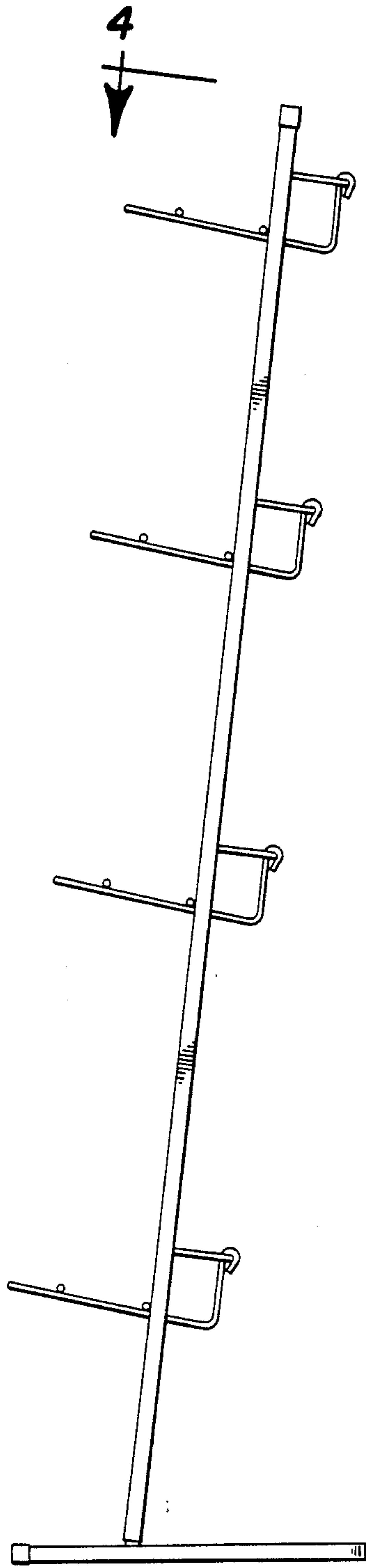


FIGURE 2

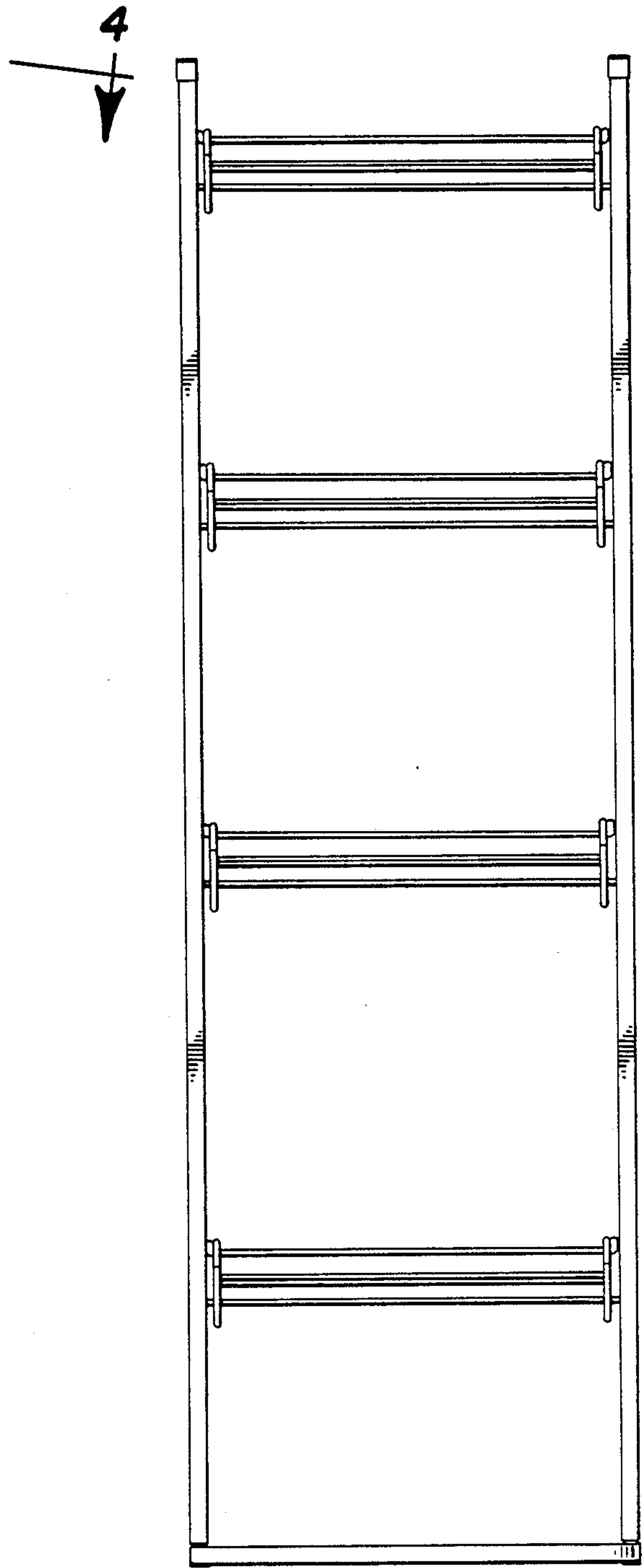


FIGURE 3