

[54] CHAIR

DESCRIPTION

[75] Inventor: Claus Uredat-Neuhoff, Lindern, Fed. Rep. of Germany

[73] Assignee: Roeder GmbH Sitzmoebelwerke, Frankfurt, Fed. Rep. of Germany

[\*\*] Term: 14 Years

[21] Appl. No.: 722,529

[22] Filed: Apr. 12, 1985

[30] Foreign Application Priority Data

Oct. 15, 1984 [DE] Fed. Rep. of Germany ..... 73 AR

[52] U.S. Cl. .... D6/366

[58] Field of Search ..... D6/364, 365, 366, 498; 297/445, 296, 311, 338

[56] References Cited

U.S. PATENT DOCUMENTS

D. 239,988 5/1976 Dittert ..... D6/366

OTHER PUBLICATIONS

Giroflex brochure by GF Business Equipment, outside front cover.

Primary Examiner—Bruce W. Dunkins

Attorney, Agent, or Firm—Roylance, Abrams, Berdo & Goodman

[57] CLAIM

The ornamental design for a chair, as shown and described.

FIG. 1 is a front perspective view of a chair showing my design; FIG. 2 is a side elevational view of the design of FIG. 1, the other side being identical; FIG. 3 is a top plan view of the design of FIG. 1; FIG. 4 is a front elevational view of the design of FIG. 1; FIG. 5 is a rear elevational view of the design of FIG. 1; FIG. 6 is a perspective view of a chair showing a second embodiment of my design; FIG. 7 is a side elevational view of the design of FIG. 6, the other side being identical; FIG. 8 is a top plan view of the design of FIG. 6; FIG. 9 is a front elevational view of the design of FIG. 6; FIG. 10 is a rear elevational view of the design of FIG. 6; FIG. 11 is a perspective view of a chair showing a third embodiment of my design; FIG. 12 is a side elevational view of the design of FIG. 11, the other side being identical; FIG. 13 is a top plan view of the design of FIG. 11; FIG. 14 is a front elevational view of the design of FIG. 11; FIG. 15 is a rear elevational view of the design of FIG. 11; FIG. 16 is a perspective view of a chair showing a fourth embodiment of my design; FIG. 17 is a side elevational view of the design of FIG. 16, the other side being identical; FIG. 18 is a top plan view of the design of FIG. 16; FIG. 19 is a front elevational view of the design of FIG. 16; and FIG. 20 is a rear elevational view of the design of FIG. 16.



Fig.2

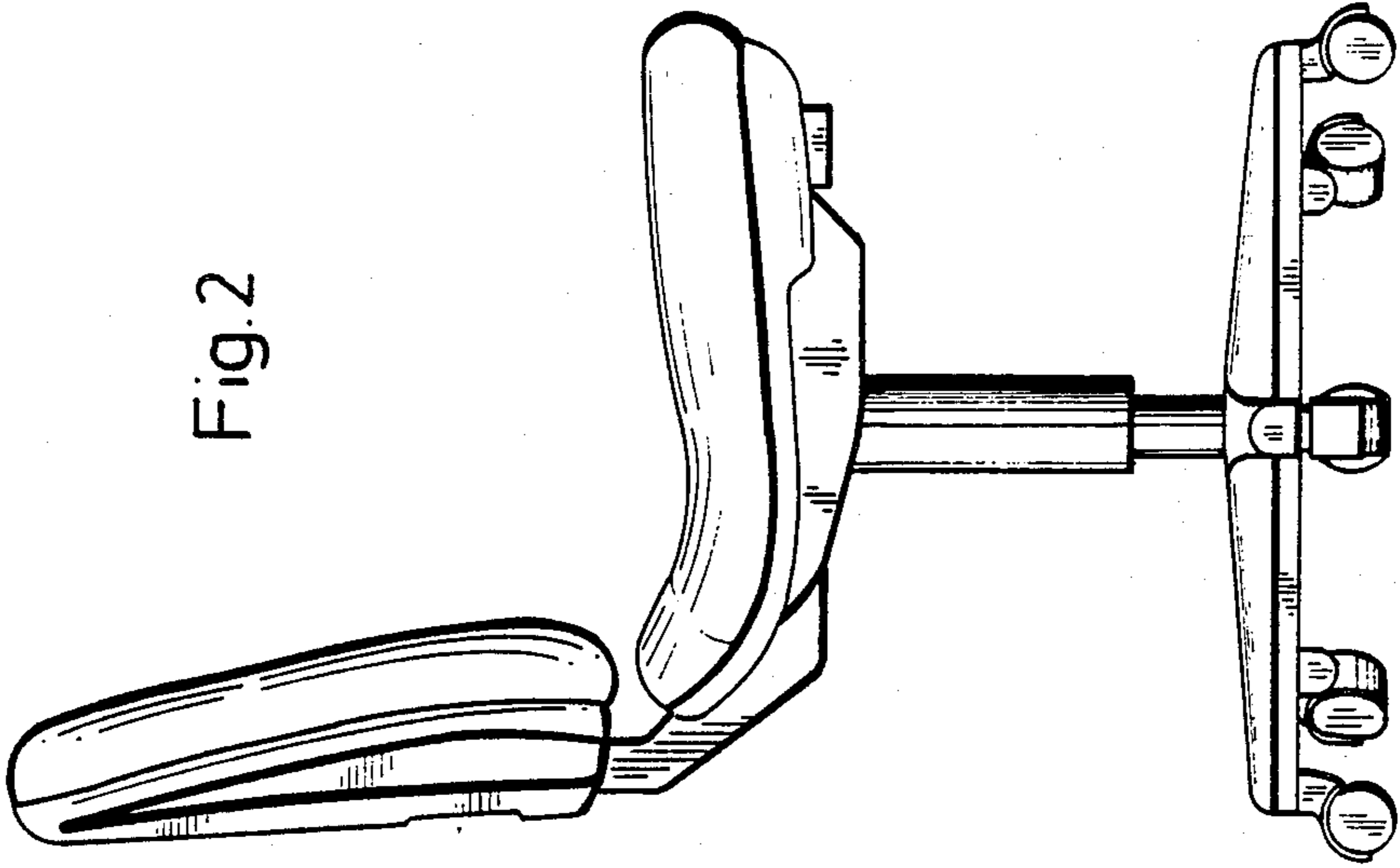


Fig.1

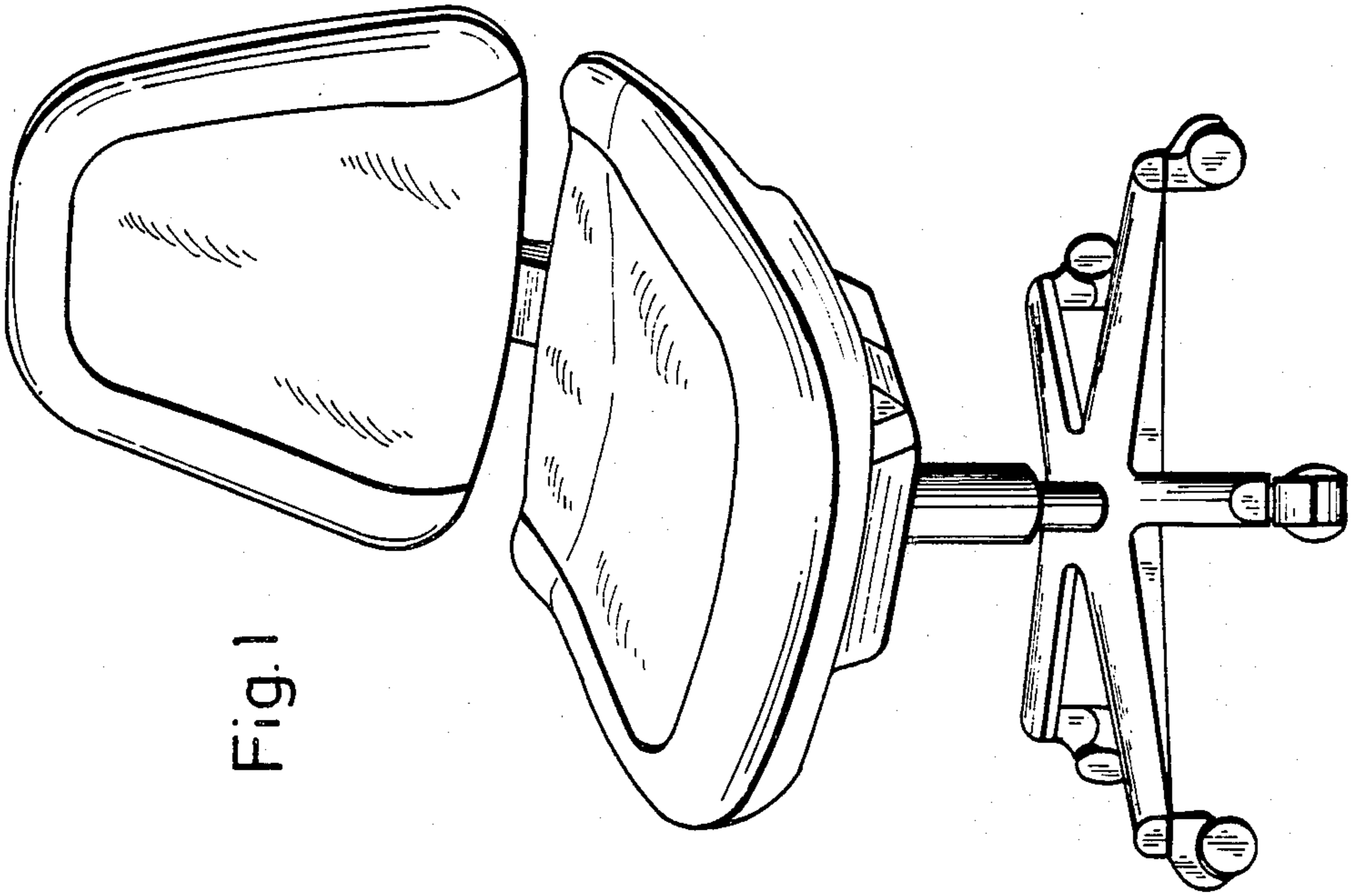


Fig.3

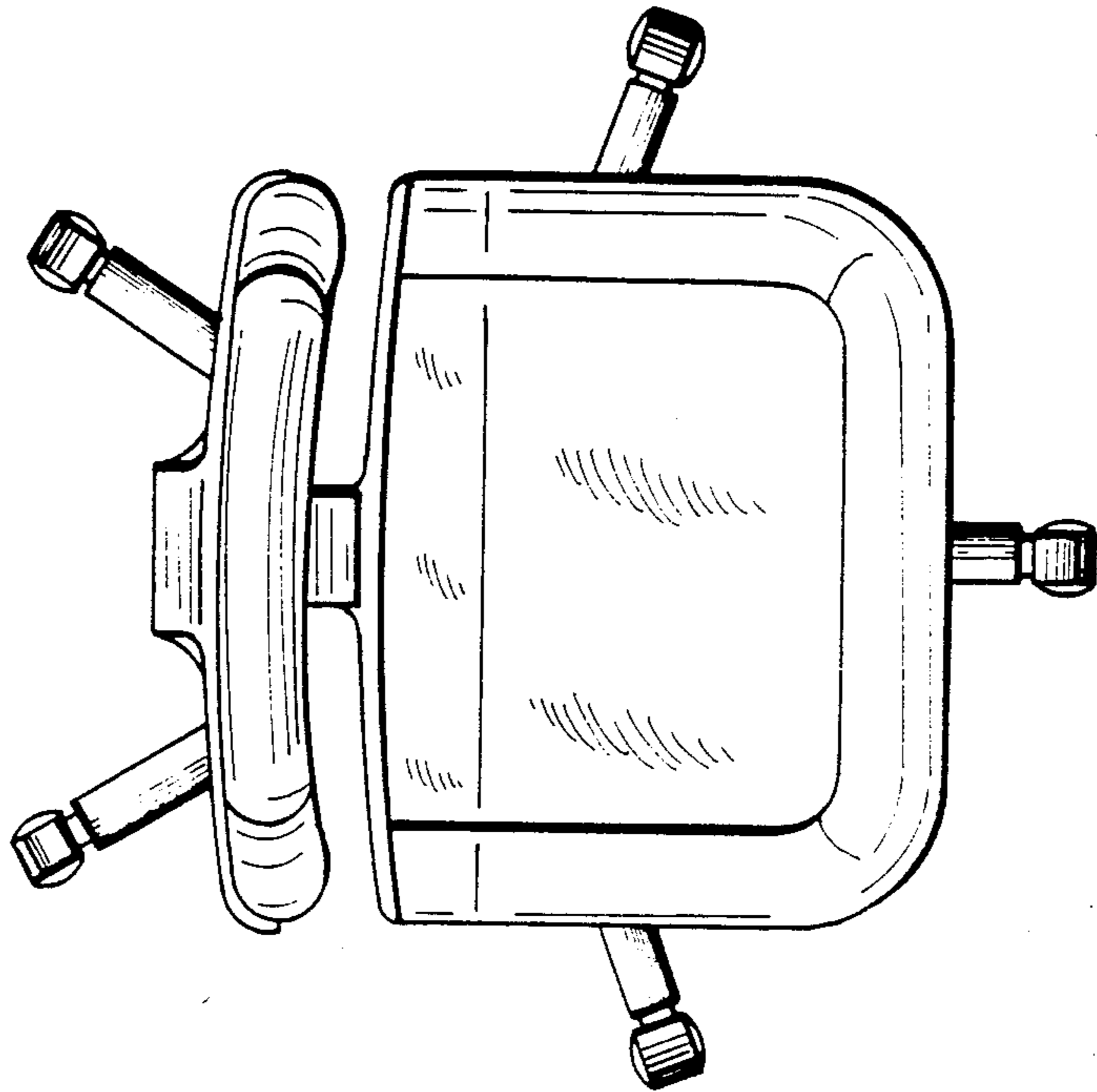


Fig.4

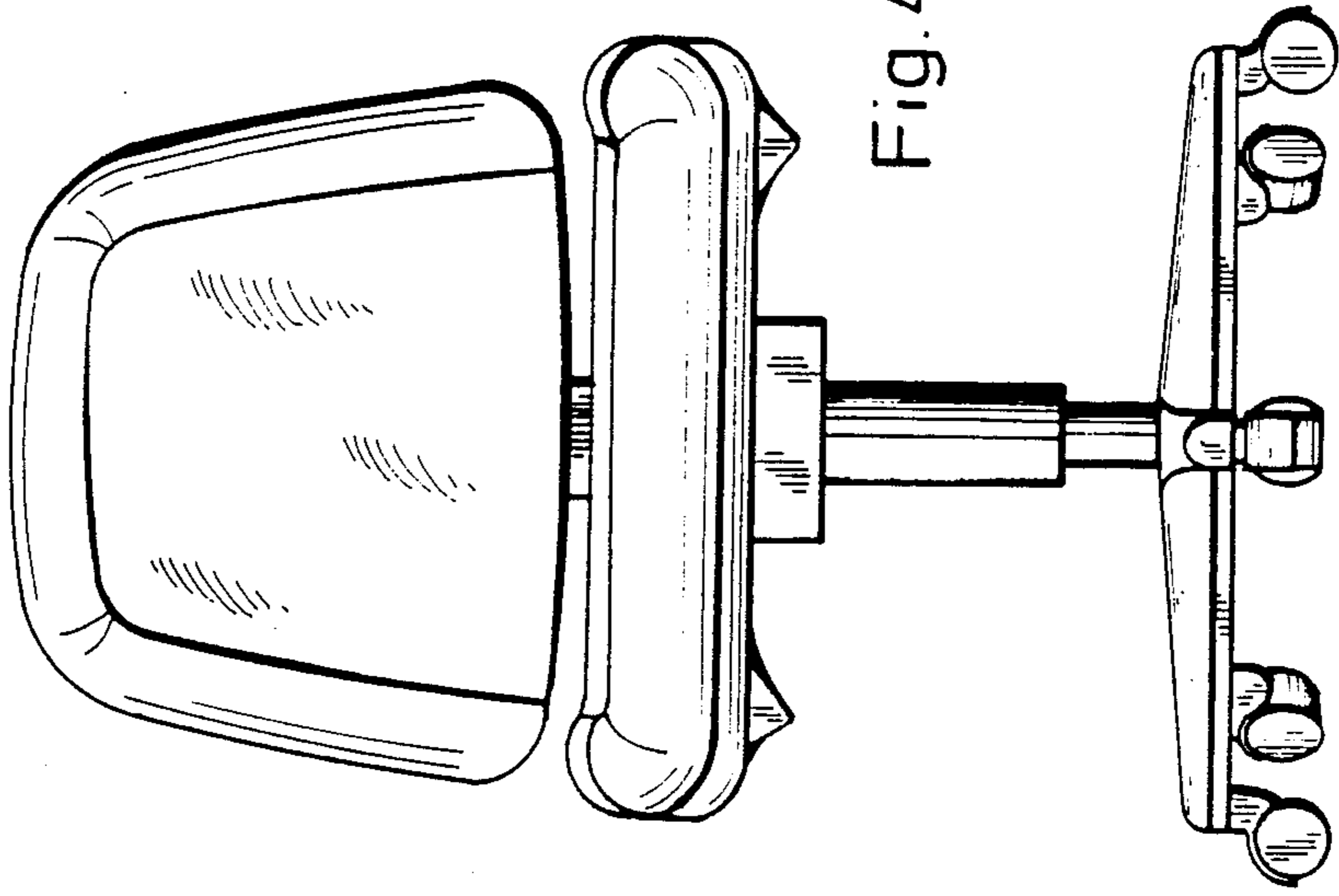
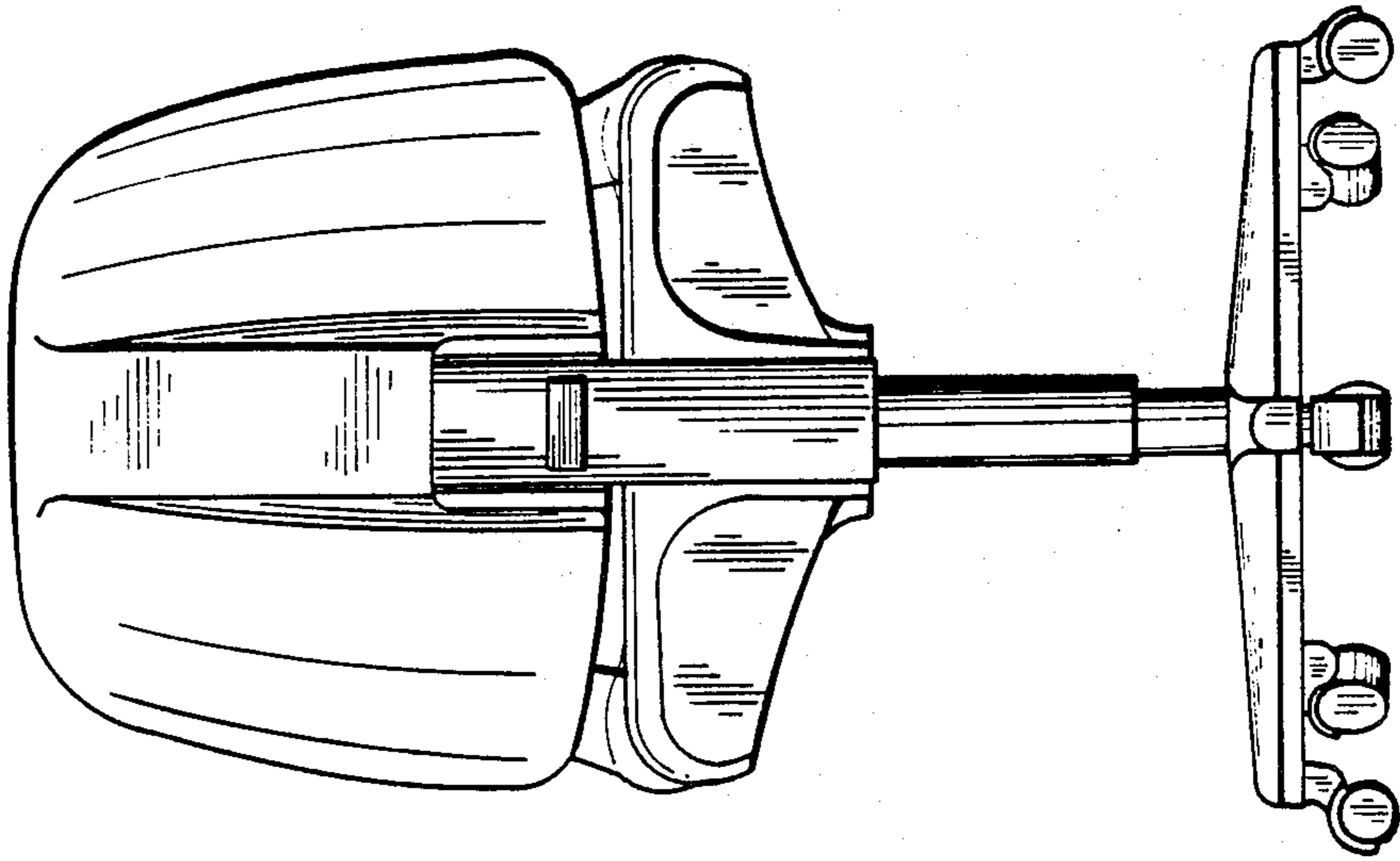


Fig. 5



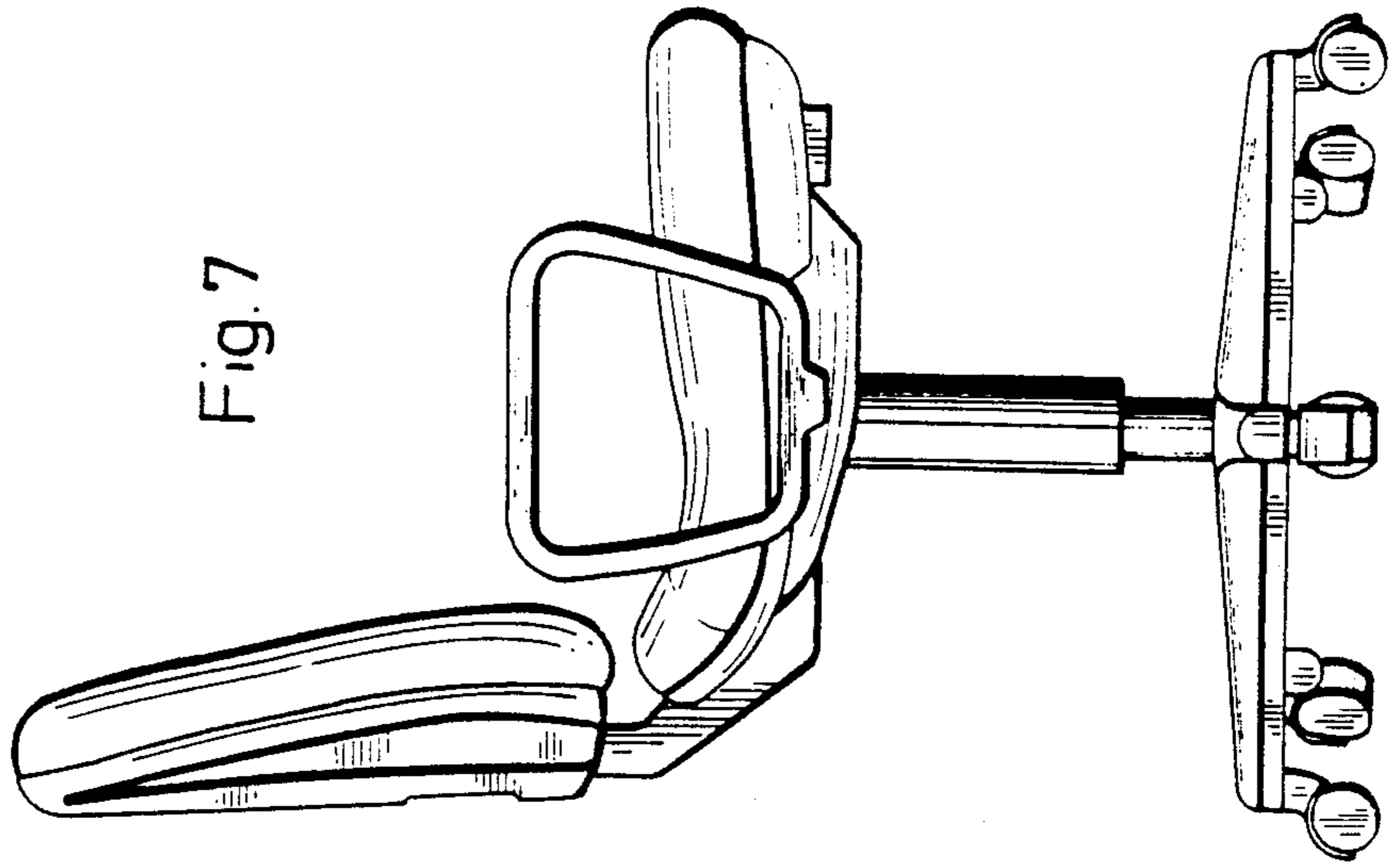


Fig. 7

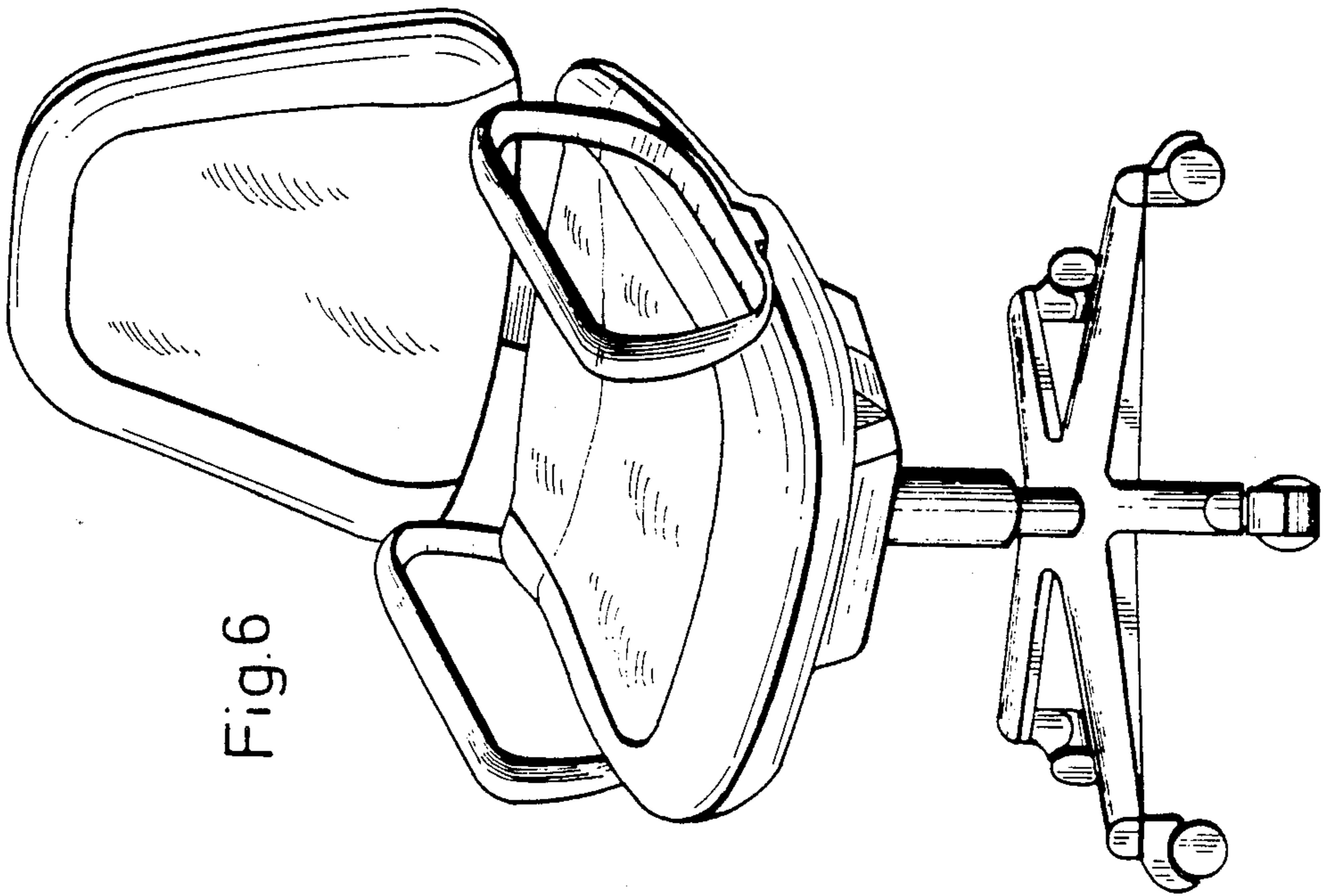


Fig. 6

Fig.8

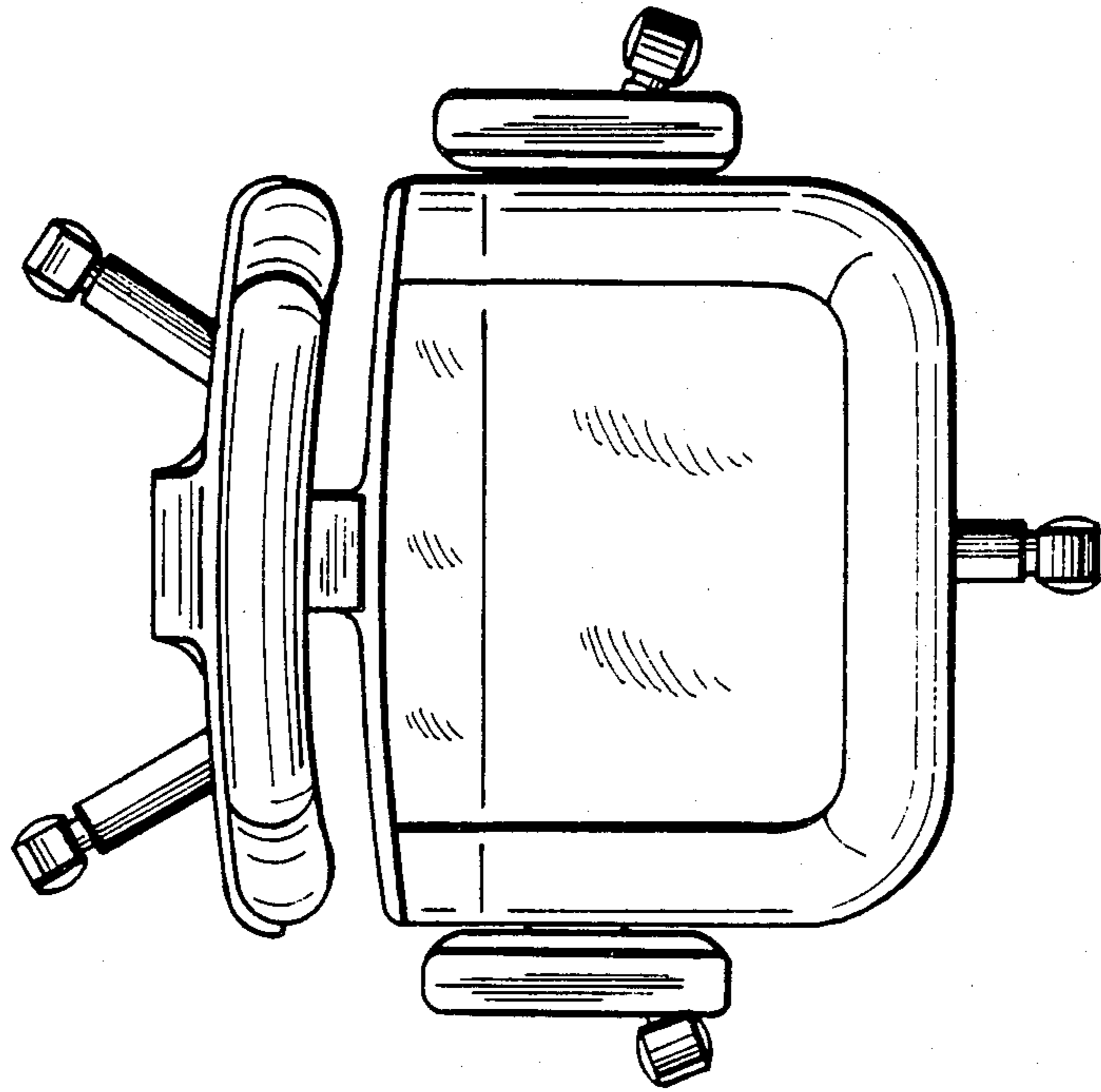


Fig.9

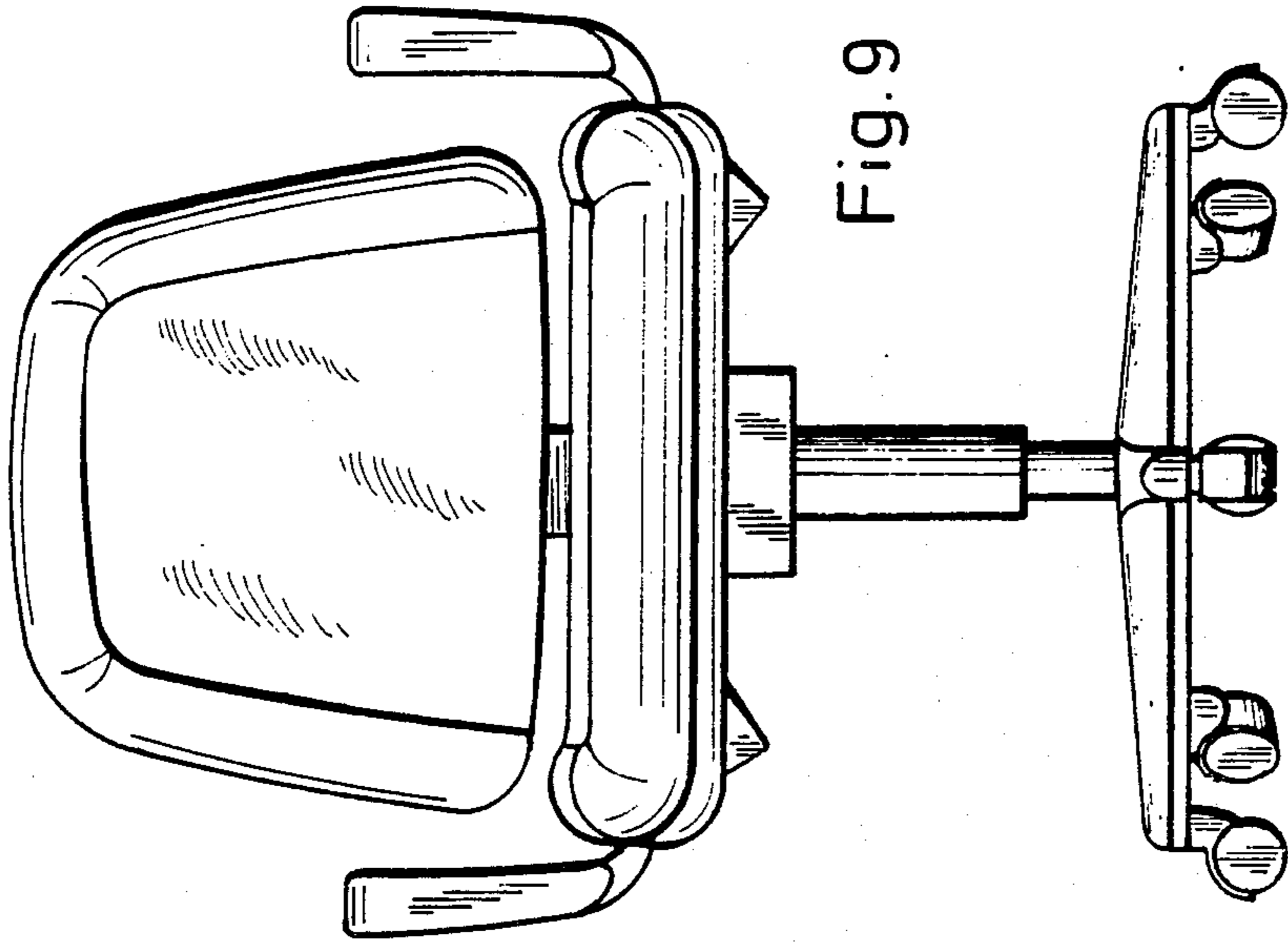


Fig.10

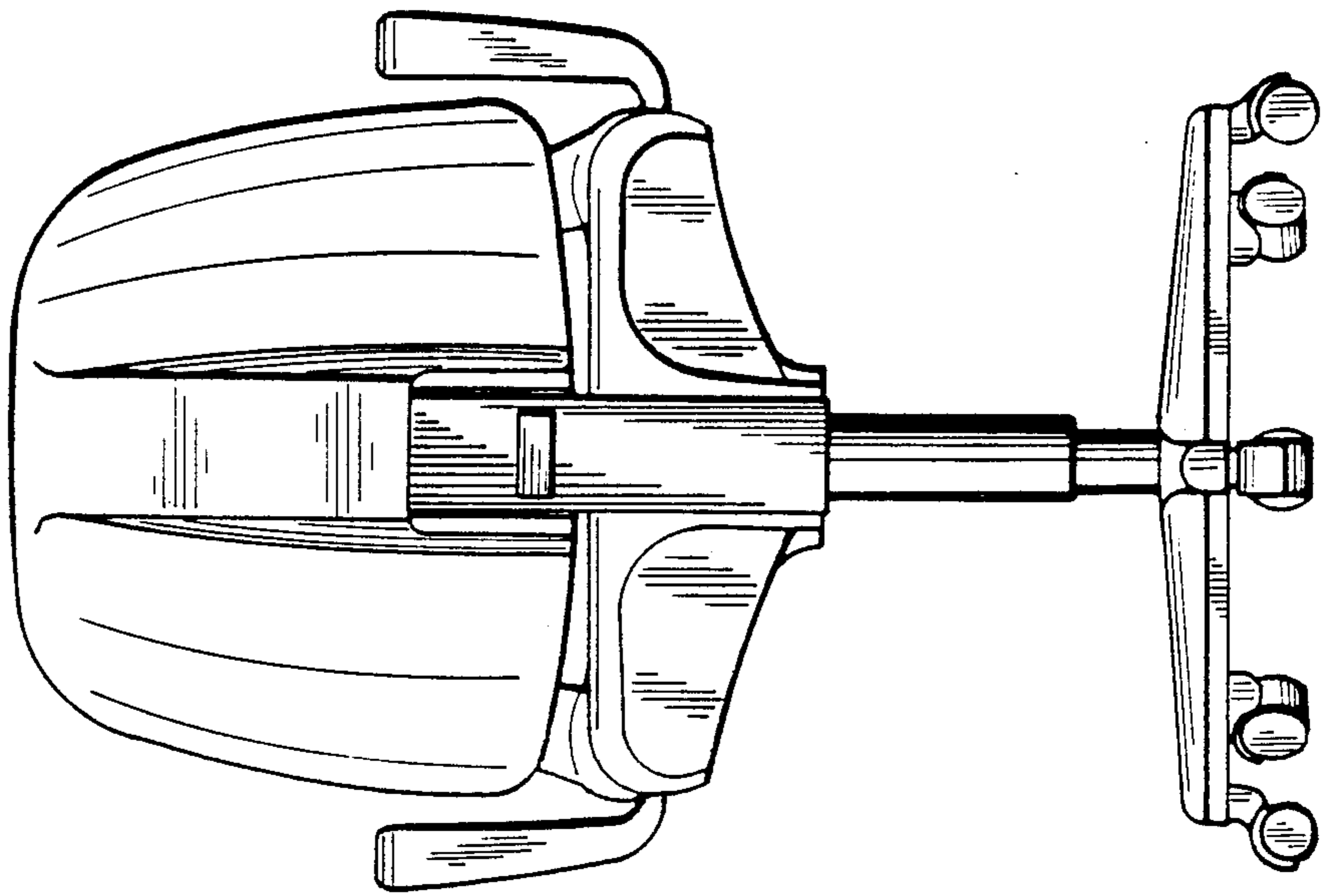


Fig.11

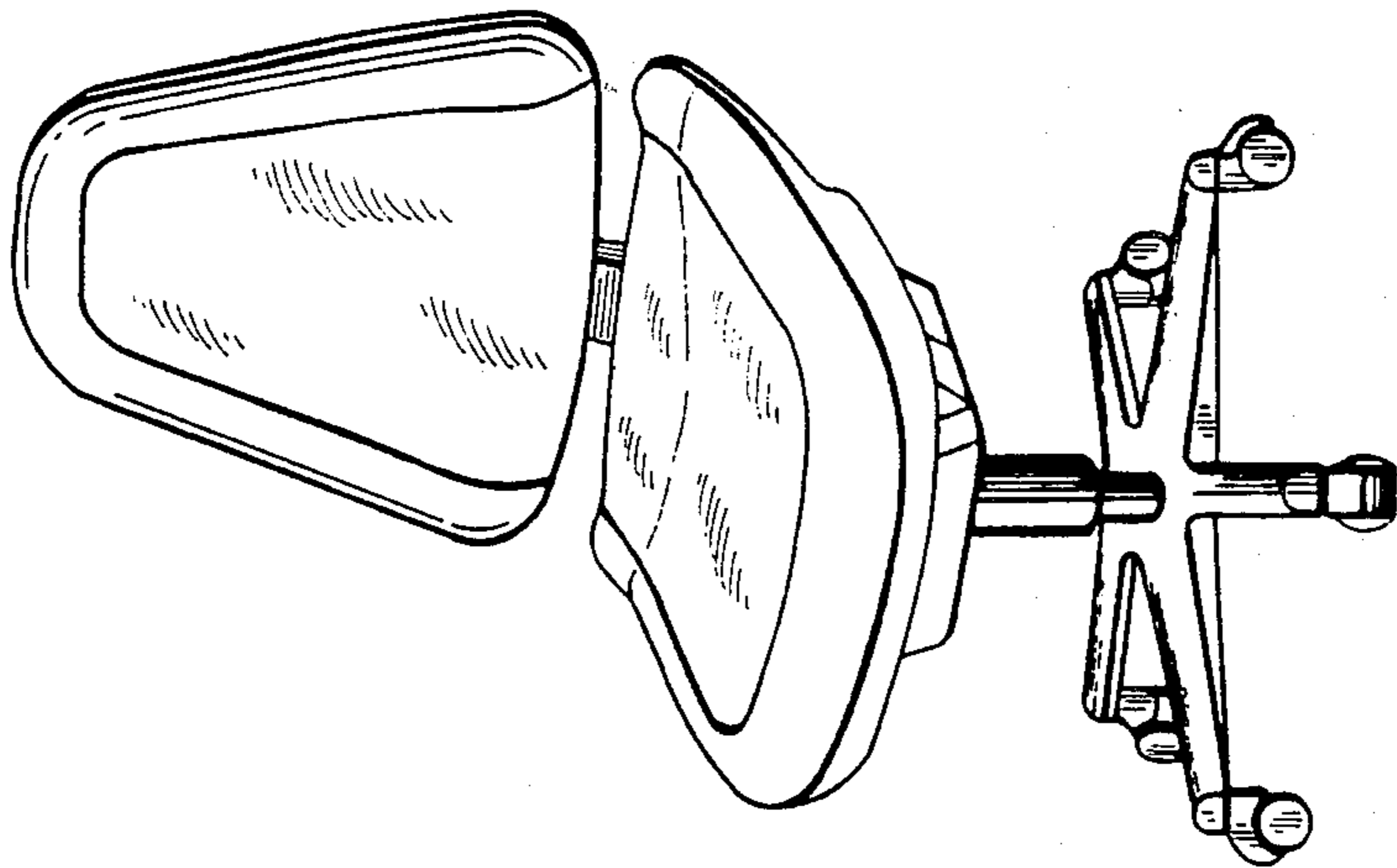


Fig.12

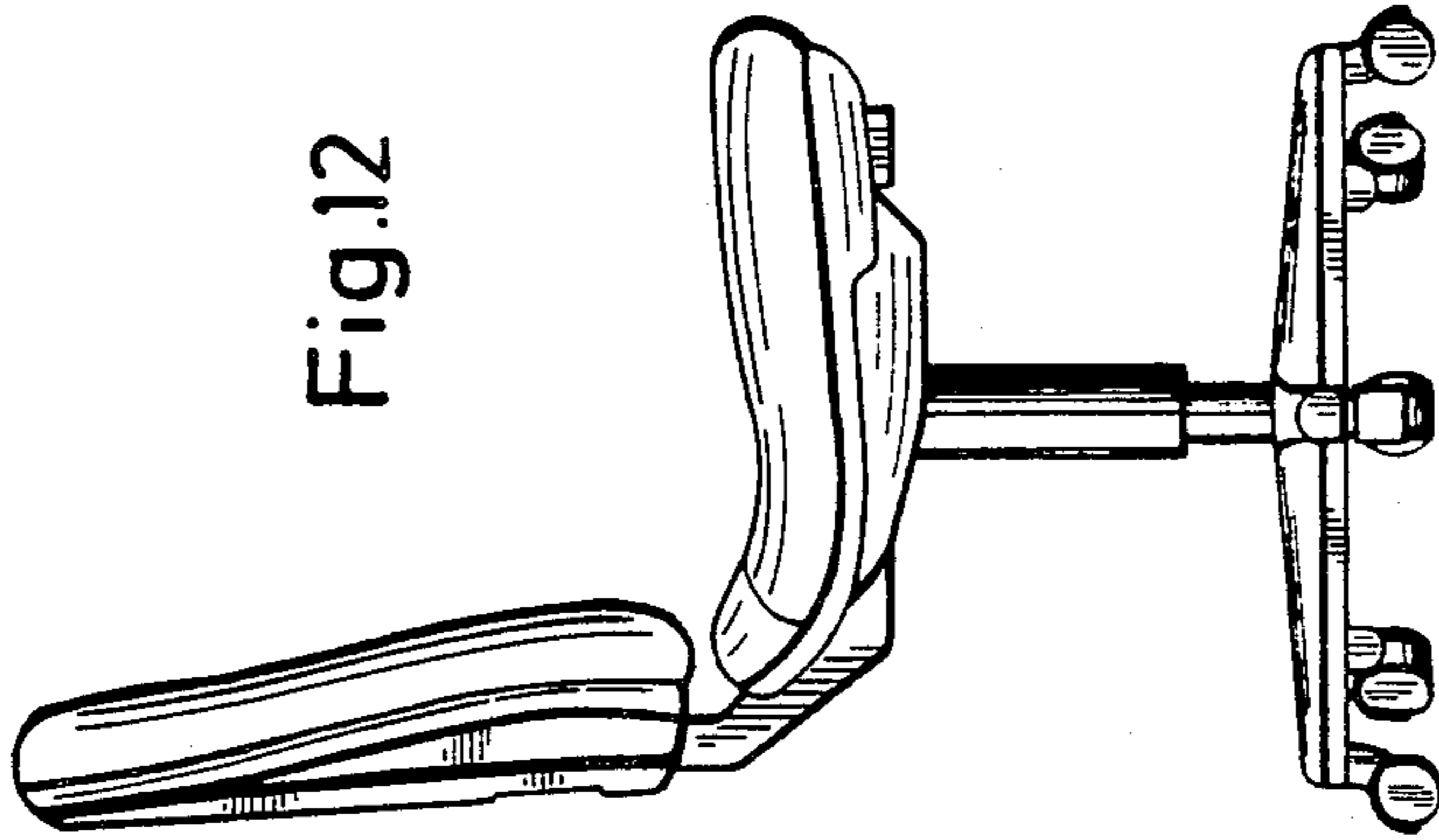


Fig.13

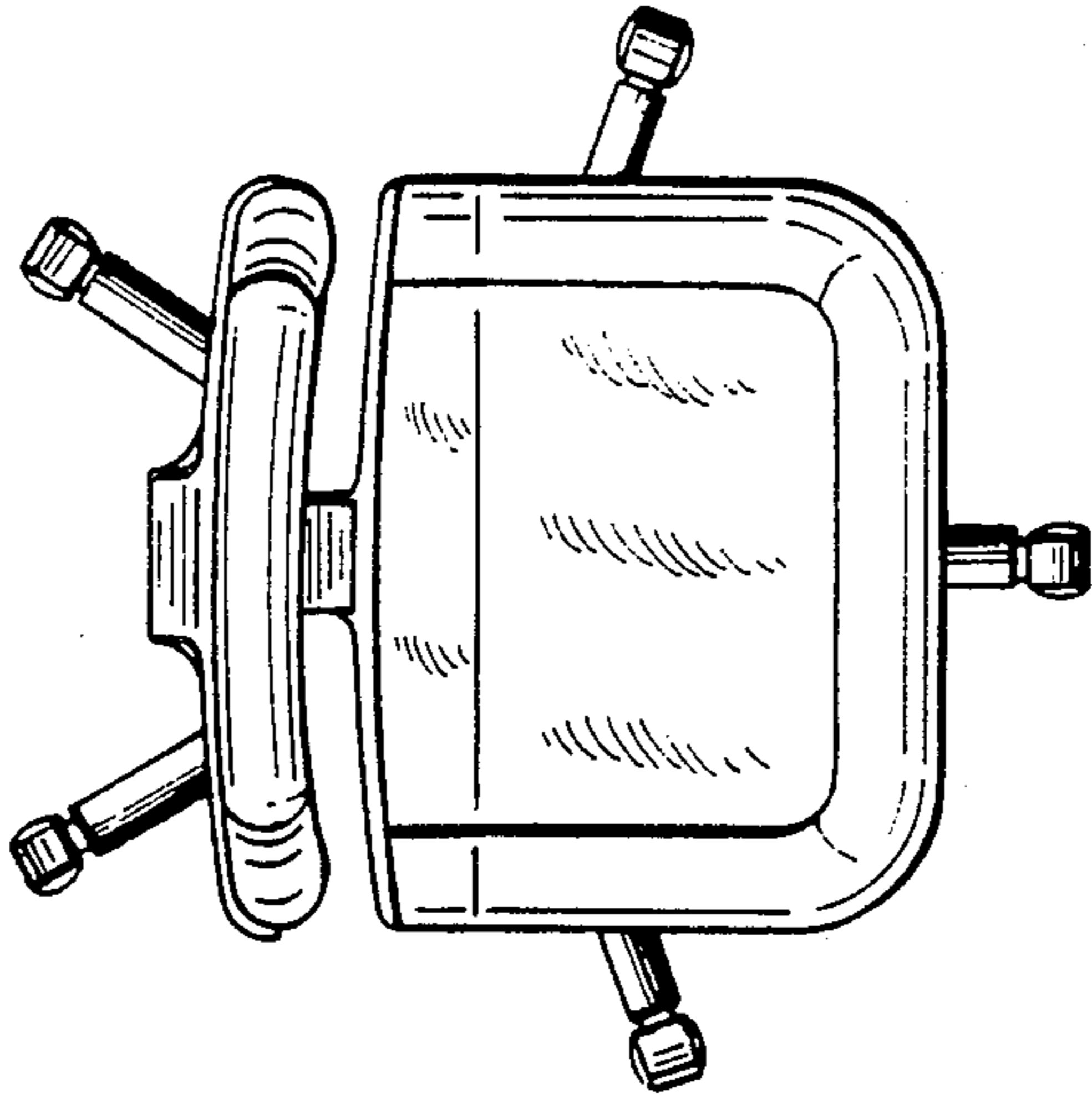




Fig. 15

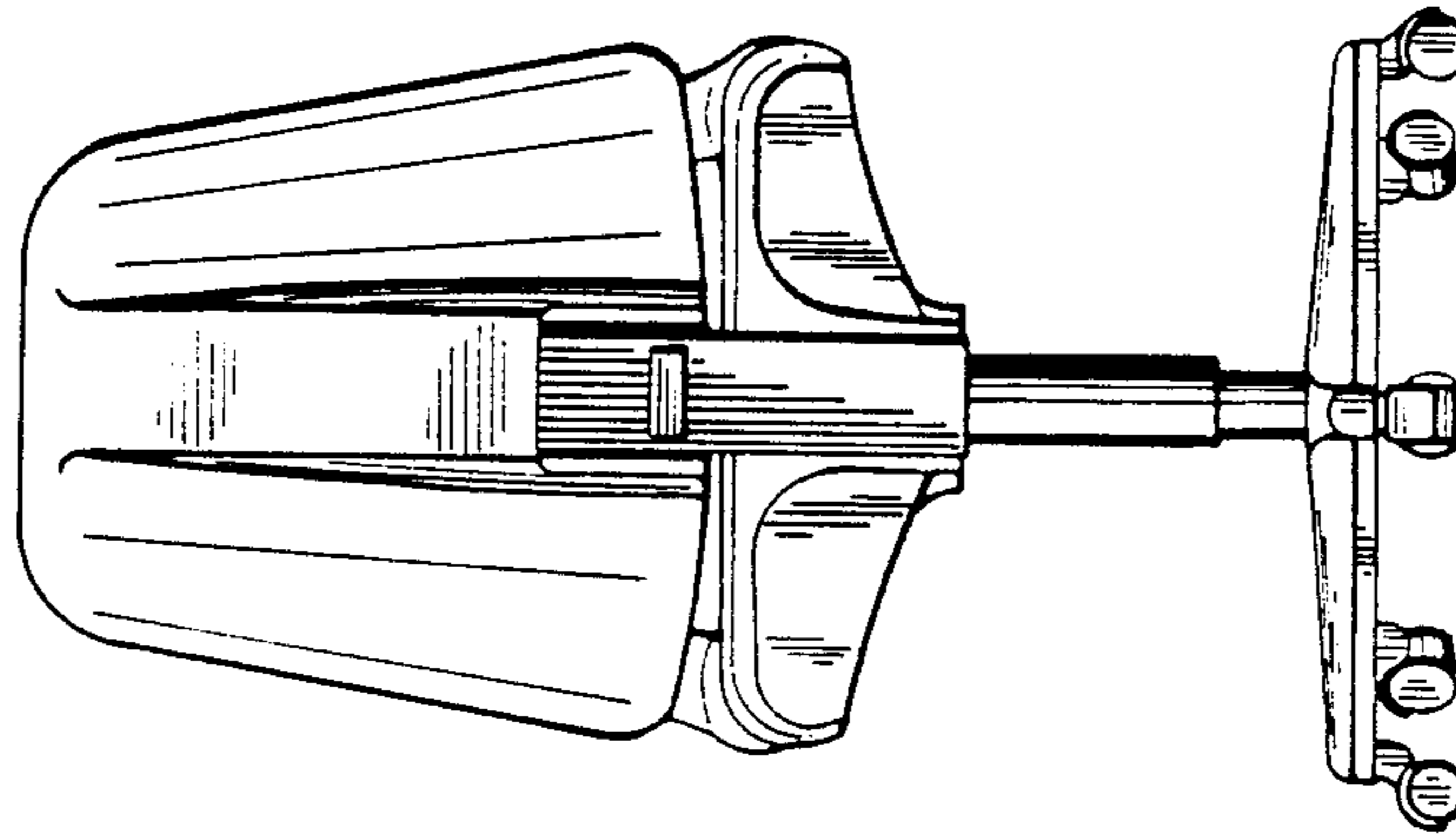


Fig. 14

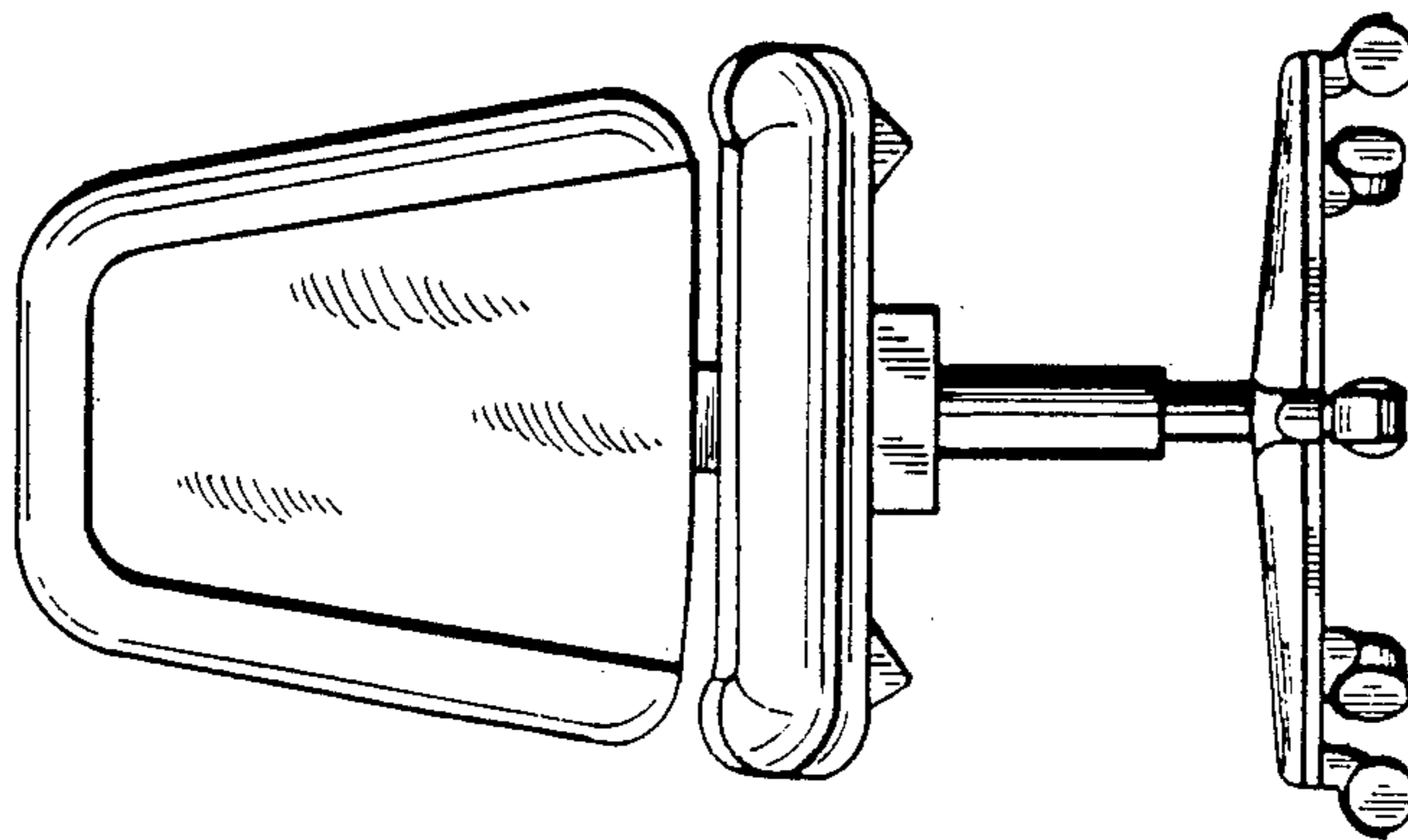


Fig.18

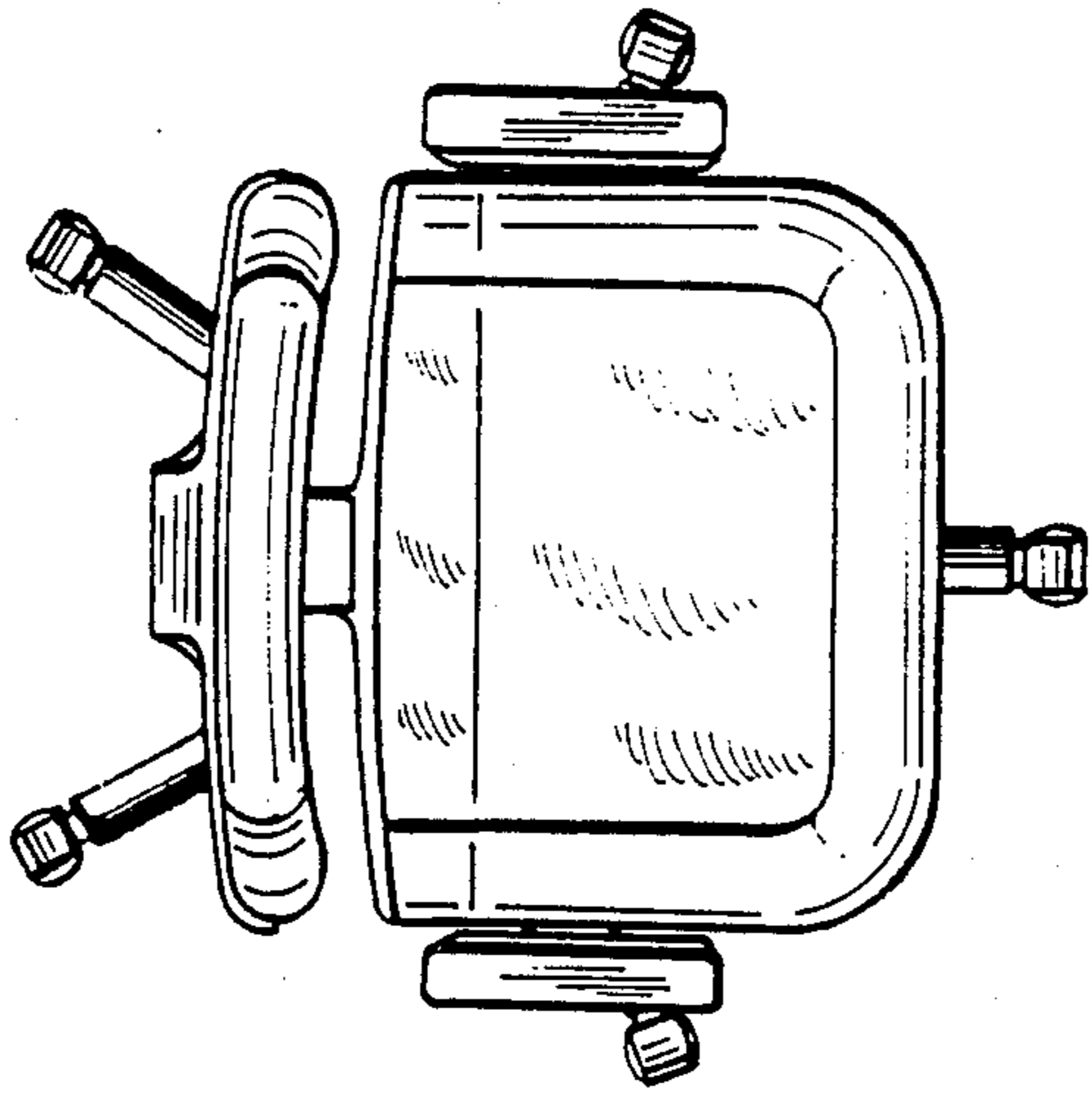


Fig.17

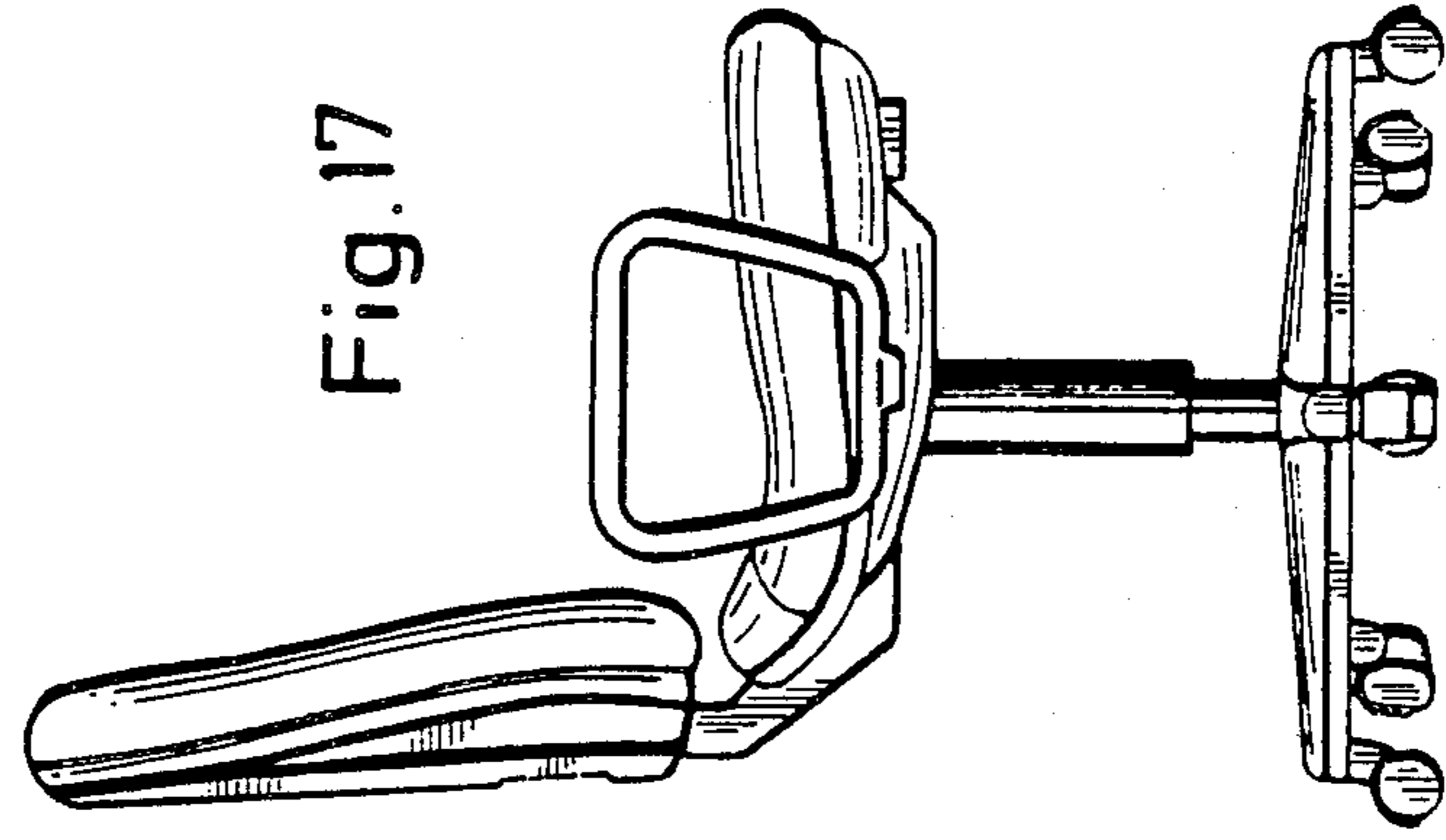


Fig.16

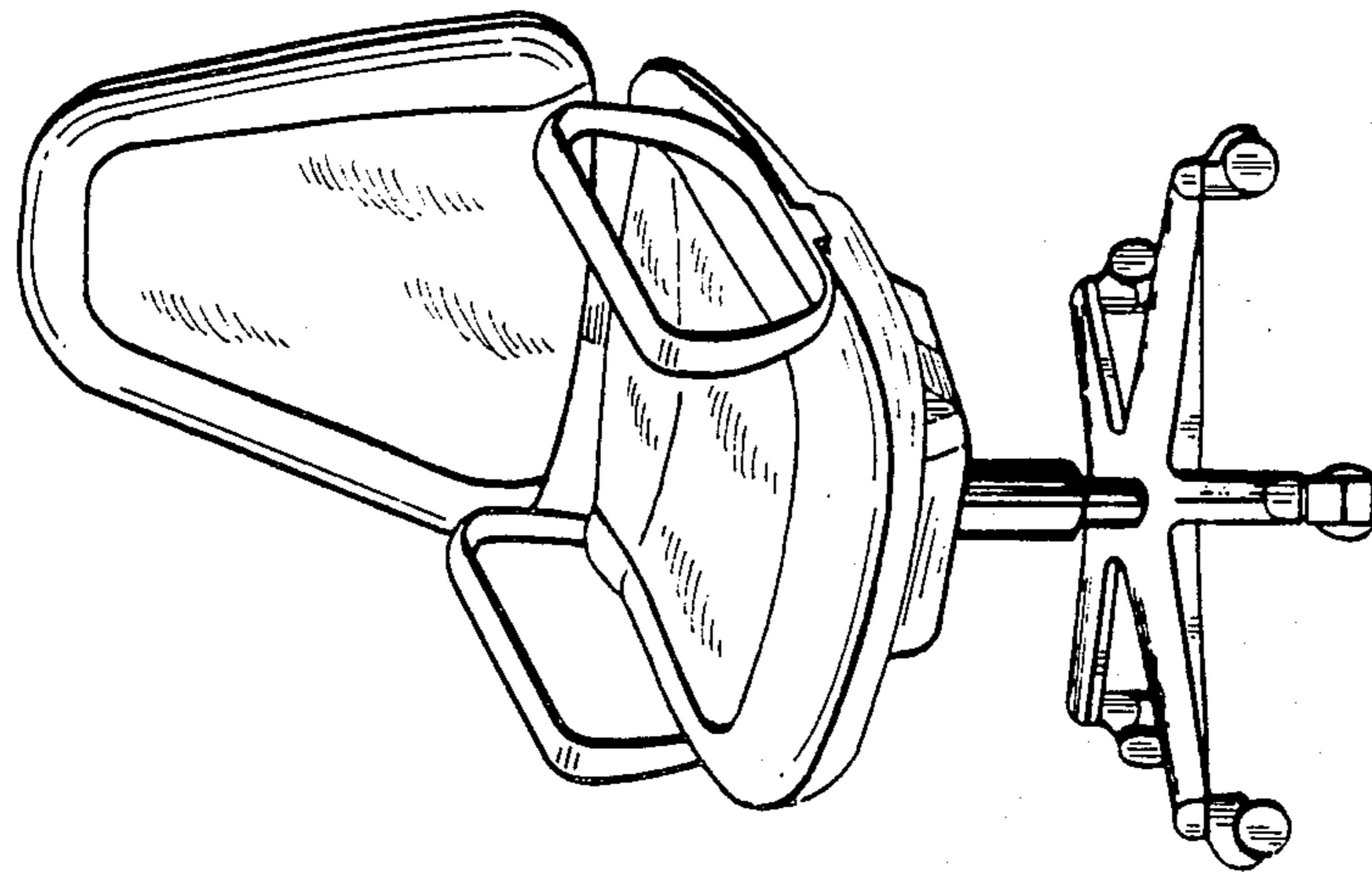


Fig. 20

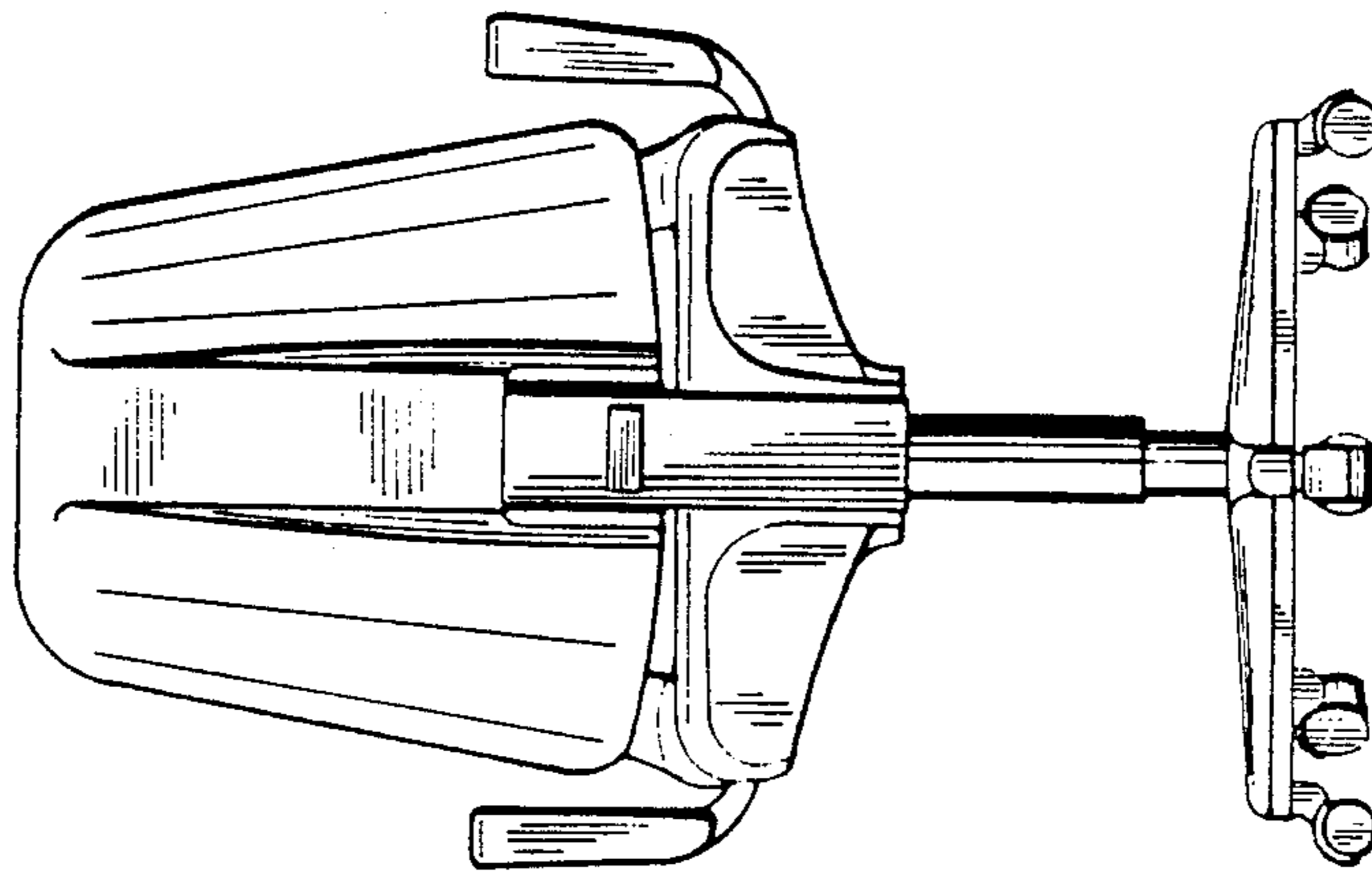
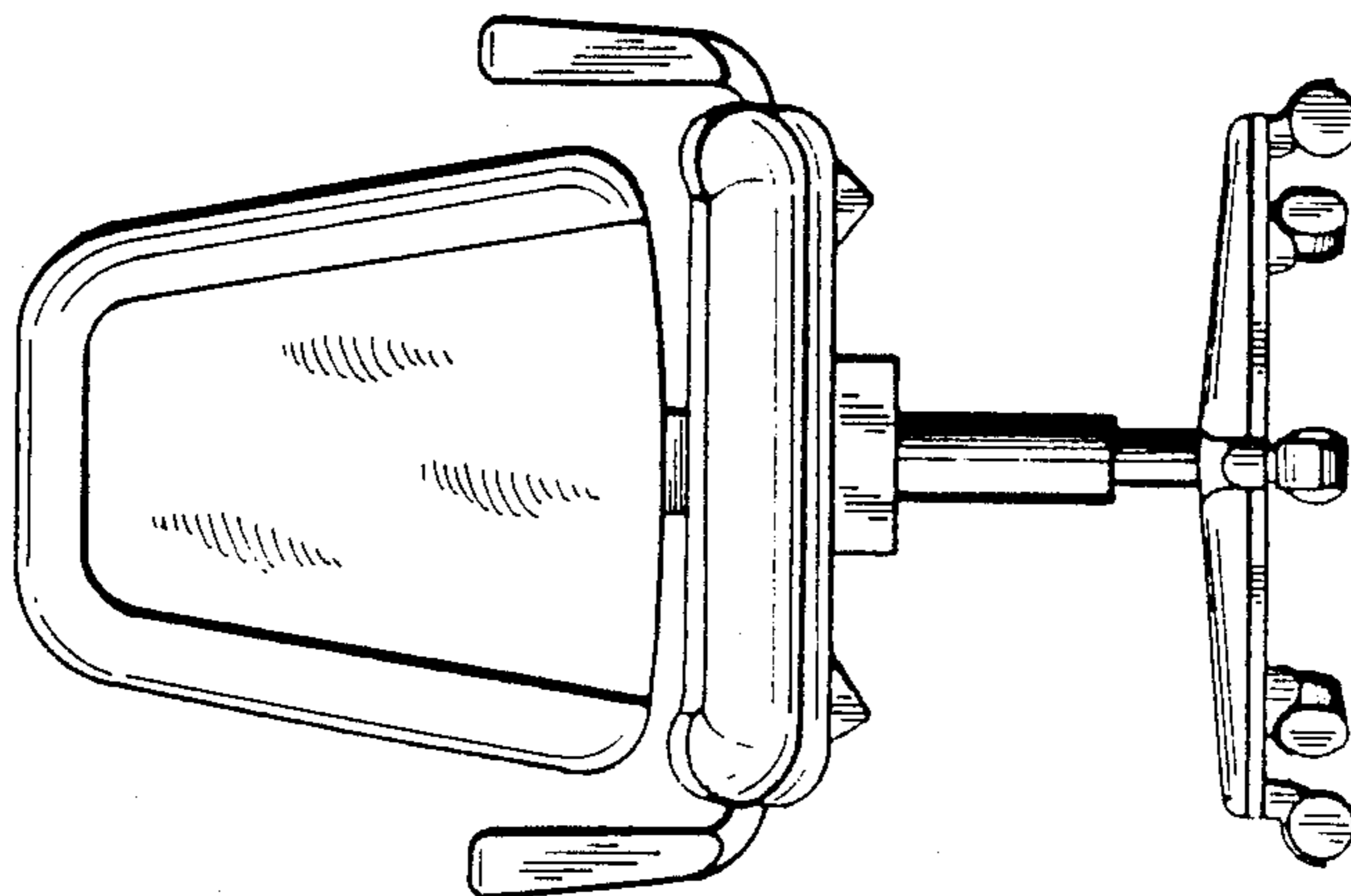


Fig. 19



UNITED STATES PATENT AND TRADEMARK OFFICE  
**CERTIFICATE OF CORRECTION**

PATENT NO. : Des. 295,925  
DATED : May 31, 1988  
INVENTOR(S) : Claus Uredat-Neuhoff

It is certified that error appears in the above-identified patent and that said Letters Patent is hereby corrected as shown below:

On the title page, after line [30],

"Oct. 15, 1984 [DE] Fed. Rep. of Germany... 73 AR

Should read

-- Oct. 15, 1984 [DE] Fed. Rep. of Germany... 73 AR 677/84--

**Signed and Sealed this  
First Day of November, 1988**

*Attest:*

*Attesting Officer*

DONALD J. QUIGG

*Commissioner of Patents and Trademarks*