

[54] DUST MOP FRAME

[75] Inventors: Theron C. Moss; William H. Kenney, both of Cleveland; Earl V. Boring, Jr., McDonald; H. Edwin Cross, Sr.; John H. Ruston, both of Cleveland, all of Tenn.

[73] Assignee: Seco Industries, Inc., Cleveland, Tenn.

[**] Term: 14 Years

[21] Appl. No.: 818,020

[22] Filed: Jan. 13, 1986

[52] U.S. Cl. D32/50

[58] Field of Search D32/50, 51, 52; 15/147 R, 147 A, 147 B, 144 R, 228, 229 R, 229 A, 229 AC, 229 AP, 229 B, 229 BC, 229 BP

[56] References Cited

U.S. PATENT DOCUMENTS

- D. 204,662 5/1966 Benjamin D32/50
- D. 213,217 1/1969 Littleton D32/50
- D. 250,245 11/1978 Bebb D32/50
- D. 277,039 1/1985 Miyoshi et al. D32/50

- 3,029,454 4/1962 Short et al. 15/147 R
- 3,704,480 12/1972 Whitaker 15/144 R
- 3,711,886 1/1973 Strauss 15/229 BP
- 3,775,802 12/1973 Grassman et al. 15/147 A
- 4,165,550 8/1979 Burke 15/229 BP
- 4,580,307 4/1986 Moss 15/228 X

FOREIGN PATENT DOCUMENTS

- 2611615 9/1977 Fed. Rep. of Germany ... 15/229 BP
- 292760 6/1928 United Kingdom 15/147 A

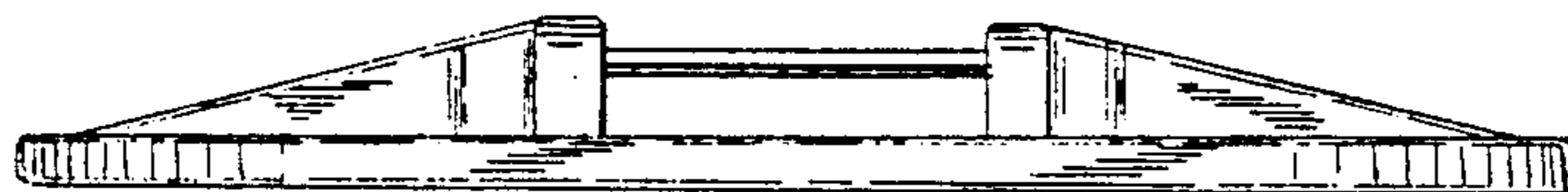
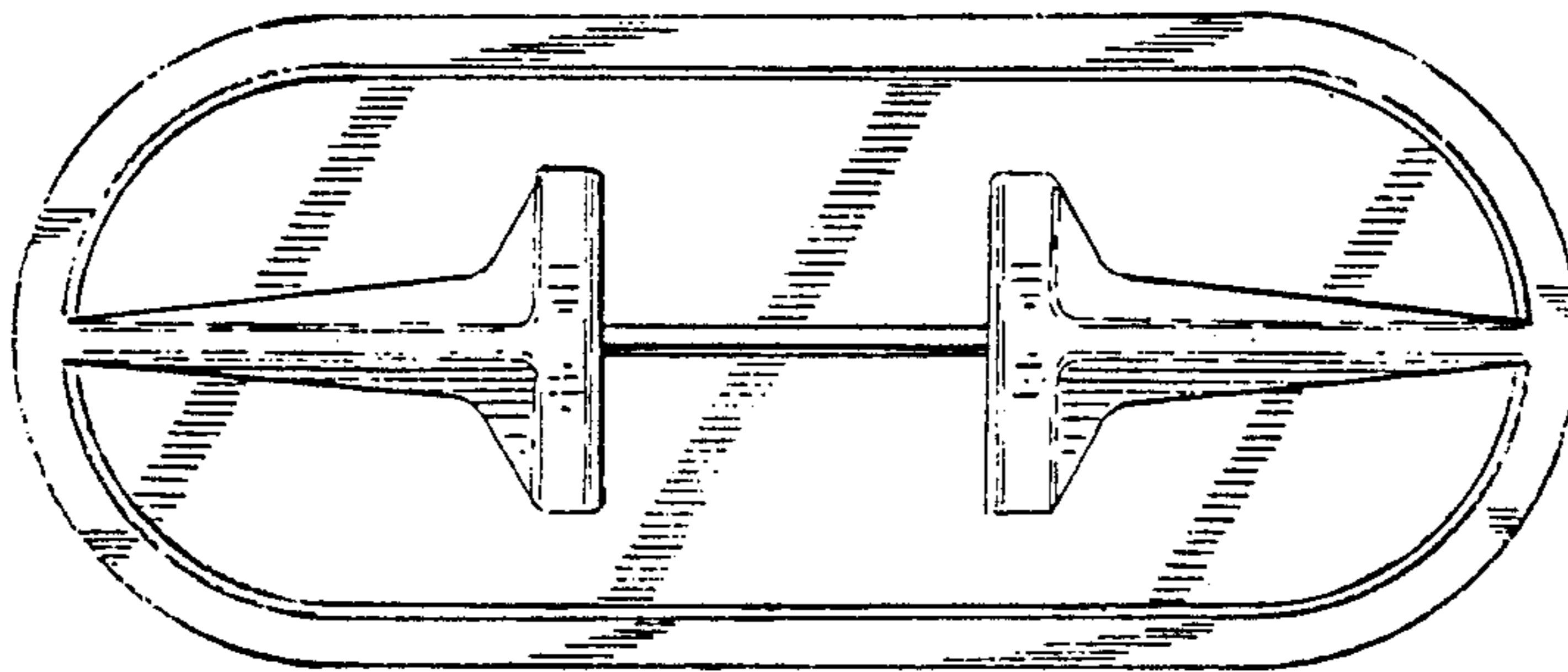
Primary Examiner—Catherine E. Kemper
Attorney, Agent, or Firm—Renner, Otto, Boisselle & Lyon

[57] CLAIM

The ornamental design for a dust mop frame, substantially as shown and described.

DESCRIPTION

FIG. 1 is a top plan view of the dust mop frame showing our new design;
FIG. 2 is a side elevation view of one side thereof, the other side being identical thereto;
FIG. 3 is an end elevation view from the left end thereof, the right end being identical thereto; and
FIG. 4 is a bottom plan view thereof.



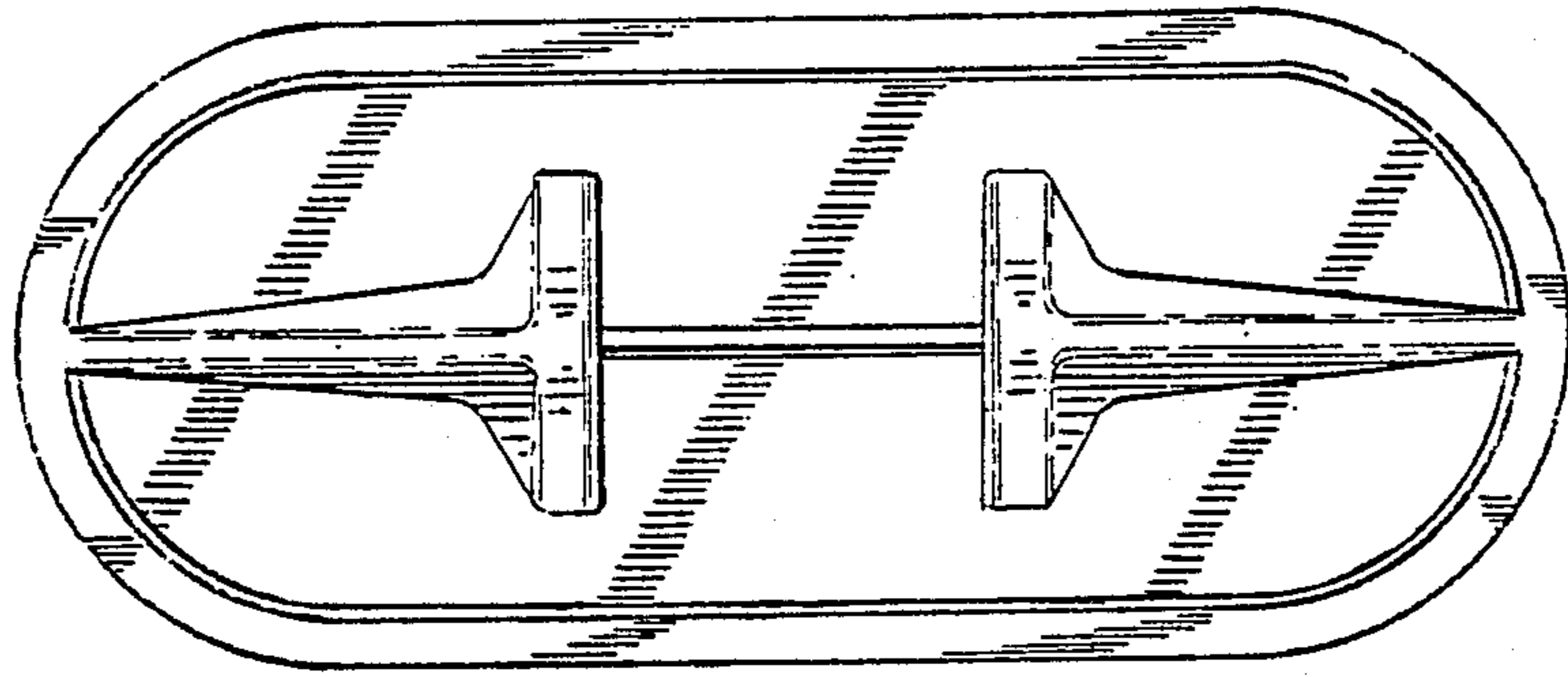


FIG. 1

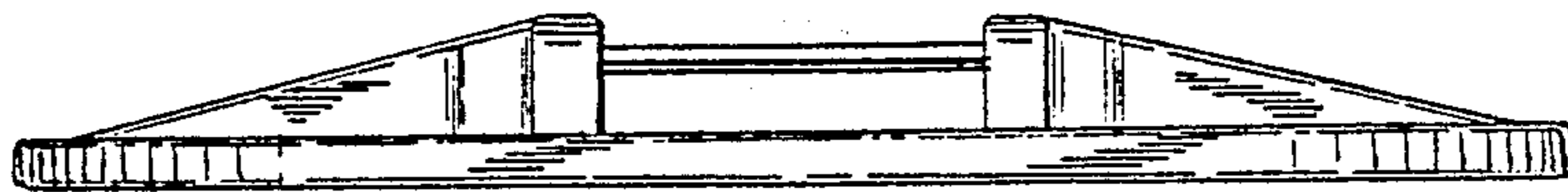


FIG. 2

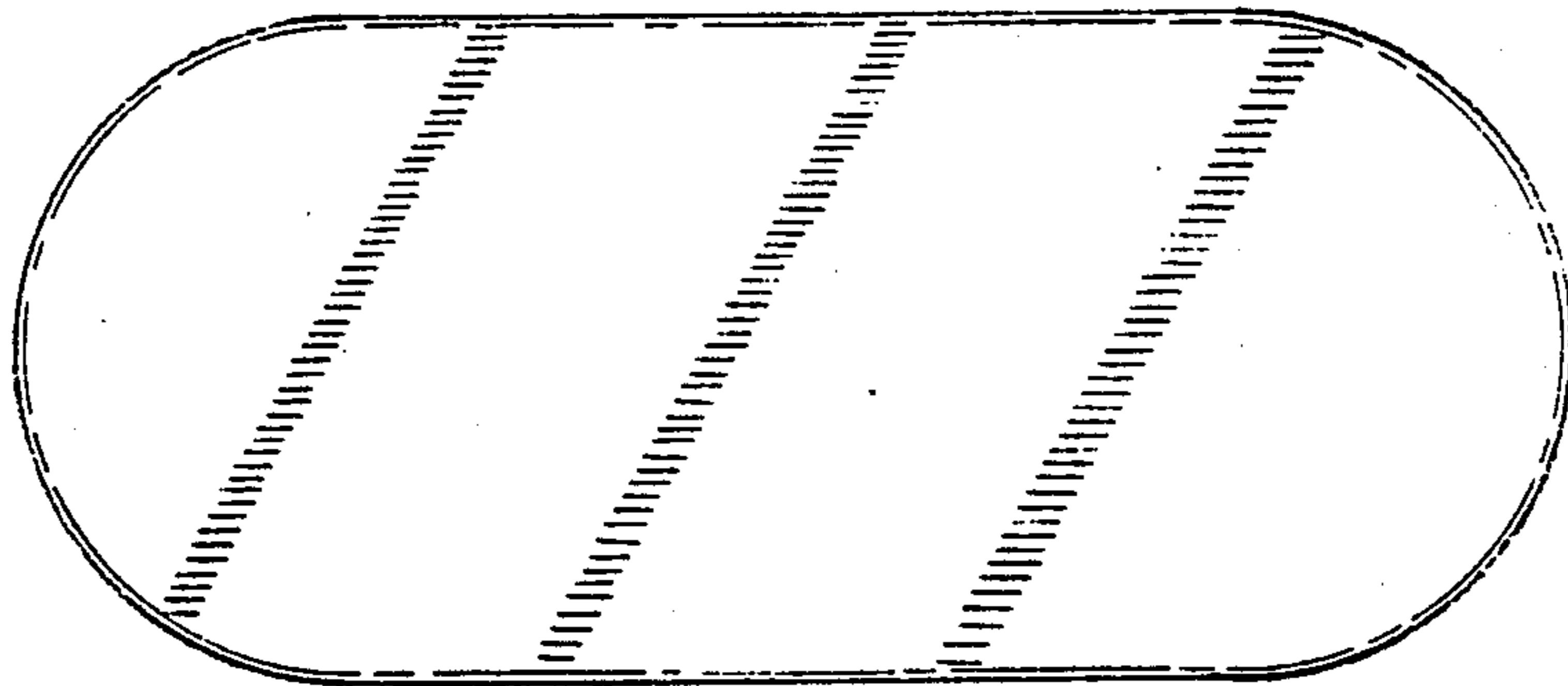


FIG. 4



FIG. 3