

[54] WRINGER MOP HEAD

[75] Inventors: David A. Jones, Dayton; William J. O'Neil, Jr., Cincinnati, both of Ohio

[73] Assignee: The Drackett Company, Cincinnati, Ohio

[**] Term: 14 Years

[21] Appl. No.: 852,914

[22] Filed: Apr. 16, 1986

[52] U.S. Cl. D32/44; D32/51

[58] Field of Search D32/44, 51; 15/116 R, 15/116 A, 119 R, 119 A, 244, 147

[56] References Cited

U.S. PATENT DOCUMENTS

D. 280,769	9/1985	Johnson et al.	D32/44
2,794,198	6/1957	Rogers	15/116 A
4,491,998	1/1985	Wilson et al.	15/119 A
4,604,767	8/1986	Burkhart et al.	15/119 A

FOREIGN PATENT DOCUMENTS

1167102	7/1958	France	15/116 A
724871	2/1955	United Kingdom	15/116 A
786683	11/1957	United Kingdom	15/116 A

Primary Examiner—Catherine E. Kemper
Attorney, Agent, or Firm—Gene Warzecha

[57] CLAIM

The ornamental design for a wringer mop head, substantially as shown and described.

DESCRIPTION

FIG. 1 shows a perspective view of a wringer mop head showing our new design.

FIG. 2 is a top plan view thereof.

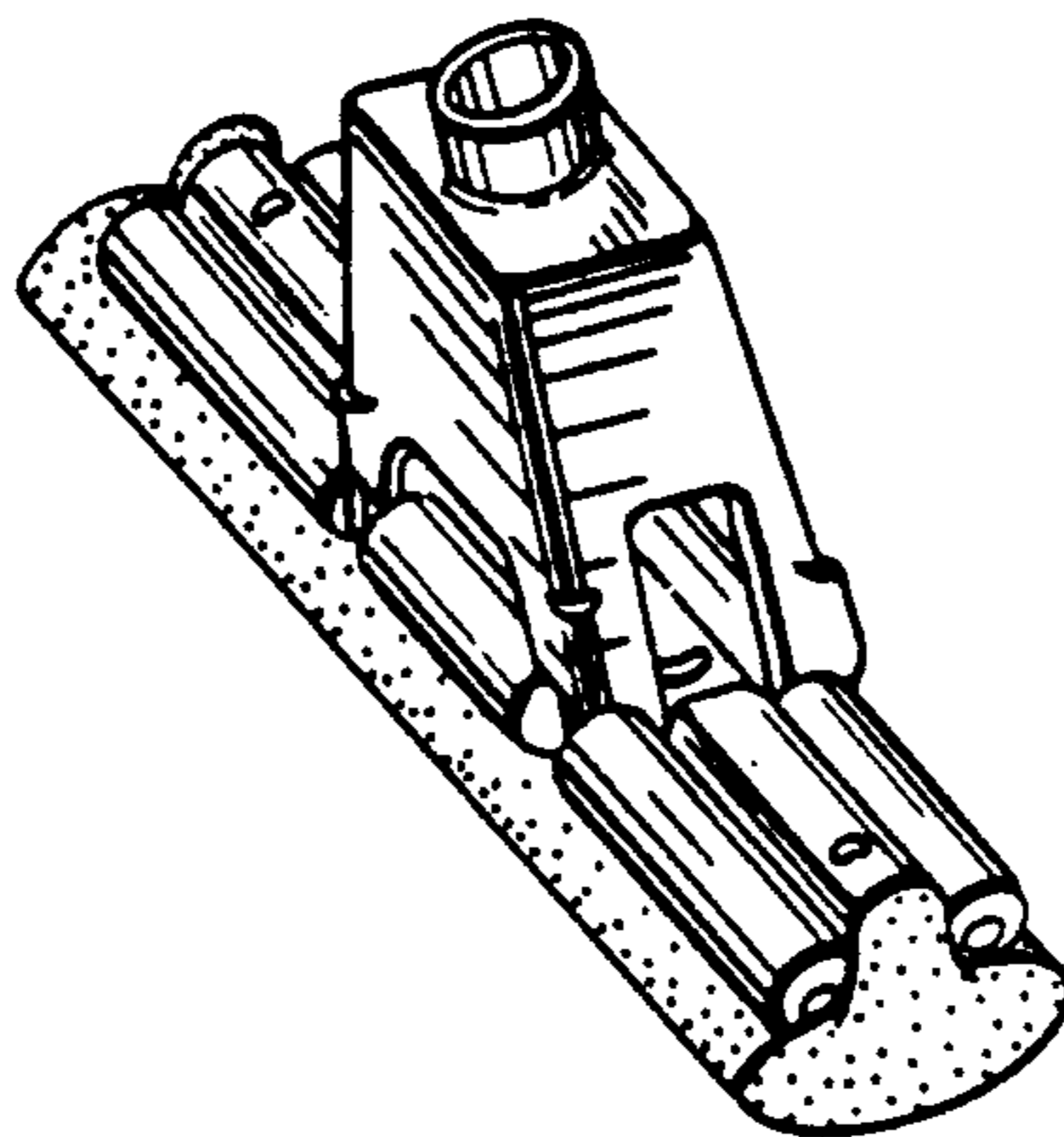
FIG. 3 is a rear elevational view thereof.

FIG. 4 is a left side elevational view thereof.

FIG. 5 is a front elevational view thereof.

FIG. 6 is a right side elevational view thereof.

FIG. 7 is a bottom plan view thereof.



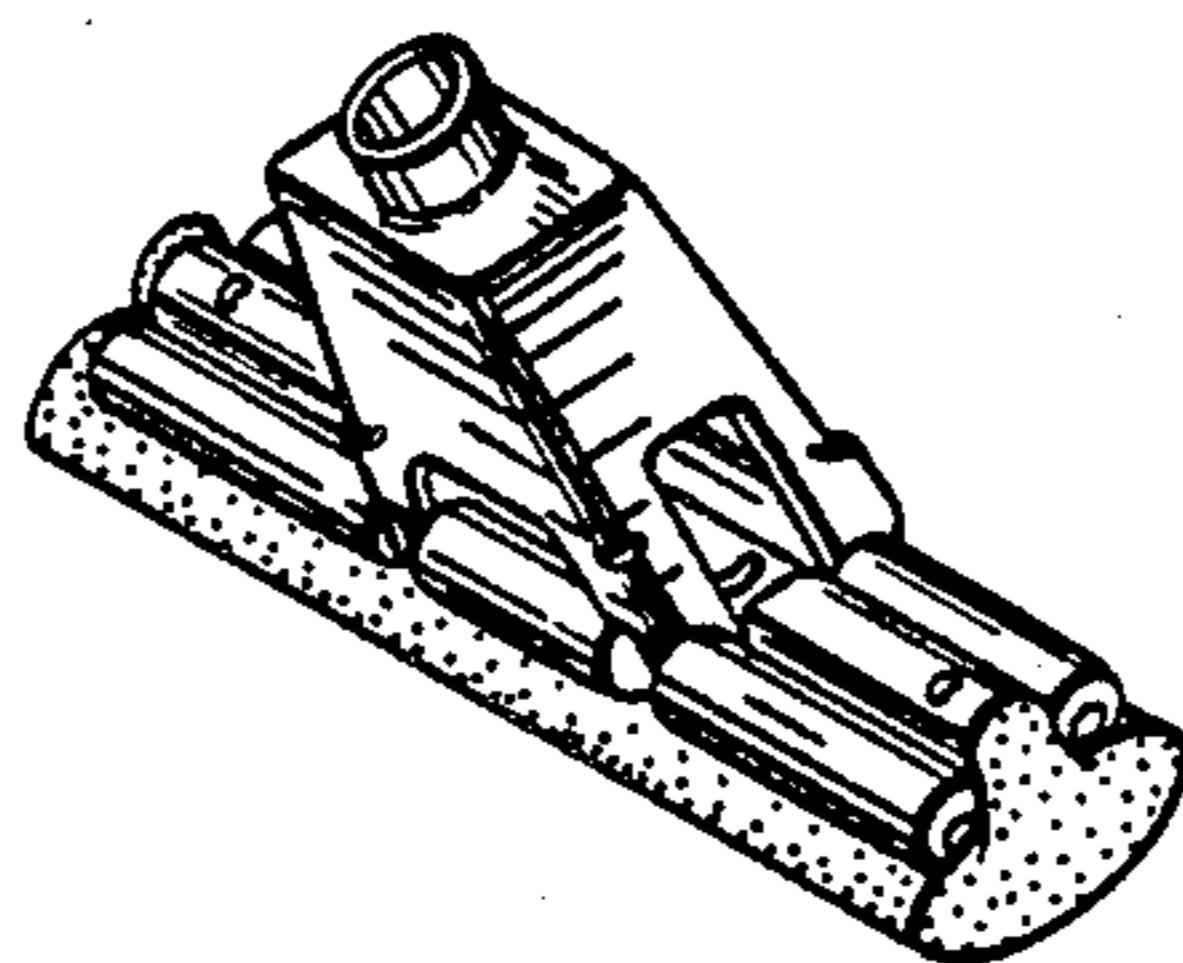


FIG. 1

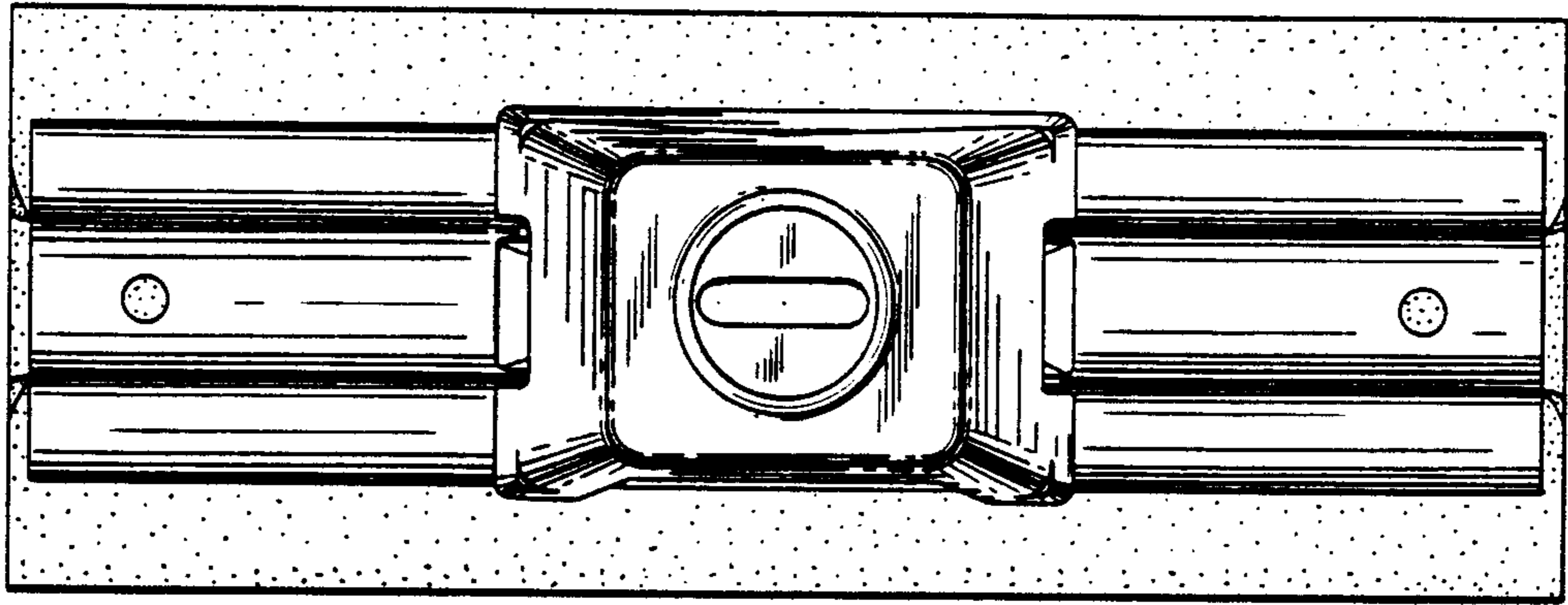


FIG. 2

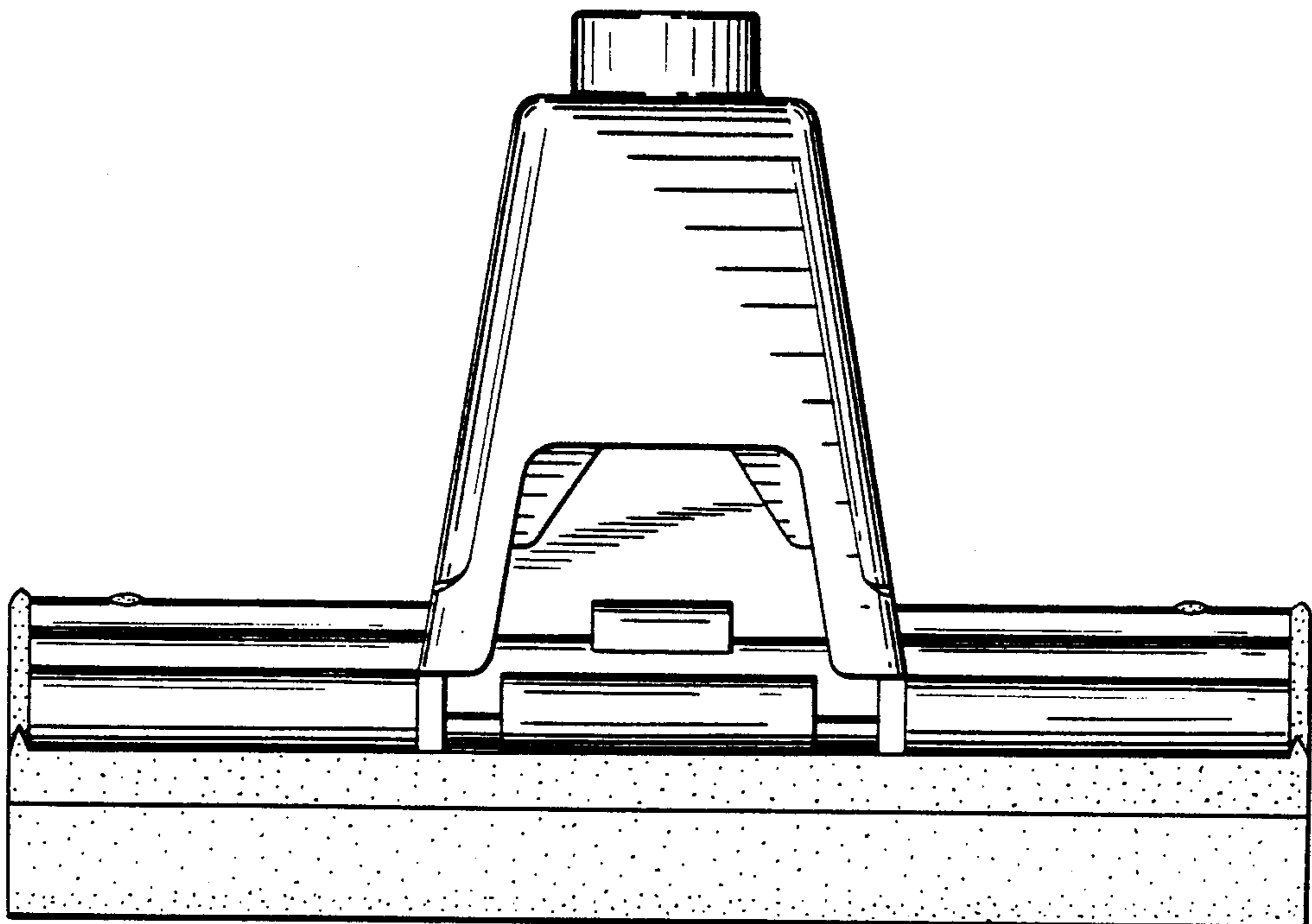


FIG. 3

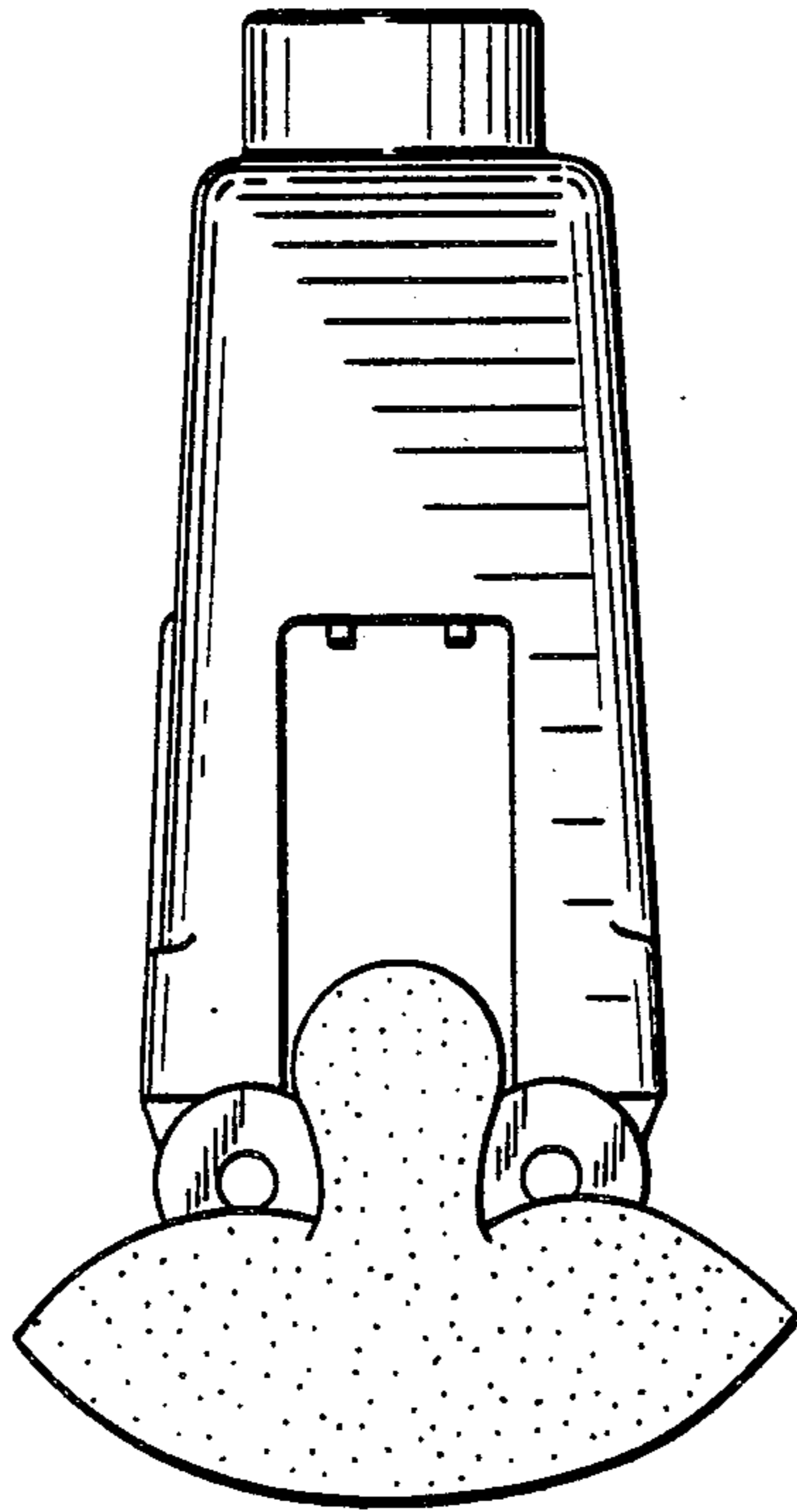


FIG. 4

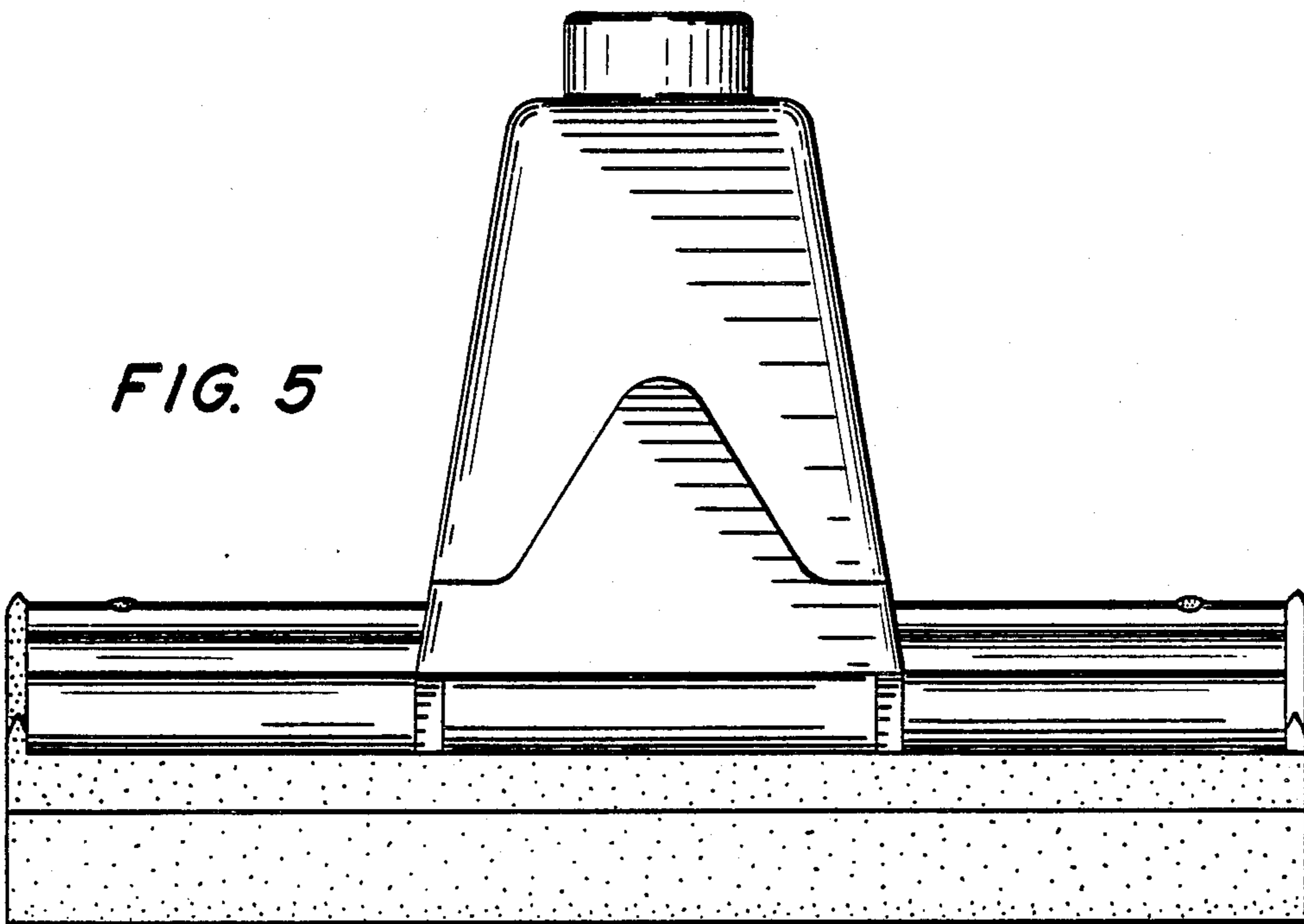


FIG. 5

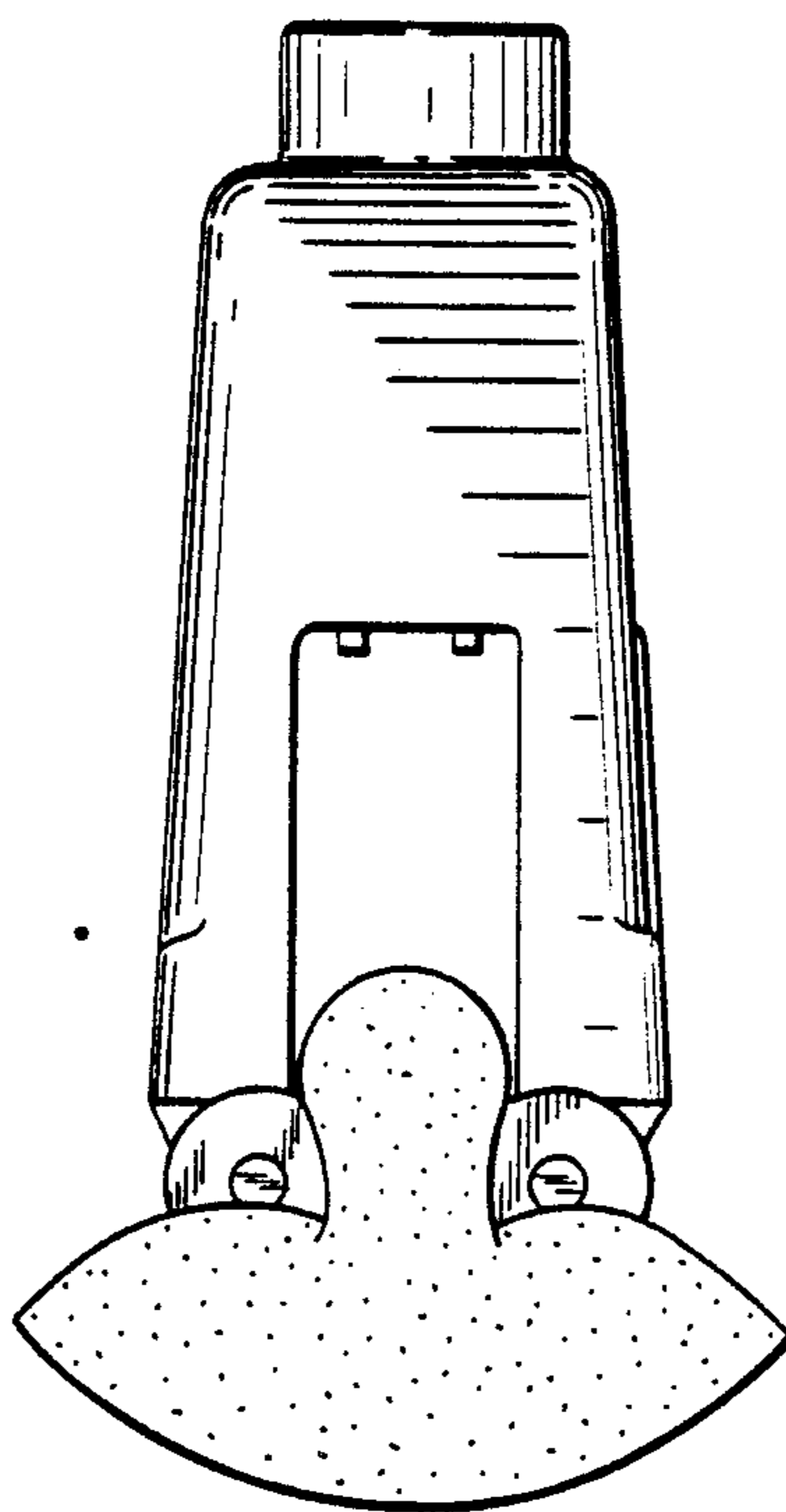


FIG. 6

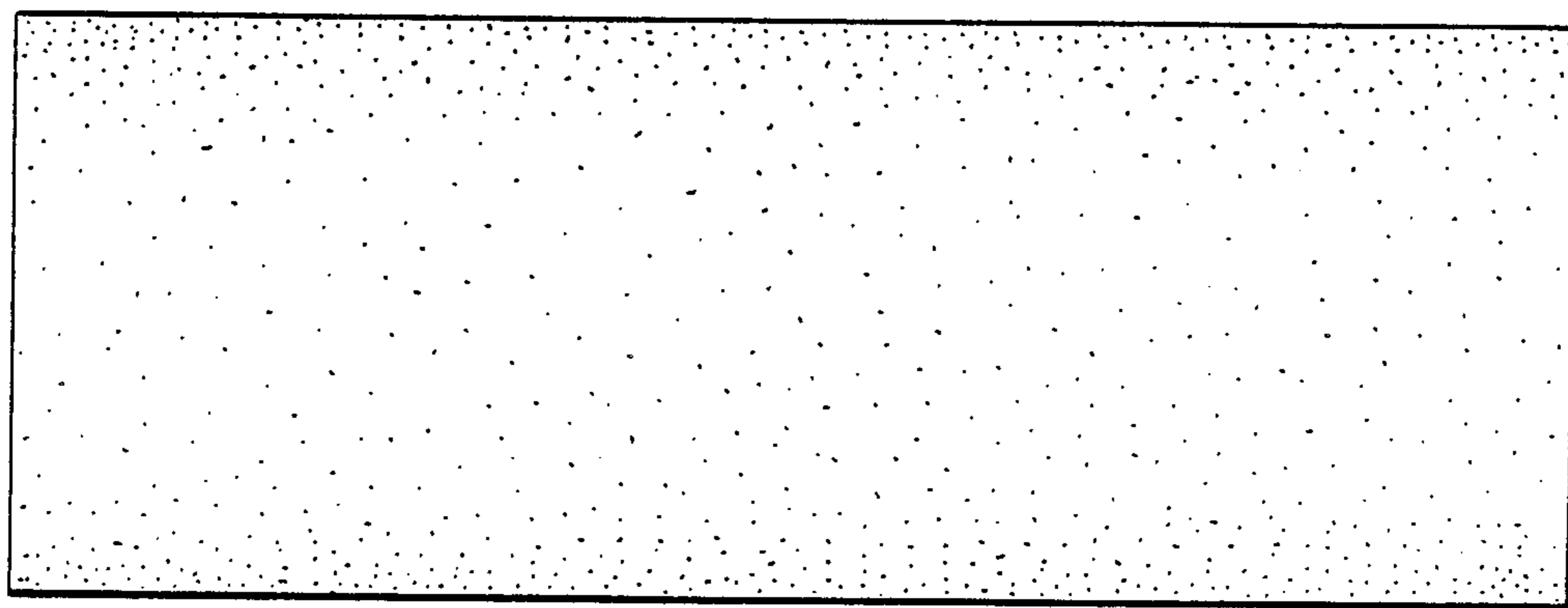


FIG. 7