

[54] WRINGER MOP HEAD WITH SCRUBBER

[75] Inventors: David A. Jones, Dayton; William J. O'Neil, Jr., Cincinnati, both of Ohio

[73] Assignee: The Drackett Company, Cincinnati, Ohio

[**] Term: 14 Years

[21] Appl. No.: 845,080

[22] Filed: Mar. 19, 1986

[52] U.S. Cl. D32/44; D32/50

[58] Field of Search D32/50, 51, 44; 15/116 R, 116 A, 119 R, 119 A, 244

[56] References Cited

U.S. PATENT DOCUMENTS

| | | | |
|------------|--------|----------------------|----------|
| D. 280,769 | 9/1985 | Johnson et al. | D32/44 |
| 2,794,198 | 6/1957 | Rogers | 15/119 A |
| 4,491,998 | 1/1985 | Wilson et al. | 15/119 A |
| 4,604,767 | 8/1986 | Burkhart et al. | 15/119 A |

FOREIGN PATENT DOCUMENTS

| | | | |
|---------|---------|----------------------|----------|
| 1167102 | 7/1958 | France | 15/116 A |
| 724871 | 2/1955 | United Kingdom | 15/116 A |
| 786683 | 11/1957 | United Kingdom | 15/116 A |

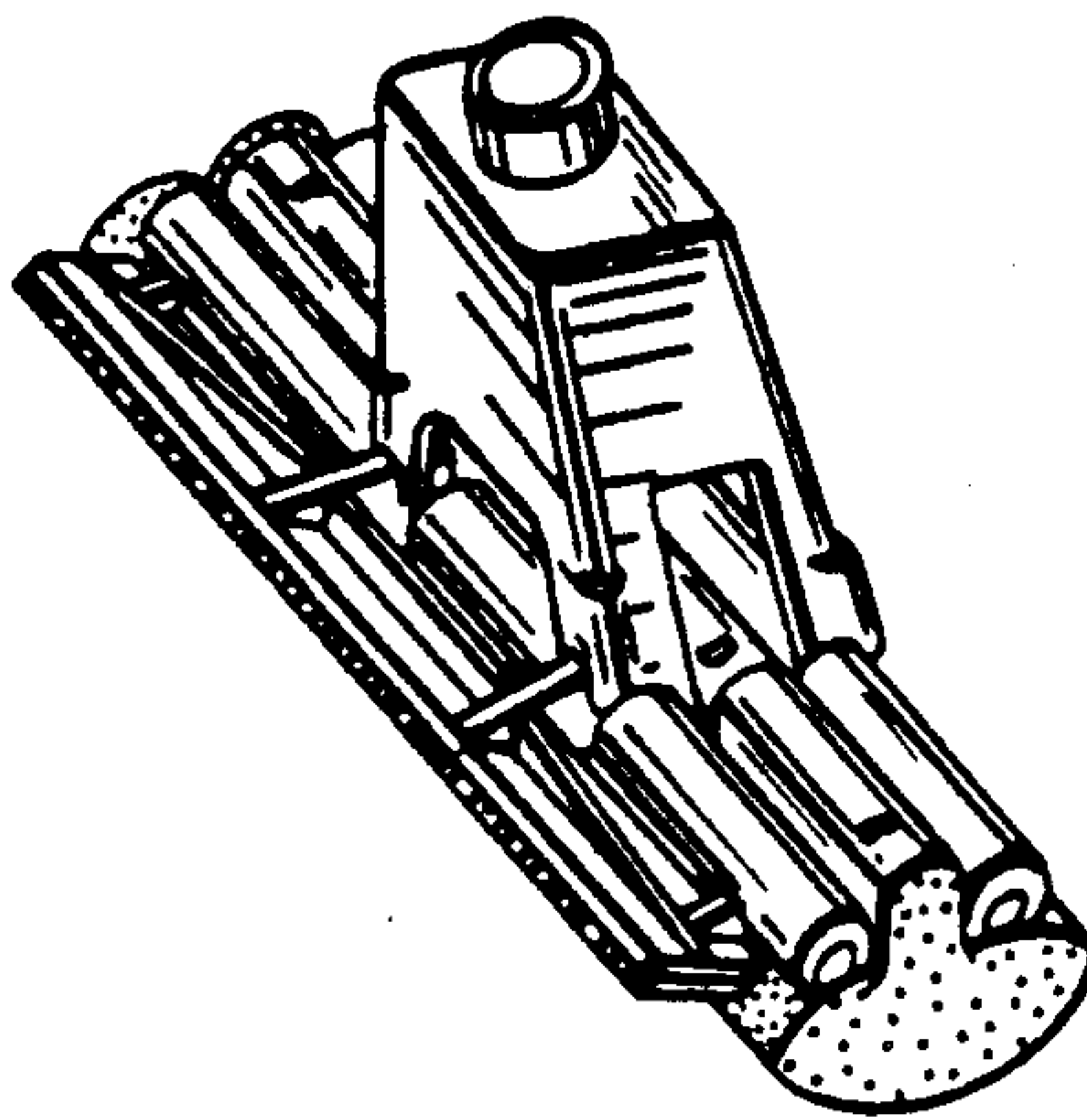
Primary Examiner—Catherine E. Kemper
Attorney, Agent, or Firm—Gene Warzecha

[57] CLAIM

The ornamental design for a wringer mop head with scrubber, substantially as shown and described.

DESCRIPTION

FIG. 1 is a perspective view of a wringer mop head with scrubber, showing our new design;
 FIG. 2 is a top plan view thereof.
 FIG. 3 is a rear elevational view thereof.
 FIG. 4 is a right side elevational view thereof.
 FIG. 5 is a front elevational view thereof.
 FIG. 6 is a left side elevational view thereof.
 FIG. 7 is a bottom plan view thereof.



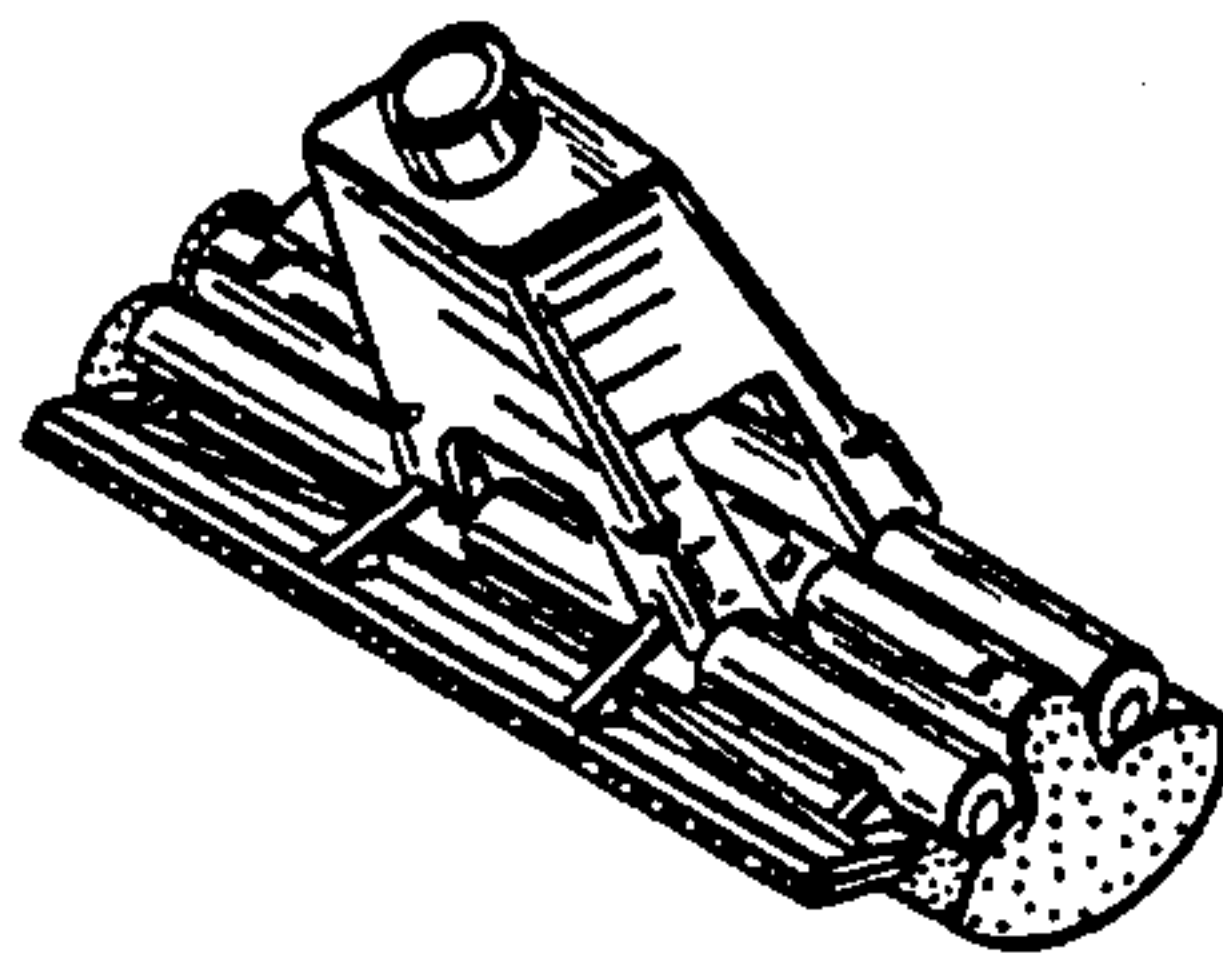


FIG. 1

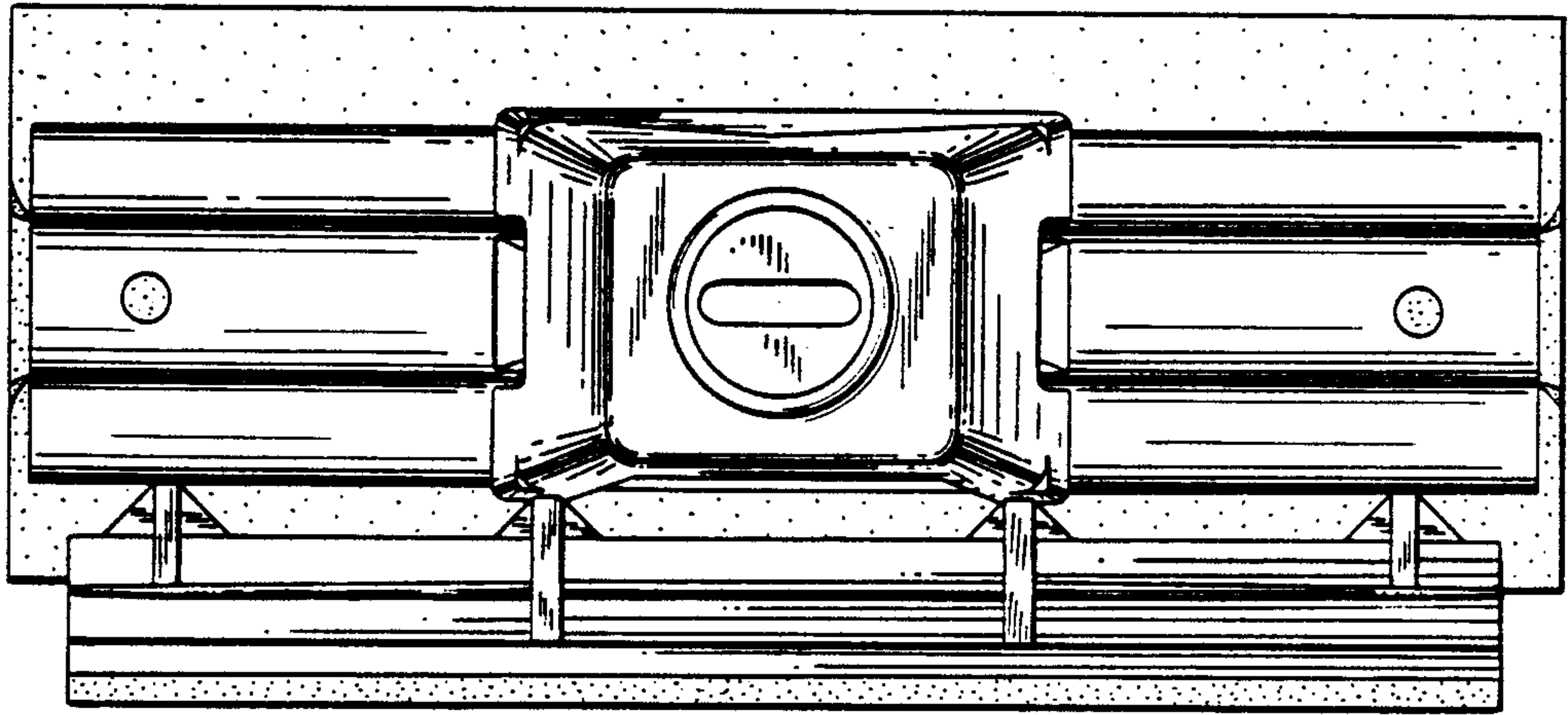


FIG. 2

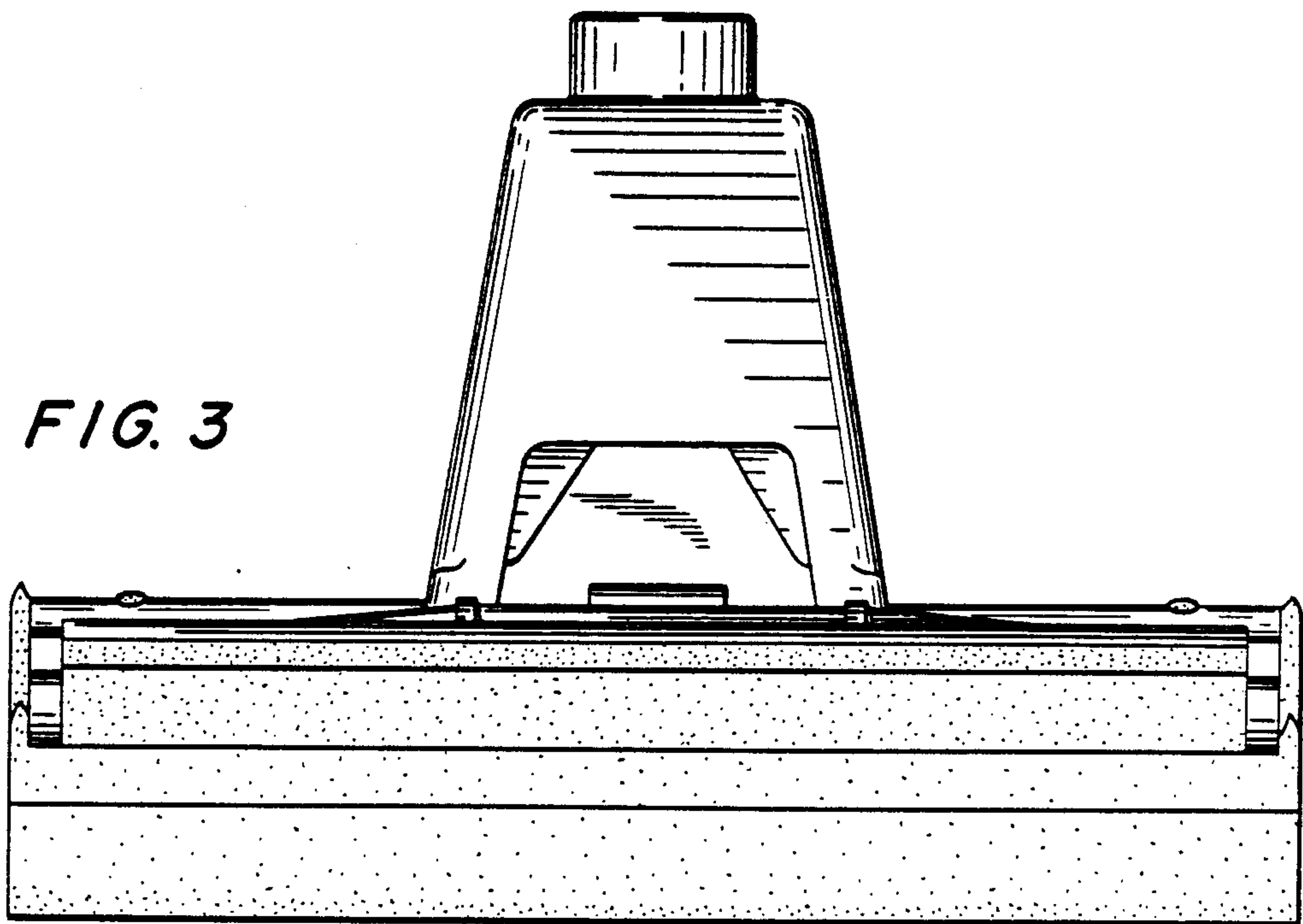


FIG. 3

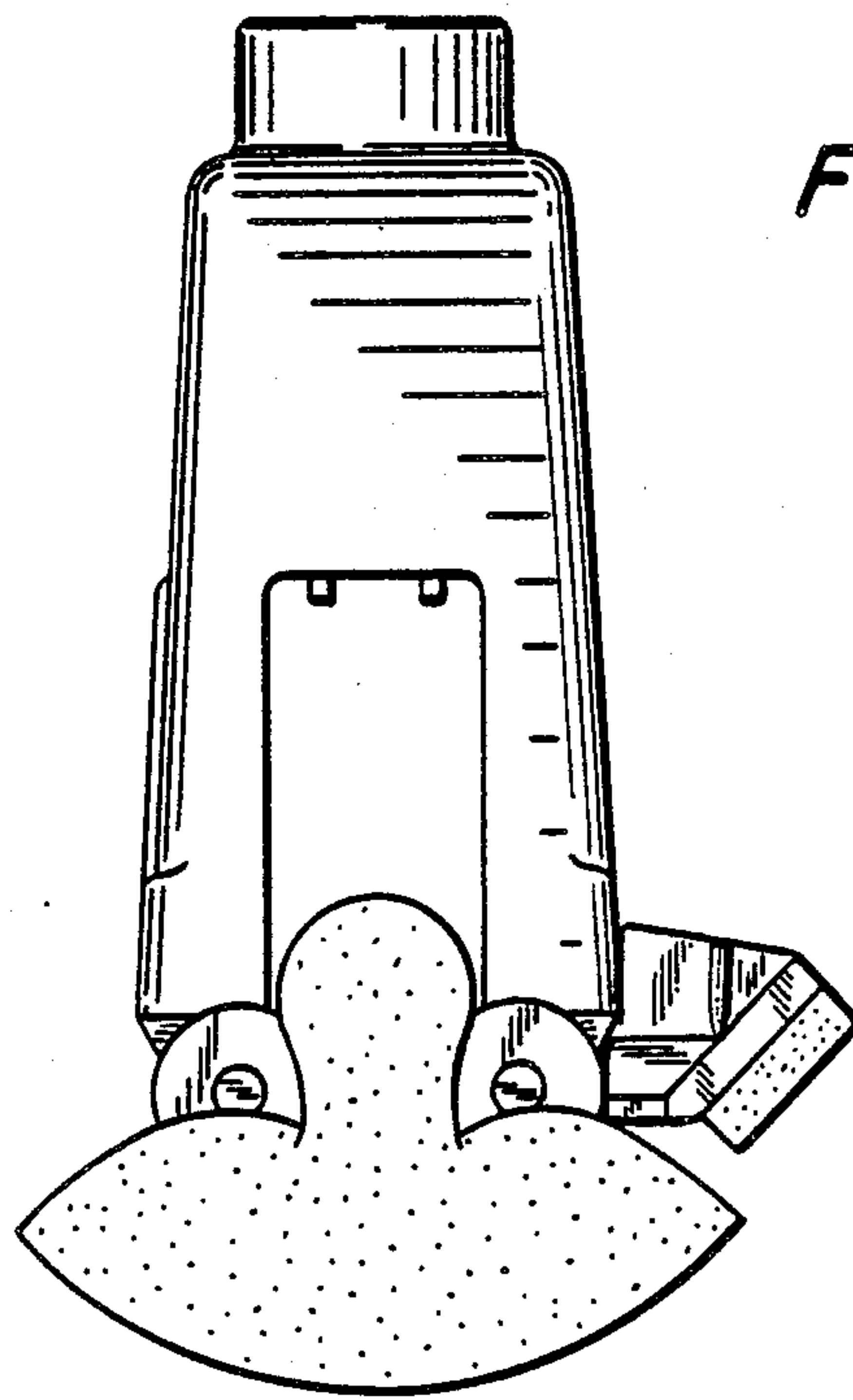


FIG. 4

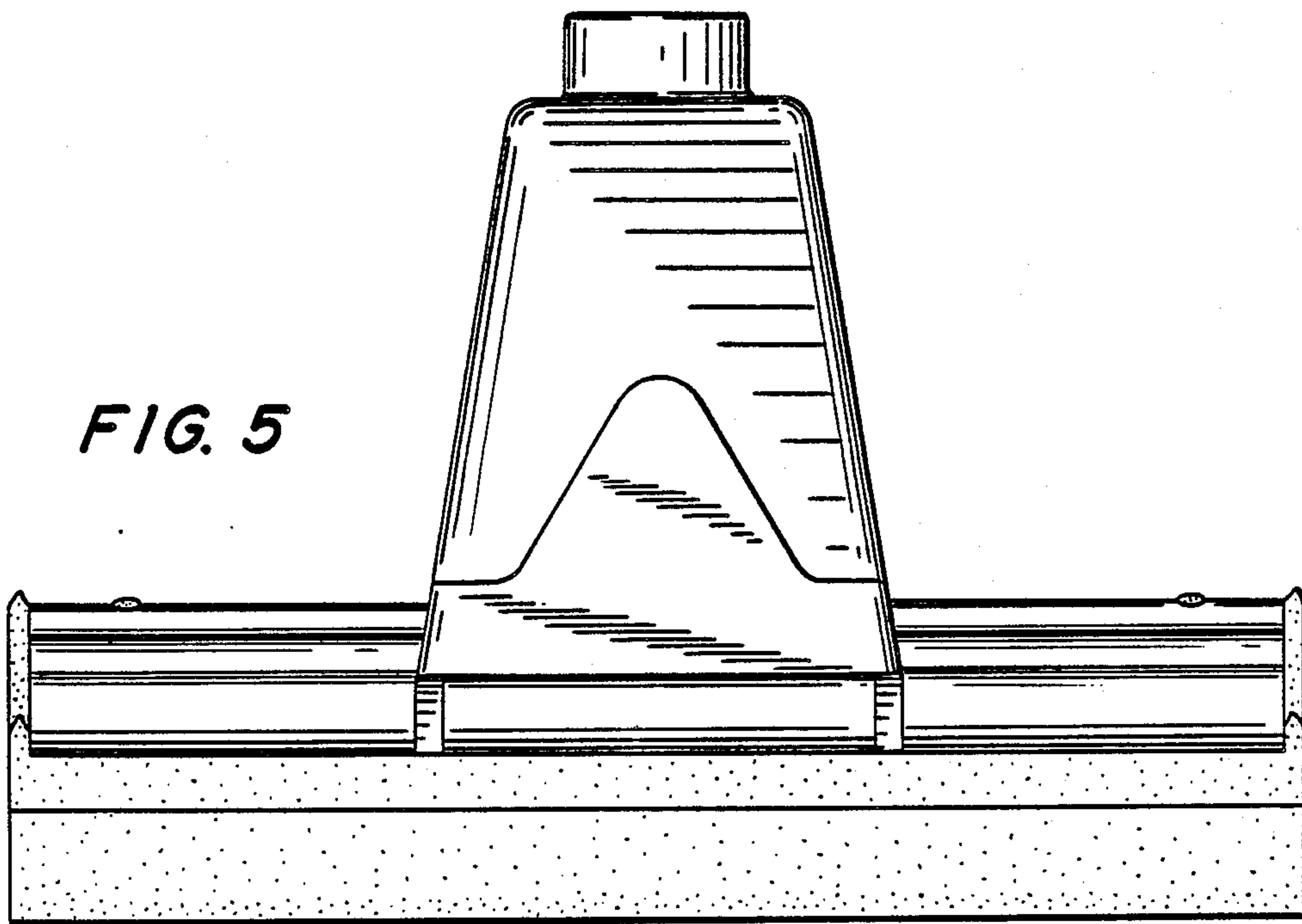


FIG. 5

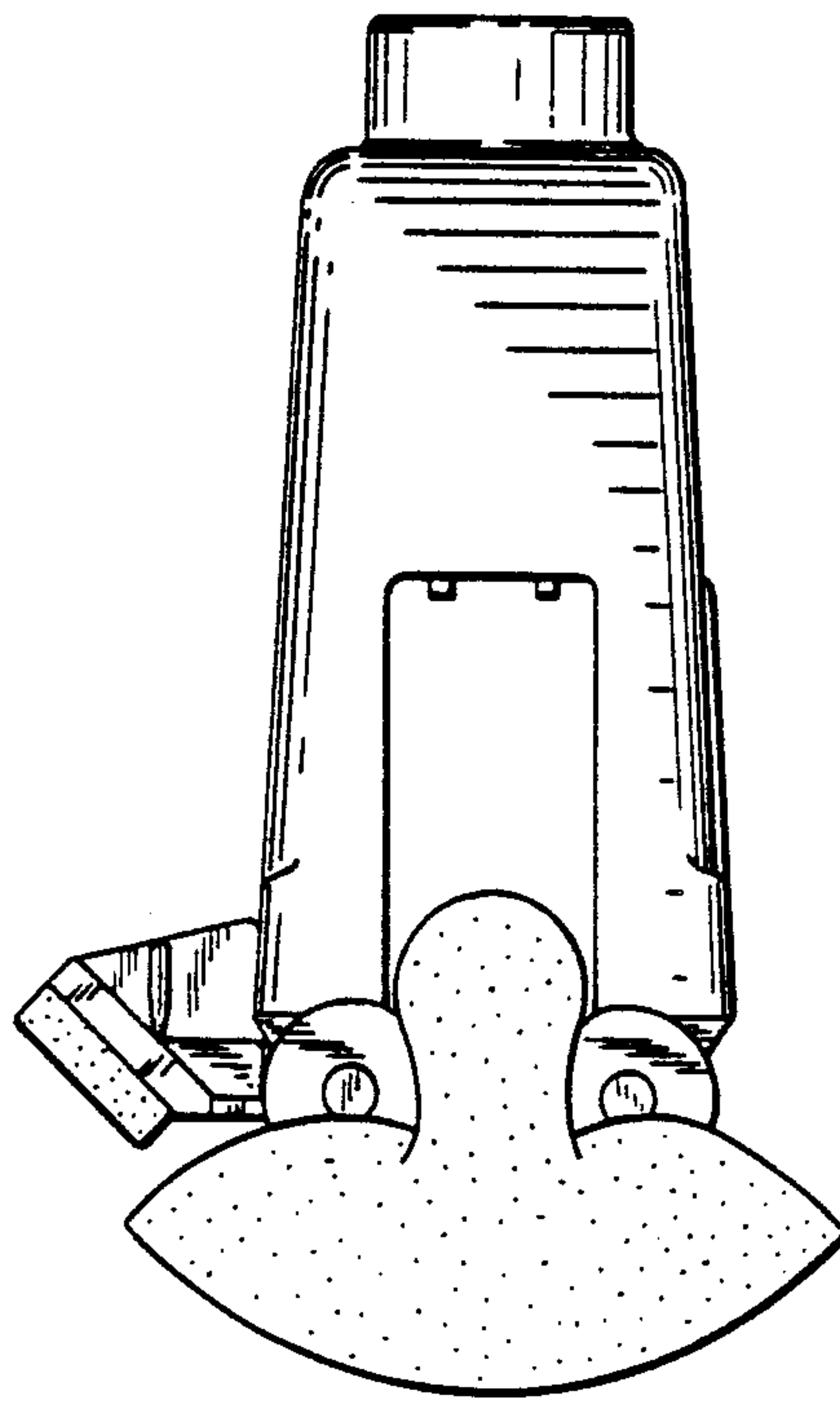


FIG. 6

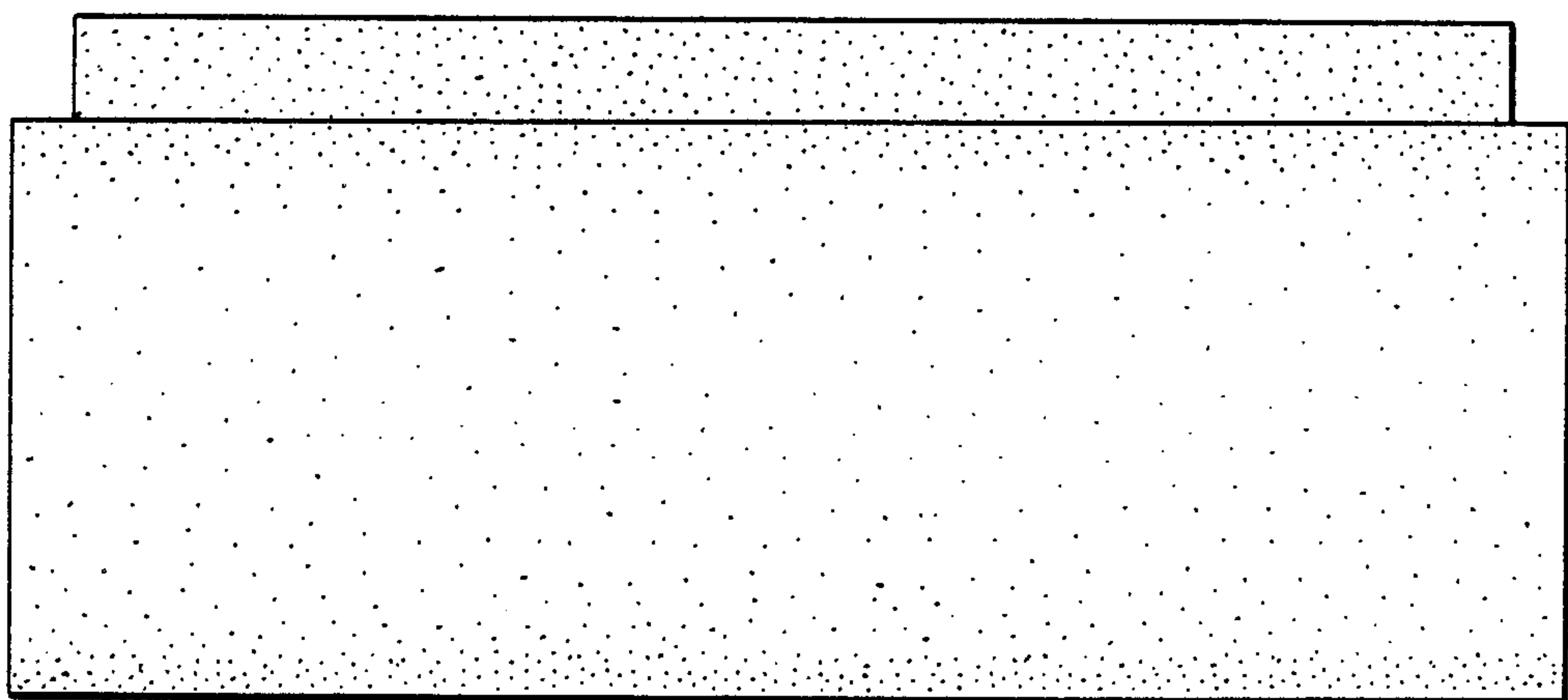


FIG. 7