

[54] CONTAINER FOR VACUUM CLEANER ACCESSORIES

[75] Inventor: Andrew C. Hill, Rocky Mount, N.C.

[73] Assignee: W. R. Grace & Co., Cryovac Div.,
Duncan, S.C.

[**] Term: 14 Years

[21] Appl. No.: 747,093

[22] Filed: Jun. 20, 1985

[52] U.S. Cl. D32/31

[58] Field of Search D9/345, 347, 418;
D32/25, 31; 206/372-373, 349, 362, 223;
15/323, 257 A; 211/65-66

[56] References Cited

U.S. PATENT DOCUMENTS

D. 226,822	5/1973	Haynes	D32/31
D. 231,201	4/1974	Bonfitto	D9/418
D. 272,572	2/1984	Parise	D32/31
2,825,087	3/1958	Meyerhoefer	15/323
2,829,778	4/1958	Carabet	206/373

3,550,182	12/1970	Kivela	15/323
3,872,538	3/1975	Crouser	15/323
4,460,085	7/1984	Jantzen	206/373

Primary Examiner—Wallace R. Burke
Assistant Examiner—Ruth Takemoto
Attorney, Agent, or Firm—John J. Toney; William D. Lee, Jr.; Mark B. Quatt

[57] CLAIM

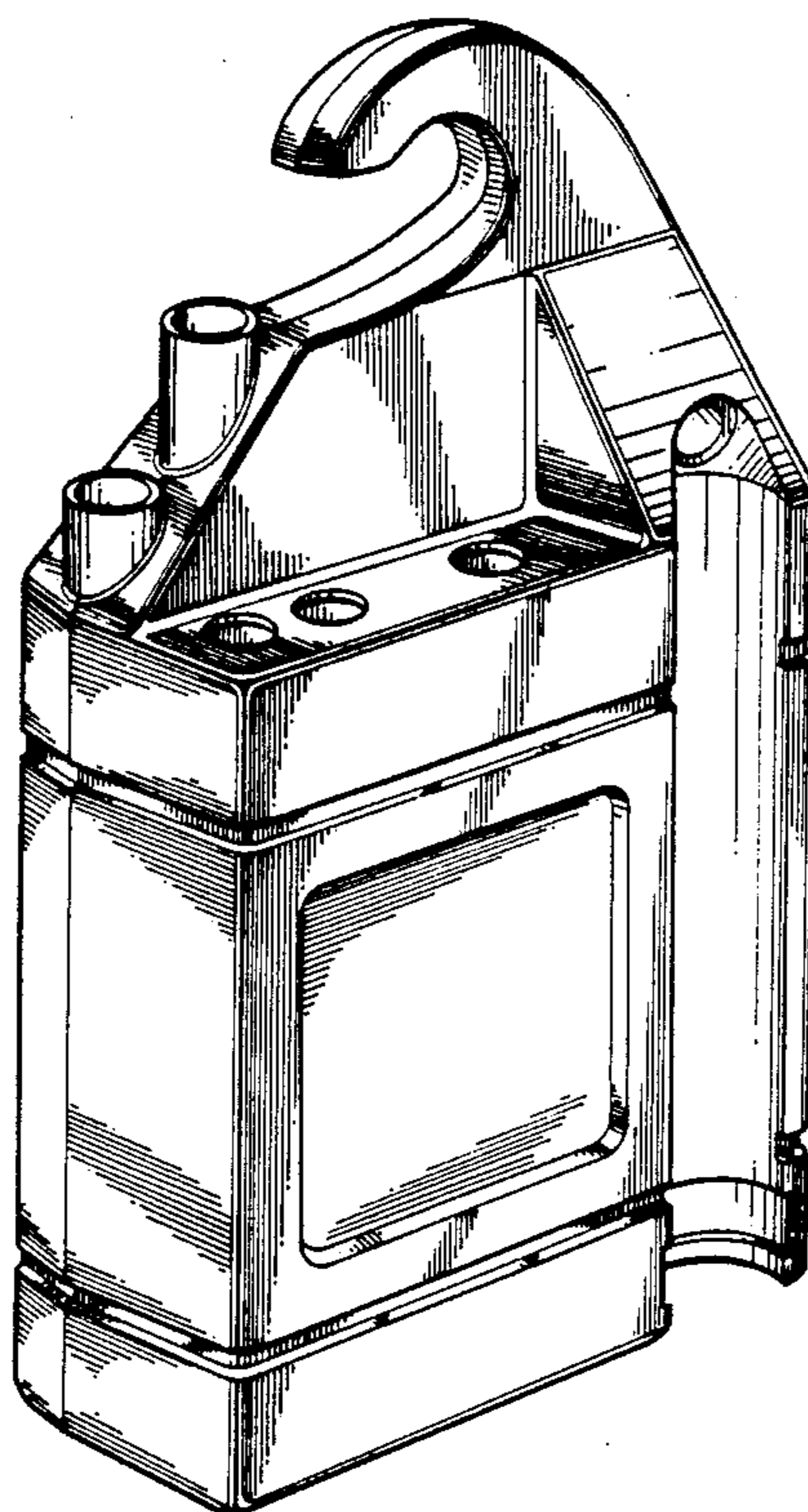
The ornamental design of a container for vacuum cleaner accessories, substantially as shown and described.

DESCRIPTION

FIG. 1 is a top, front and right side perspective view of a container for vacuum cleaner accessories showing my new design;

FIG. 2 is a right side elevational view thereof, the vacuum cleaner accessories shown in broken lines are for illustrative purposes only and form no part of the claimed design;

FIG. 3 is a left side elevational view thereof; and
FIG. 4 is a rear elevational view thereof.



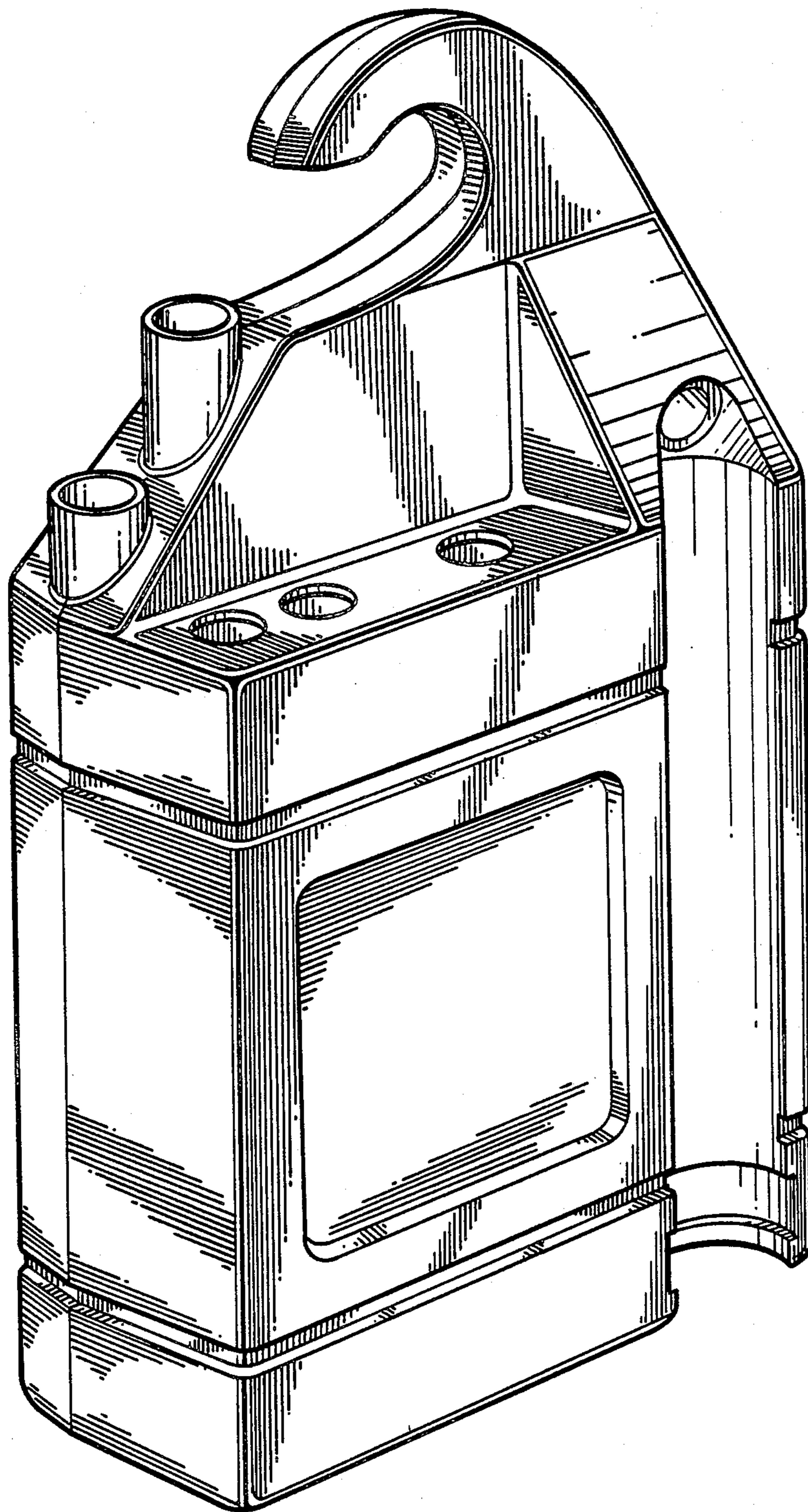


FIG. 1

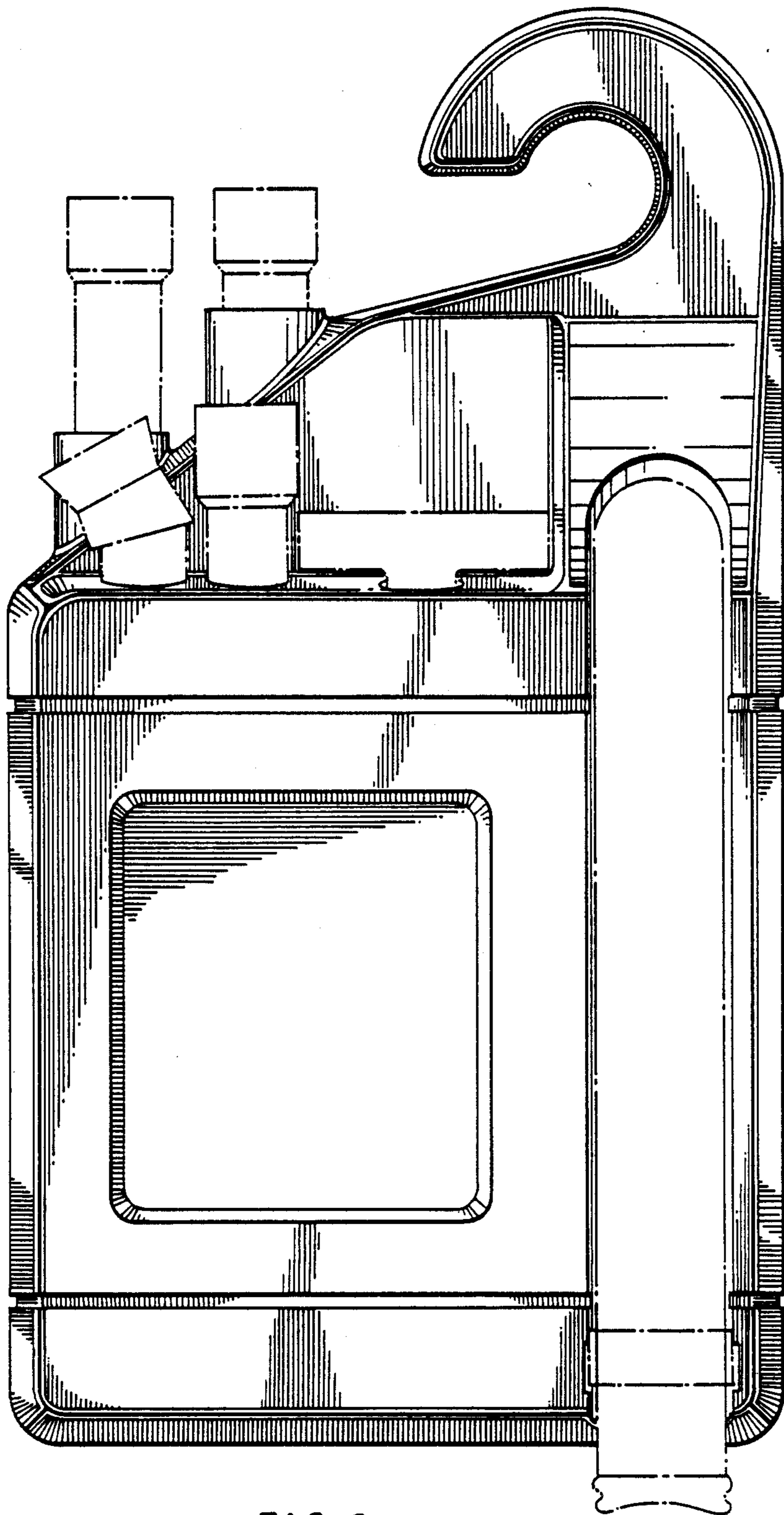


FIG. 2

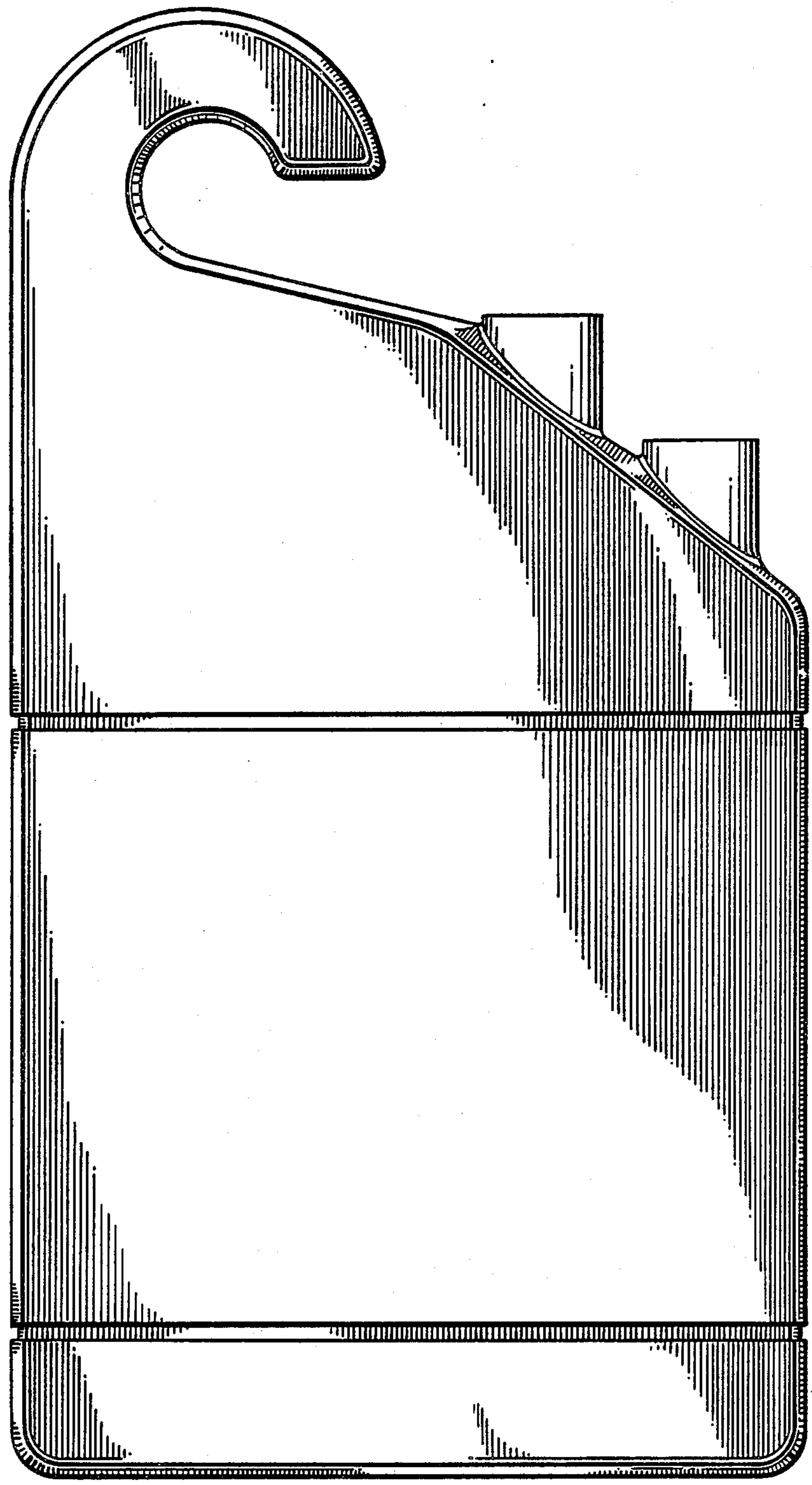


FIG. 3

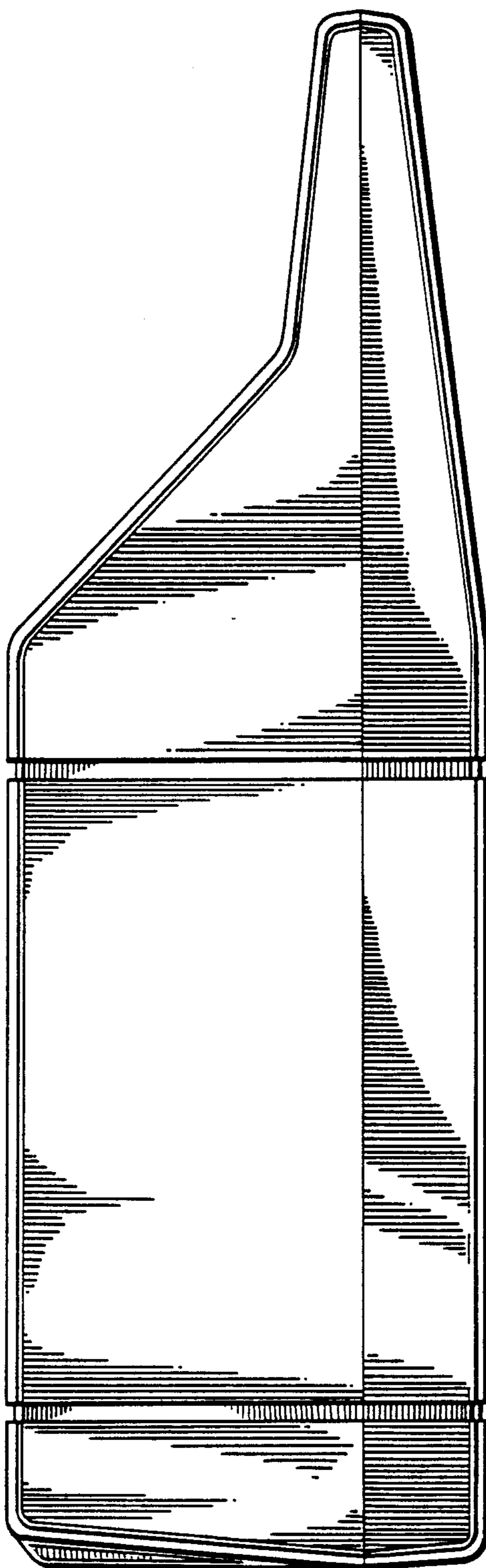


FIG. 4