

[54] HORSESHOE

[75] Inventor: V. Gail Decker, Valley View, Tex.

[73] Assignee: K & D Plastics, Gainsville, Tex.

[\*\*] Term: 14 Years

[21] Appl. No.: 718,735

[22] Filed: Apr. 1, 1985

[52] U.S. Cl. .... D30/147

[58] Field of Search ..... D30/35, 36; 168/1, 4, 168/11, 12, 16, 18, 19, 20, 29, DIG. 1

[56] References Cited

U.S. PATENT DOCUMENTS

D. 285,499	9/1986	Nakanishi	.....	D30/35
1,218,901	3/1917	Saxton	.....	168/18
3,236,310	2/1966	Quick	.....	168/18
3,794,119	2/1974	Paiso et al.	.....	168/18
4,205,726	6/1980	Spencer	.....	168/4
4,265,314	5/1981	Tovim	.....	168/4
4,470,466	9/1984	Nakanishi	.....	168/18

FOREIGN PATENT DOCUMENTS

1177870 9/1964 Fed. Rep. of Germany ..... 168/4  
8400094 1/1984 World Int. Prop. O. .... 168/18

Primary Examiner—James R. Largen  
Attorney, Agent, or Firm—H. Mathews Garland

[57] CLAIM

The ornamental design for a horseshoe, as shown and described.

DESCRIPTION

FIG. 1 is a perspective view of a horseshoe showing my new design;

FIG. 2 is an enlarged top perspective view thereof;

FIG. 3 is a right side elevational view thereof, the left side being mirror of the right side shown;

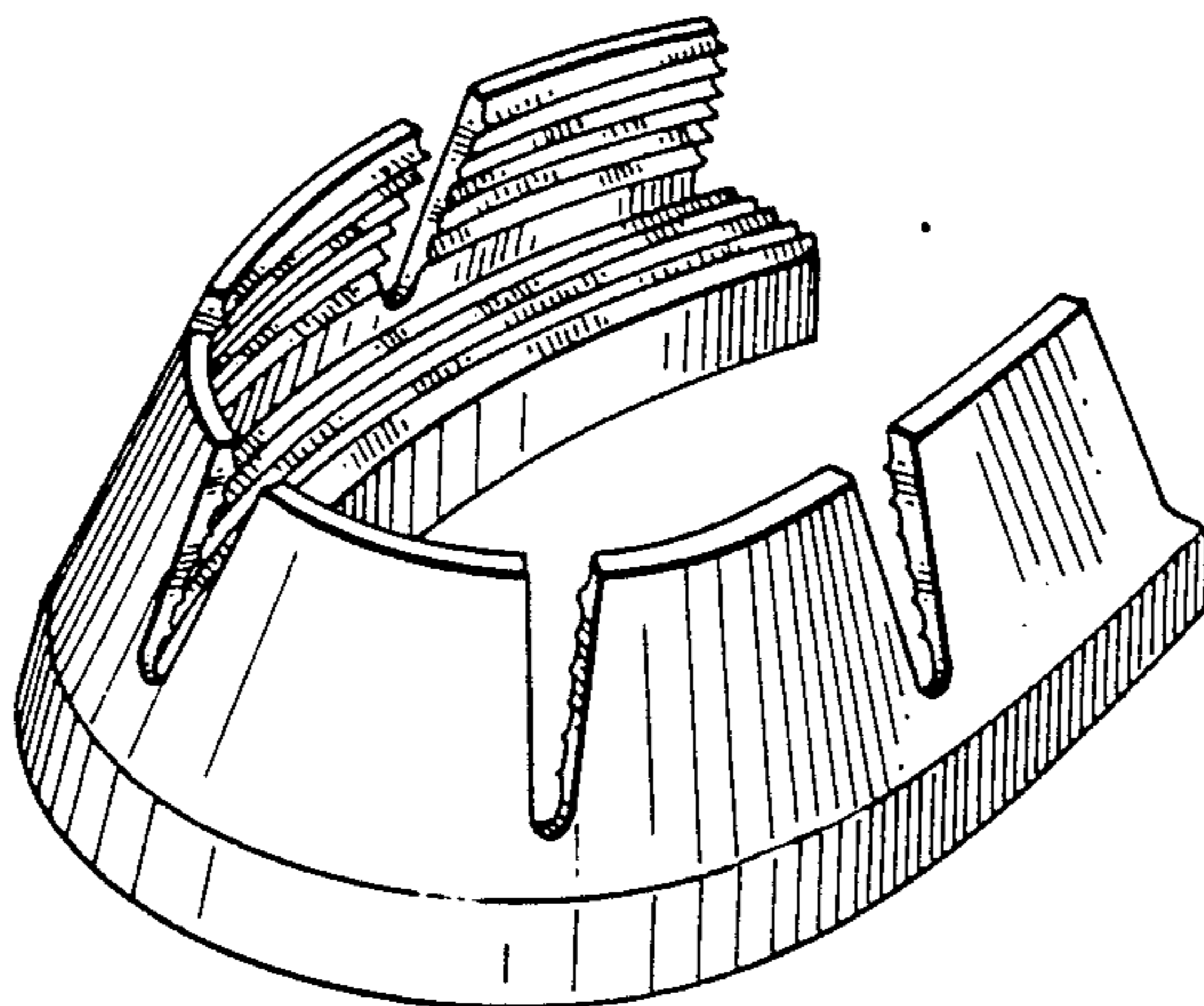
FIG. 4 is a front elevational view thereof;

FIG. 5 is a rear elevational view thereof;

FIG. 6 is a top plan view thereof;

FIG. 7 is a bottom plan view thereof.

The fragmentary broken line representation of a hoof of a horse in FIG. 1 is for purposes of illustration only and forms no part of the claimed design.



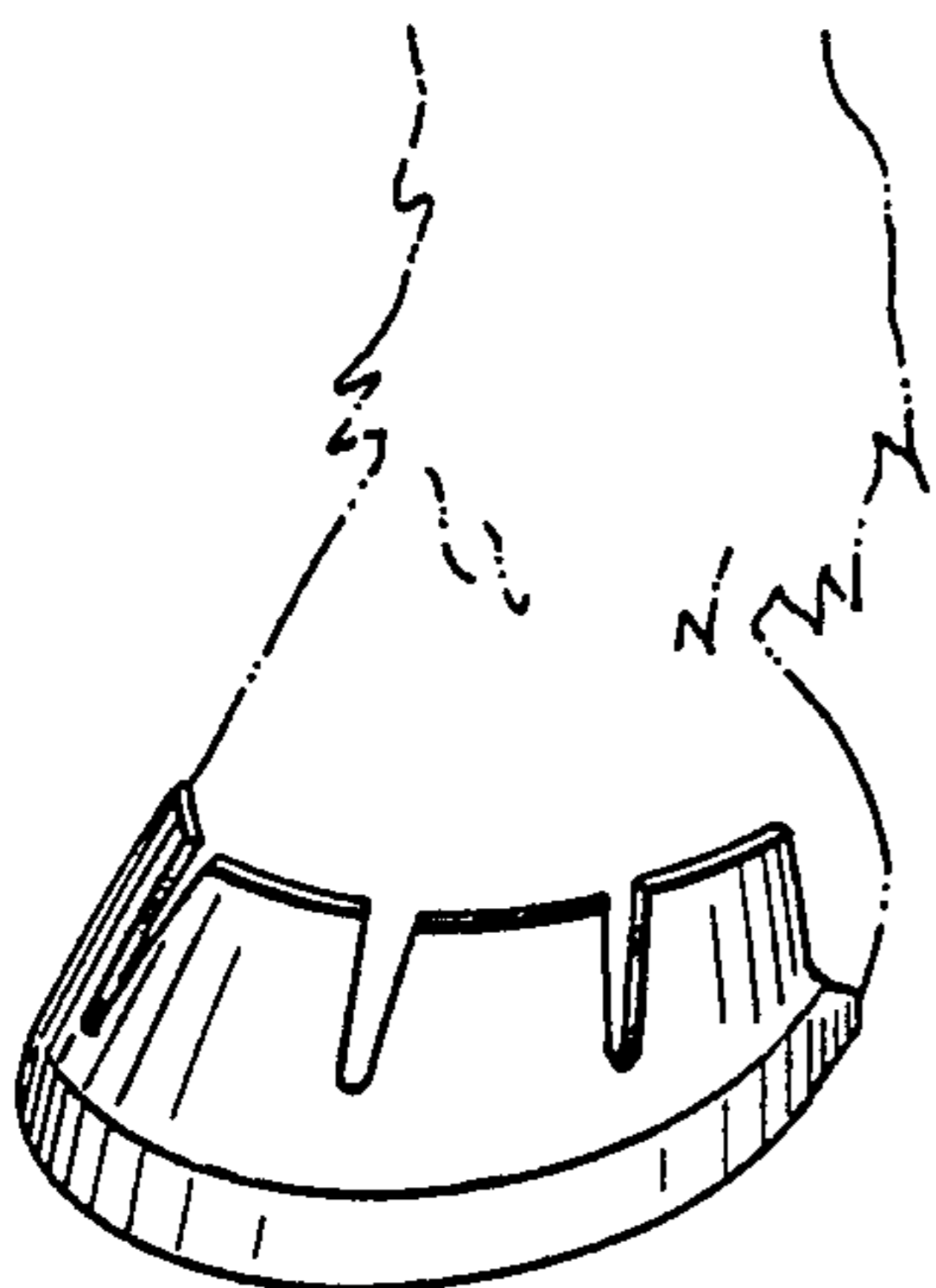


FIG. 1

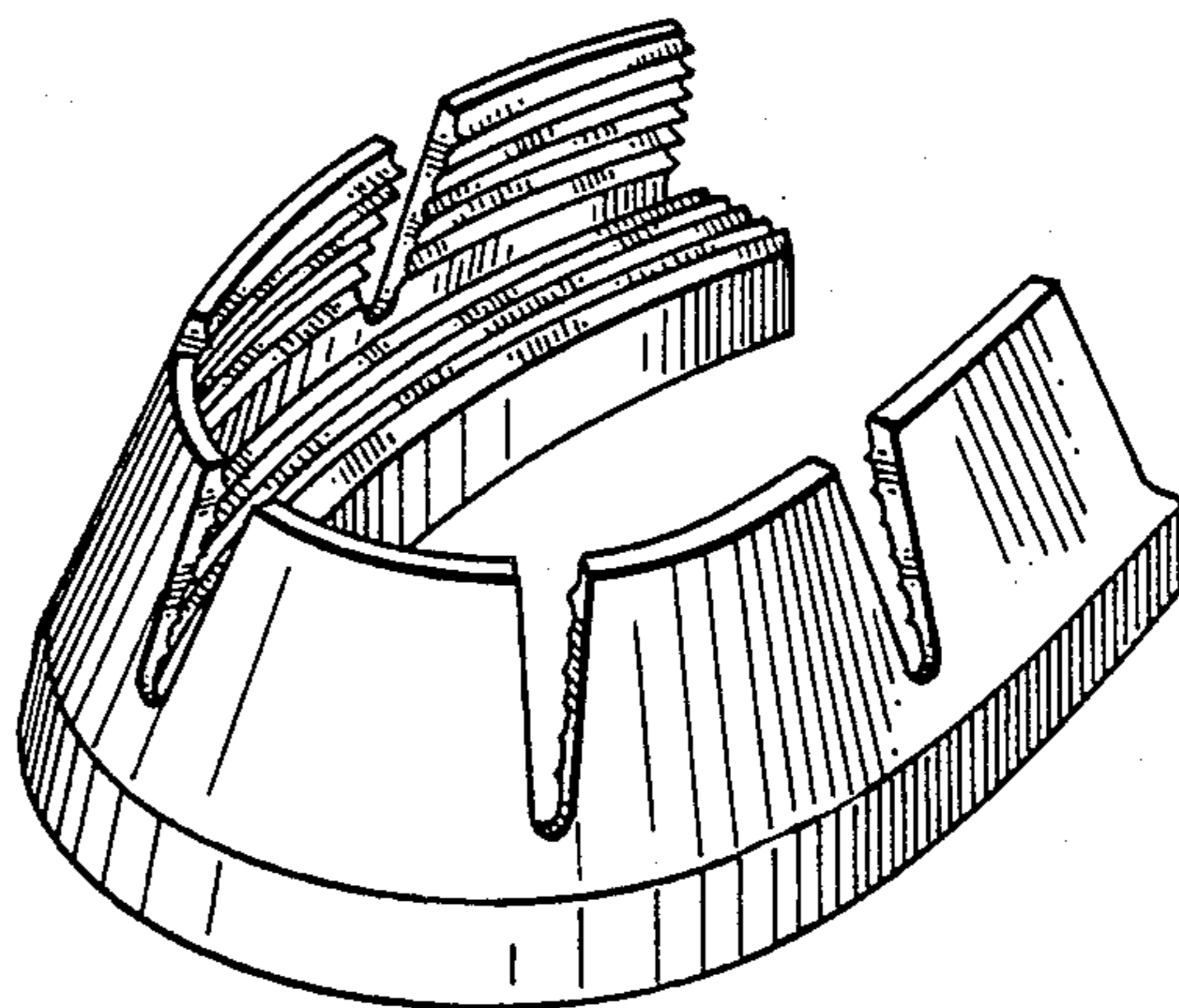


FIG. 2

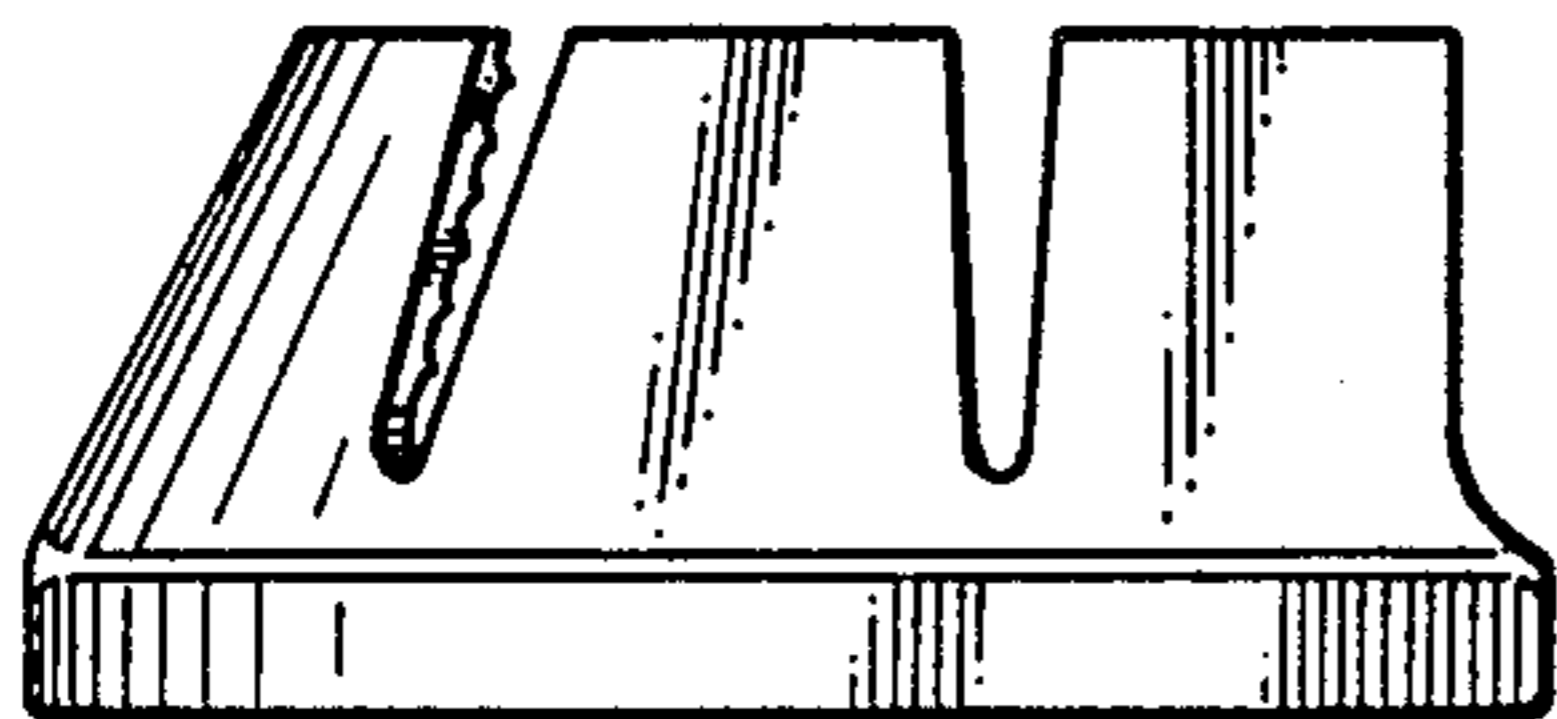


FIG. 3

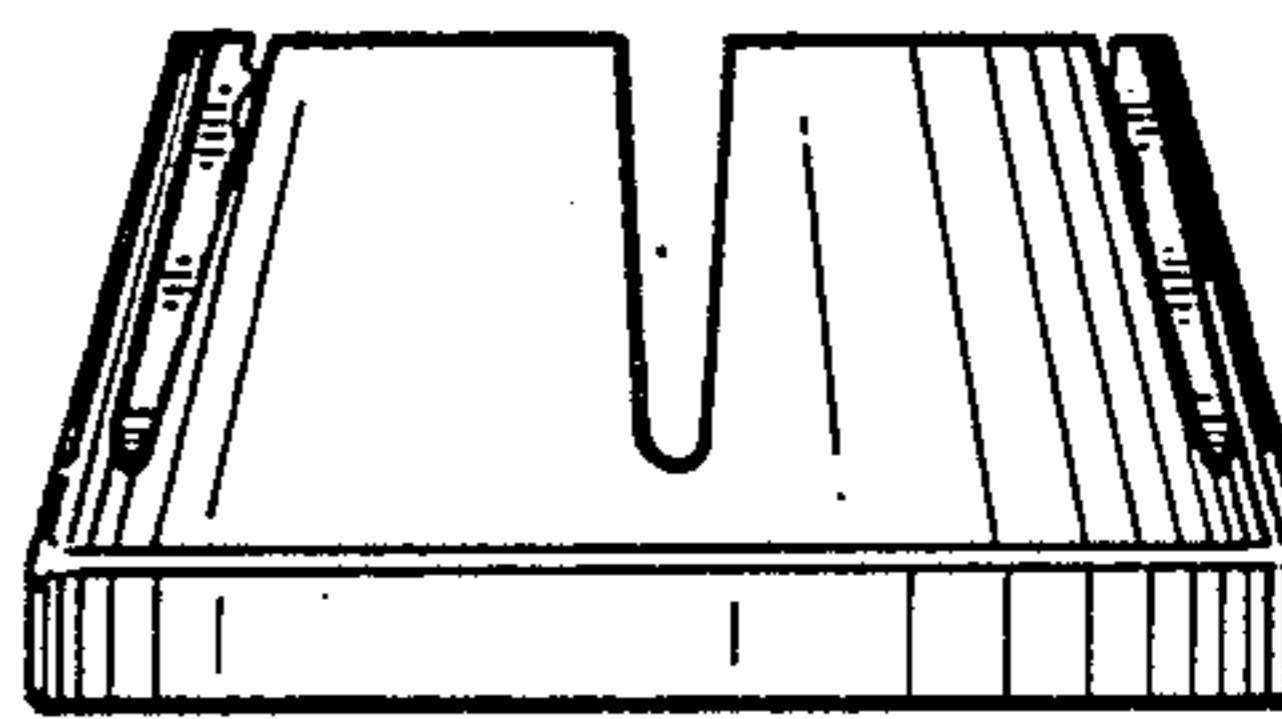


FIG. 4

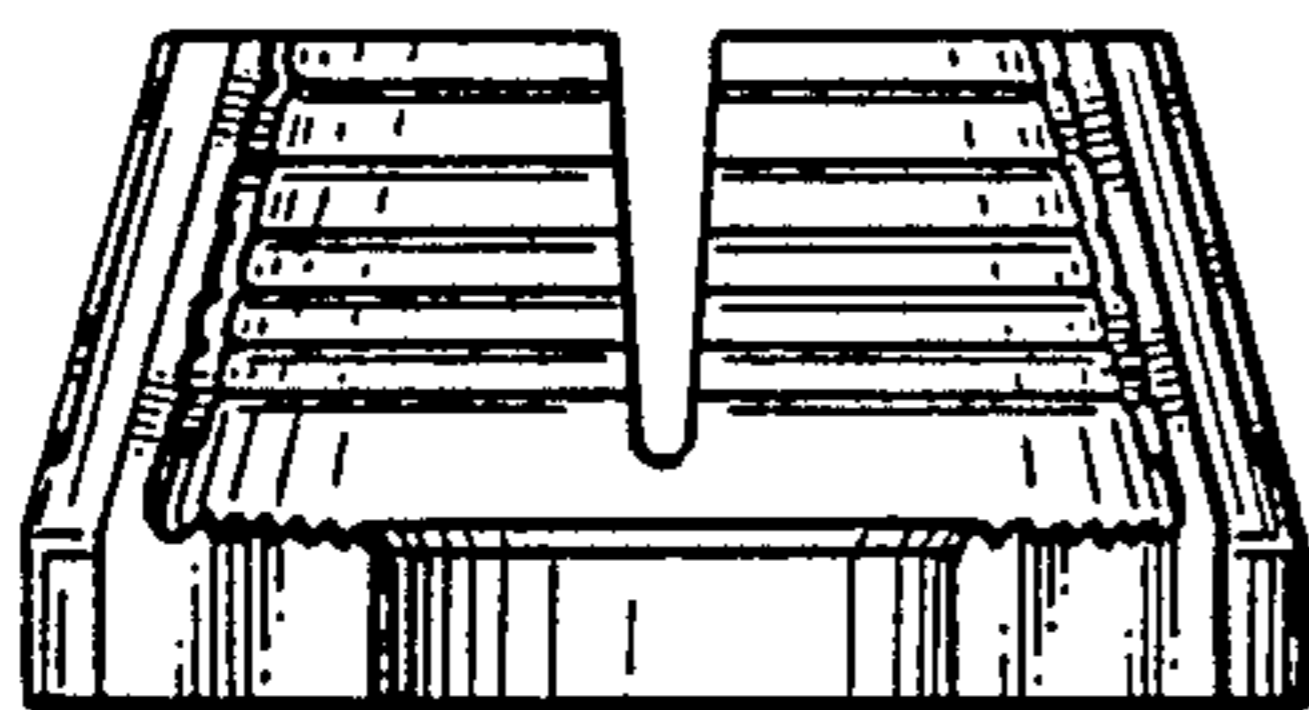


FIG. 5

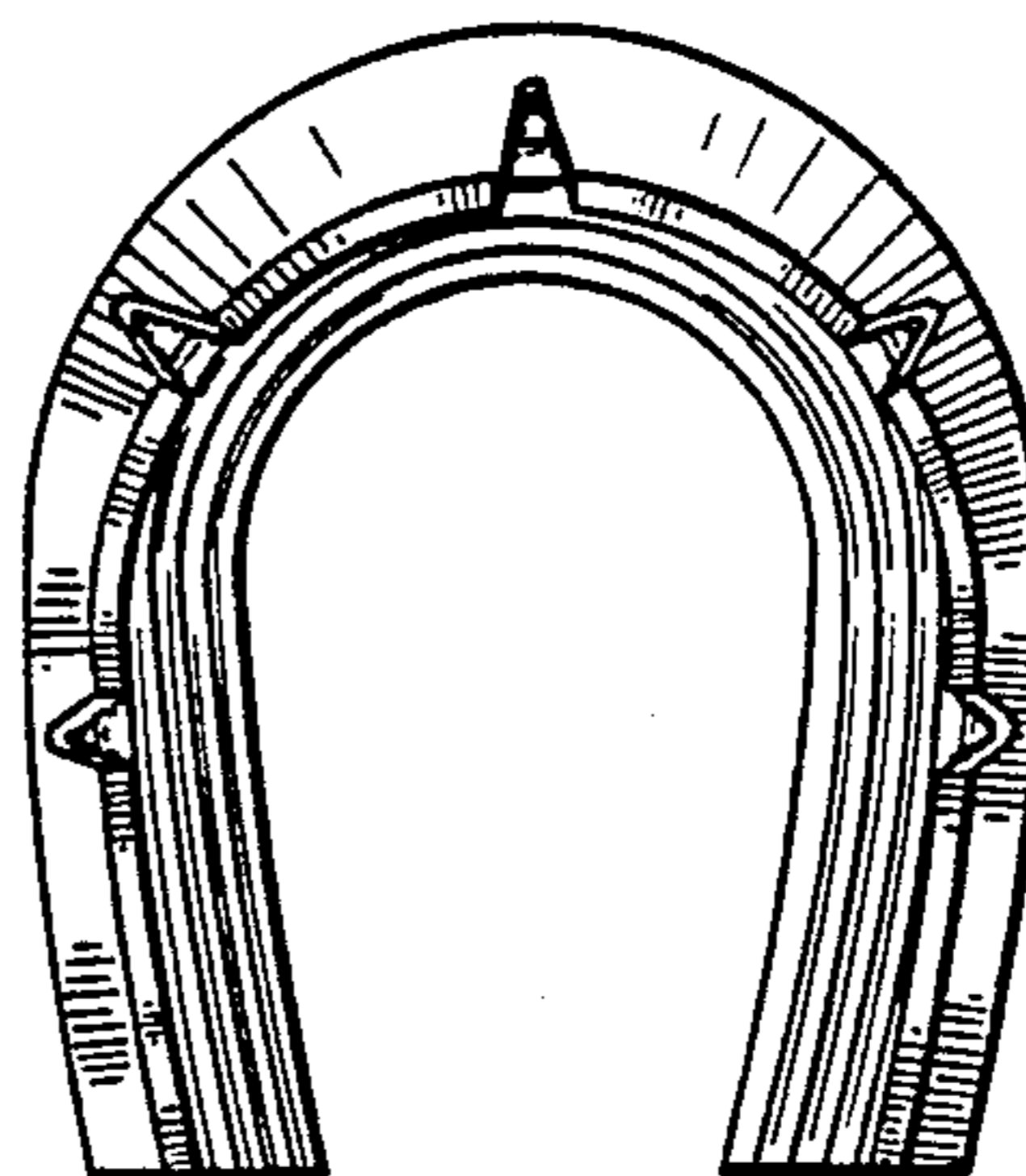


FIG. 6

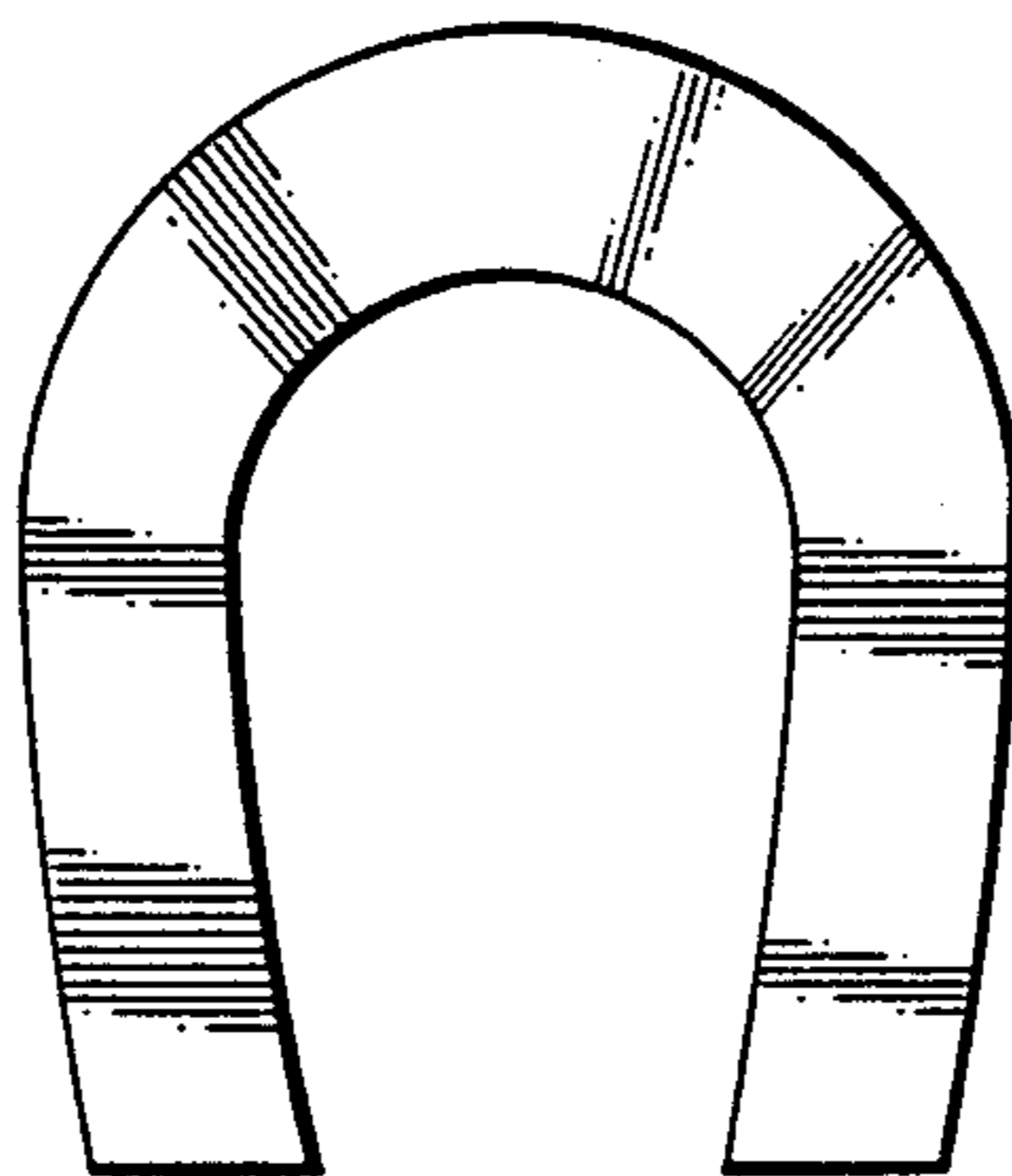


FIG. 7