

United States Patent [19]

Wilson

[11] Patent Number: Des. 295,906

[45] Date of Patent: ** May 24, 1988

[54] SADDLE STAND

[76] Inventor: William W. Wilson, 15 Leo Street,
Fawkner, Victoria 3060, Australia

[**] Term: 14 Years

[21] Appl. No.: 841,720

[22] Filed: May 23, 1986

[30] Foreign Application Priority Data

Sep. 4, 1985 [AU] Australia 2458/85

[52] U.S. Cl. D30/143; D6/473

[58] Field of Search D30/143, 199; 211/13,
211/87, 104; 248/214; 108/111, 181; D6/354,
419, 420, 473

[56] References Cited

U.S. PATENT DOCUMENTS

D. 197,292 1/1964 Holmberg D30/143

D. 200,164 1/1965 Hyman D30/143
D. 208,155 7/1967 Swanson D30/143
D. 277,515 2/1985 Secor D30/143
D. 284,122 6/1986 Kizen D30/143
2,760,746 8/1956 Botolfsen 211/13 X
2,809,755 10/1957 Martorello 211/13
4,432,459 2/1984 Coldren 211/13

OTHER PUBLICATIONS

Popular Mechanics, Sep. 1940, p. 447.

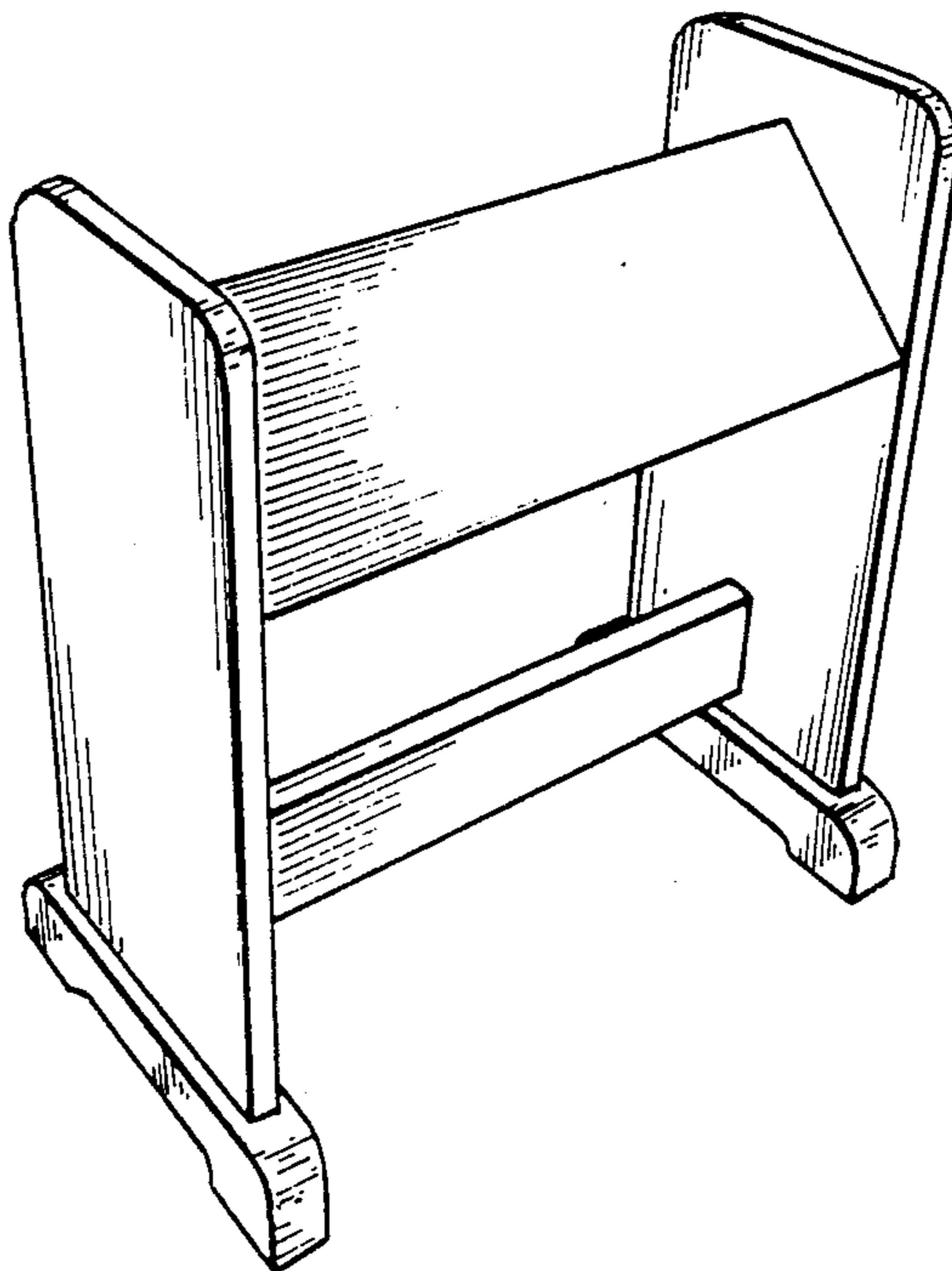
Primary Examiner—James R. Largen

[57] CLAIM

The ornamental design for a saddle stand, as shown.

DESCRIPTION

FIG. 1 is a perspective view taken from the top, front and left end of a saddle stand showing my new design; FIG. 2 is a rear elevational view thereof; and FIG. 3 is a right end elevational view thereof.



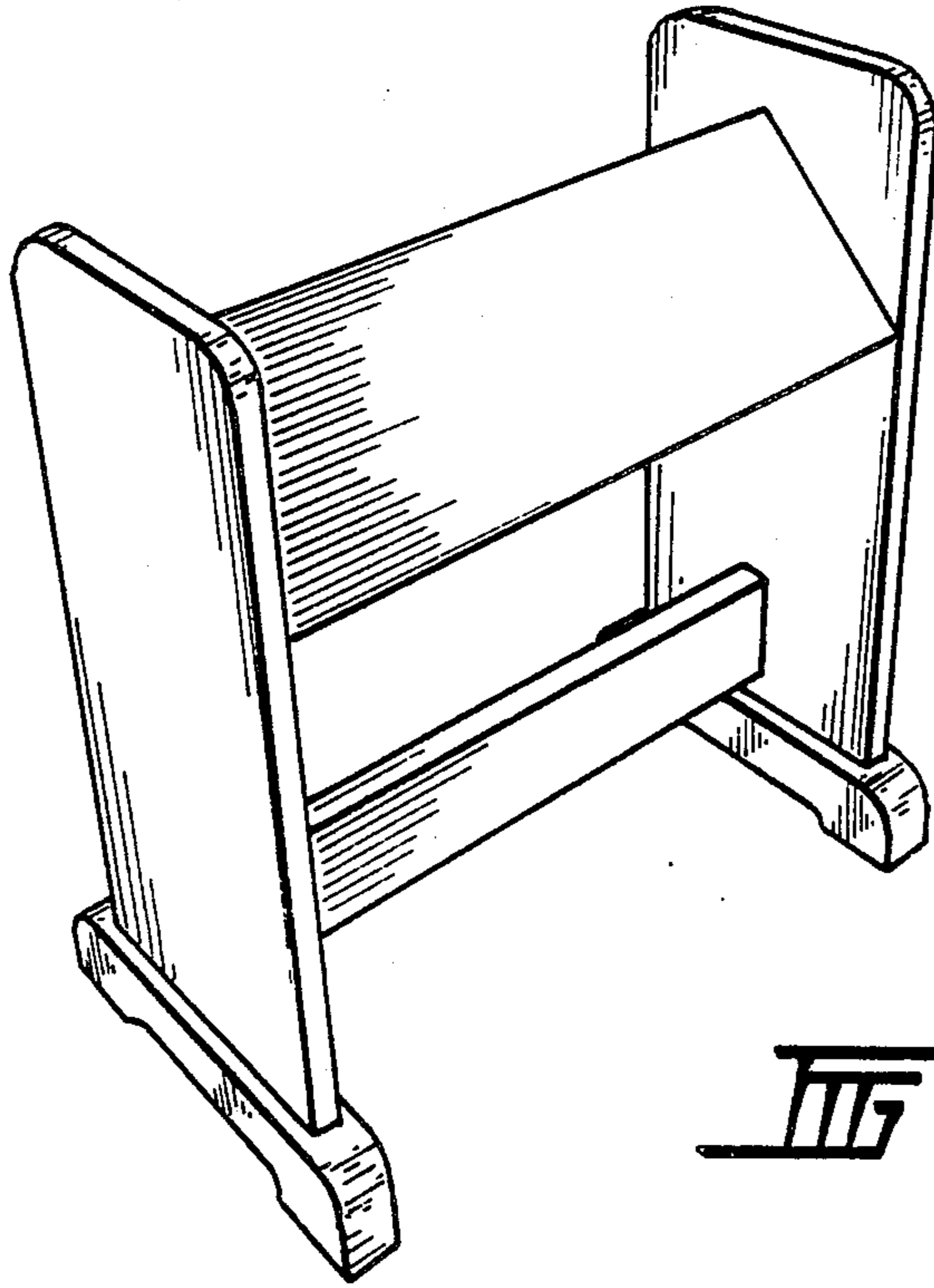


FIG. 1.

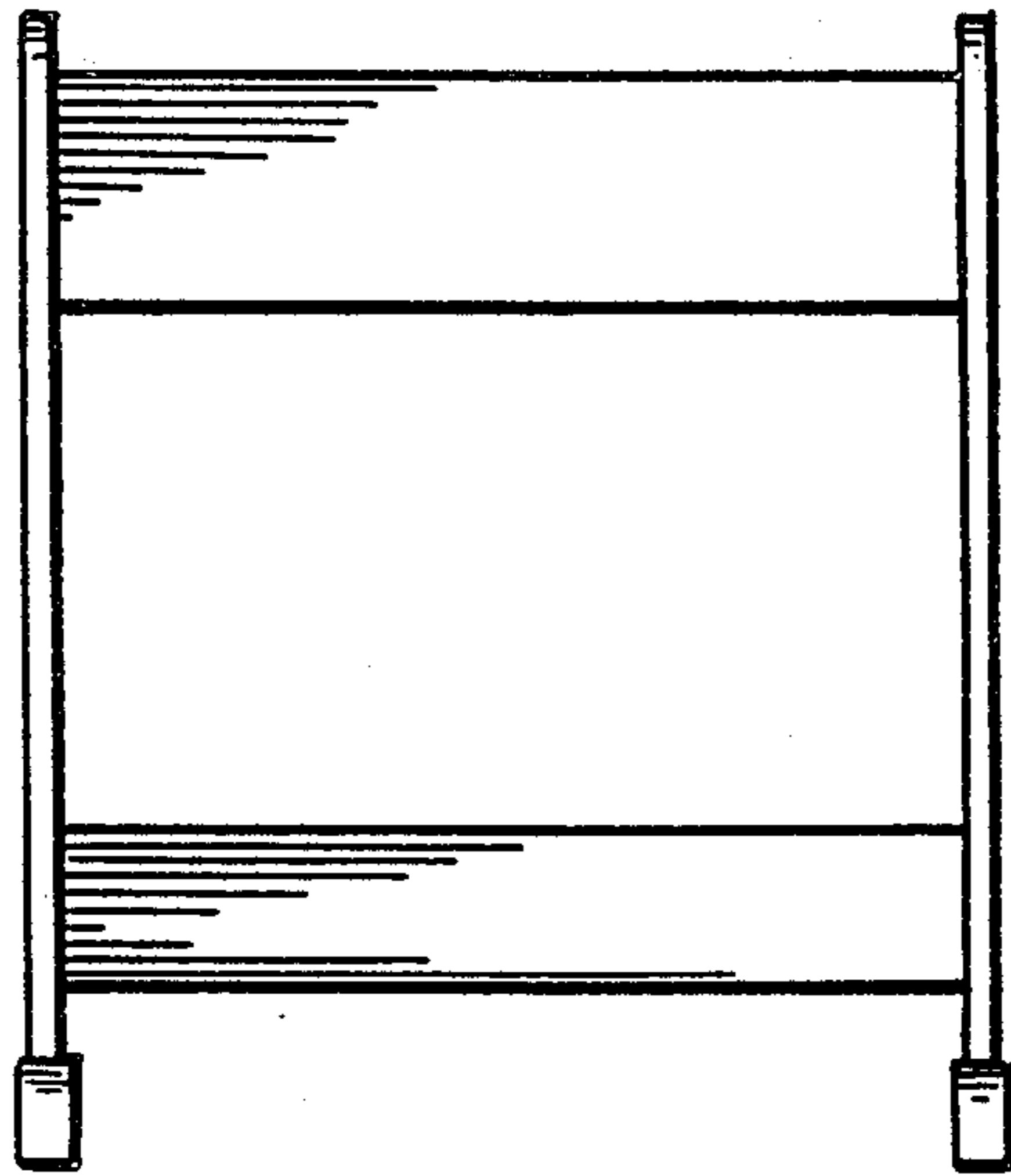


FIG. 2.

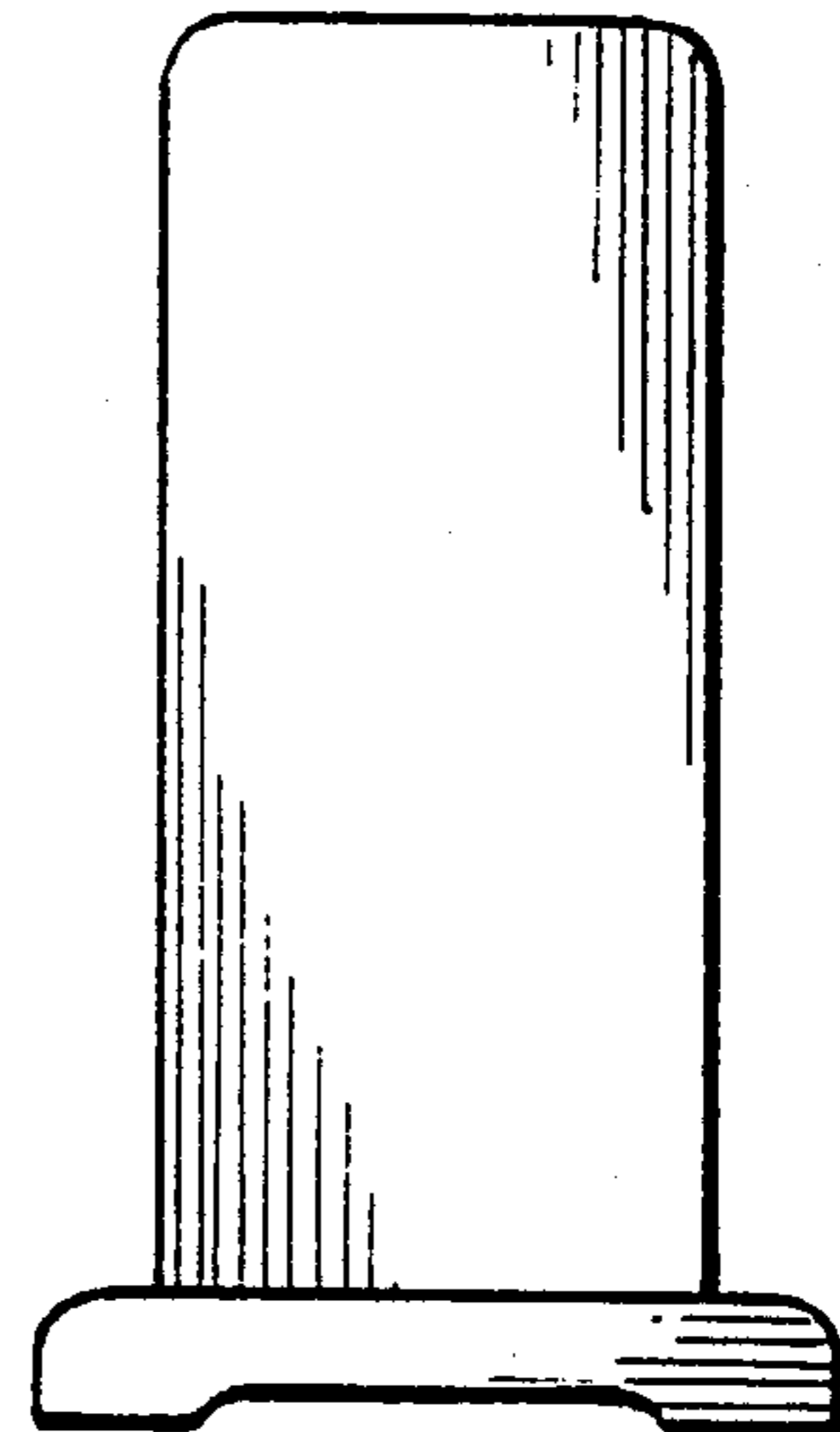


FIG. 3.