

[54] BASE FOR A PIG FEEDER
[75] Inventors: Ray E. Swartzendruber, Syracuse;
Keith Coffman, Leesburg, both of
Ind.

[73] Assignee: Chore-Time Equipment, Inc.,
Milford, Ind.

[**] Term: 14 Years

[21] Appl. No.: 706,717

[22] Filed: Feb. 28, 1985

[52] U.S. Cl. D30/131

[58] Field of Search D30/13-17,
D30/121, 122, 131; 119/52 R, 52 AF, 53

[56] References Cited

U.S. PATENT DOCUMENTS

D. 143,604	1/1946	Kubista	D30/16
D. 192,850	5/1962	Bishop	D30/13
D. 201,670	7/1965	Moore	D30/16
2,808,029	10/1957	Geerlings	119/53 X

2,884,899	5/1959	Jackes et al.	119/53
2,933,064	4/1960	Geerlings	119/53
3,205,860	9/1965	Moore	119/52 R
3,971,340	7/1976	Allen	119/53
4,353,329	10/1982	Thibault	119/52 A
4,476,811	10/1984	Swartzendruber	119/52 AF
4,640,229	2/1987	Swartzendruber et al.	...	119/51.5 X

Primary Examiner—James R. Largen
Attorney, Agent, or Firm—Trexler, Bushnell, Giangiorgi
& Blackstone, Ltd.

[57] CLAIM

The ornamental design for a base for a pig feeder, as shown and described.

DESCRIPTION

FIG. 1 is a perspective view of a base for a pig feeder, showing our new design;
FIG. 2 is a top plan thereof;
FIG. 3 is a side elevational view thereof, the other sides being the same as the sides shown; and
FIG. 4 is an enlarged bottom plan view thereof.

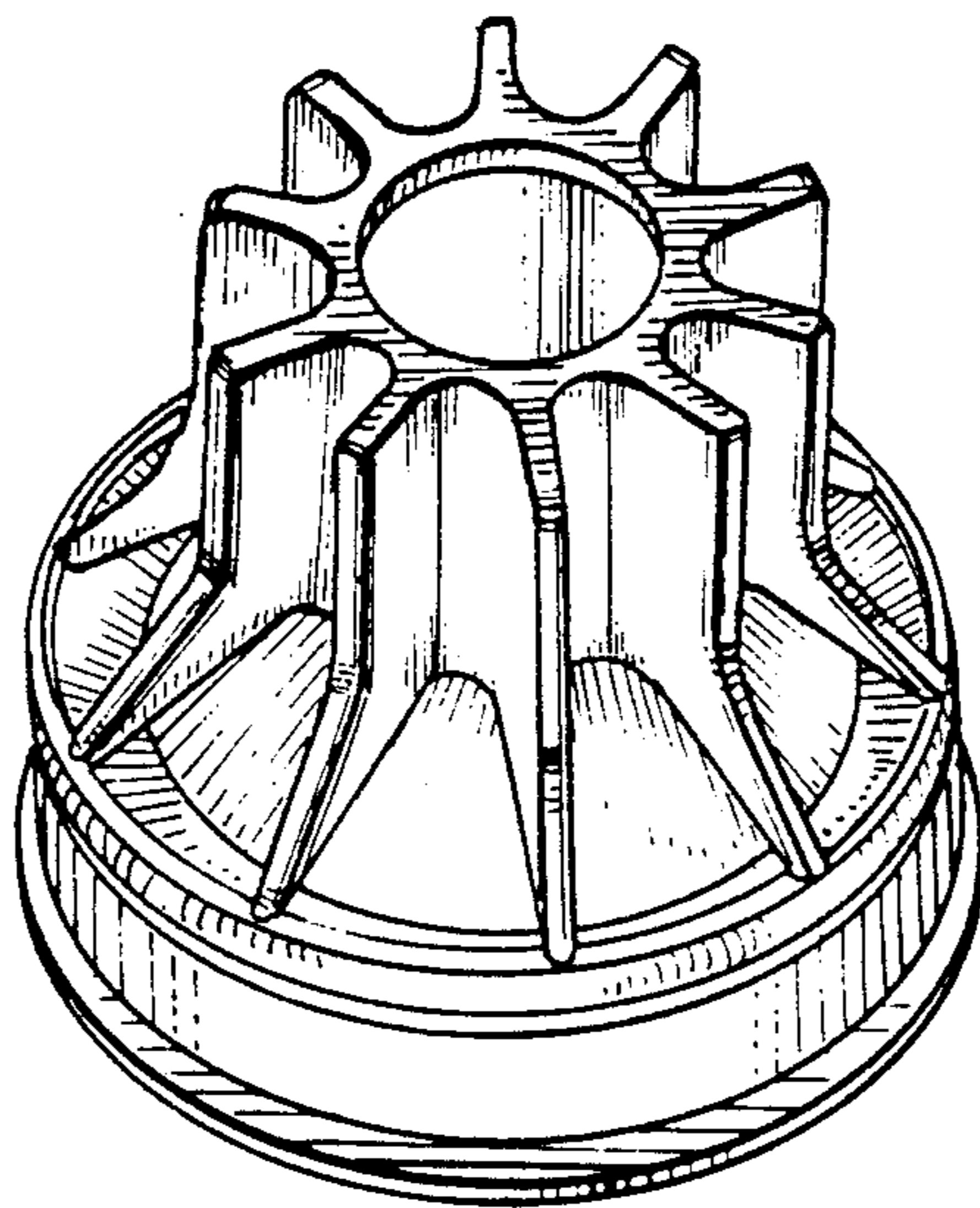


FIG. 1.

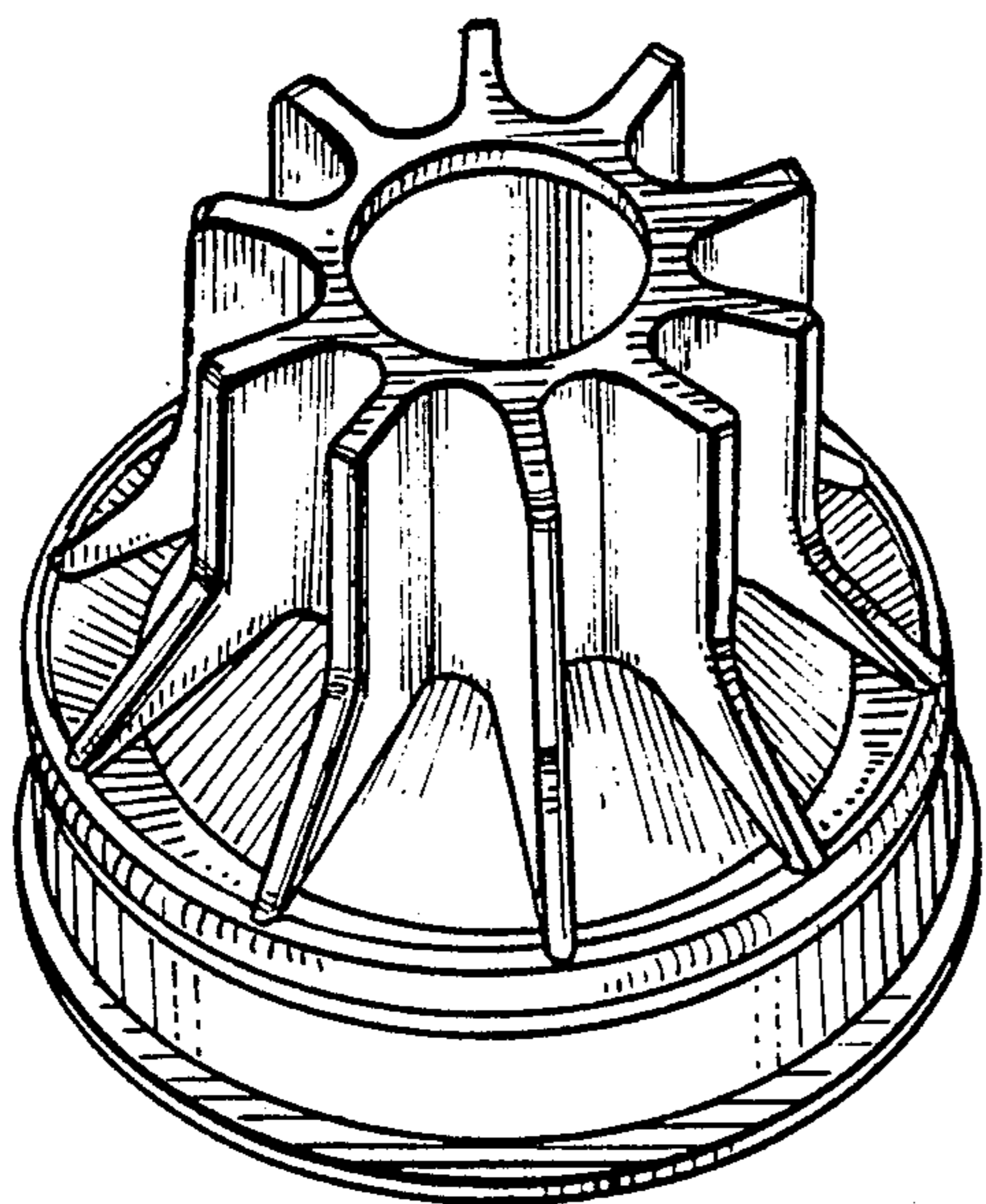


FIG. 2.

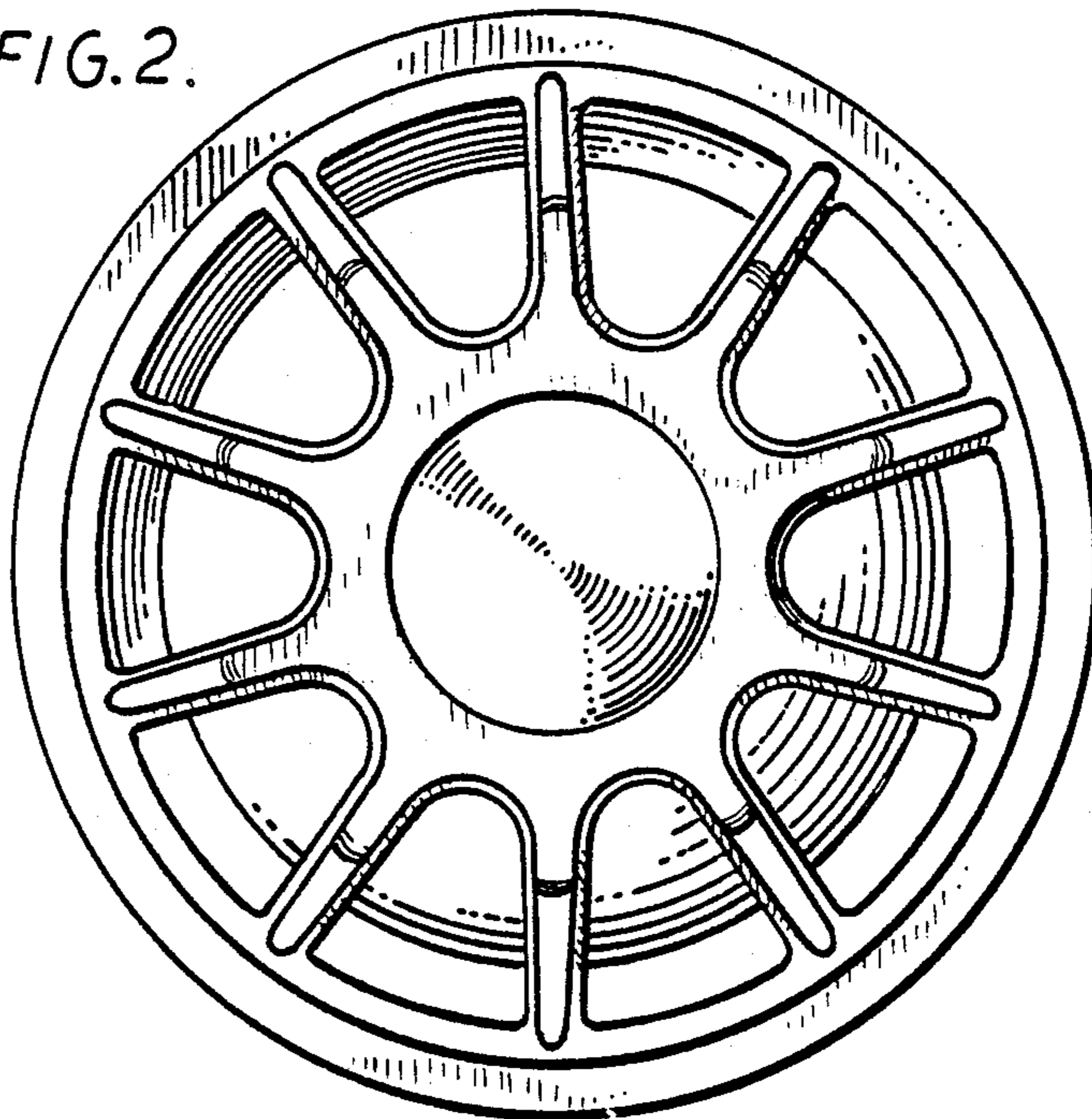


FIG. 4.

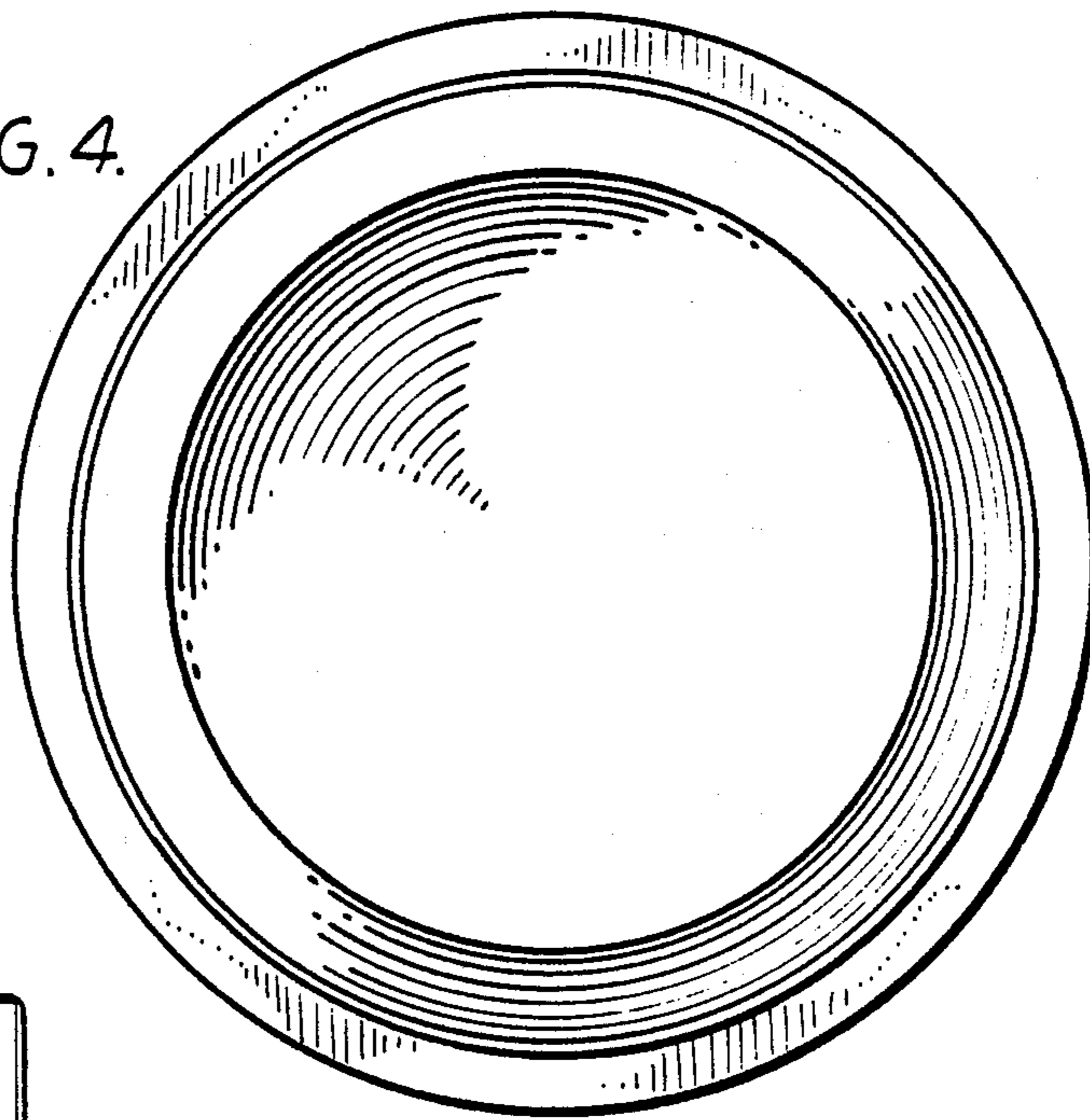


FIG. 3.

