

[54] COMBINED WASHER AND ASPIRATOR FOR WASHING BEADS IN AN IMMUNOASSAY REACTION WELL

[75] Inventor: Paul L. Eck, Deerfield, Ill.

[73] Assignee: Abbott Laboratories, North Chicago, Ill.

[**] Term: 14 Years

[21] Appl. No.: 771,534

[22] Filed: Aug. 30, 1985

[52] U.S. Cl. D24/29; D24/17; 239/125;126

[58] Field of Search D24/1.1, 29; D23/40; 134/94, 182, 21, 156, 148, 174

[56] References Cited

U.S. PATENT DOCUMENTS

D. 275,125 8/1984 Bing, Jr. et al. D23/40
3,949,771 4/1976 Dodge et al. 134/94

4,341,568 7/1982 Christensen 134/182 X

Primary Examiner—A. Hugo Word
Assistant Examiner—Stella M. Reid
Attorney, Agent, or Firm—Martin L. Katz; Donna Bobrowicz

[57] CLAIM

The ornamental design for a combined washer and aspirator for washing beads in an immunoassay reaction well, substantially as shown and described.

DESCRIPTION

FIG. 1 is a perspective view of a combined washer and aspirator for washing beads in an immunoassay reaction well showing my new design;

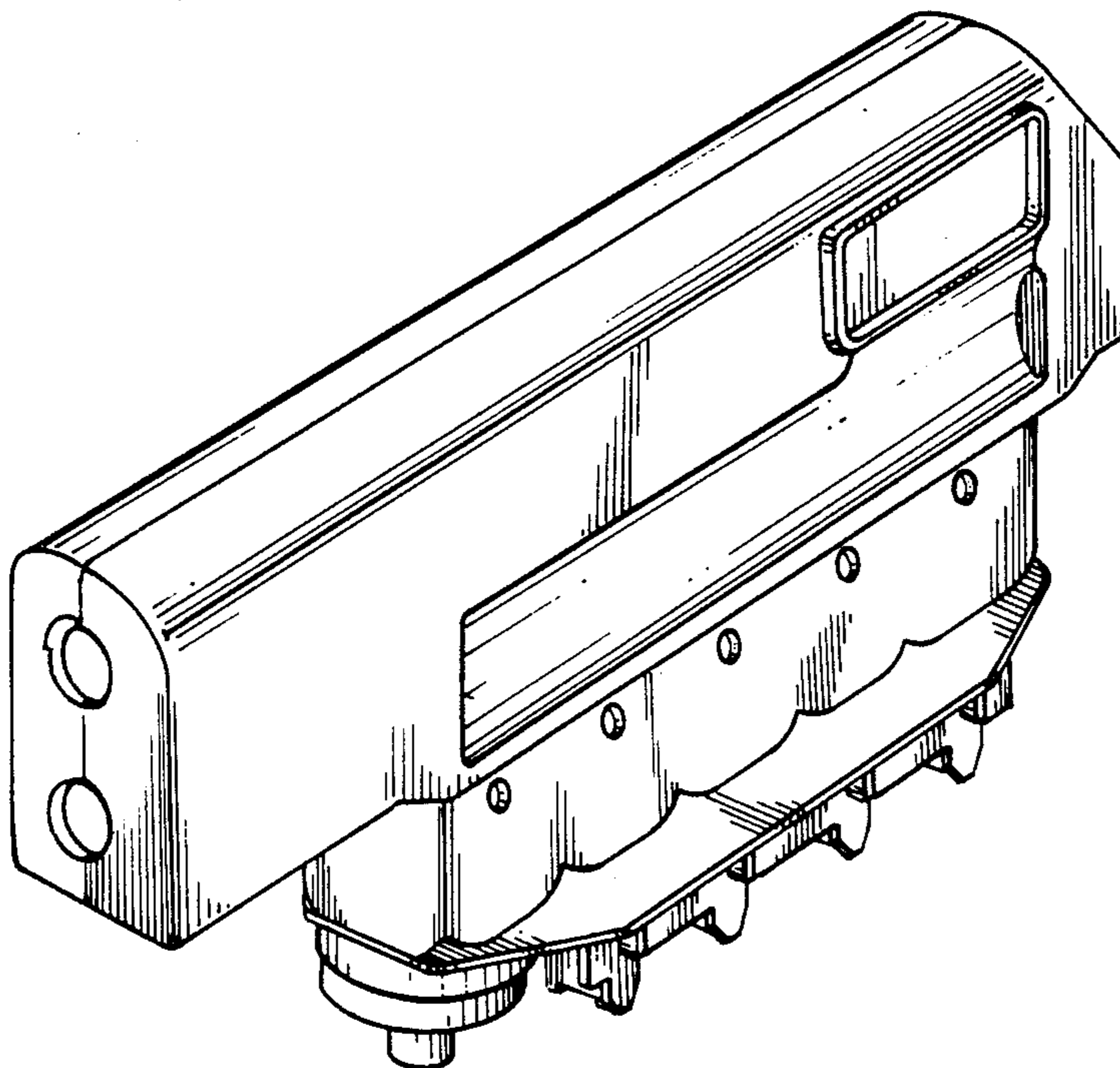
FIG. 2 is a top plan view of FIG. 1;

FIG. 3 is a front view in side elevation of FIG. 1;

FIG. 4 is a bottom plan view of FIG. 1;

FIG. 5 is an end view as seen from the left side of FIG. 3;

FIG. 6 is an end view as seen from the right side of FIG. 3.



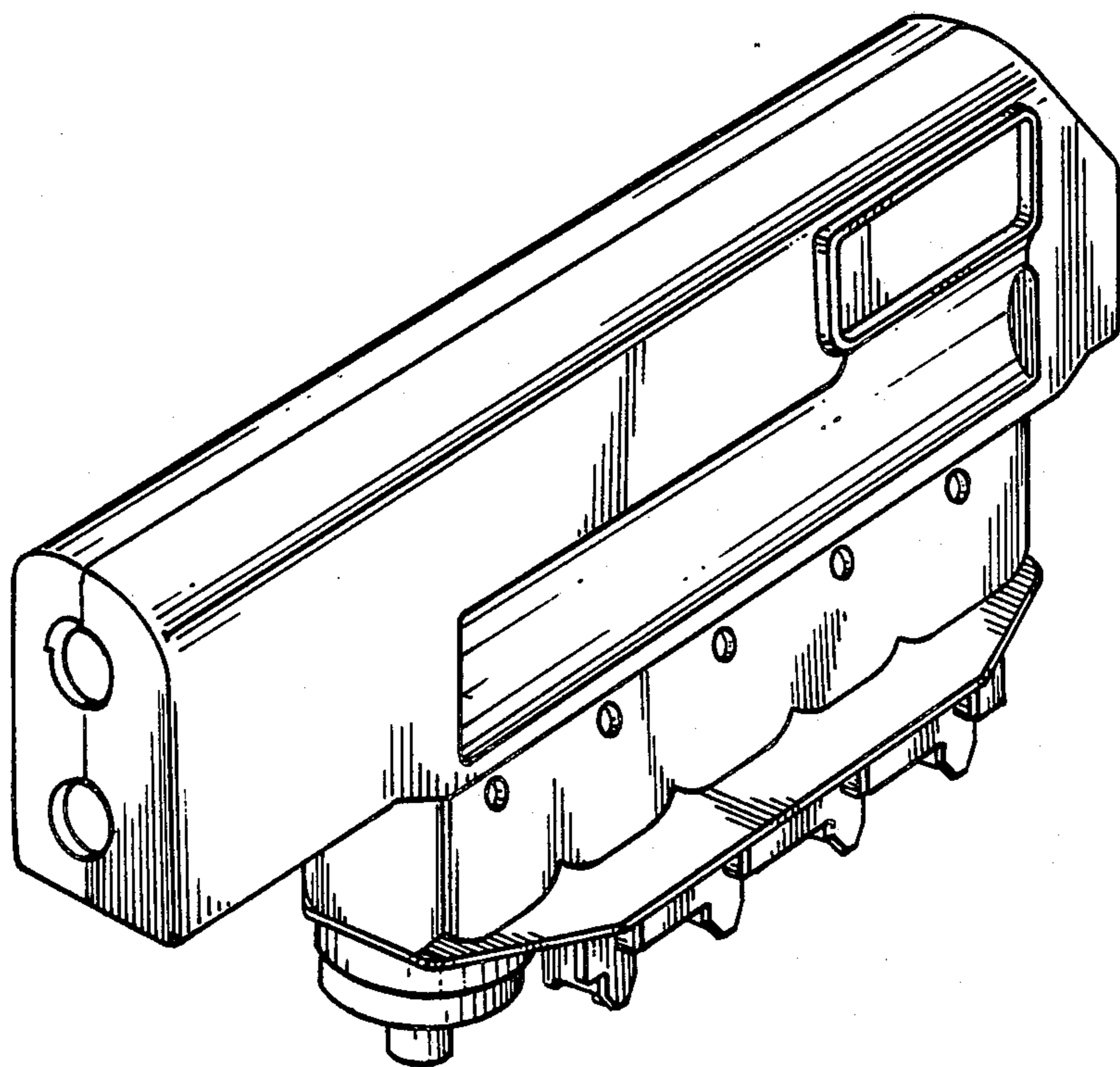


FIG. 1

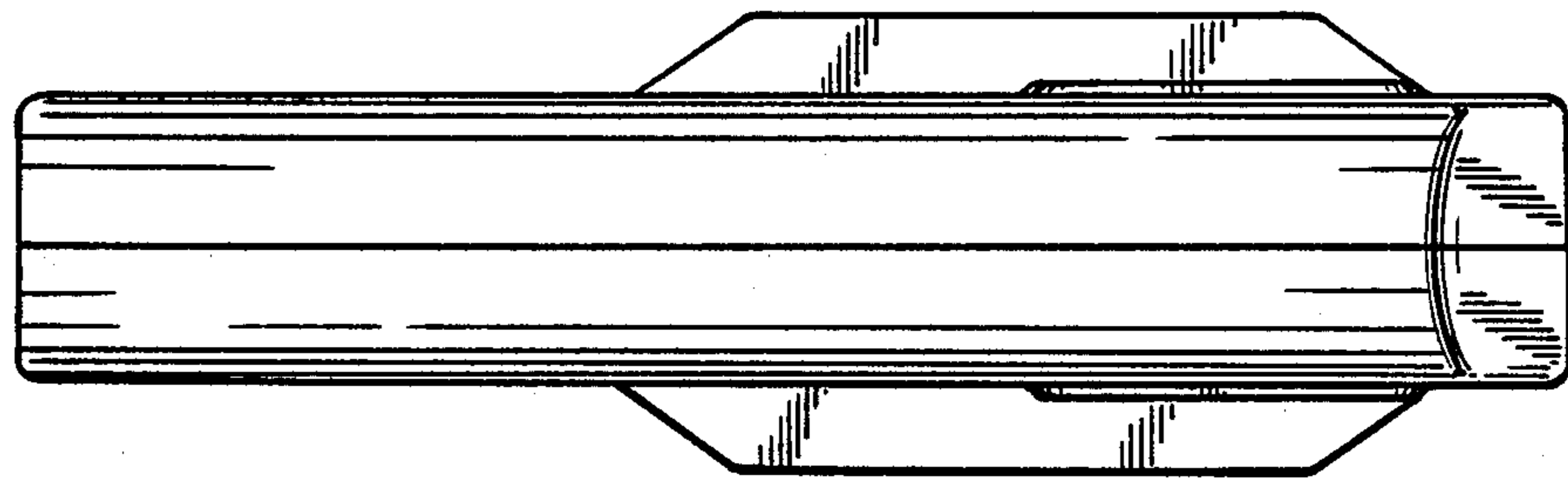


FIG. 2

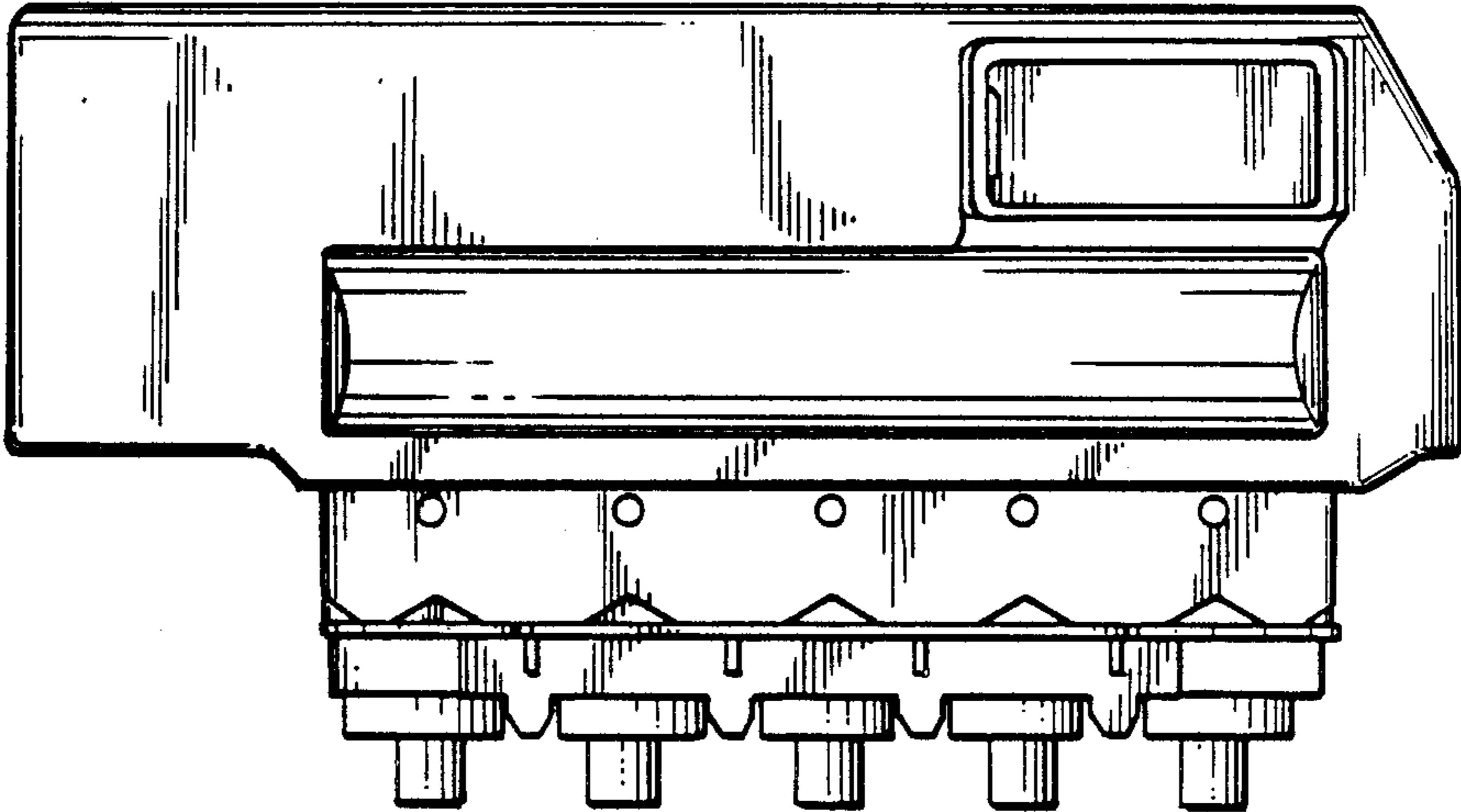


FIG. 3

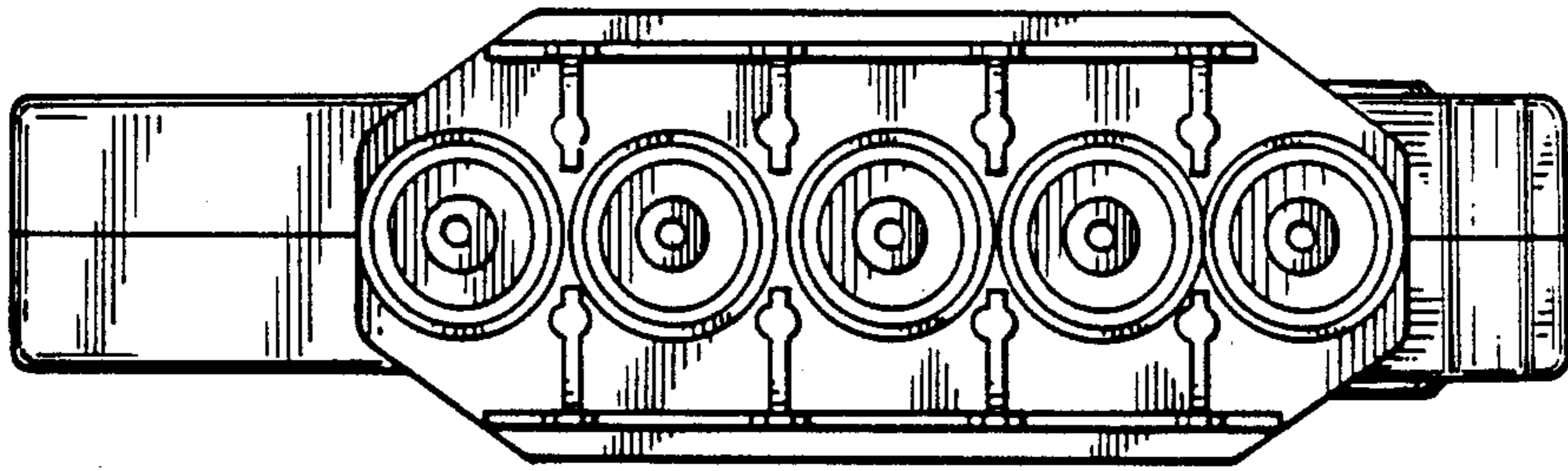


FIG. 4

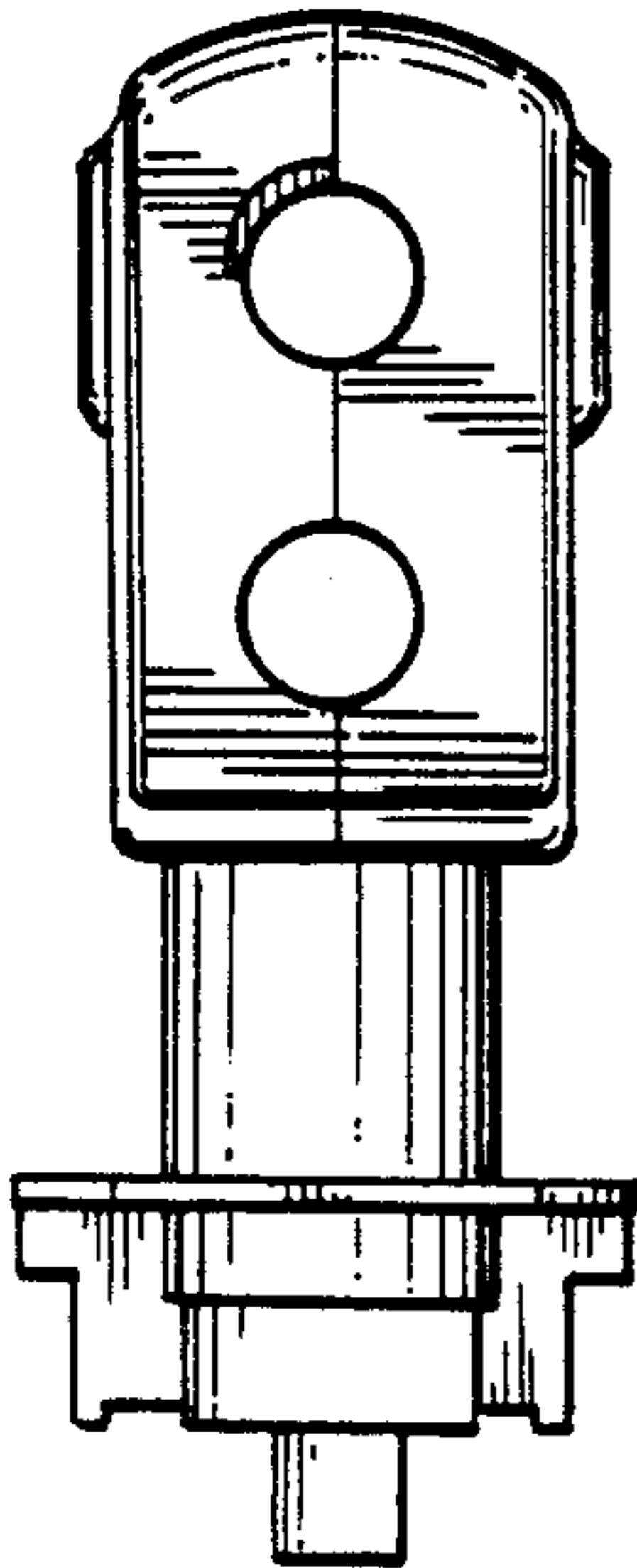


FIG. 5

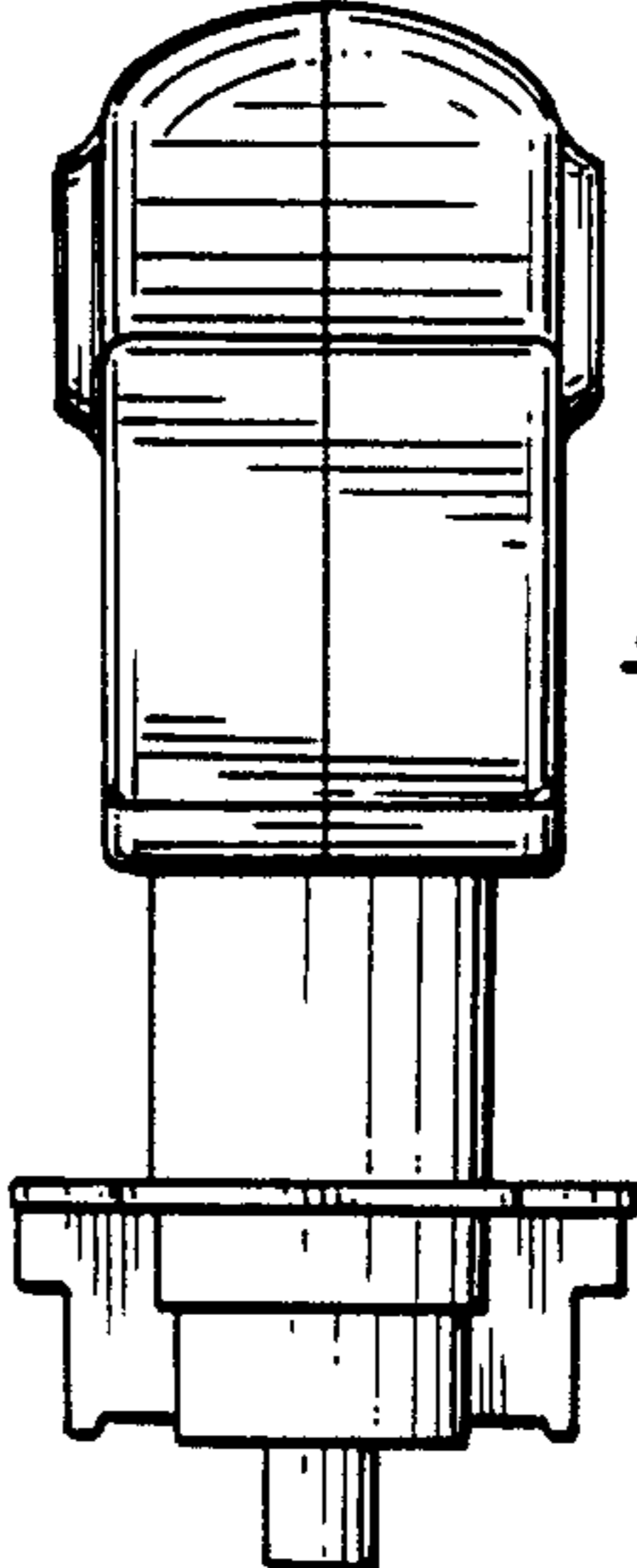


FIG. 6