

- [54] **TIMER-CONTROLLED VALVE FOR A LAWN SPRINKLER**
- [75] **Inventors:** Kenneth J. Bruninga, Mapleton; Douglas C. Fletcher, Peoria, both of Ill.; Ronald G. Hayes, Batavia, Ohio
- [73] **Assignee:** L. R. Nelson Corporation, Peoria, Ill.
- [**] **Term:** 14 Years
- [21] **Appl. No.:** 755,817
- [22] **Filed:** Jul. 17, 1985
- [52] **U.S. Cl.** D23/245
- [58] **Field of Search** D23/209, 244, 245, 246; 239/69, 70; 364/143, 144, 145; D10/30, 40

D. 217,547	5/1970	Broyhill	D23/209
D. 234,200	1/1975	Buechler	D23/245
D. 255,045	5/1980	Kronsbein	D23/209
D. 277,024	1/1985	Fechter	D23/245
D. 281,808	12/1985	Lemkin	D23/245
3,912,167	10/1975	Simon	239/70 X
4,592,505	6/1986	Bruninga	239/69

Primary Examiner—Nelson C. Holtje
Attorney, Agent, or Firm—Cushman, Darby & Cushman

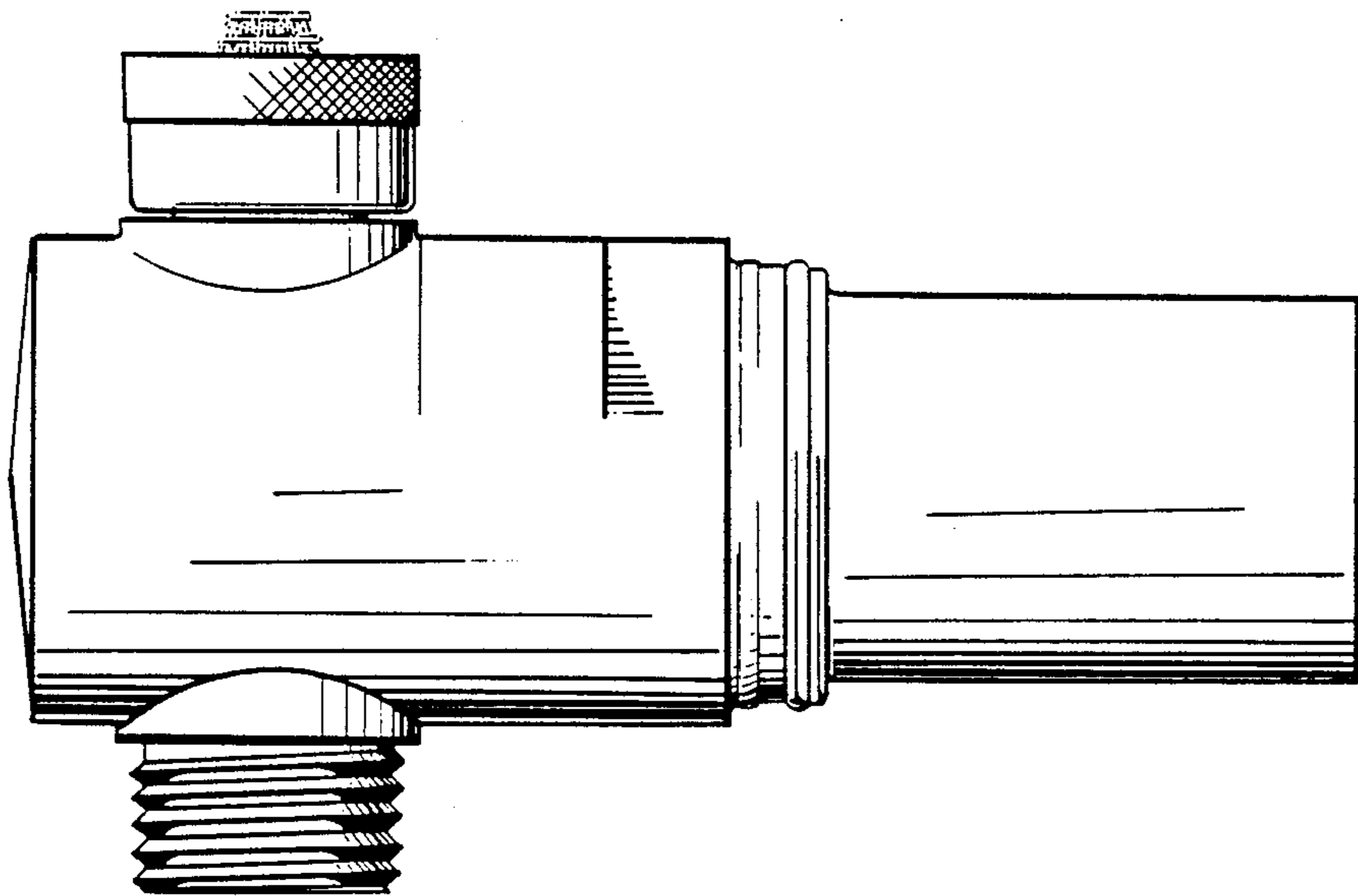
[57] **CLAIM**

The ornamental design for a timer-controlled valve for a lawn sprinkler, as shown and described.

DESCRIPTION

FIG. 1 is a front elevational view of a timer-controlled valve for a lawn sprinkler showing our new design; FIG. 2 is a top plan view thereof; FIG. 3 is a bottom plan view thereof; FIG. 4 is a right side elevational view thereof; FIG. 5 is a left side elevational view thereof; and FIG. 6 is a rear elevational view thereof.

- [56] **References Cited**
- U.S. PATENT DOCUMENTS**
- D. 205,433 8/1966 Sanner D23/246
- D. 208,451 8/1967 Anesi D23/245
- D. 215,843 11/1969 Svenson D23/245



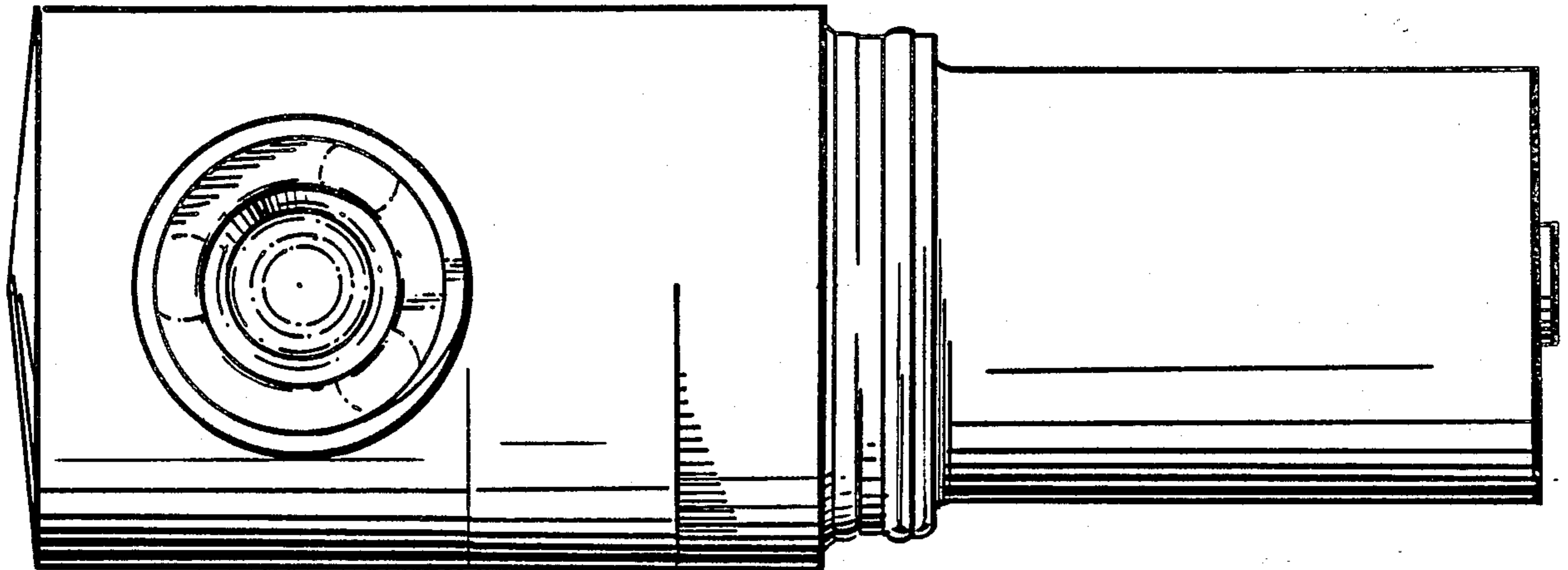


Fig. 2

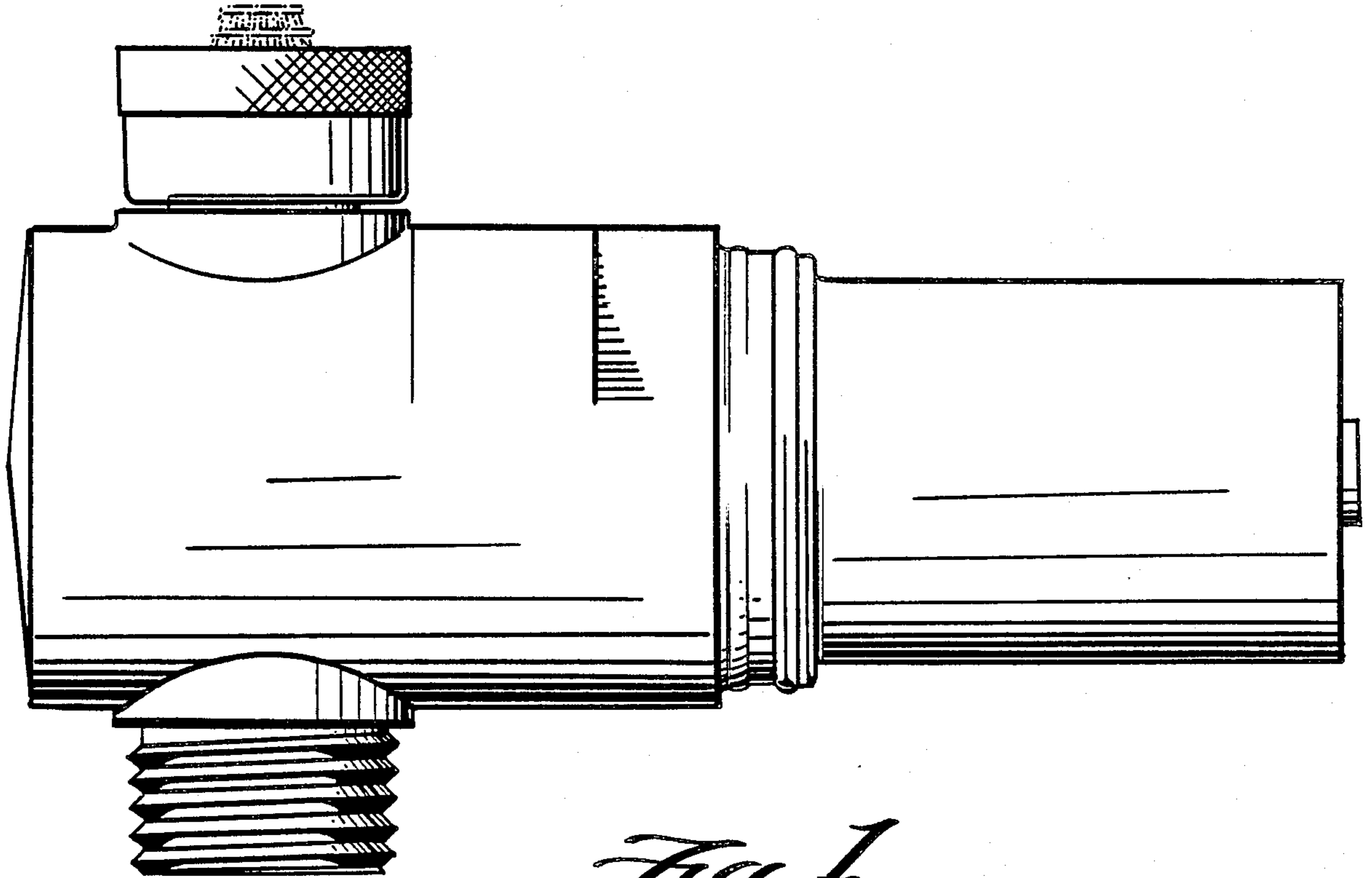


Fig. 1

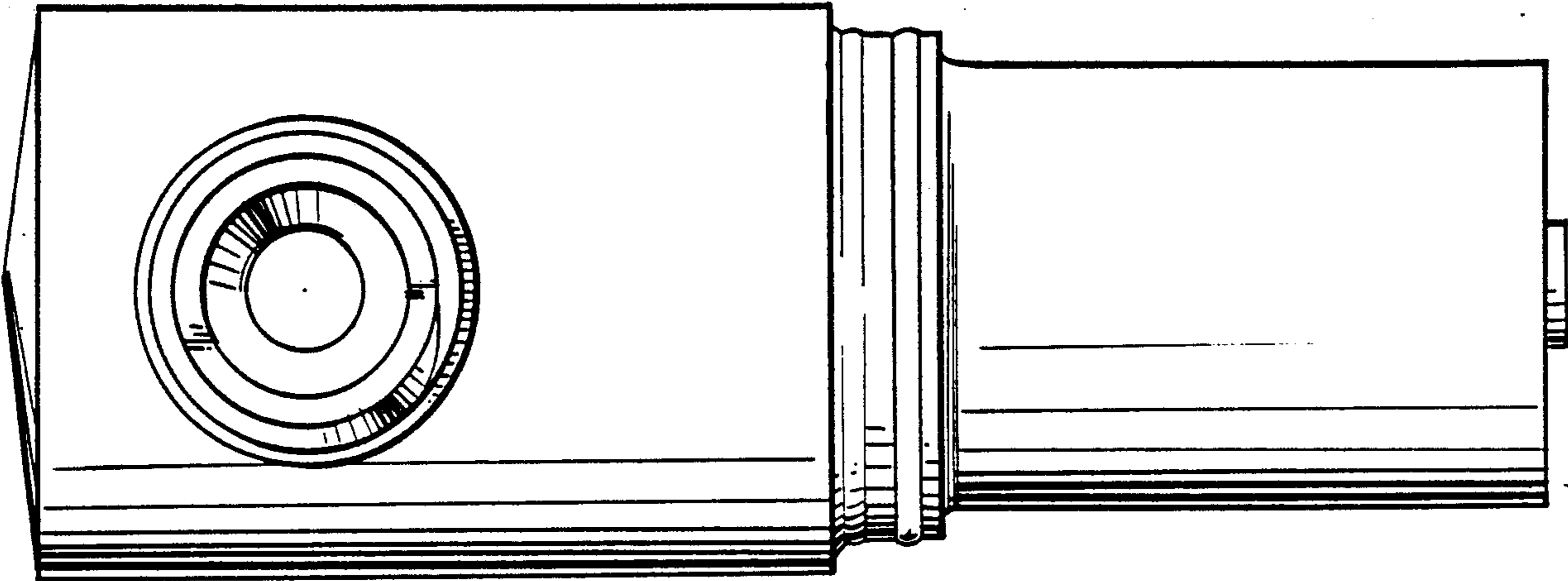


Fig. 3

Fig. 4

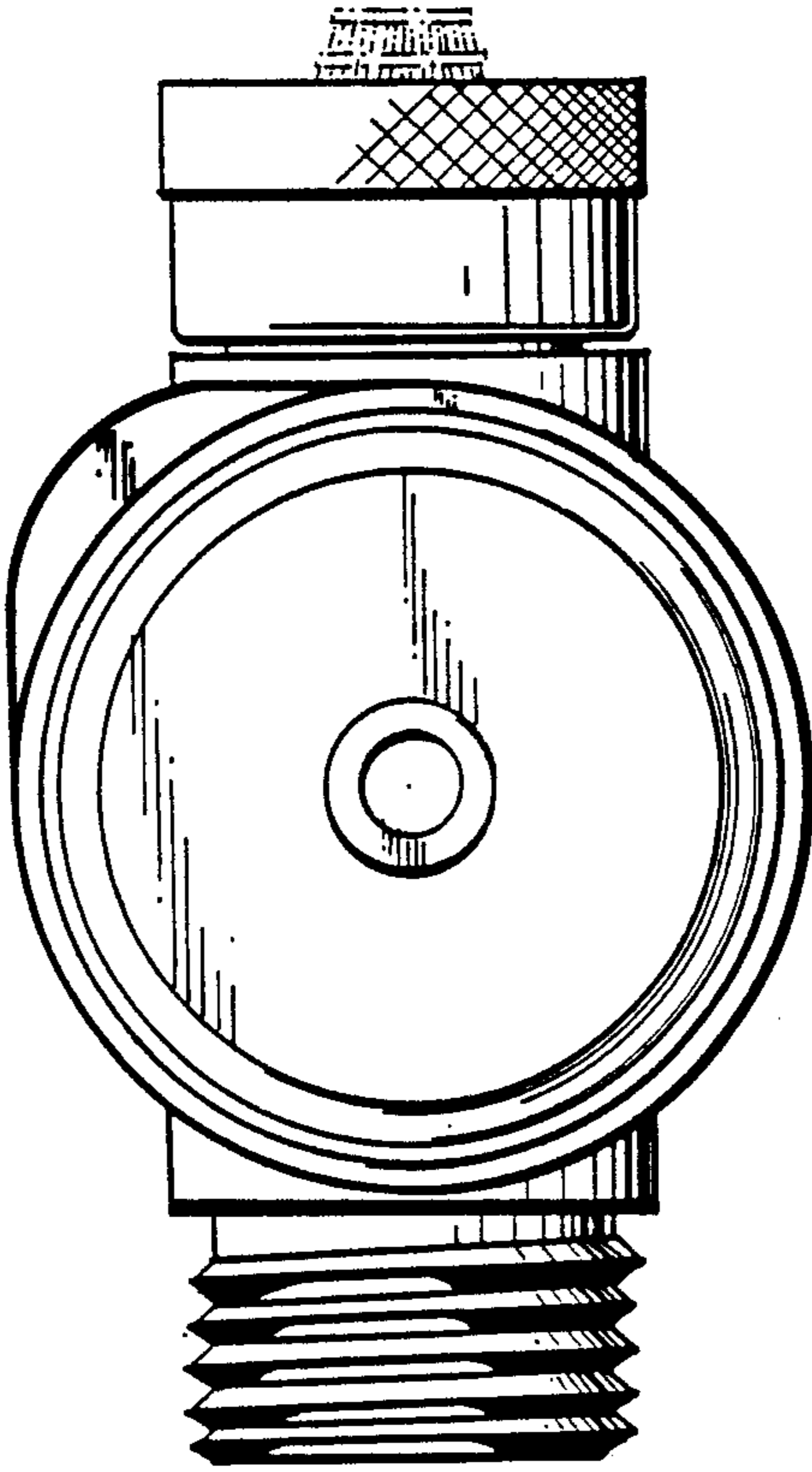


Fig. 5

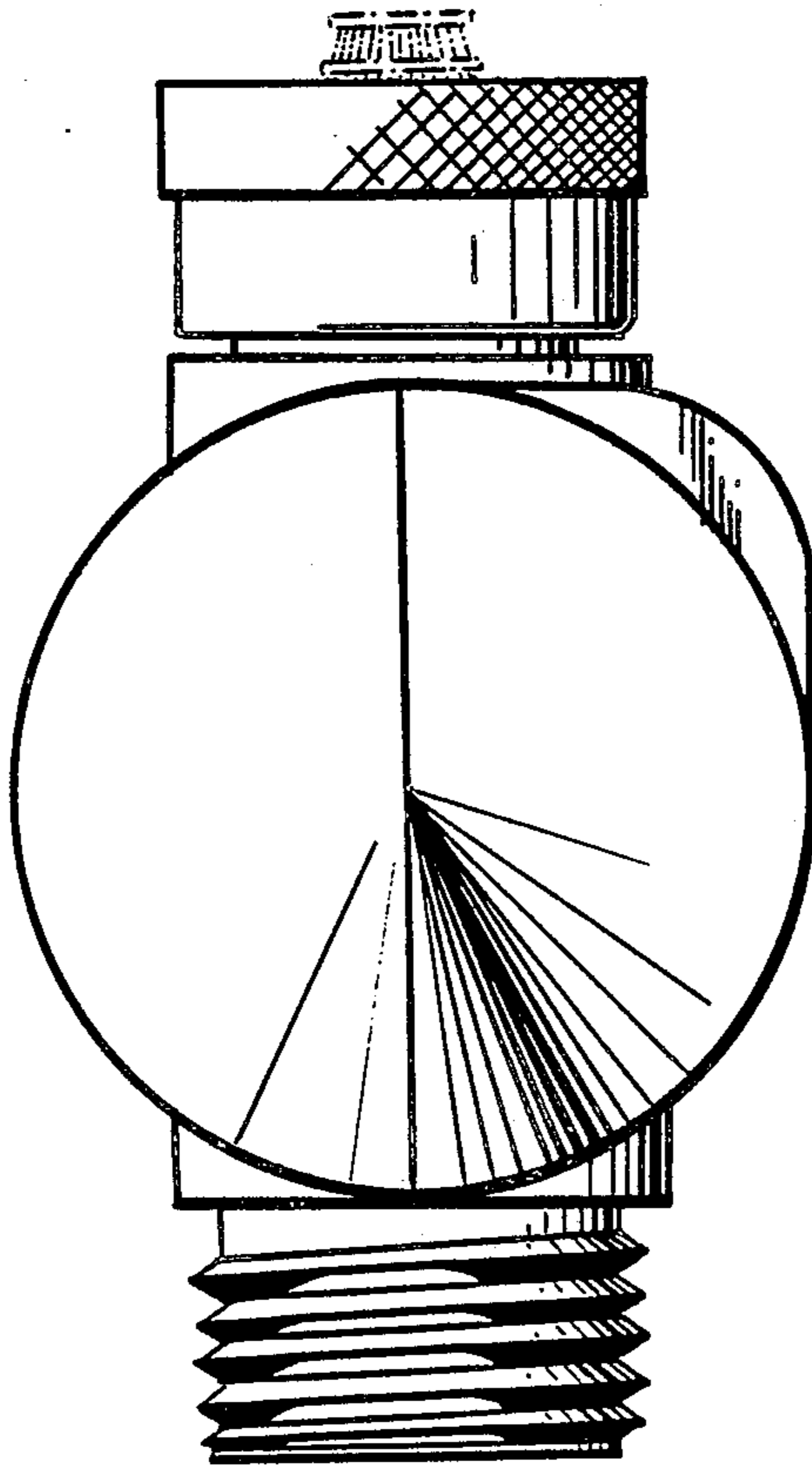


Fig. 6

