

United States Patent [19]

Haug et al.

[11] Patent Number: Des. 295,889

[45] Date of Patent: ** May 24, 1988

[54] **SHOWER HEAD**

[75] Inventors: **Andreas Haug, Altensteig;**
Hans-Peter Leins, Rohrdorf, both of
Fed. Rep. of Germany

[73] Assignee: **Hans Grohe GmbH & Co. KG, Fed.**
Rep. of Germany

[**] Term: **14 Years**

[21] Appl. No.: **772,352**

[22] Filed: **Sep. 4, 1985**

[52] U.S. Cl. **D23/229**

[58] Field of Search **D23/34-37;**
239/383, 438, 443-449

[56] **References Cited**

U.S. PATENT DOCUMENTS

D. 164,822	10/1951	Russell	D23/35
D. 188,644	8/1960	Kohler	D23/35
D. 191,428	9/1961	Leighton	D23/35
D. 215,936	11/1969	Contreras	D23/35
D. 217,606	5/1970	Young	D23/35
D. 261,417	10/1981	Klose	D23/35
D. 282,198	1/1986	Shamos	D23/35

3,547,352	12/1970	Hadsel	239/383
4,117,979	10/1978	Lagarelli et al.	239/449 X
4,324,364	4/1982	Buzzi et al.	239/449 X
4,669,666	6/1987	Finkbeiner	239/438

OTHER PUBLICATIONS

House & Home, Sep. 1959, p. 67, lower right item.

Primary Examiner—James R. Largen

Attorney, Agent, or Firm—Steele, Gould & Fried

[57] **CLAIM**

The ornamental design for a shower head, as shown and described.

DESCRIPTION

FIG. 1 is a perspective view taken from the bottom, front and left side of a shower head showing our new design;

FIG. 2 is a right side elevational view thereof;

FIG. 3 is a left side elevational view thereof;

FIG. 4 is a bottom plan view thereof;

FIG. 5 is a top plan view thereof;

FIG. 6 is a front elevational view thereof;

FIG. 7 is a rear elevational view thereof; and,

FIG. 8 is another front elevational view thereof showing the spray portion in an adjusted position.

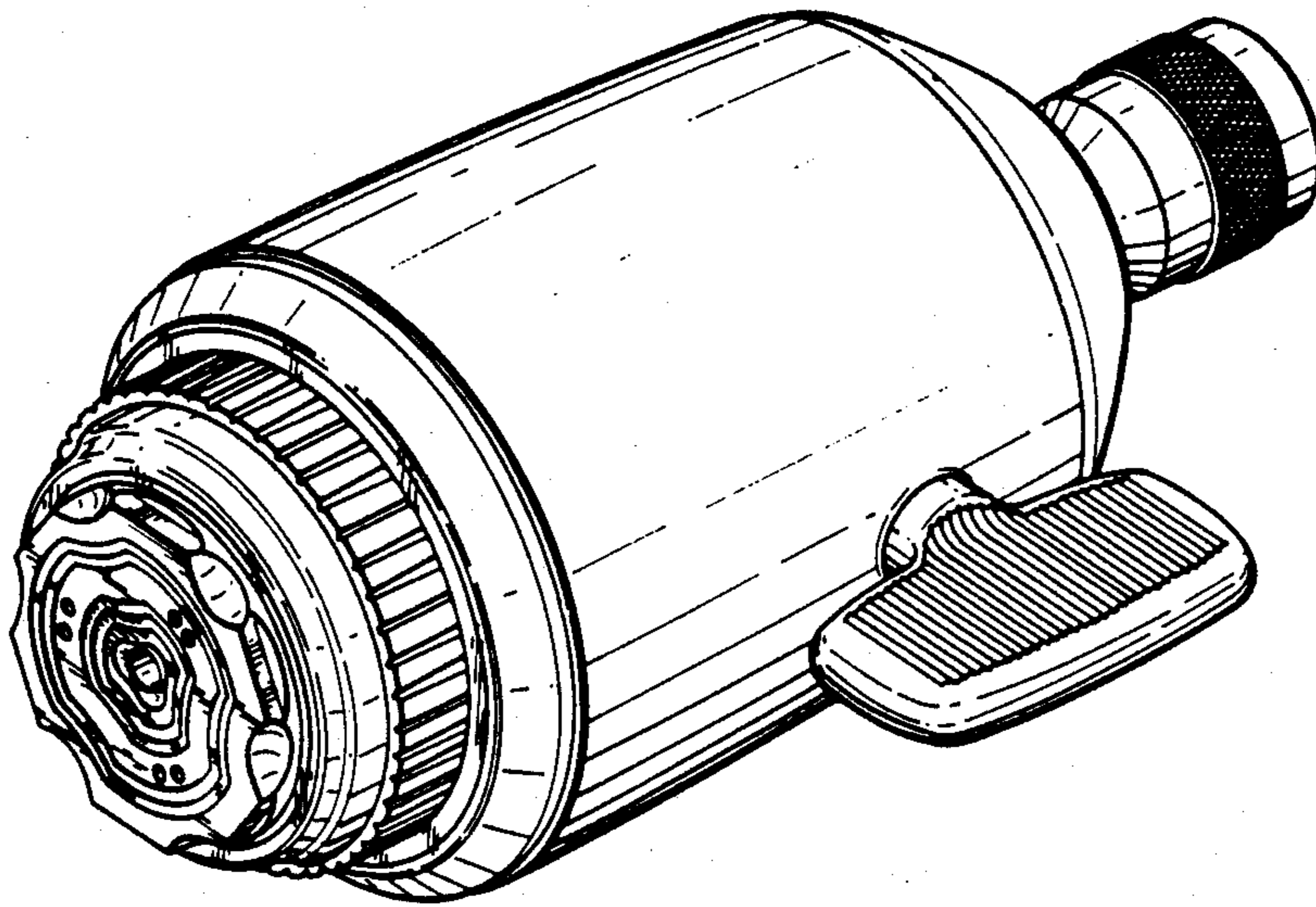


Fig. 1

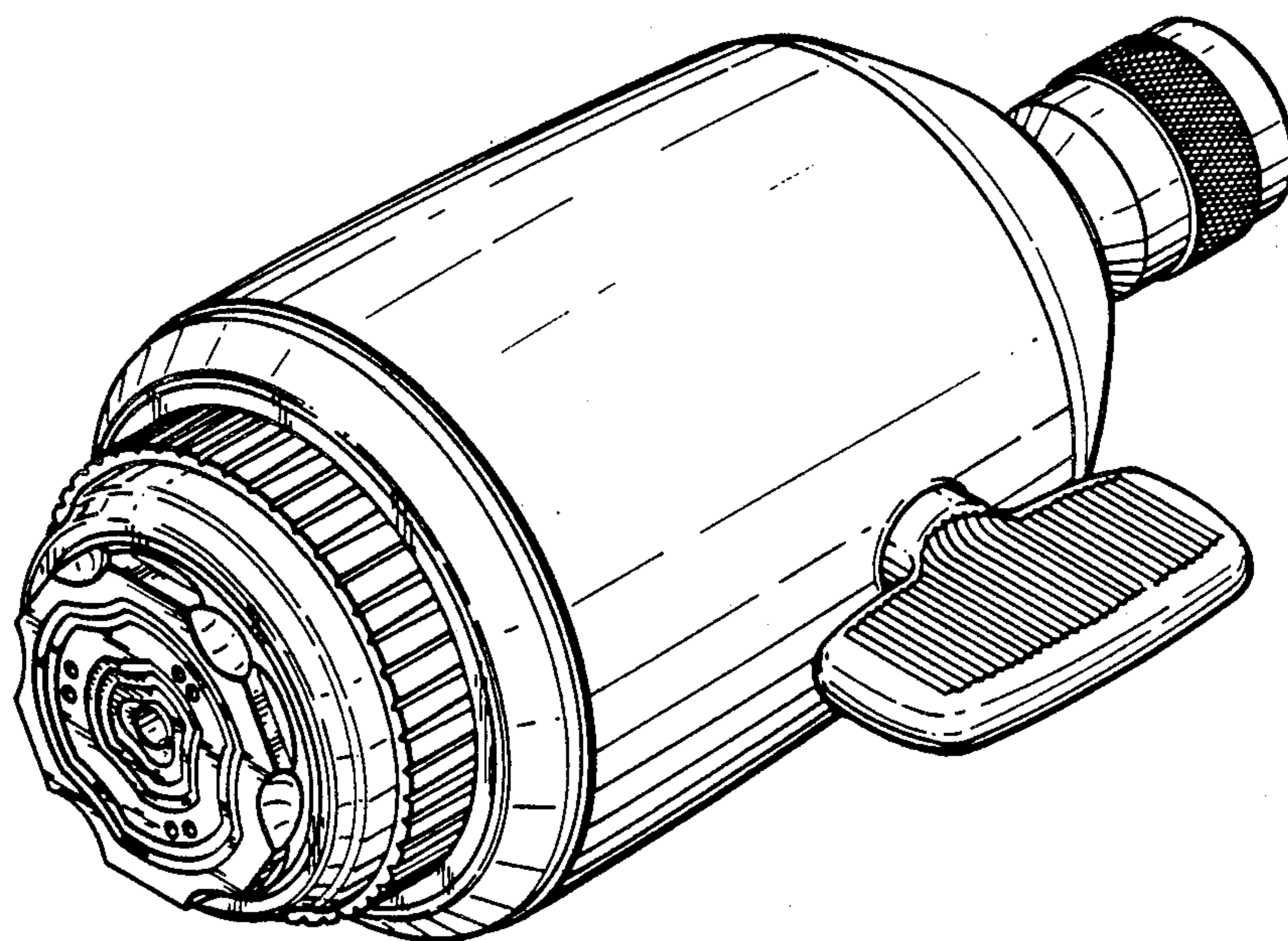


Fig. 2

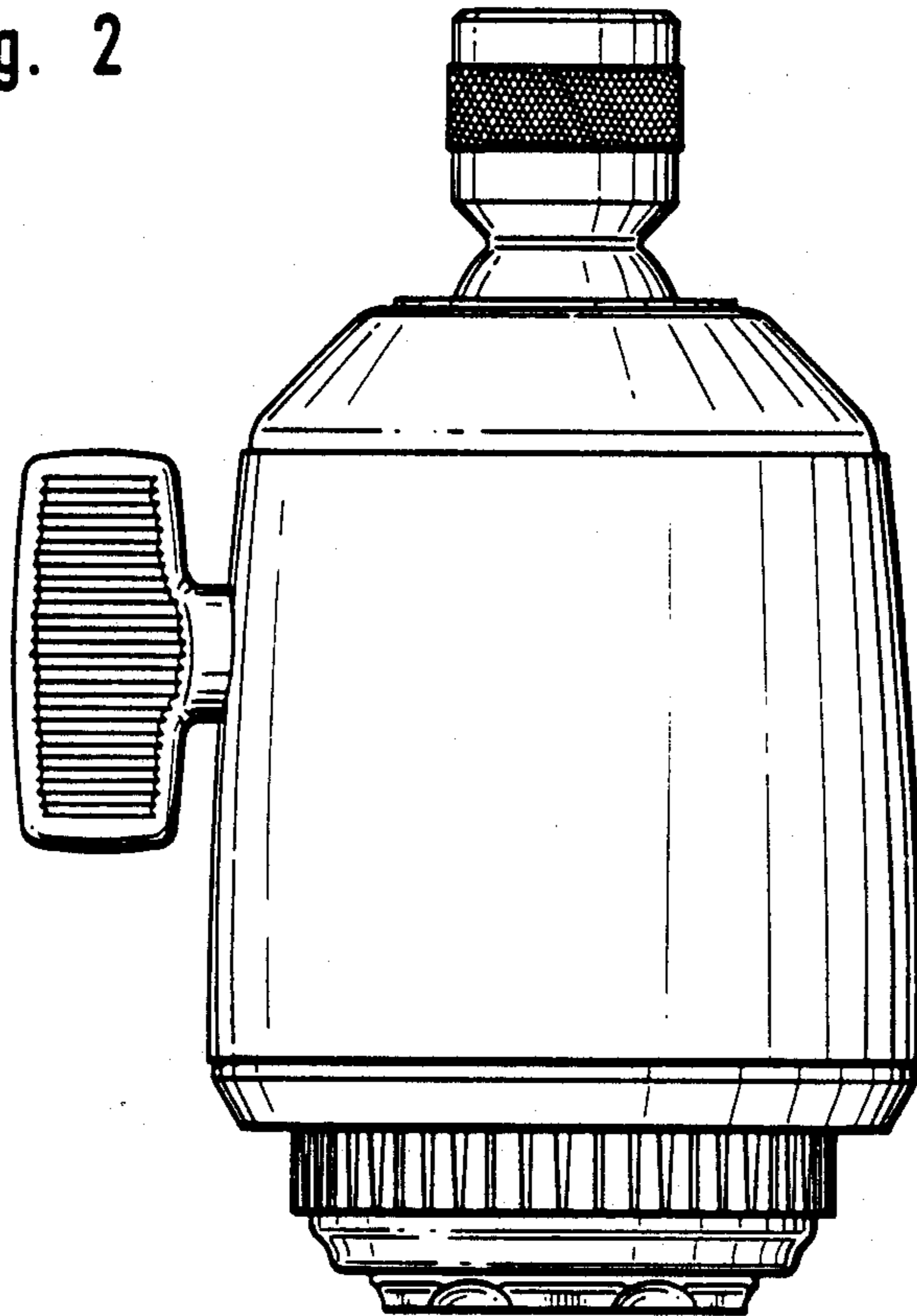


Fig. 4

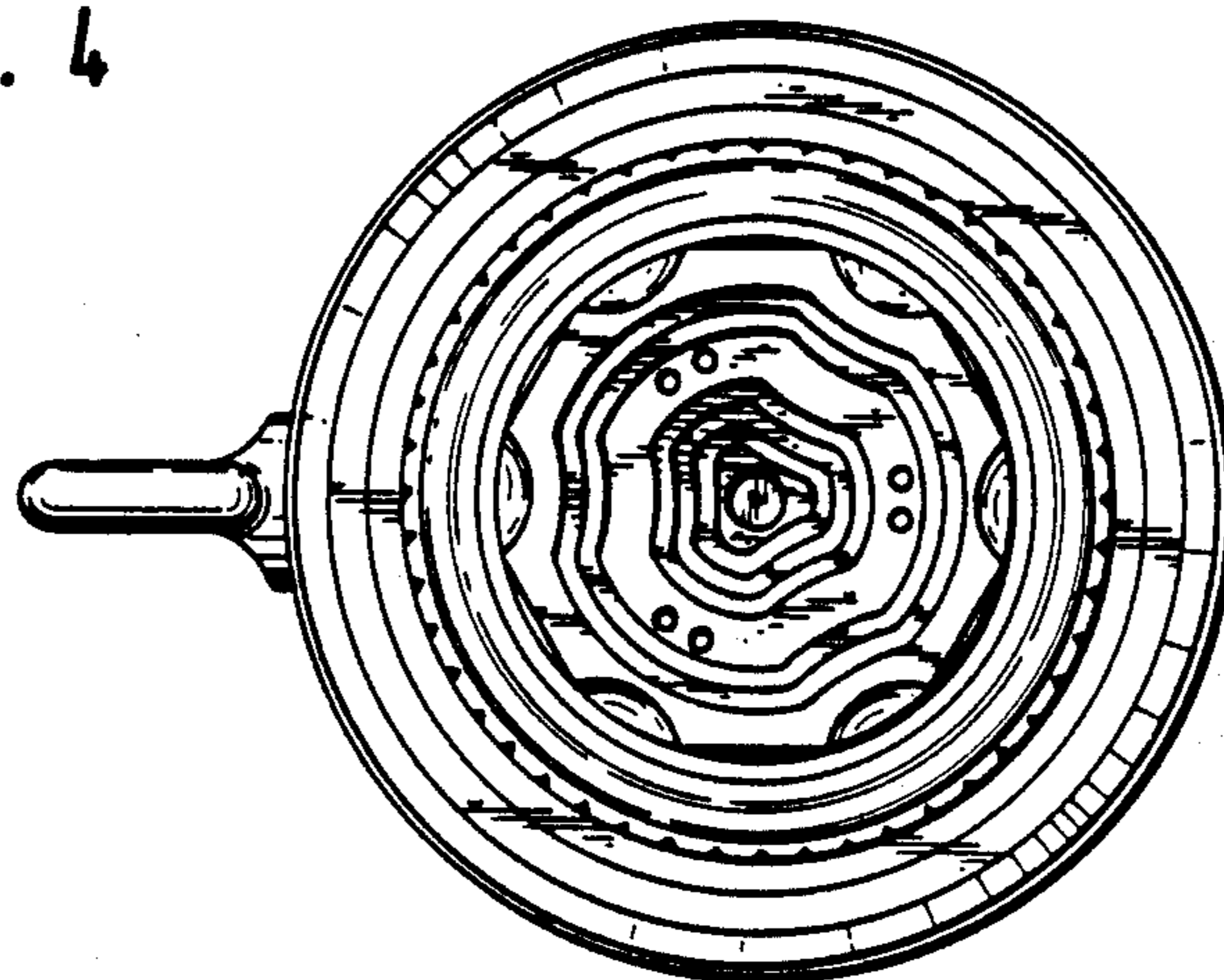


Fig. 5

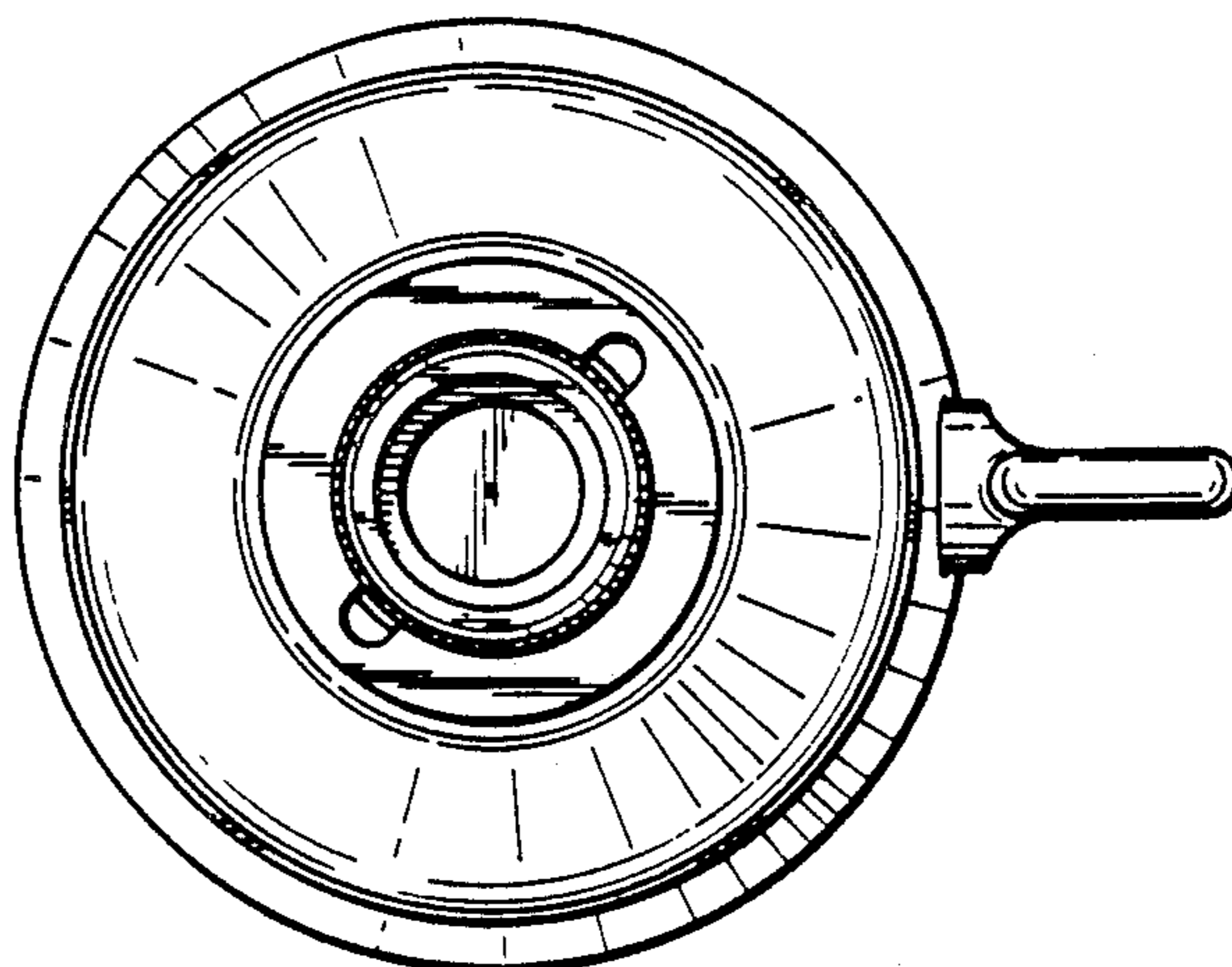


Fig. 3

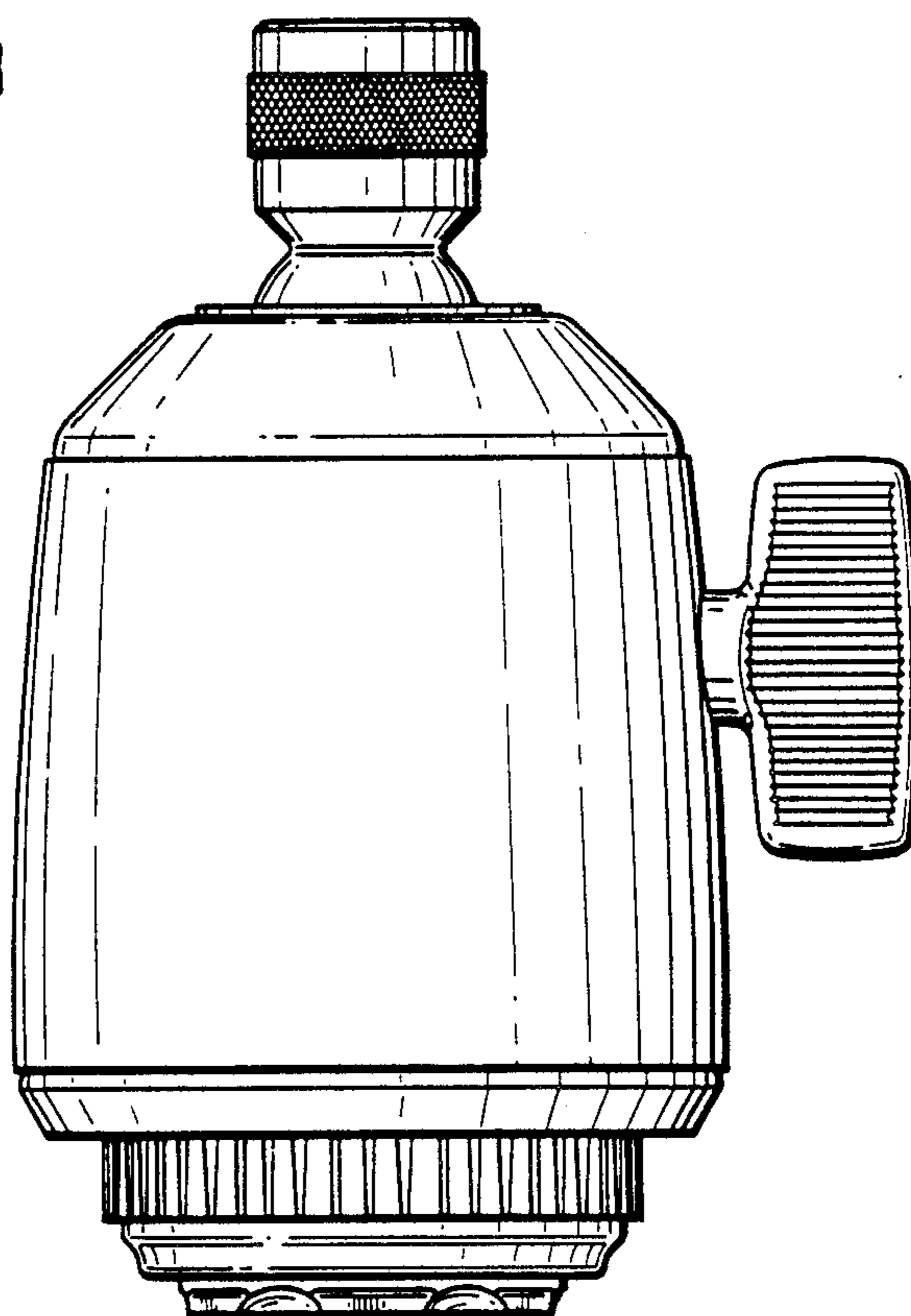


Fig. 6

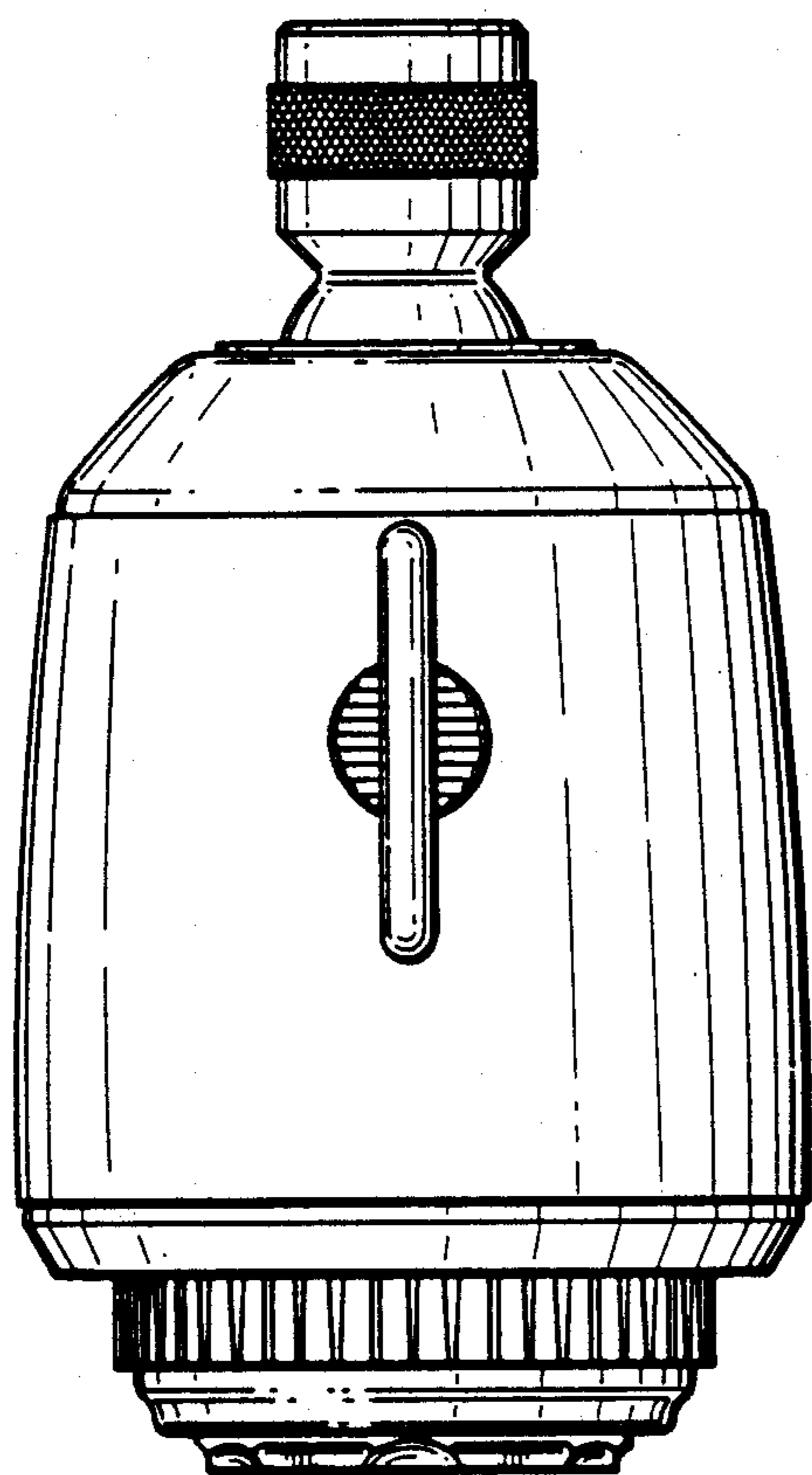


Fig. 7

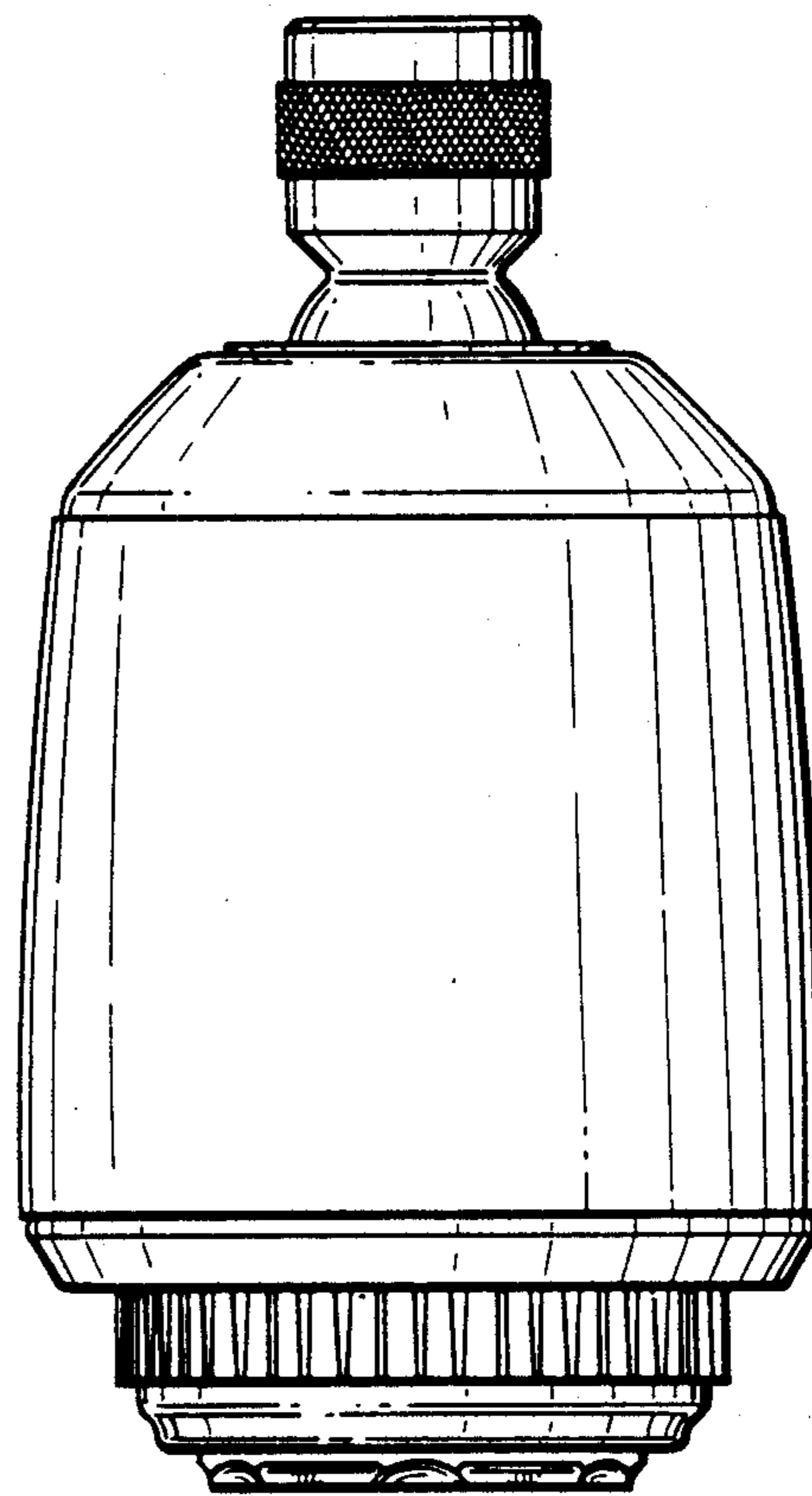
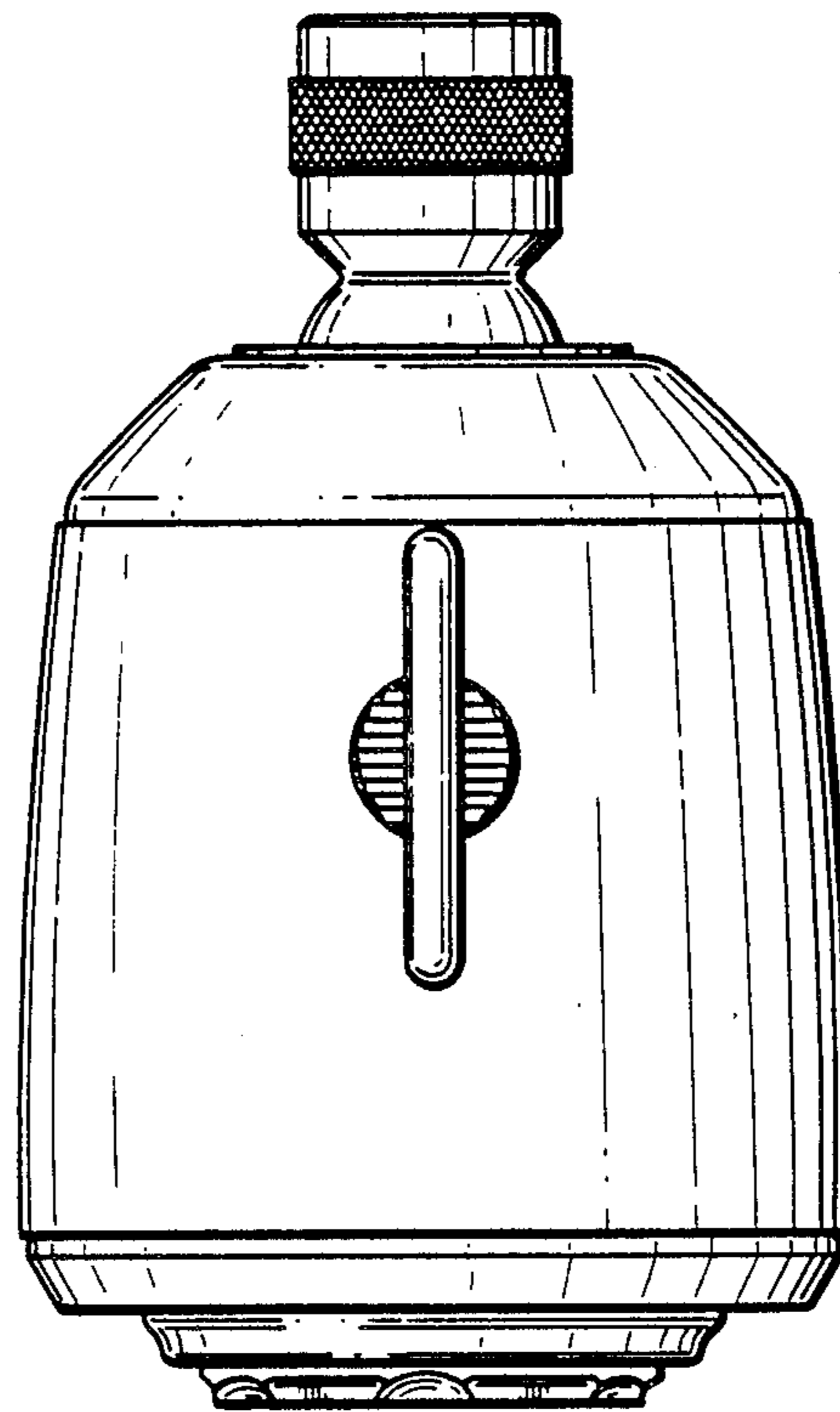


Fig. 8



UNITED STATES PATENT AND TRADEMARK OFFICE
CERTIFICATE OF CORRECTION

PATENT NO. : Des 295,889
DATED : May 24, 1988
INVENTOR(S) : Haug et al.

It is certified that error appears in the above-identified patent and that said Letters Patent is hereby corrected as shown below:

On the cover sheet following line "[22]" insert --

Foreign Application Priority Data

March 15, 1985 Germany Mr 1157 Ob. --.

**Signed and Sealed this
Thirteenth Day of December, 1988**

Attest:

Attesting Officer

DONALD J. QUIGG

Commissioner of Patents and Trademarks