

[54] WATER FILTER

[75] Inventors: Rolf G. Schulein, Singhofen; Rainer Friedrich, Nassau/Lahn, both of Fed. Rep. of Germany

[73] Assignee: Leifheit AG, Nassau/Lahn, Fed. Rep. of Germany

[**] Term: 14 Years

[21] Appl. No.: 881,010

[22] Filed: Jul. 1, 1986

[30] Foreign Application Priority Data

Jan. 8, 1986 [DE] Fed. Rep. of Germany ... DE 6 MR 1511

[52] U.S. Cl. D23/207

[58] Field of Search D23/3, 4, 146, 148; 210/198.1, 257.1, 282, 288, 295, 416.3, 443-449, 94

[56] References Cited

U.S. PATENT DOCUMENTS

- D. 235,015 4/1975 Stern D23/3
- D. 249,275 9/1978 Mackay et al. D23/4
- D. 274,929 7/1984 Davis et al. D23/3
- D. 282,618 2/1986 McBrien D7/310 X
- D. 283,044 3/1986 Jack D23/3

- D. 288,885 3/1987 Kahlcke D7/309
- D. 290,216 6/1987 Precut D7/309
- 1,527,057 2/1925 Heydrich et al. 210/385
- 2,017,456 10/1935 Gudmundsen 210/105
- 3,561,506 2/1971 Johnson 141/360

FOREIGN PATENT DOCUMENTS

- 0166022 1/1986 European Pat. Off. .
- 2091499 1/1972 France .
- 0023444 2/1981 European Pat. Off. .
- 2609846 9/1977 Fed. Rep. of Germany .
- 131488 4/1919 United Kingdom .
- 2392940 12/1978 France .

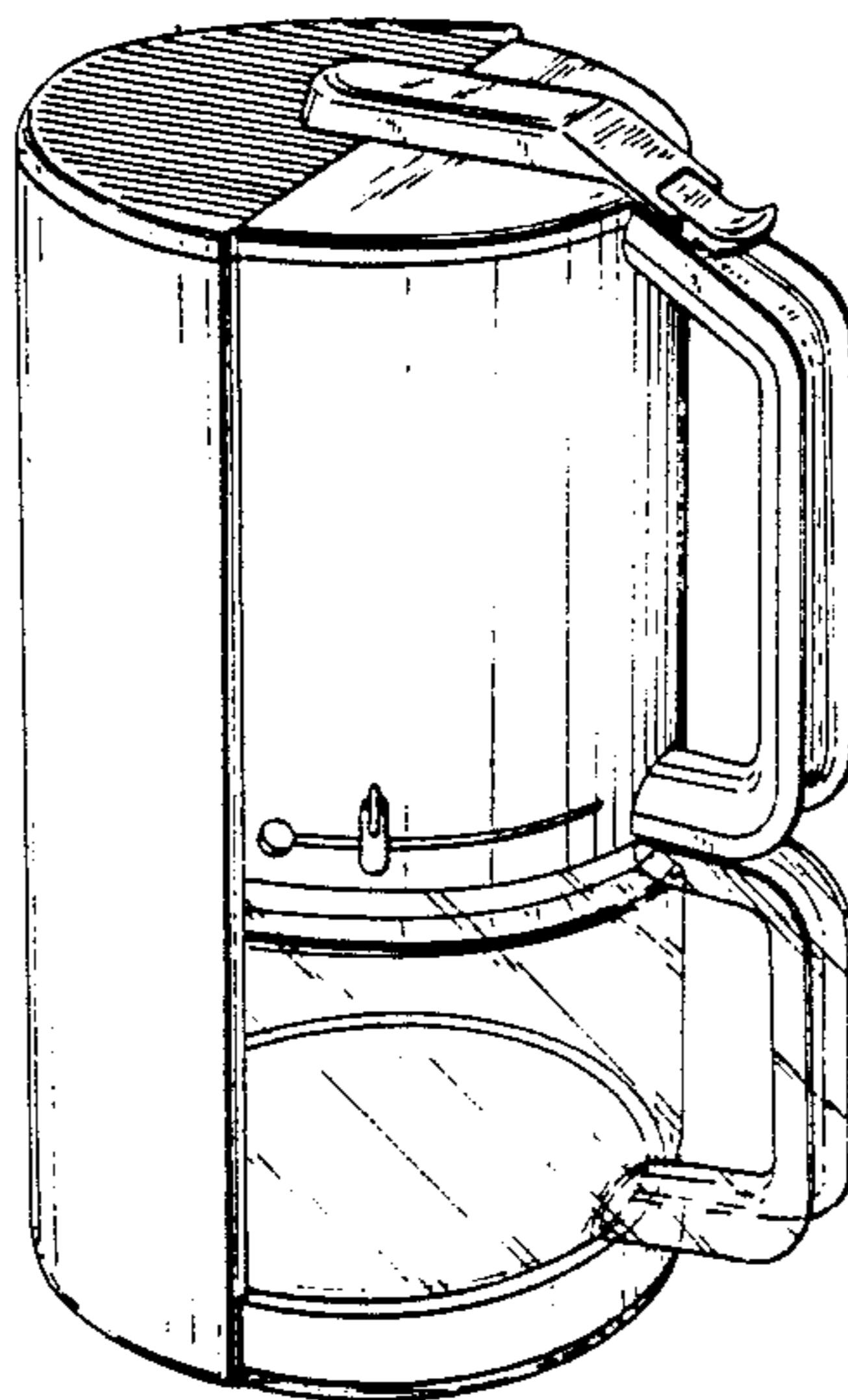
Primary Examiner—Wallace R. Burke
Assistant Examiner—Brian N. Vinson
Attorney, Agent, or Firm—Frishauf, Holtz, Goodman & Woodward

[57] CLAIM

The ornamental design for a water filter, as shown.

DESCRIPTION

FIG. 1 is a front, right perspective view of a water filter, showing our new design;
FIG. 2 is a rear elevational view thereof;
FIG. 3 is a right side elevational view thereof;
FIG. 4 is a top plan view thereof;
FIG. 5 is a left side elevational view thereof; and
FIG. 6 is a bottom plan view thereof.



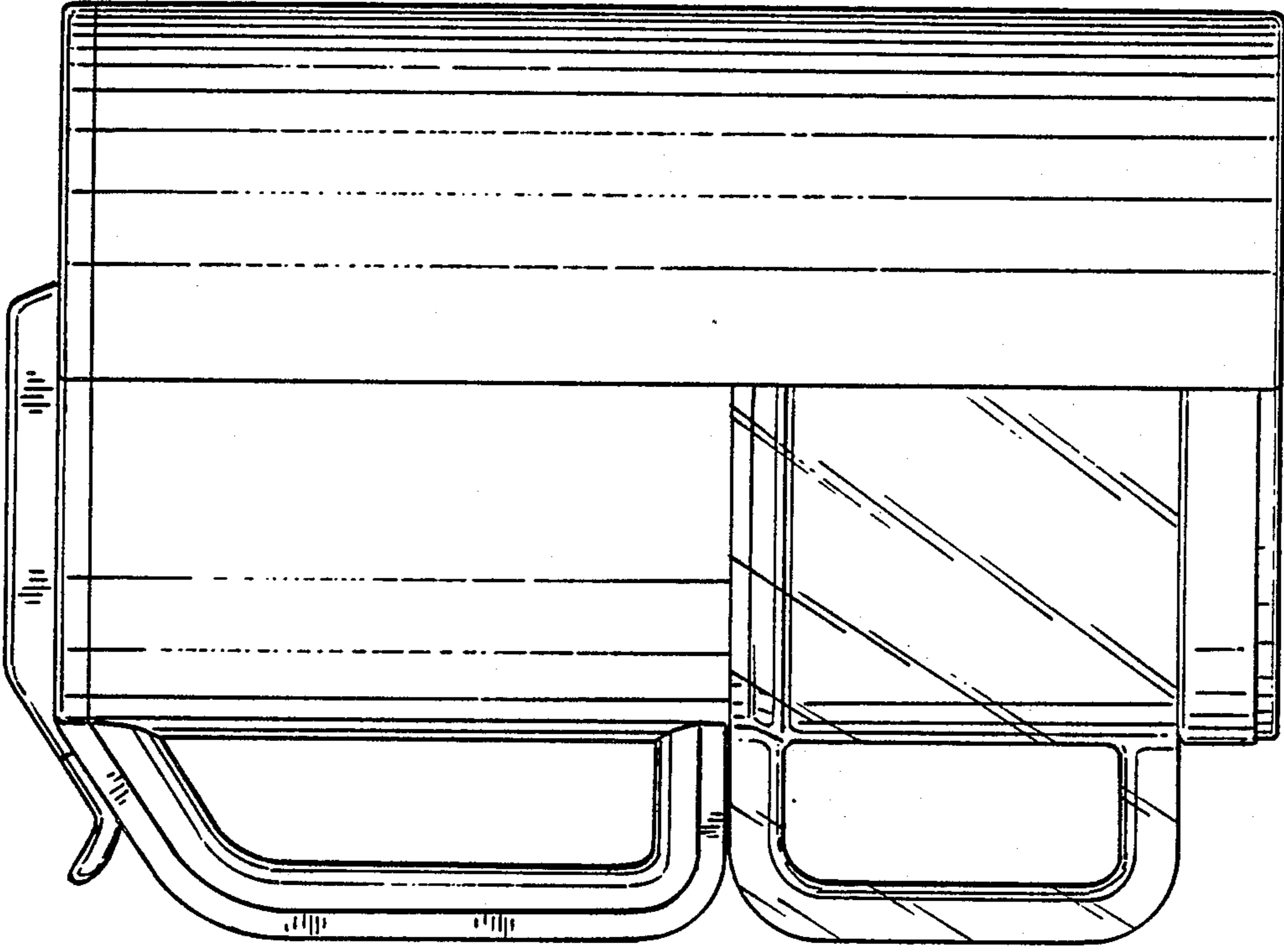


FIG. 2

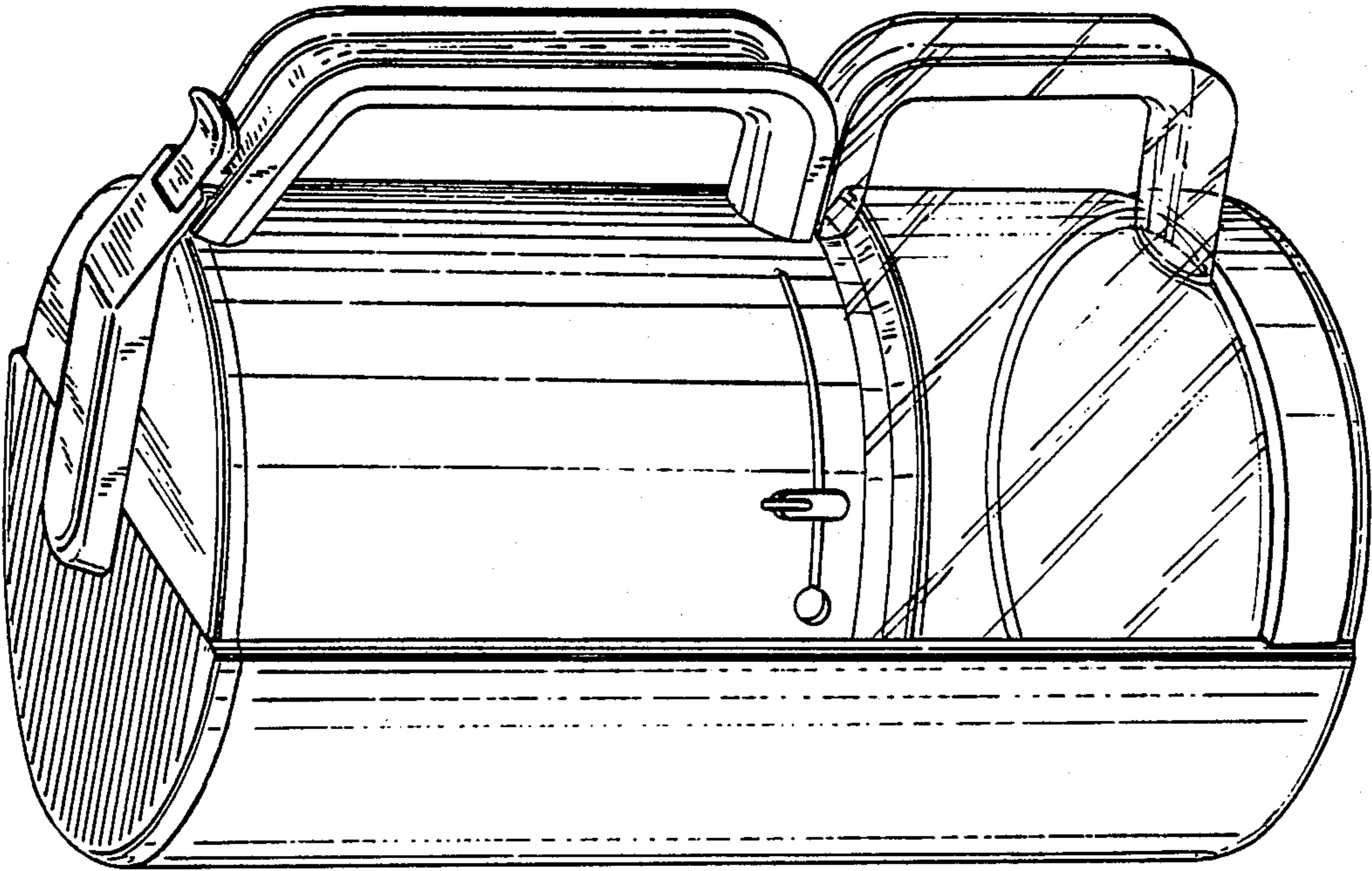


FIG. 1

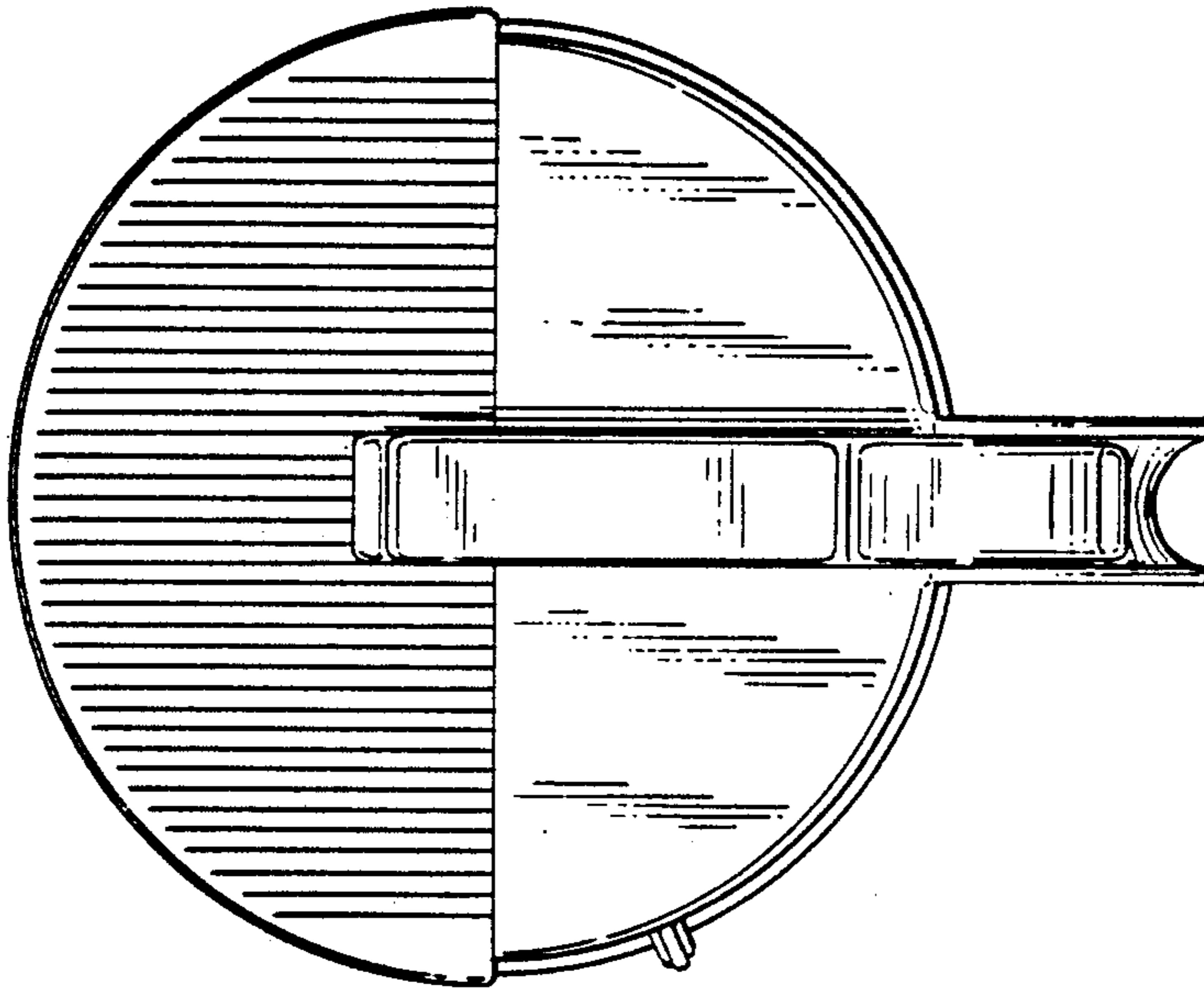


FIG. 4

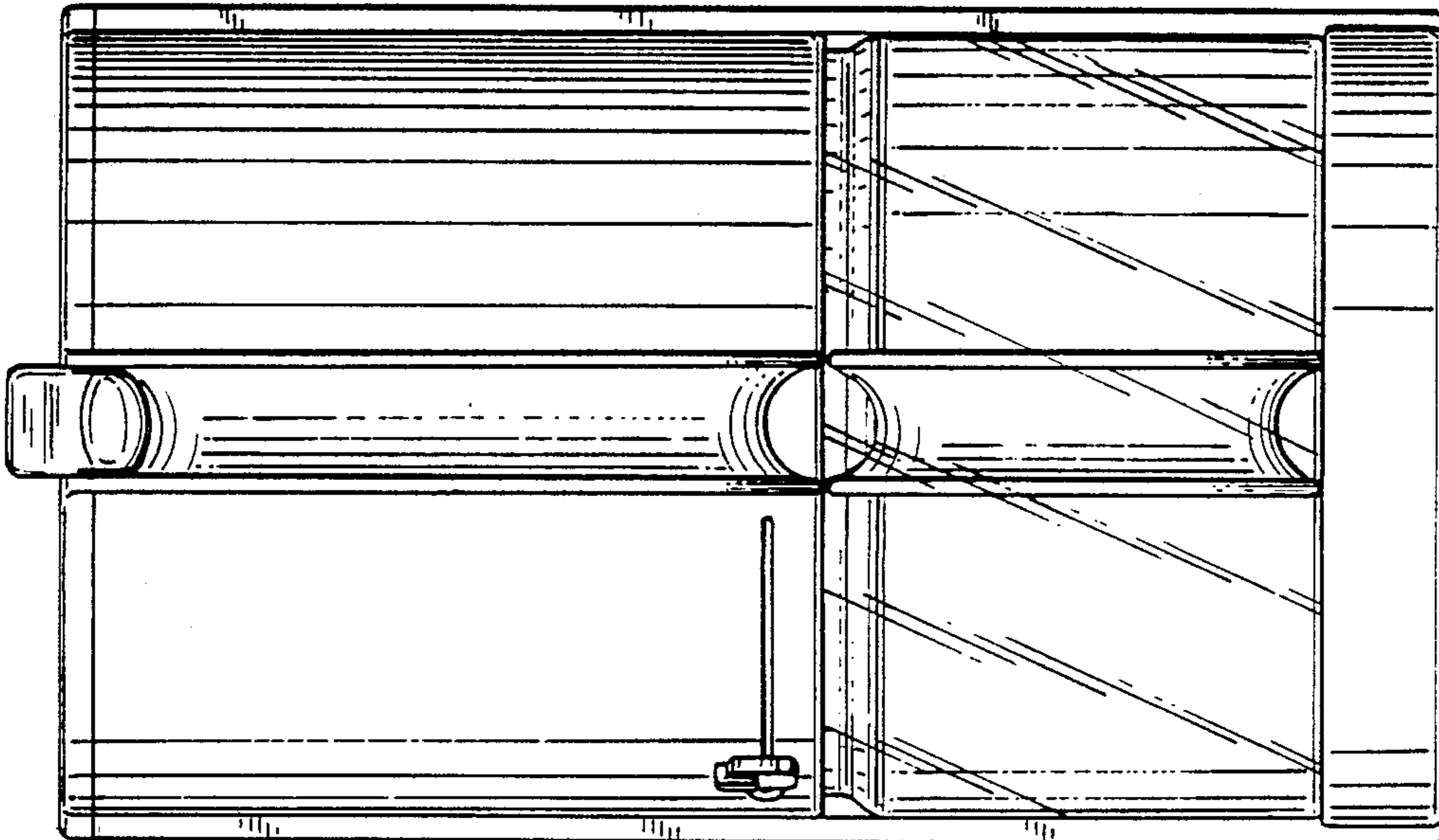


FIG. 3

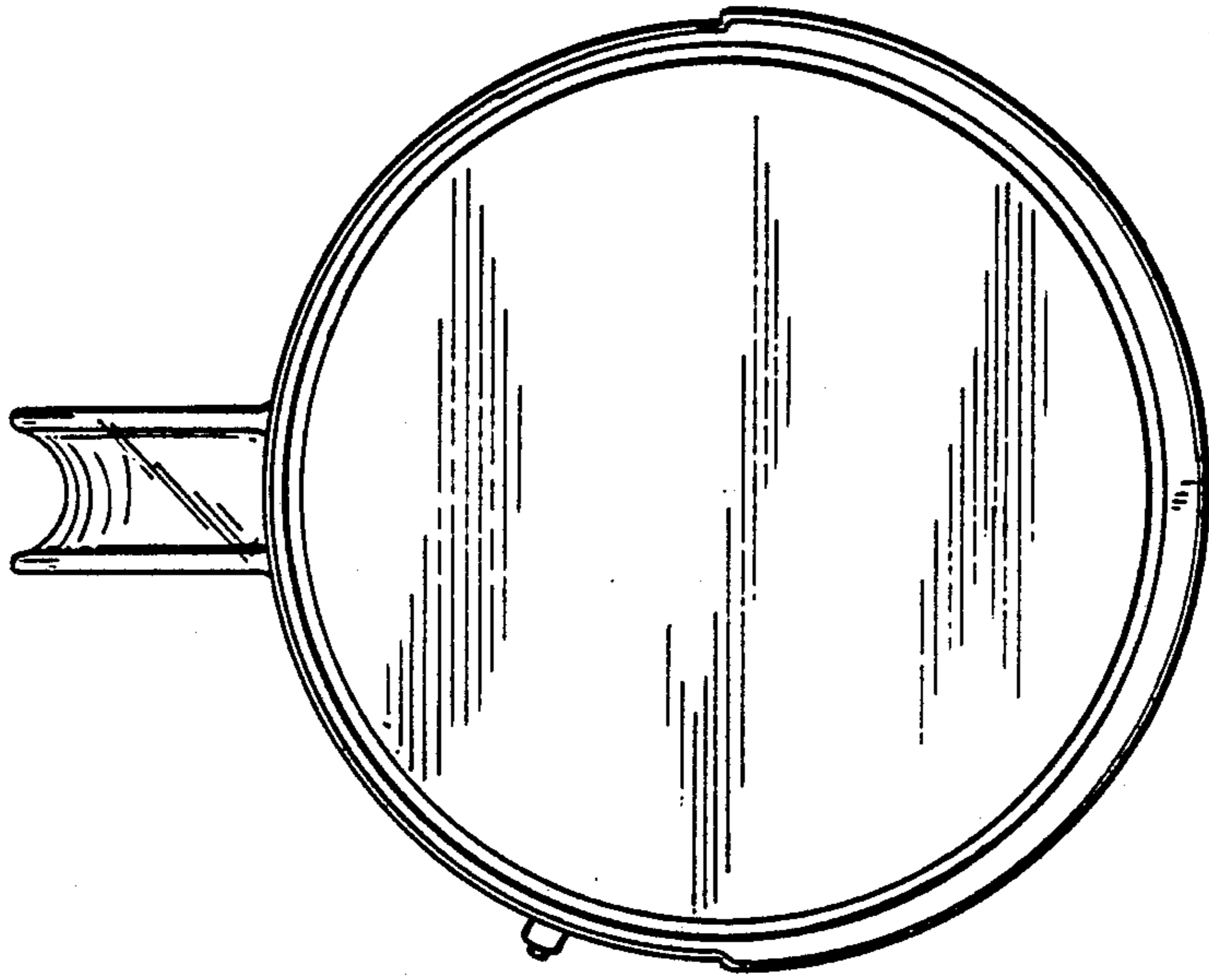


FIG. 6

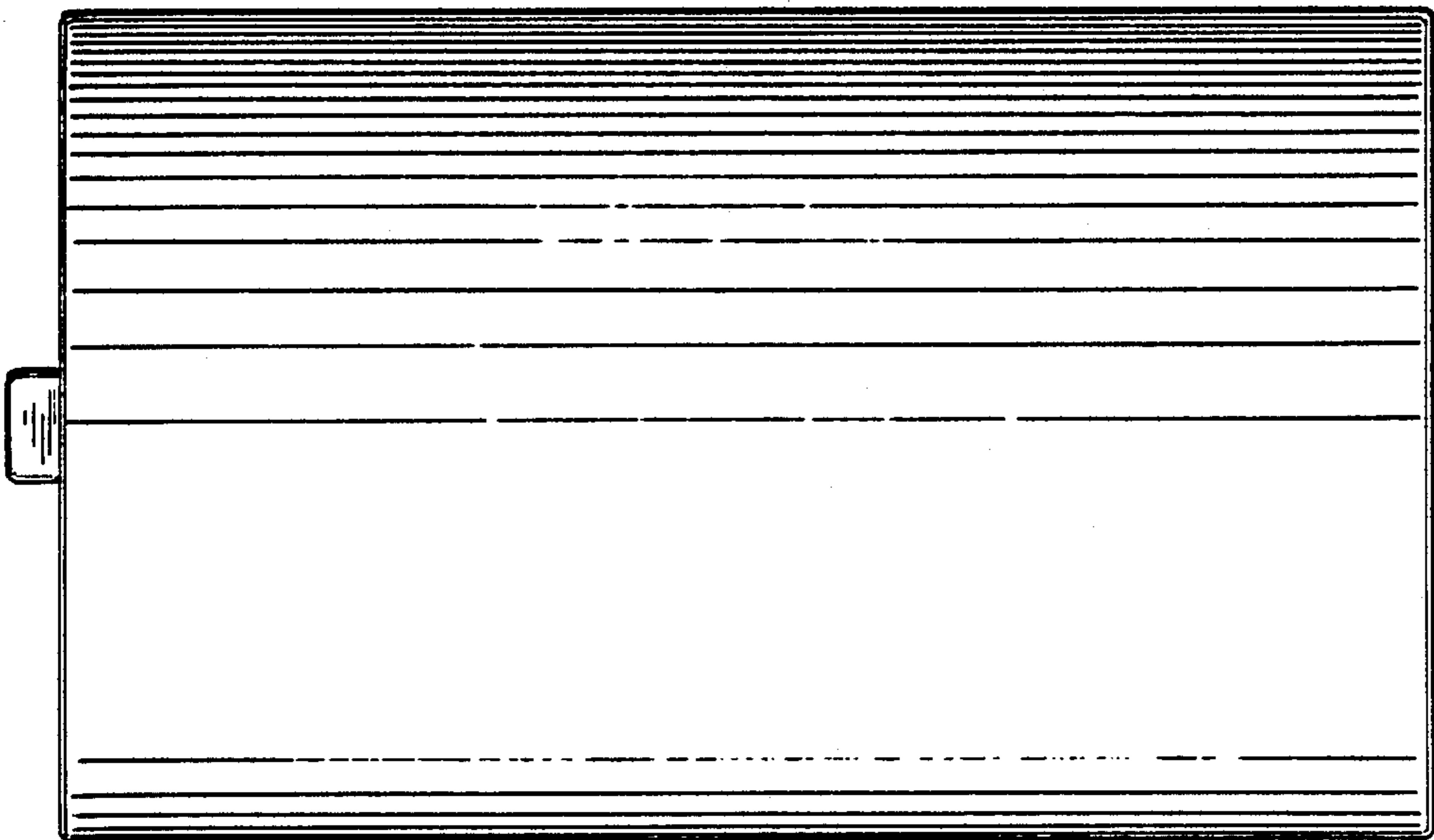


FIG. 5