

[54] INSECT GUARD

[76] Inventor: Charles R. Johnson, 6786 Pembroke, San Antonio, Tex. 78240

[**] Term: 14 Years

[21] Appl. No.: 767,883

[22] Filed: Aug. 21, 1985

[52] U.S. Cl. D22/119

[58] Field of Search D22/119, 122; 43/107, 43/121, 122, 131, 132.1, 133; D30/124, 128; 119/51 R

[56] References Cited

U.S. PATENT DOCUMENTS

D. 209,394 11/1967 deMoraga D22/122
2,891,508 6/1959 Bower D30/128 X

Primary Examiner—A. Hugo Word
Attorney, Agent, or Firm—John C. Stahl

[57] CLAIM

The ornamental design for an insect guard, as shown.

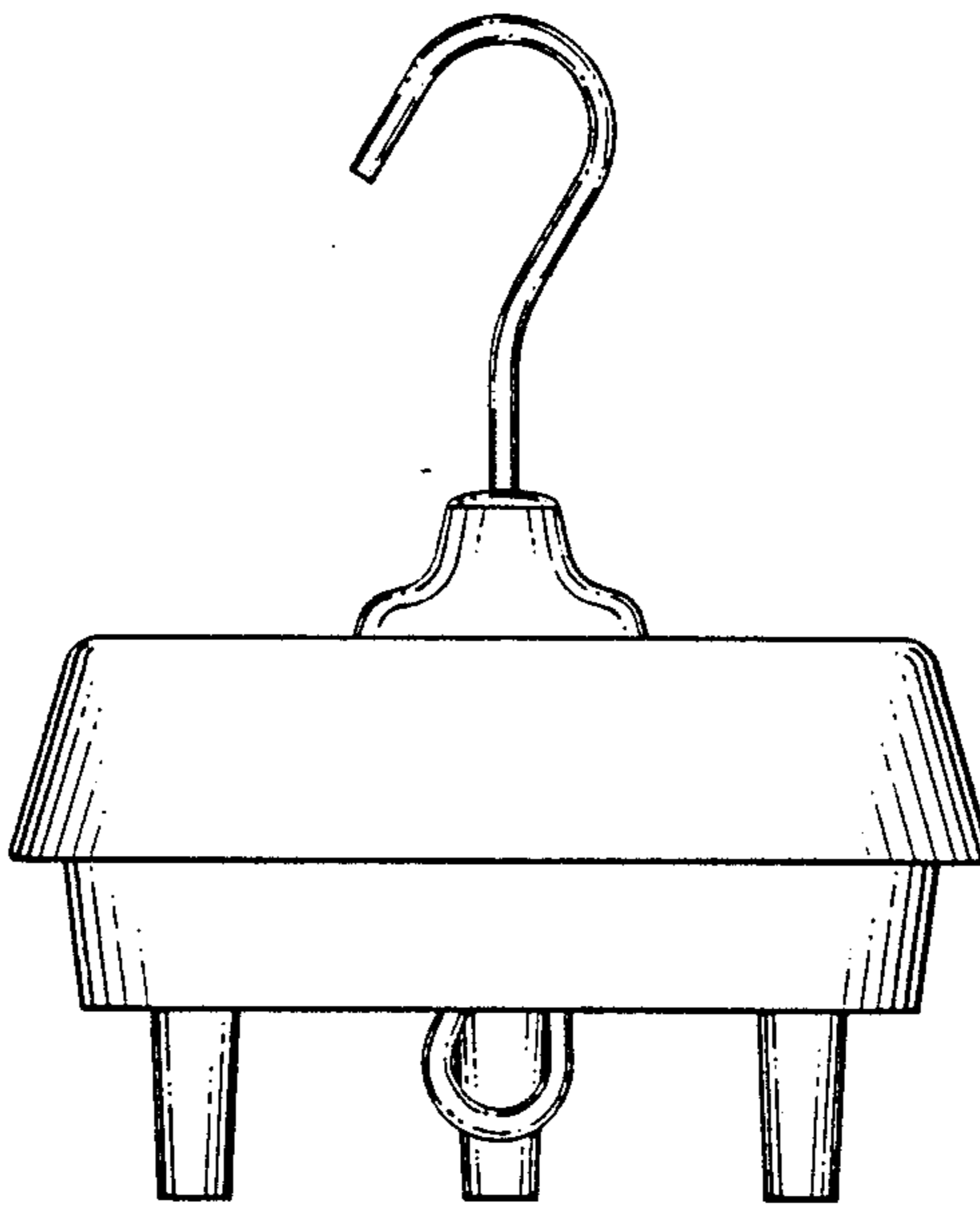
DESCRIPTION

FIG. 1 is a side elevational view of an insect guard, showing my new design.

FIG. 2 is a side elevational view, rotated ninety degrees in a counter-clockwise direction, relative to FIG. 1.

FIG. 3 is a vertical sectional view, taken along the medial plane, of FIG. 1.

FIG. 4 is a top plan view of FIG. 1; and
FIG. 5 is a bottom plan view of FIG. 1.



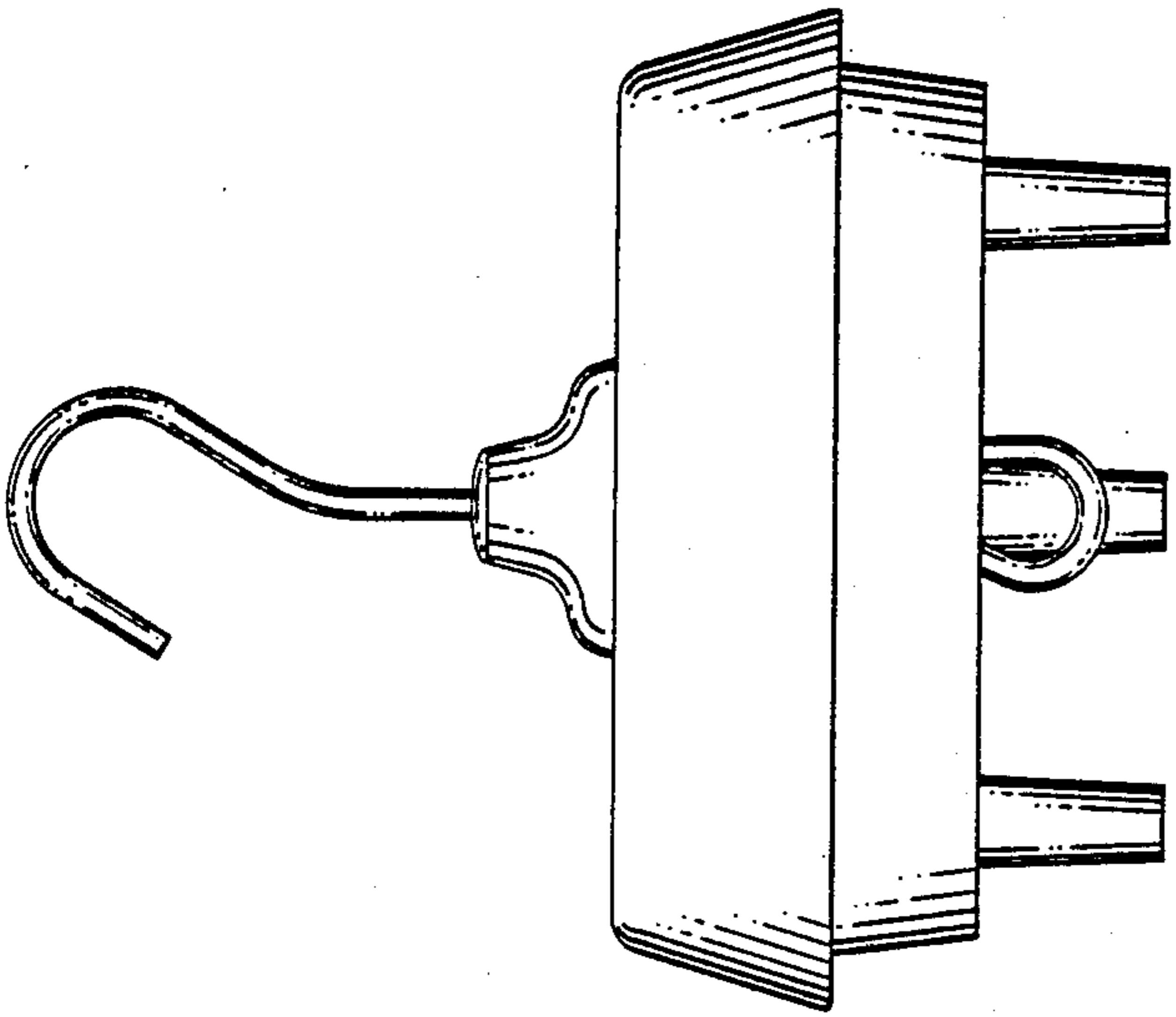


FIG. 1

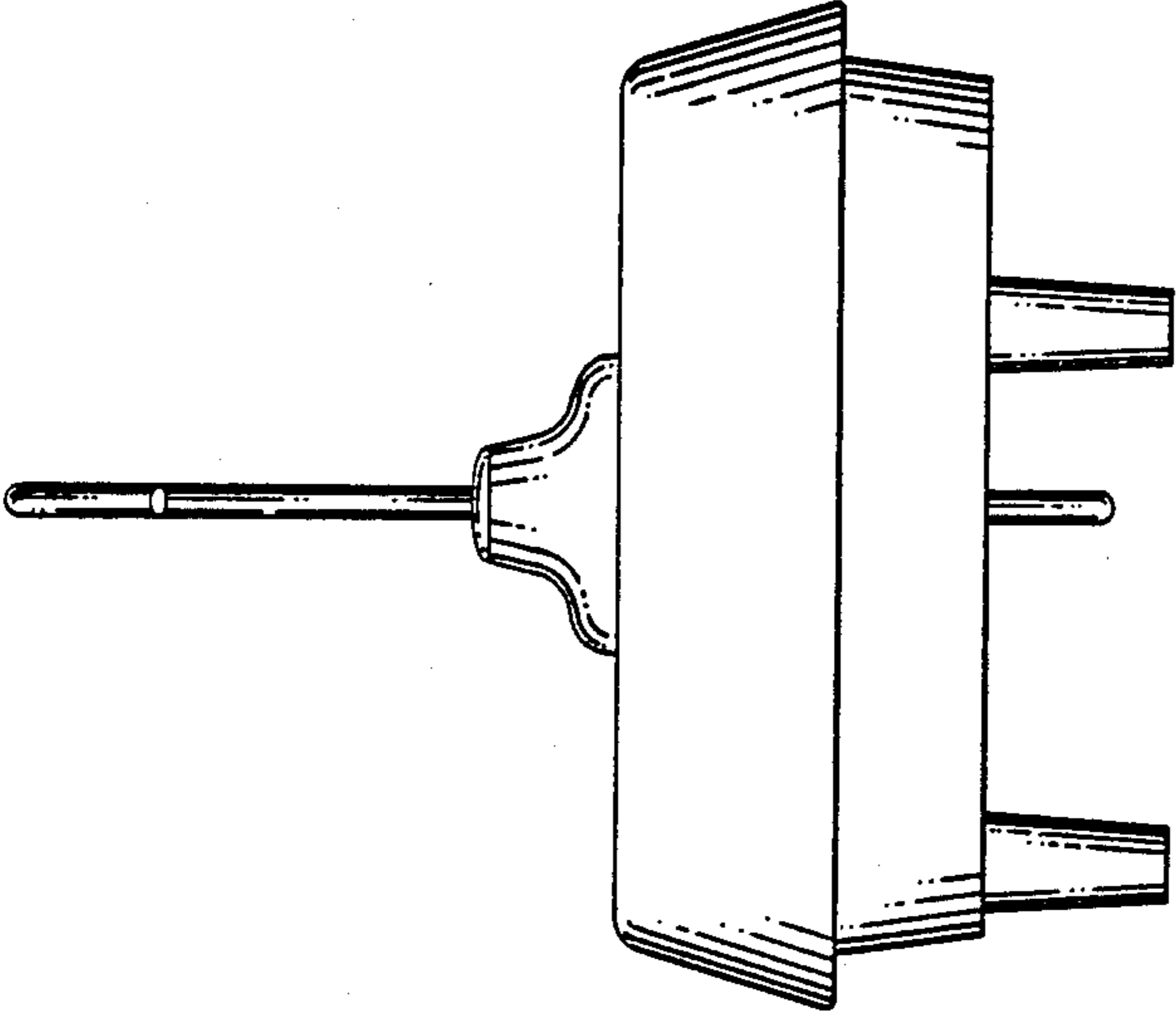


FIG. 2

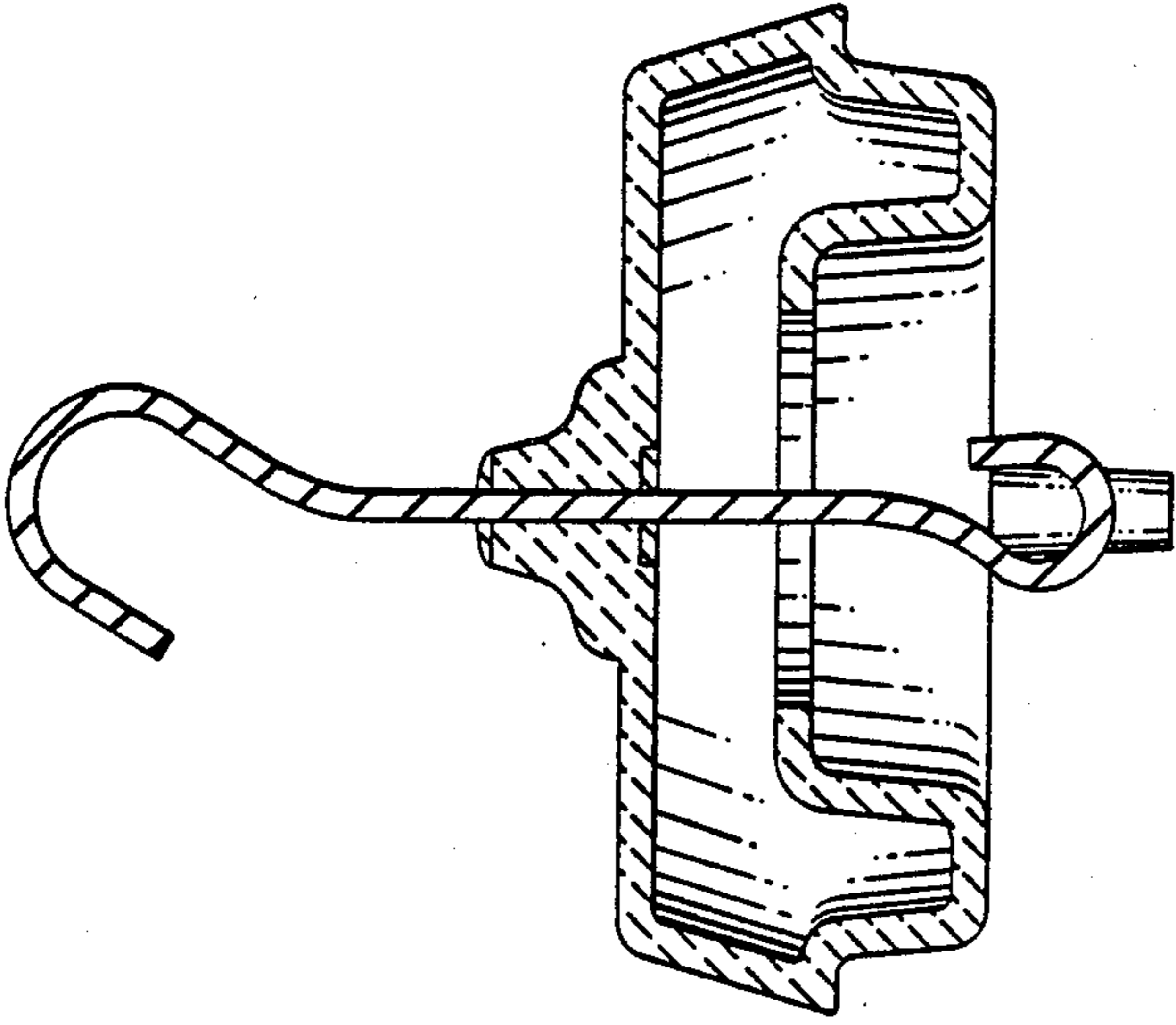


FIG. 3

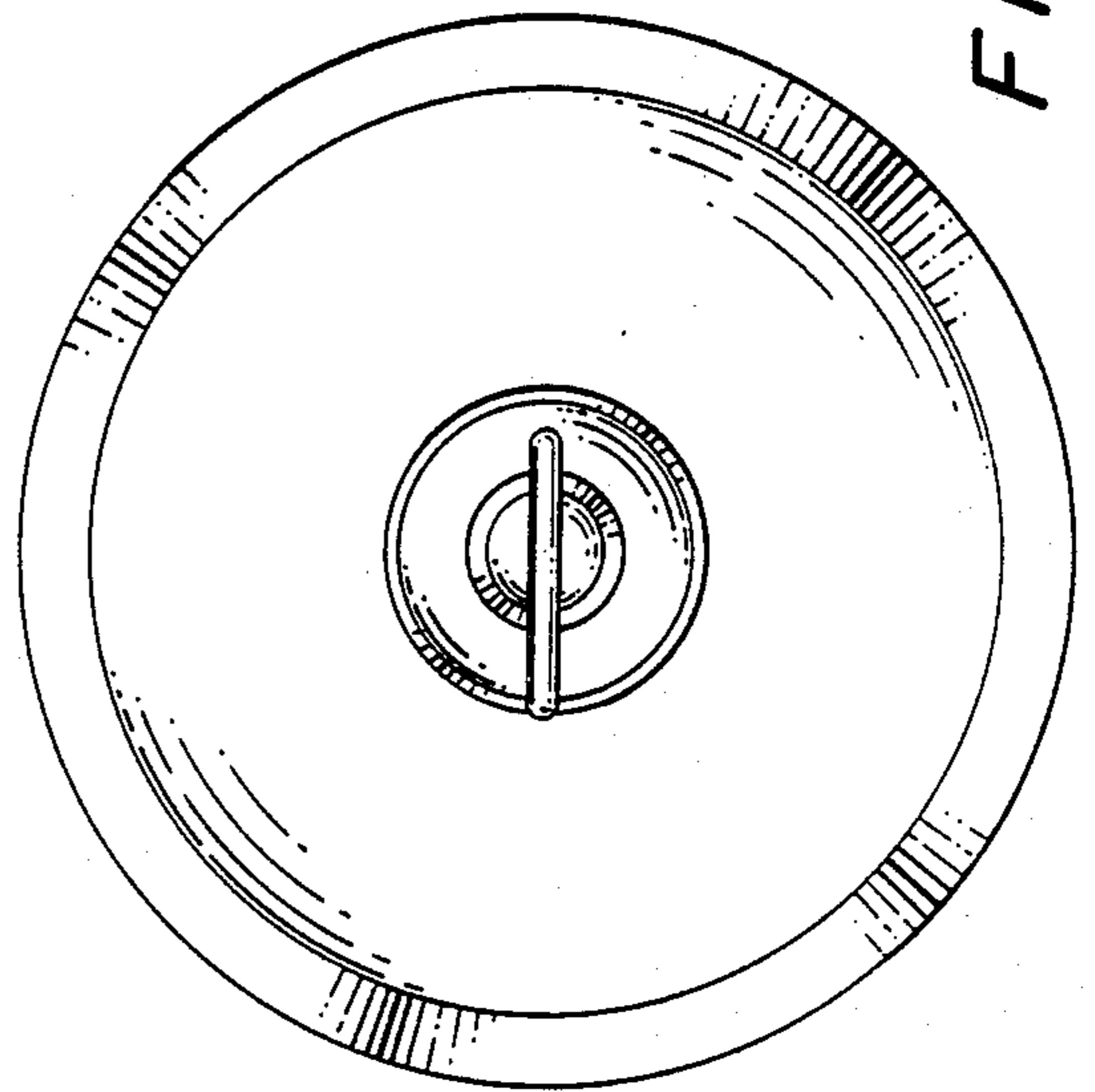


FIG. 4

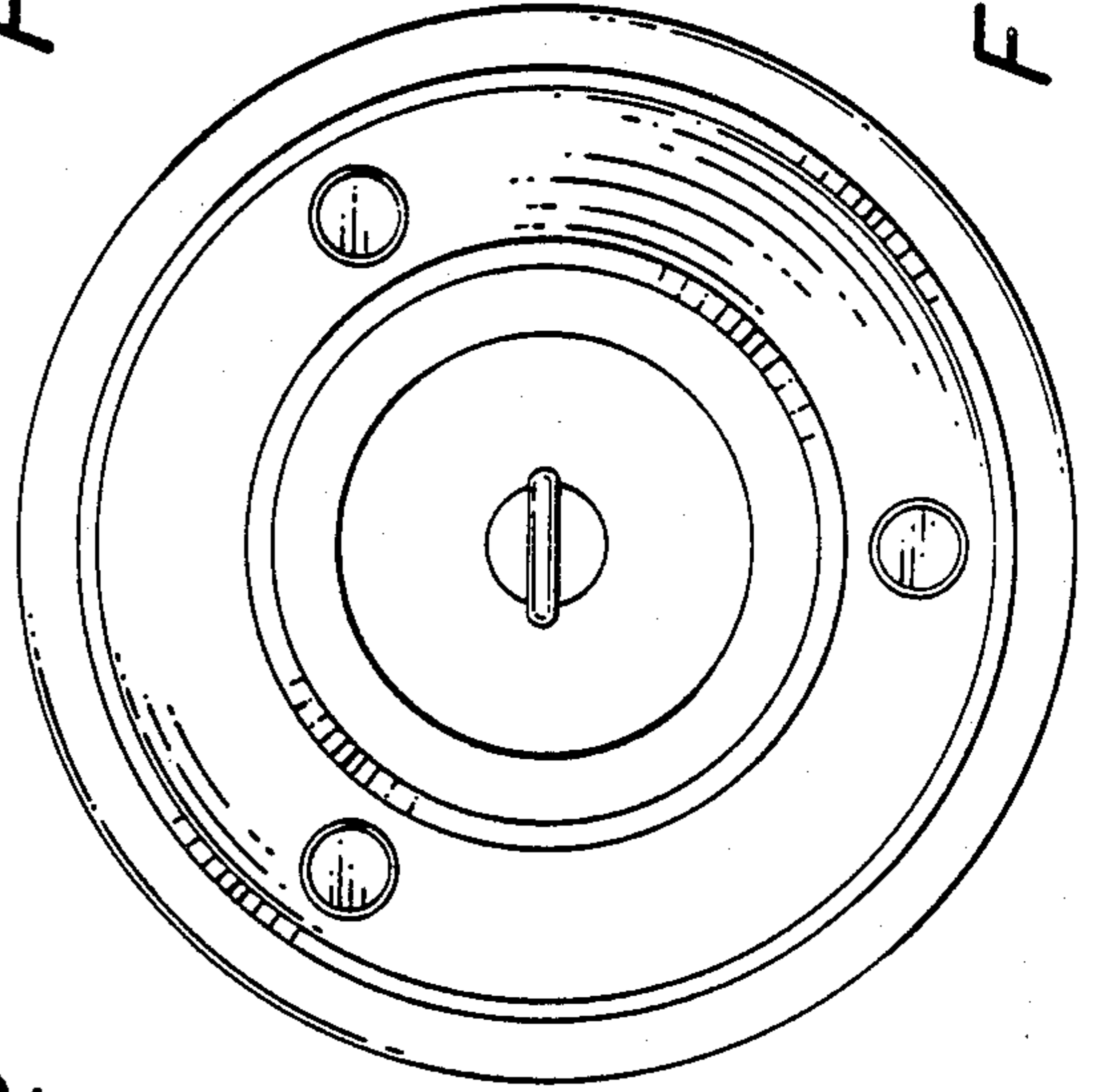


FIG. 5