

[54] **SLIP-ON GRIP FOR MUSICAL DRUMSTICKS**

[76] **Inventor: Angelo N. Koumarianos, 287 Main St., South River, N.J. 08882**

[\*\*] **Term: 14 Years**

[21] **Appl. No.: 766,194**

[22] **Filed: Nov. 4, 1985**

[52] **U.S. Cl. .... D17/22; 84/422 S**

[58] **Field of Search ..... D17/22, 99; D24/99; 84/422 R, 422 S, 422 H**

[56] **References Cited**

**U.S. PATENT DOCUMENTS**

- |            |         |                  |          |
|------------|---------|------------------|----------|
| D. 220,542 | 4/1971  | Russell .....    | D17/22   |
| D. 247,117 | 10/1977 | Okamoto .....    | D24/99   |
| D. 271,114 | 10/1983 | Brochstein ..... | D17/22   |
| 4,488,470  | 12/1984 | Larrain .....    | 84/422.5 |

**OTHER PUBLICATIONS**

Slingerland Catalog No. 65, p. 41, bottom right—No. 790.

*Primary Examiner*—Bernard Ansher  
*Assistant Examiner*—Theodore M. Shooman  
*Attorney, Agent, or Firm*—Arthur L. Lessler

[57] **CLAIM**

The ornamental design for a slip-on grip for musical drumsticks, as shown and described.

**DESCRIPTION**

FIG. 1 is a top, front and left side perspective view of a slip-on grip for musical drumsticks showing my new design;

FIG. 2 is a front elevational view thereof, the rear and bottom being identical;

FIG. 3 is a left side elevational view thereof; and

FIG. 4 is a right side elevation view thereof.

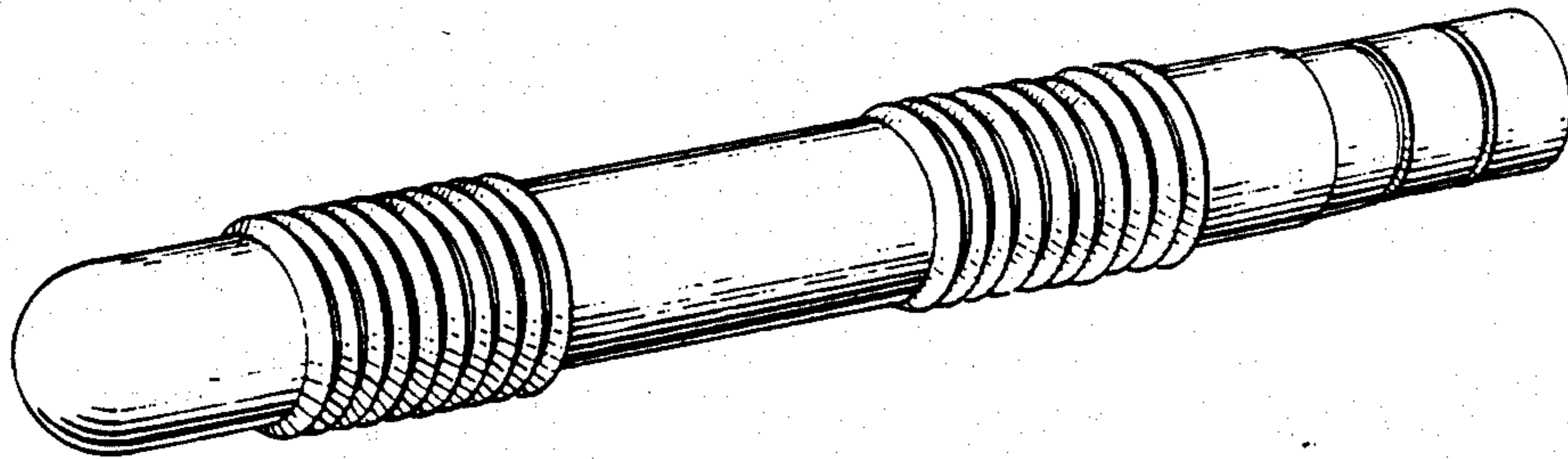


FIG. 1

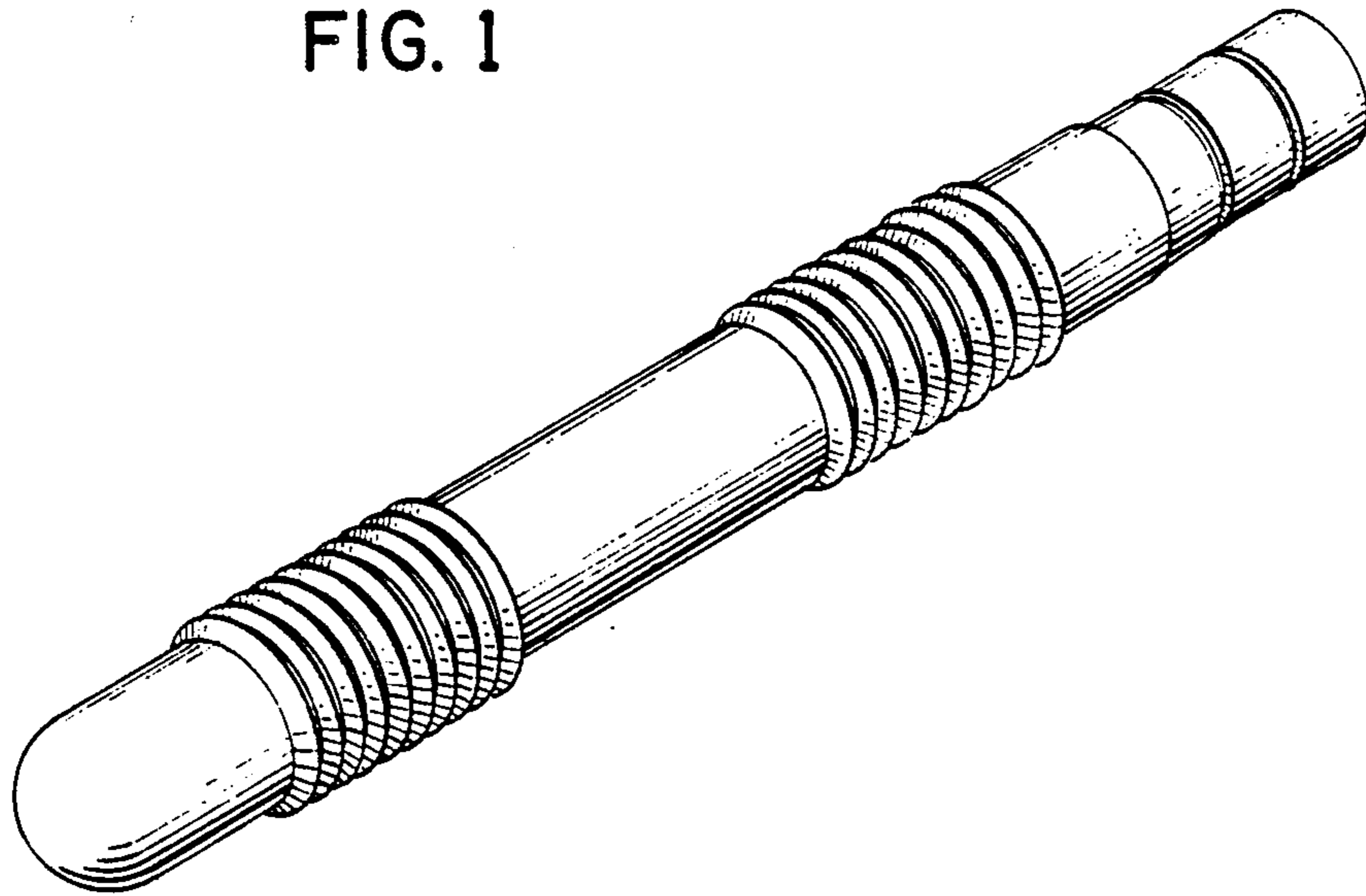


FIG. 2

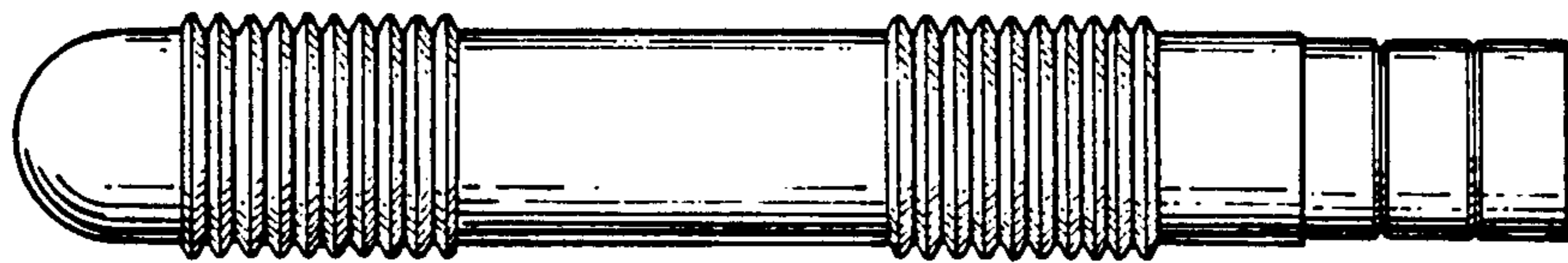


FIG. 3



FIG. 4

