

[54] IMAGE SWITCHING ATTACHMENT FOR A TELESCOPE OR SIMILAR OPTICAL INSTRUMENT

[76] Inventor: Jeffrey R. Charles, 12402 N. 38th St., Phoenix, Ariz. 85032

[\*\*] Term: 14 Years

[21] Appl. No.: 688,560

[22] Filed: Jan. 3, 1985

[52] U.S. Cl. .... D16/130; D16/136

[58] Field of Search ..... D16/100-137; 350/557, 422, 574, 502, 507

[56] References Cited

U.S. PATENT DOCUMENTS

D. 141,692	6/1945	Nemeth	.....	D16/136
D. 272,915	3/1984	Feinbloom et al.	.....	D16/130
D. 276,623	12/1984	Feinbloom	.....	D16/130
2,428,719	10/1947	Nemeth	.....	D16/134
3,468,597	9/1969	Jones	.....	350/502

4,143,938 3/1979 Feinbloom ..... 350/502

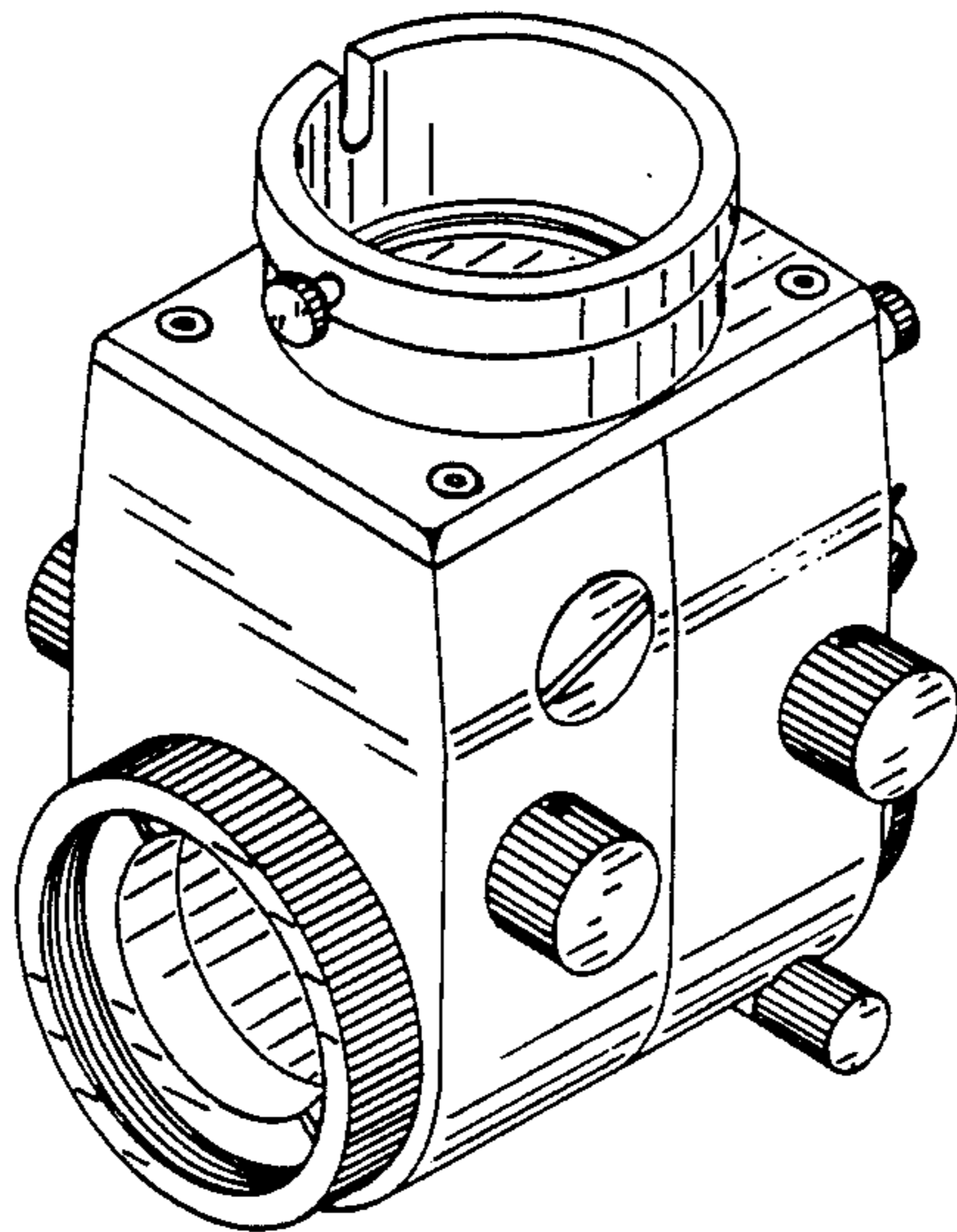
Primary Examiner—Susan J. Lucas  
Assistant Examiner—Clare E. Heflin

[57] CLAIM

The ornamental design for an image switching attachment for a telescope or similar optical instrument, as shown and described.

DESCRIPTION

FIG. 1 is a perspective view of an image switching attachment for a telescope or similar optical instrument, showing my new design;  
FIG. 2 is a front elevational view thereof;  
FIG. 3 is a right side elevational view thereof;  
FIG. 4 is a rear elevational view thereof;  
FIG. 5 is a top plan view thereof;  
FIG. 6 is a bottom plan view thereof; and  
FIG. 7 is an enlarged cross-sectional view thereof, taken along line 7—7 of FIG. 5 and showing portions of a telescope, eyepiece and camera in broken lines for illustrative purposes only.



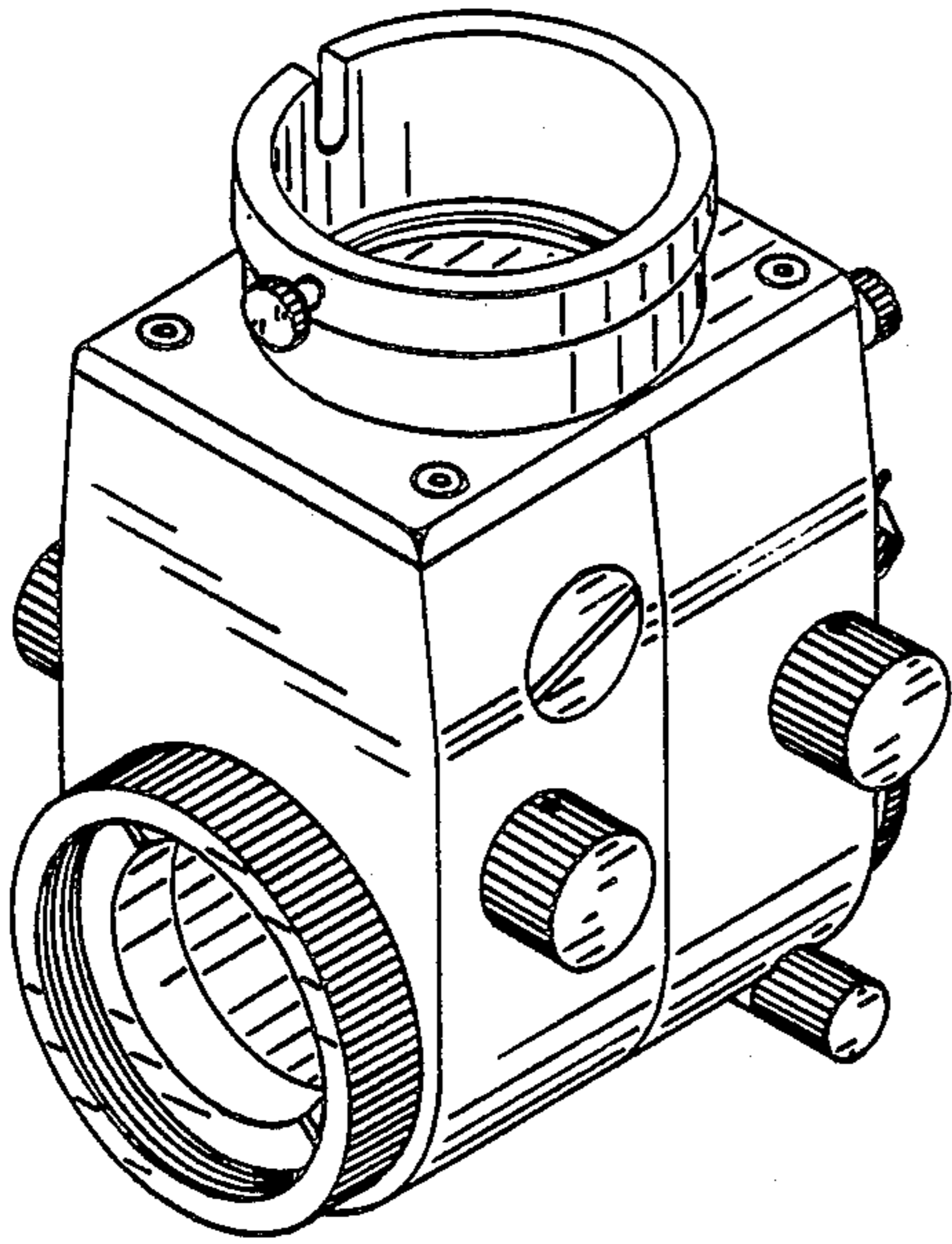


FIG. 1

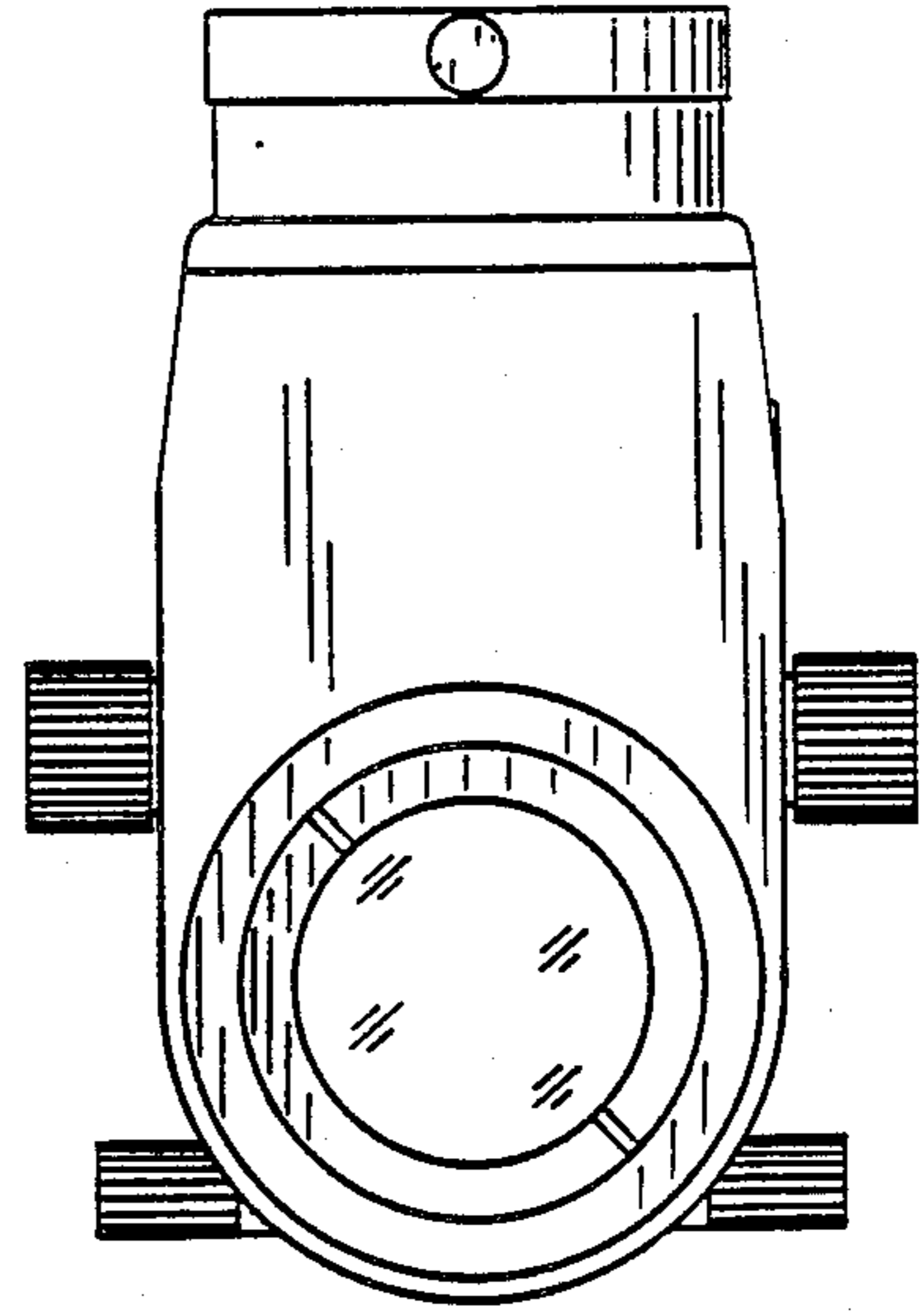


FIG. 2

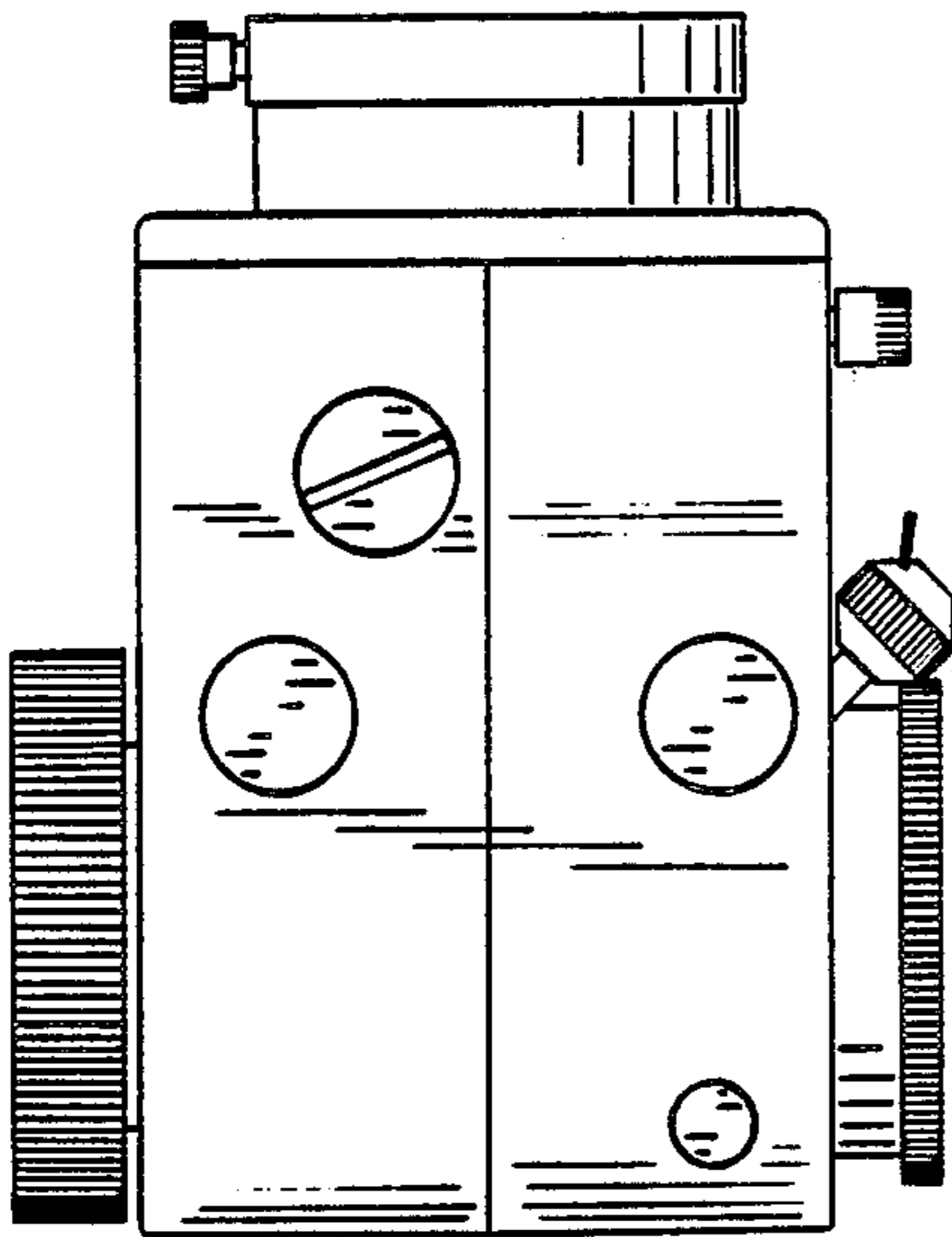


FIG. 3

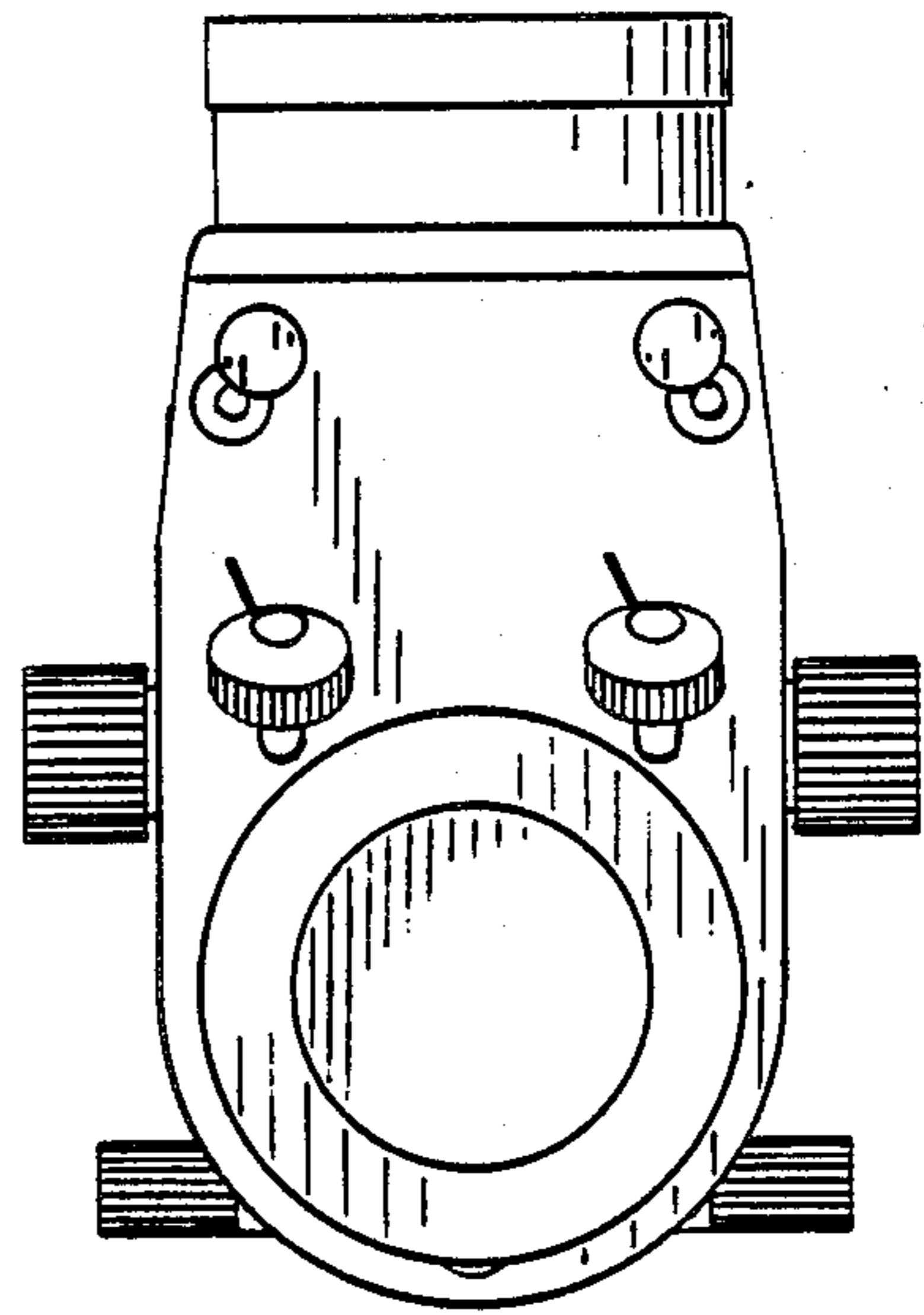


FIG. 4

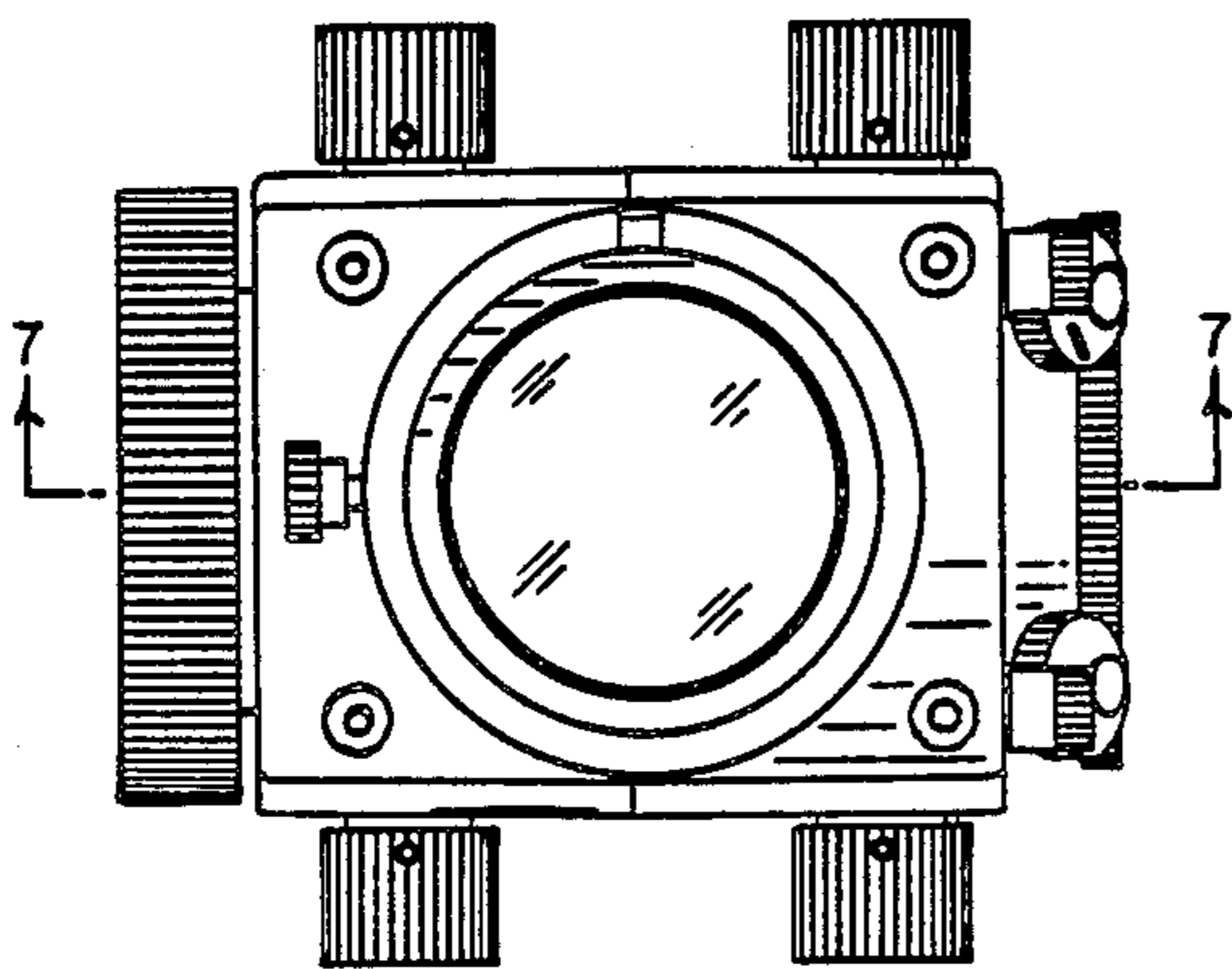


FIG. 5

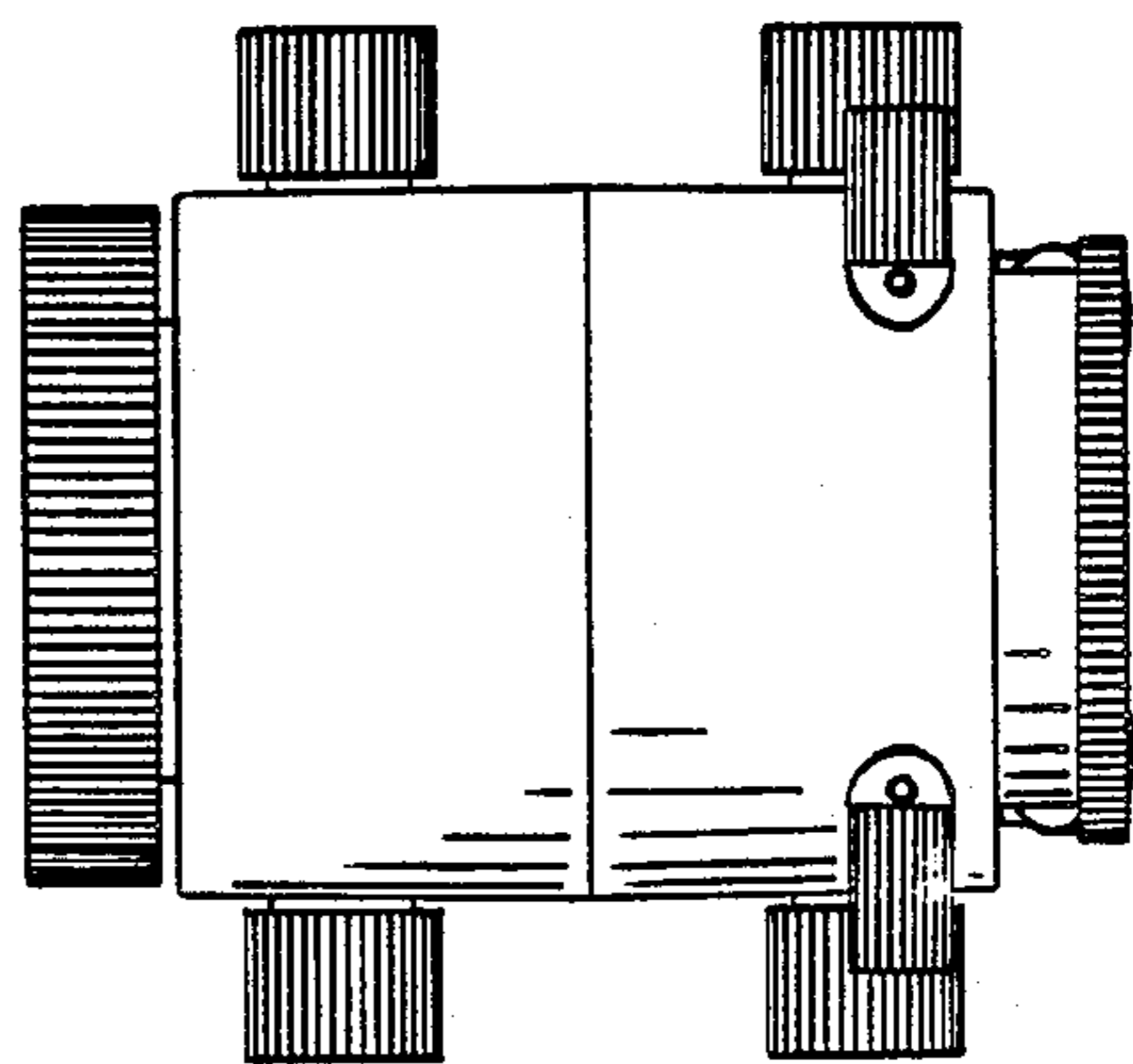


FIG. 6

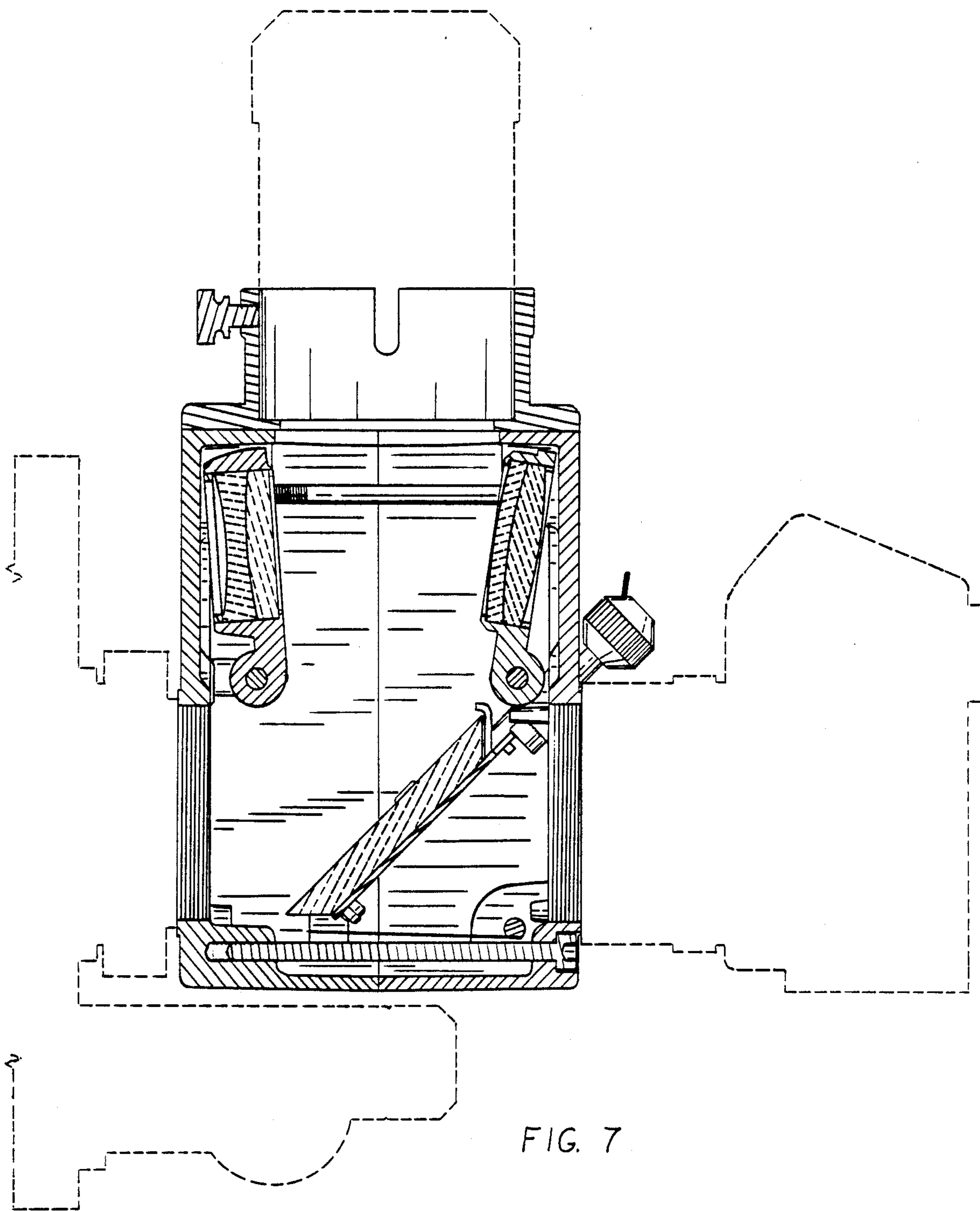


FIG. 7