

[54] COPYING MACHINE WITH DOCUMENT HANDLER AND SORTER

4,165,168 8/1979 Baumann 355/3 R
4,444,491 4/1984 Rinehart 355/14 SH

[75] Inventors: Donald W. Carr, Binghamton;
Andrew T. Serbinski, Brooklyn, both
of N.Y.

[73] Assignee: Savin Corporation, Stamford, Conn.

[**] Term: 14 Years

[21] Appl. No.: 773,234

[22] Filed: Sep. 6, 1985

[52] U.S. Cl. D16/30

[58] Field of Search D16/27-32;
355/3 R, 3 DD, 3 SH, 5-11, 14 R, 14 SH, 19,
51, 54

[56] References Cited

U.S. PATENT DOCUMENTS

D. 200,129 1/1965 Plantholt D16/30
D. 270,537 9/1983 Hara D16/30

OTHER PUBLICATIONS

Today's Office-2/82-p. 29-Sys. 800 copier at bottom.
Design-7/83-p. 47-copier at bottom-right.

Primary Examiner-Nelson C. Holtje
Attorney, Agent, or Firm-Shenier & O'Connor

[57] CLAIM

The ornamental design for a copying machine with document handler and sorter, substantially as shown and described.

DESCRIPTION

FIG. 1 is a front and top-right perspective view of a copying machine with document handler and sorter showing our new design;

FIG. 2 is a front and top-left perspective view thereof;

FIG. 3 is a top-front perspective view thereof;

FIG. 4 is a rear elevational view thereof.

The bottom, not shown, is flat, plain and unornamented.

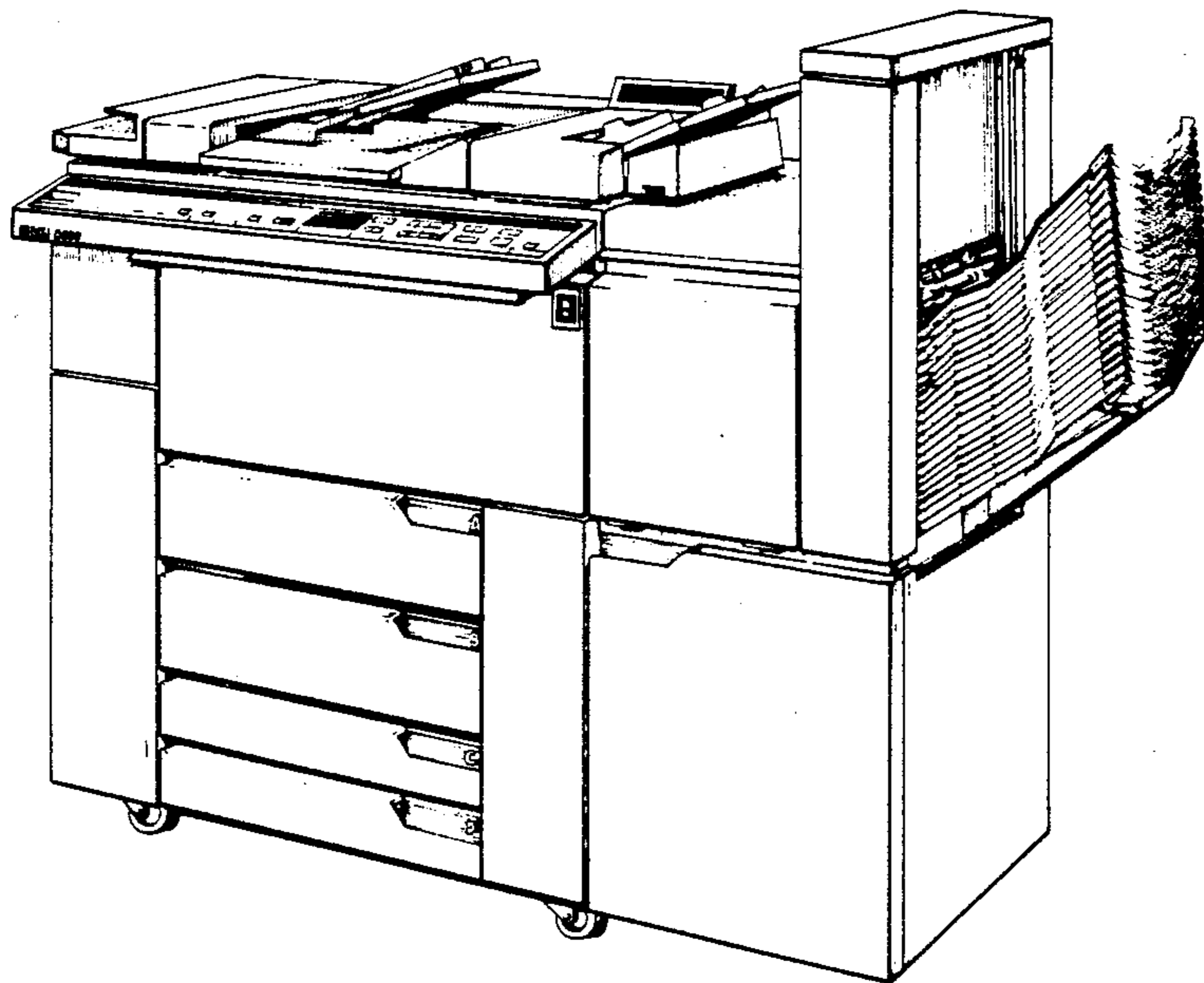


FIG. 1

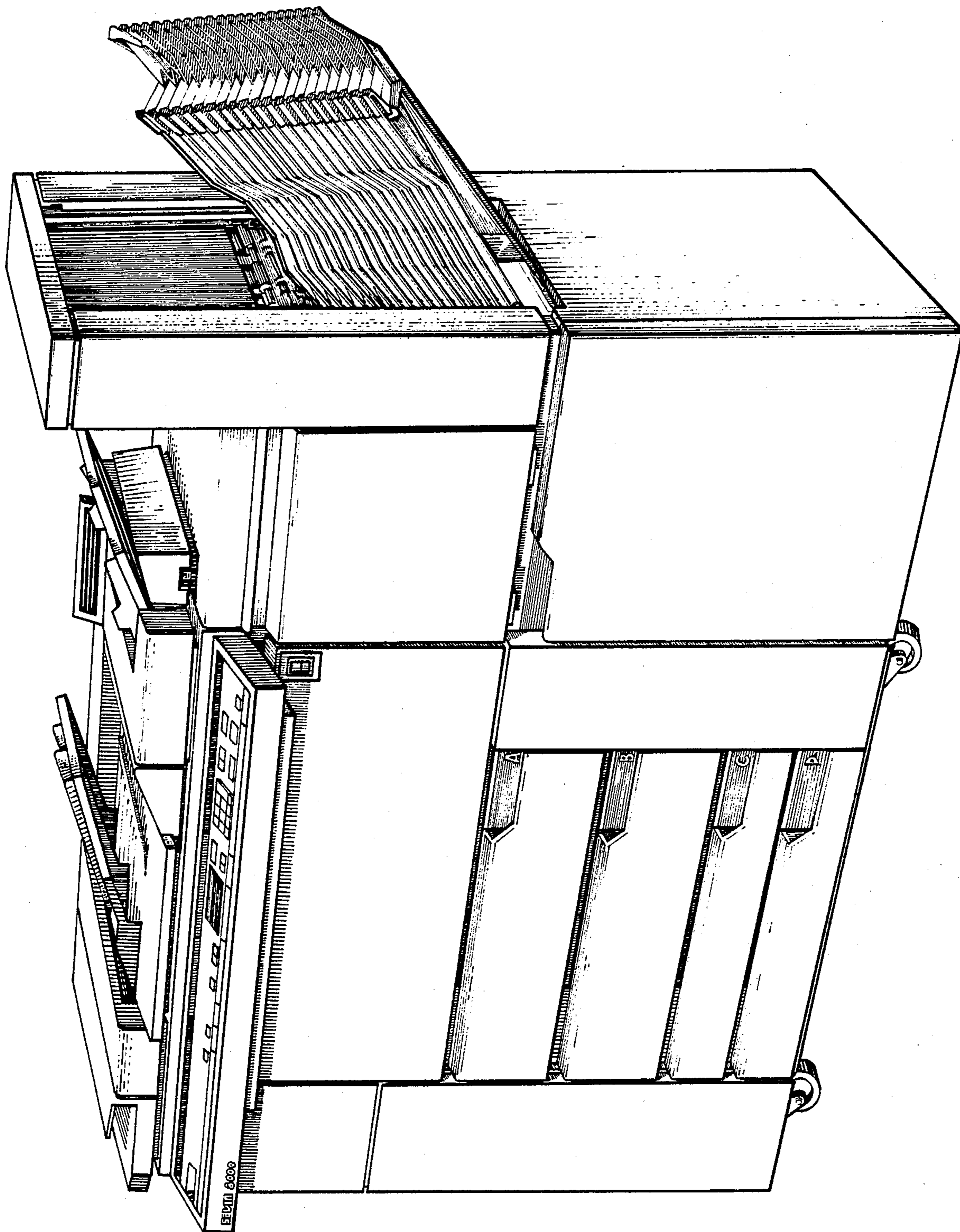


FIG. 2

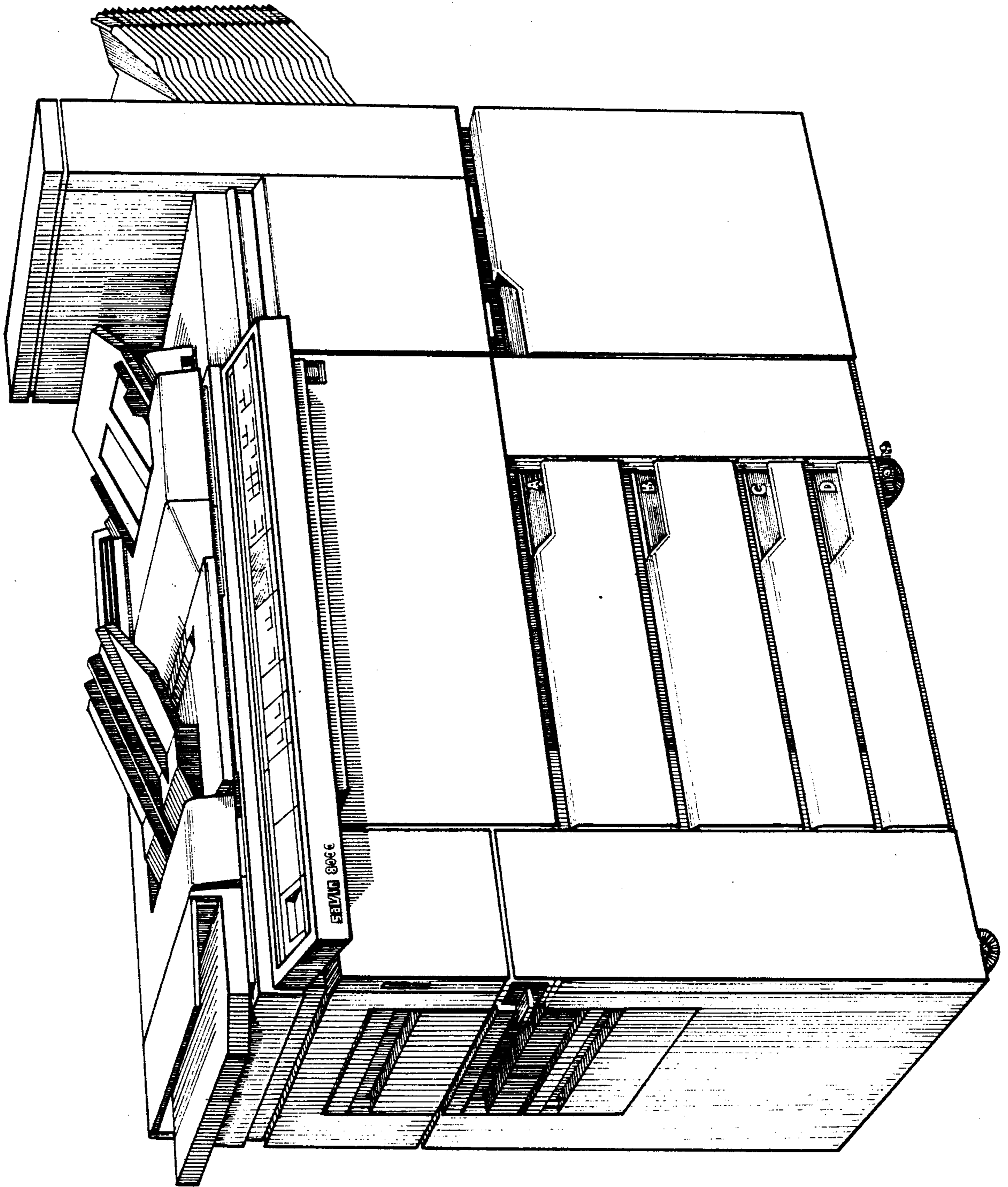


FIG. 3

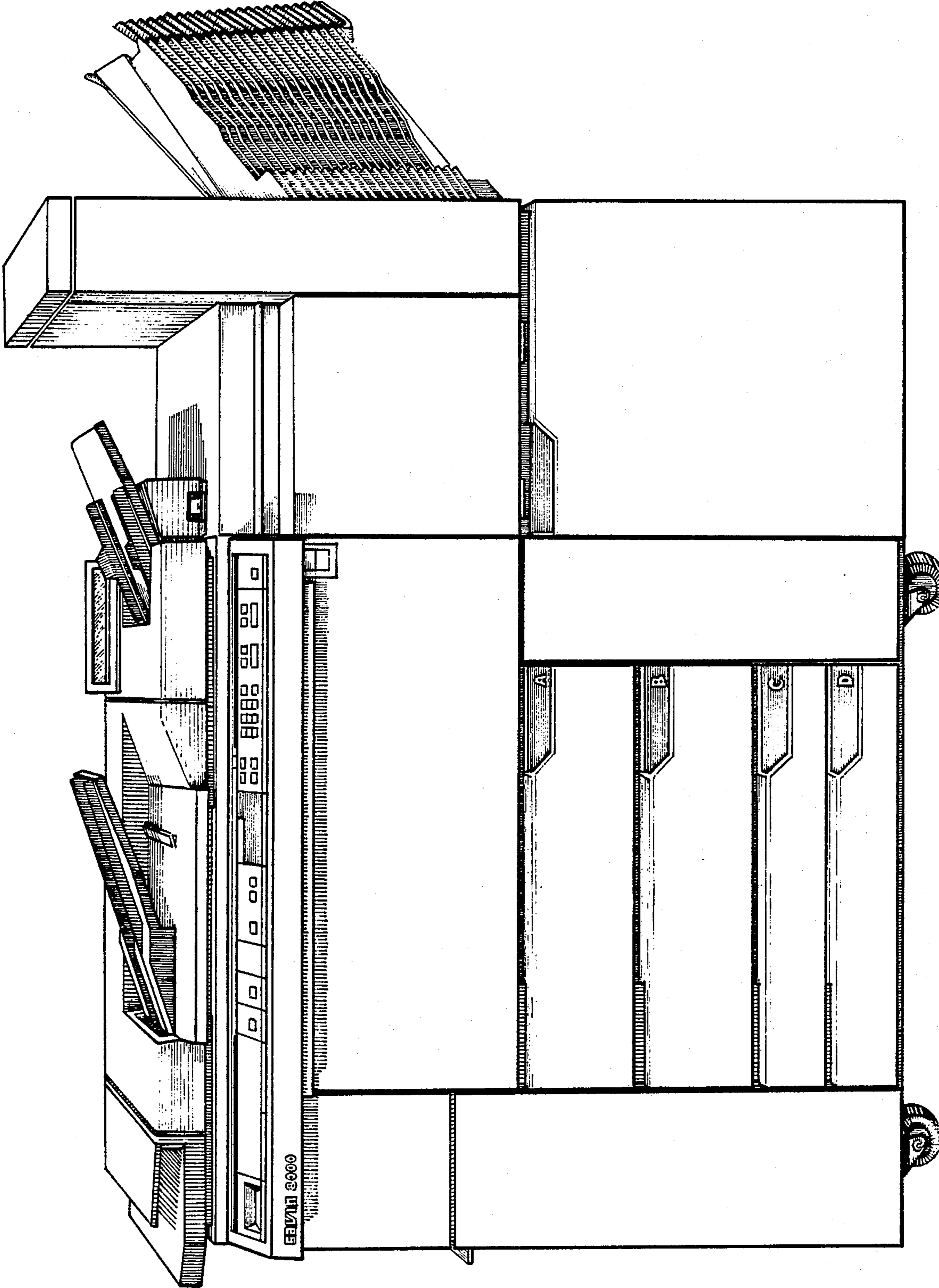


FIG. 4

