

[54] PAPER CUTTING DEVICE

[76] Inventor: Alan Davis, 17 Schenck Ave., Great Neck, Long Island, N.Y. 11021

[**] Term: 14 Years

[21] Appl. No.: 904,254

[22] Filed: Sep. 5, 1986

[52] U.S. Cl. D15/127; D18/34

[58] Field of Search D18/34; D15/127, 129; 83/607

[56] References Cited

U.S. PATENT DOCUMENTS

- D. 172,910 8/1954 Vennell D15/127 X
- D. 228,825 10/1973 Dottern D18/34
- 217,629 7/1879 Marshall 83/607

OTHER PUBLICATIONS

Office Appliances, 4/1966, p. 130—"Kutrimmer", at top left.

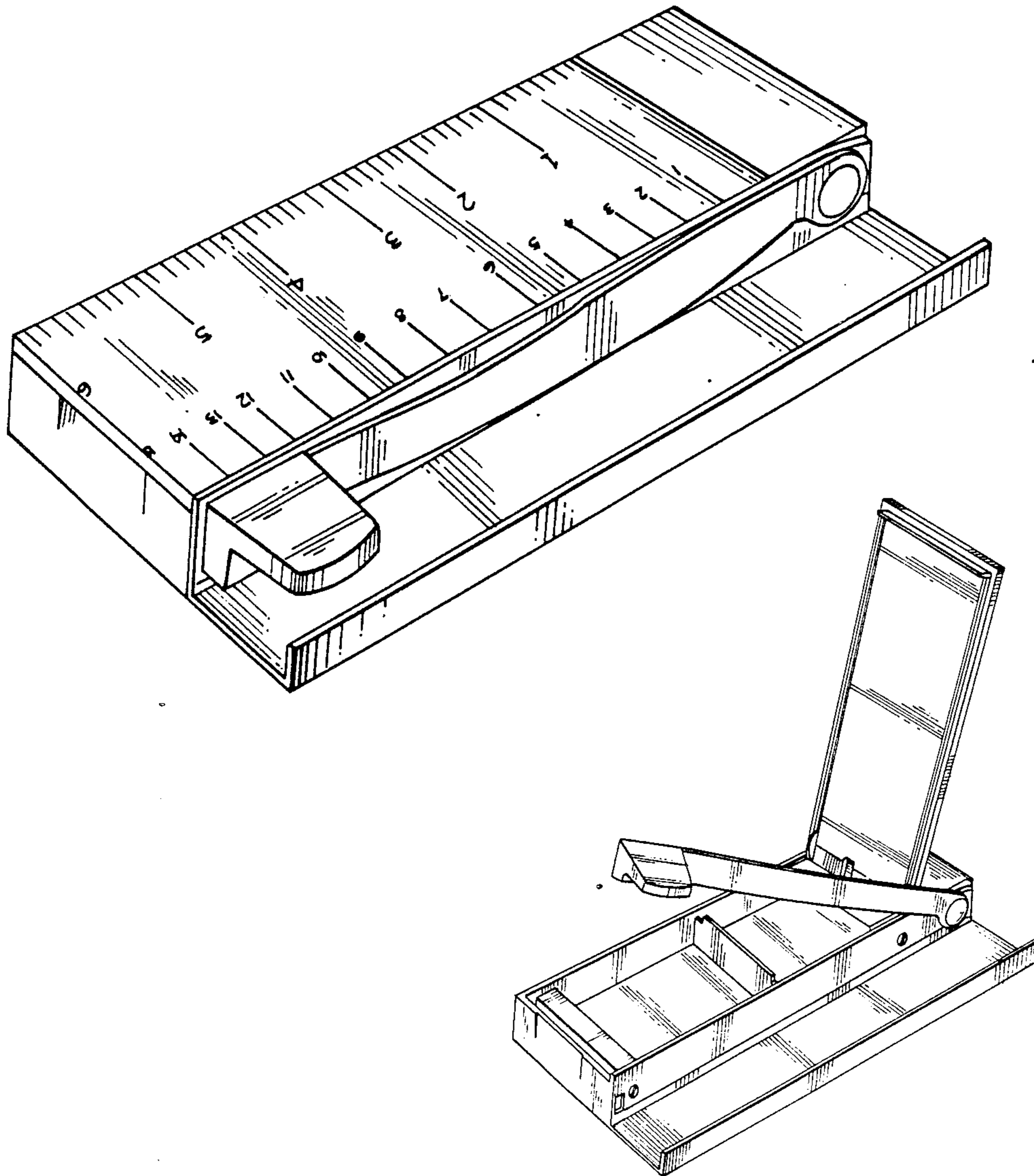
Primary Examiner—Louis S. Zarfes
Attorney, Agent, or Firm—Burgess, Ryan & Wayne

[57] CLAIM

The ornamental design for a paper cutting device, substantially as shown and described.

DESCRIPTION

FIG. 1 is a perspective view of a paper cutting device showing my new design in closed position; FIG. 2 is a front elevational view thereof; FIG. 3 is a rear elevational view thereof; FIG. 4 is a left side elevational view thereof; FIG. 5 is a right side elevational view thereof; FIG. 6 is a top plan view thereof; FIG. 7 is a bottom plan view thereof; and FIG. 8 is a perspective view thereof in an open position.



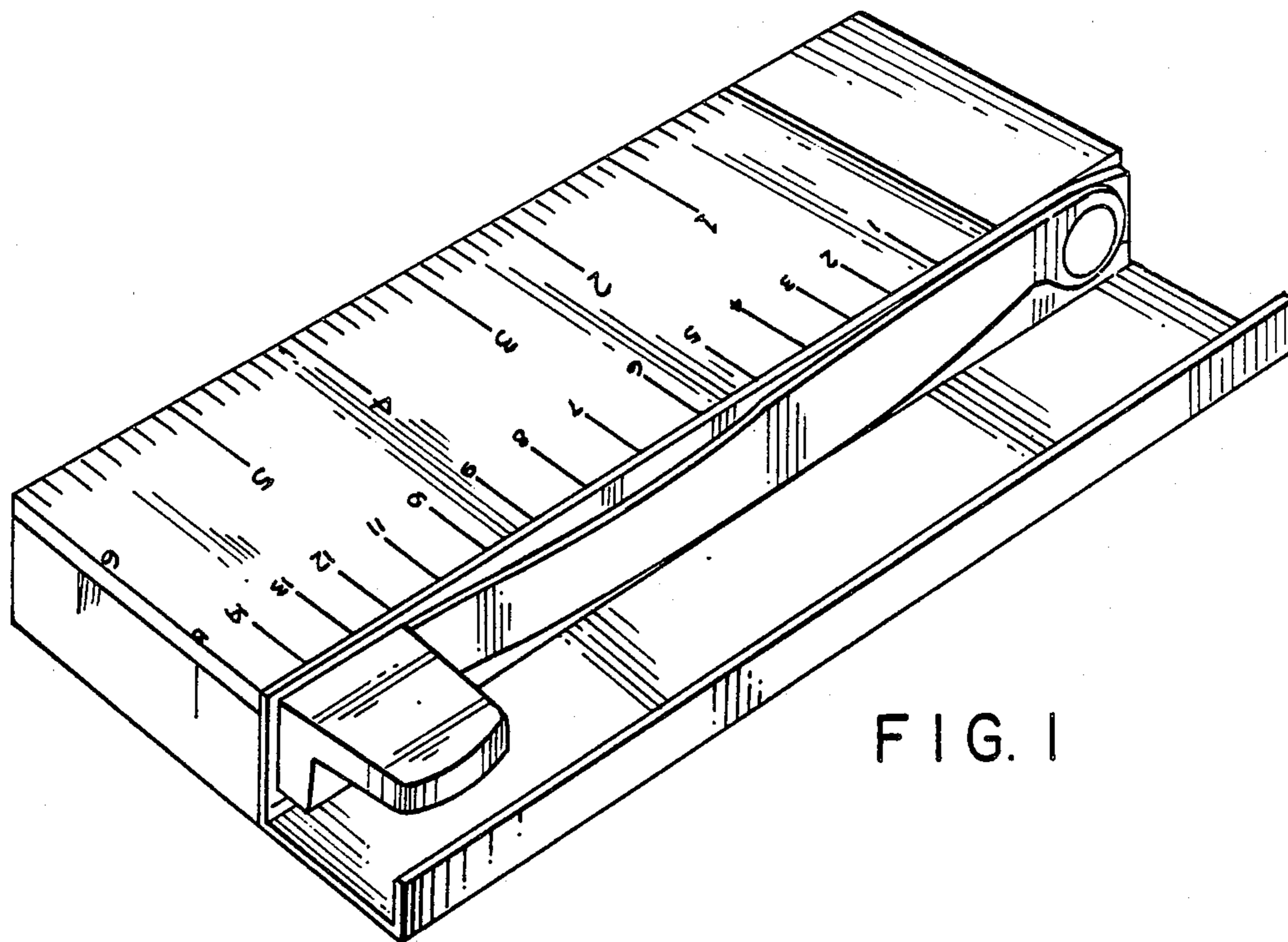


FIG. 1

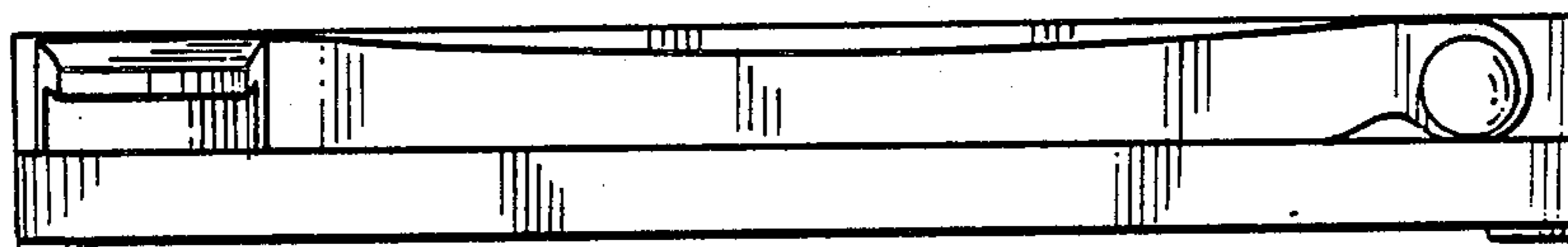


FIG. 2

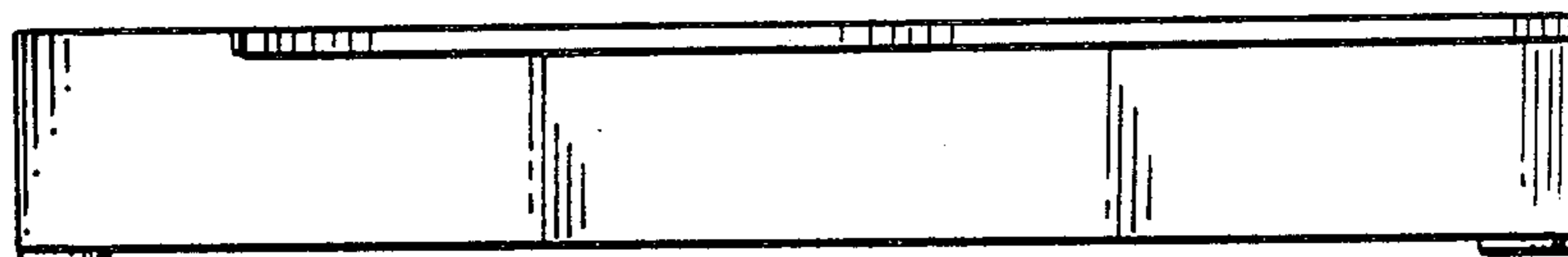


FIG. 3

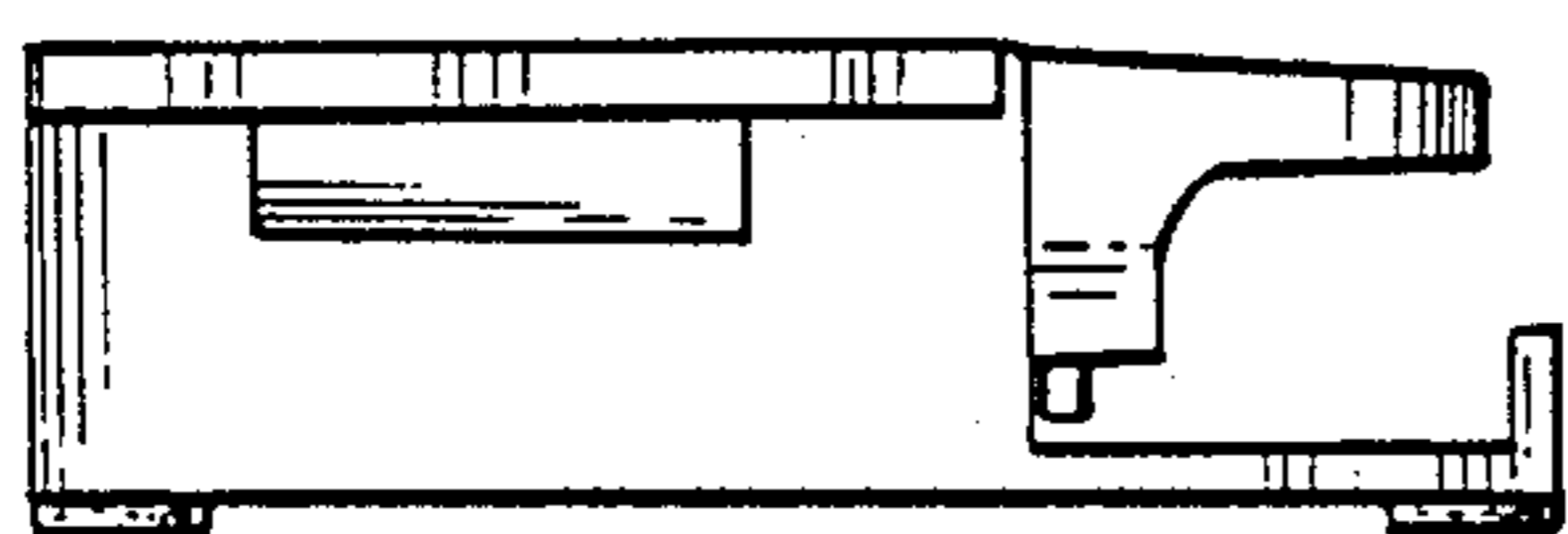


FIG. 4

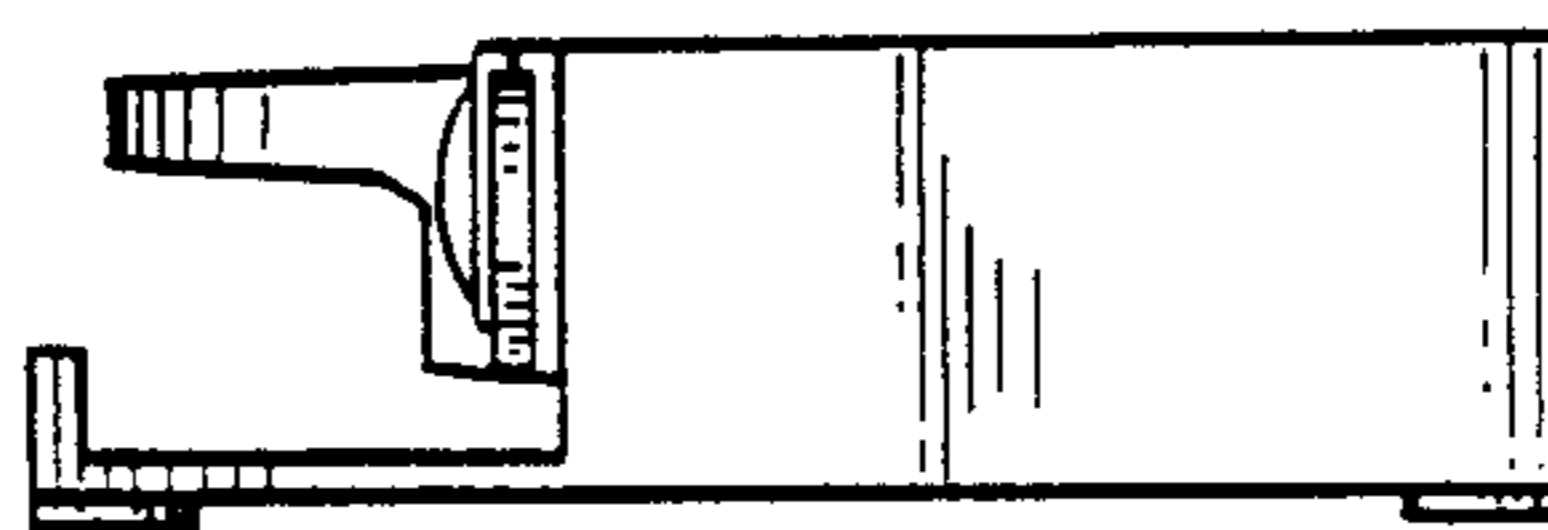


FIG. 5

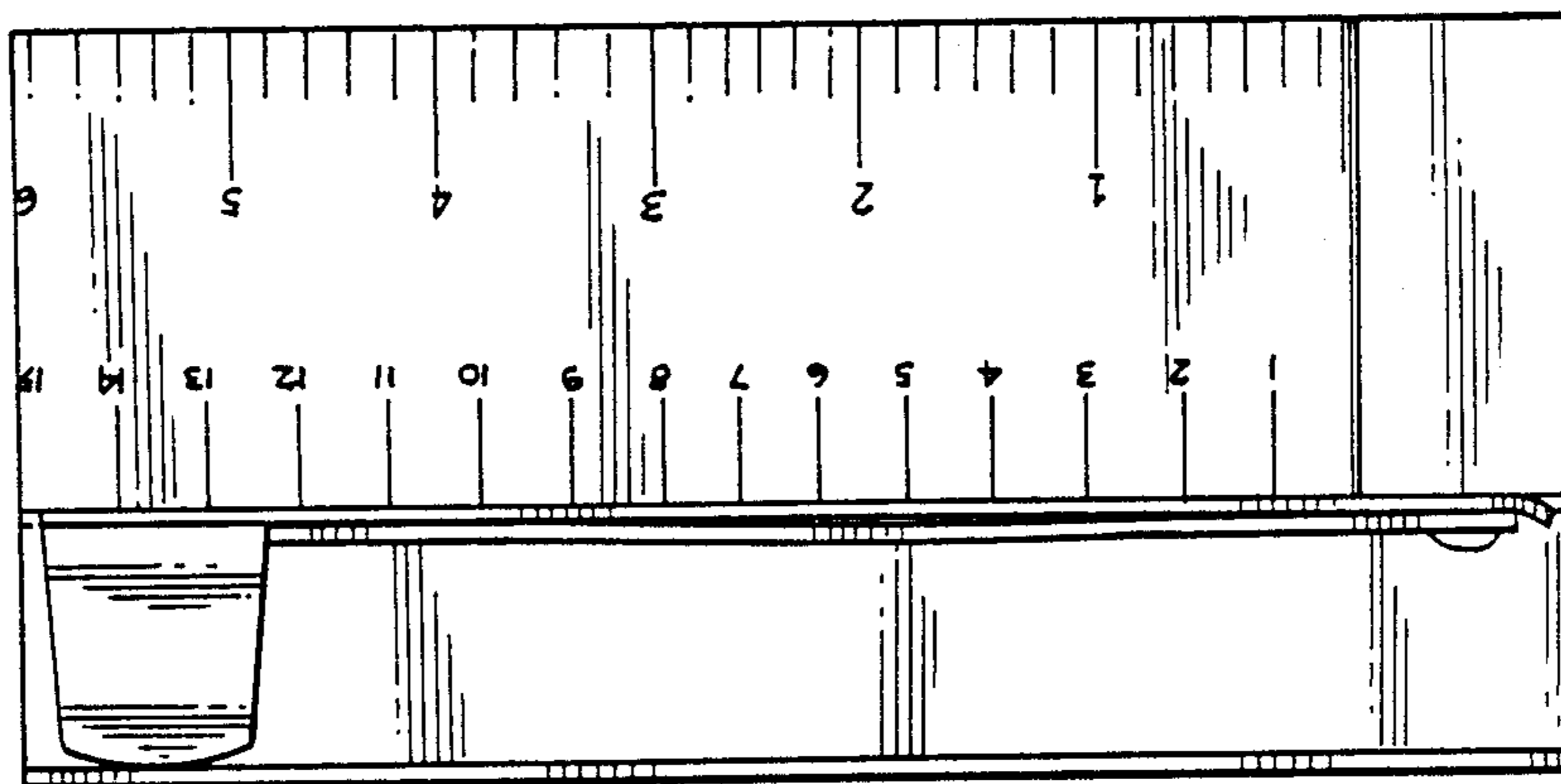


FIG. 6

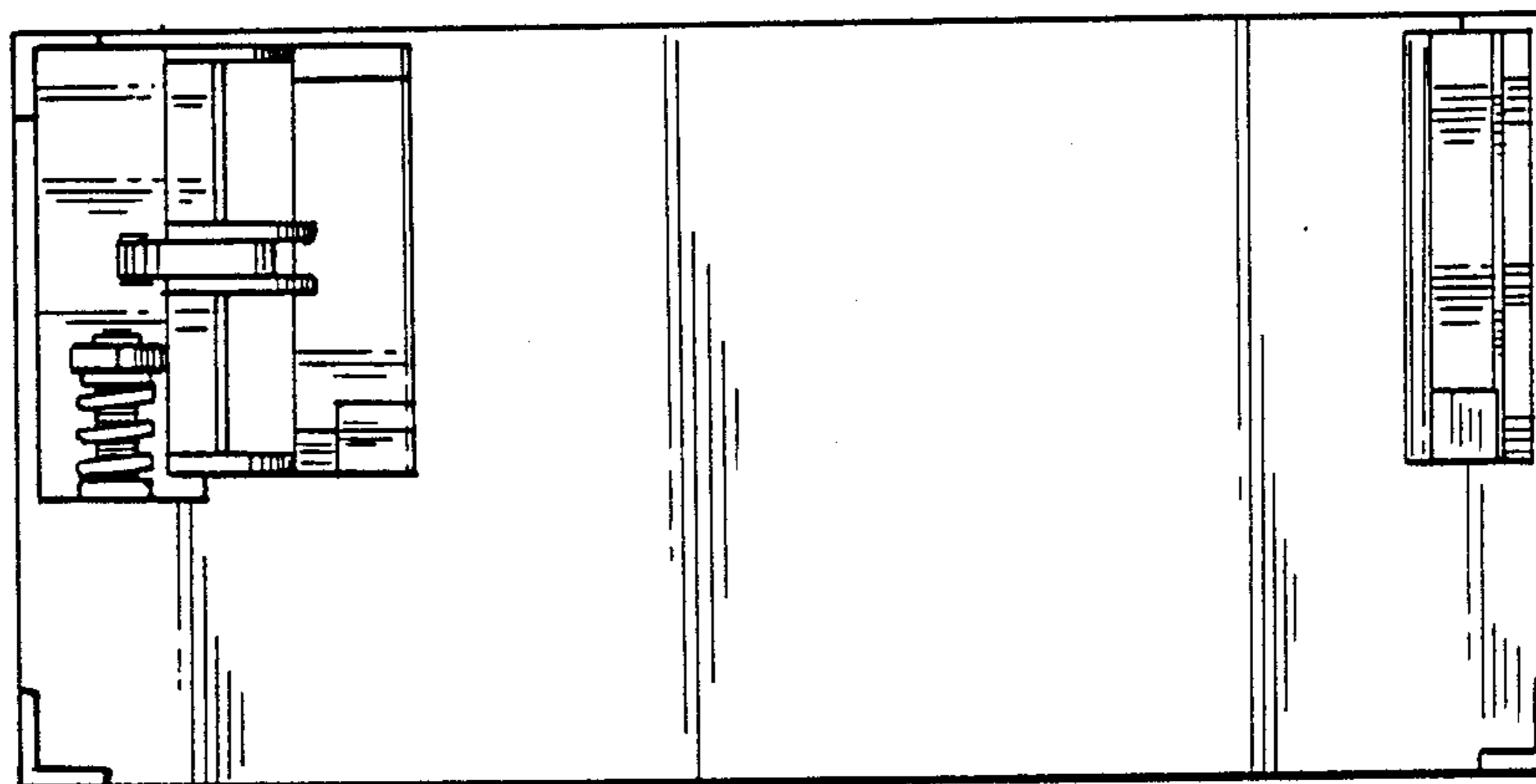


FIG. 7

FIG. 8

