

United States Patent [19]

Rosenblad

[11] Patent Number: Des. 295,865

[45] Date of Patent: ** May 24, 1988

[54] OPERATING HANDLE FOR A LAWN MOWER

[75] Inventor: Lars-Göran Rosenblad, Gränna, Sweden

[73] Assignee: Husqvarna Aktiebolag, Sweden

[**] Term: 14 Years

[21] Appl. No.: 789,127

[22] Filed: Oct. 18, 1985

[30] Foreign Application Priority Data

Apr. 19, 1985 [SE] Sweden 851022

[52] U.S. Cl. D15/18

[58] Field of Search D15/17-18, D15/28; 16/111 A; 56/DIG. 18; 74/550, 551.1, 551.9; D12/178

[56] References Cited

U.S. PATENT DOCUMENTS

D. 193,628 9/1962 Rech D15/18

3,945,176 3/1976 Vicendese et al. 56/17.4
4,006,914 2/1977 Koch D15/18
4,212,141 7/1980 Miyazawa et al. 56/DIG. 18
4,478,031 10/1984 Wolf 56/DIG. 18
4,512,143 4/1985 Jimenez 56/DIG. 18

Primary Examiner—Wallace R. Burke
Assistant Examiner—Ruth Takemoto
Attorney, Agent, or Firm—Alfred E. Miller

[57] CLAIM

The ornamental design for an operating handle for a lawn mower, as shown and described.

DESCRIPTION

FIG. 1 is a top plan view of an operating handle for a lawn mower, showing my new design;
FIG. 2 is a bottom perspective view thereof;
FIG. 3 is a front perspective view thereof;
FIG. 4 is a front elevational view thereof;
FIG. 5 is a rear elevational view thereof;
FIG. 6 is a right side perspective view thereof; and,
FIG. 7 is a left side perspective view thereof.

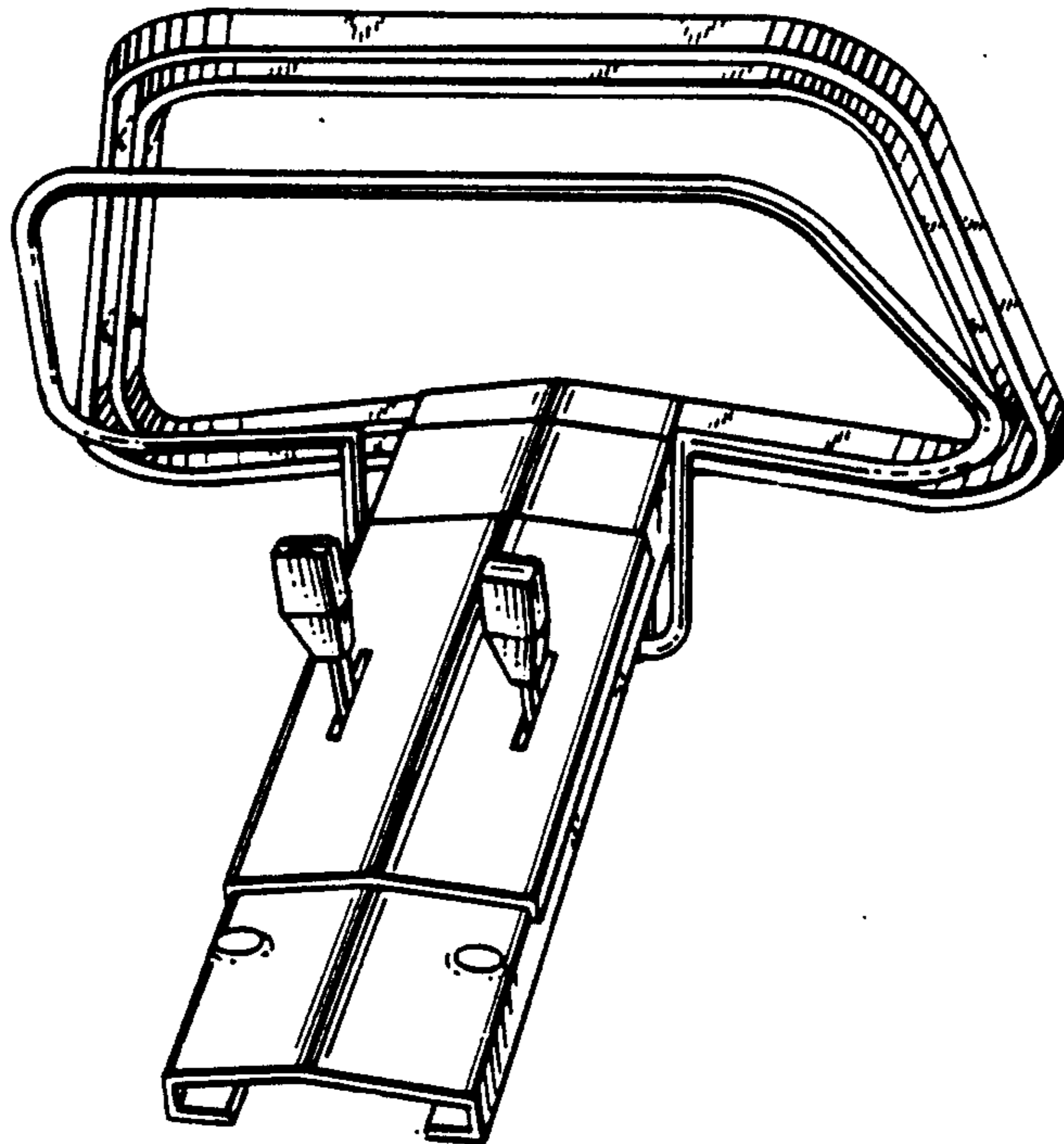


FIG.1

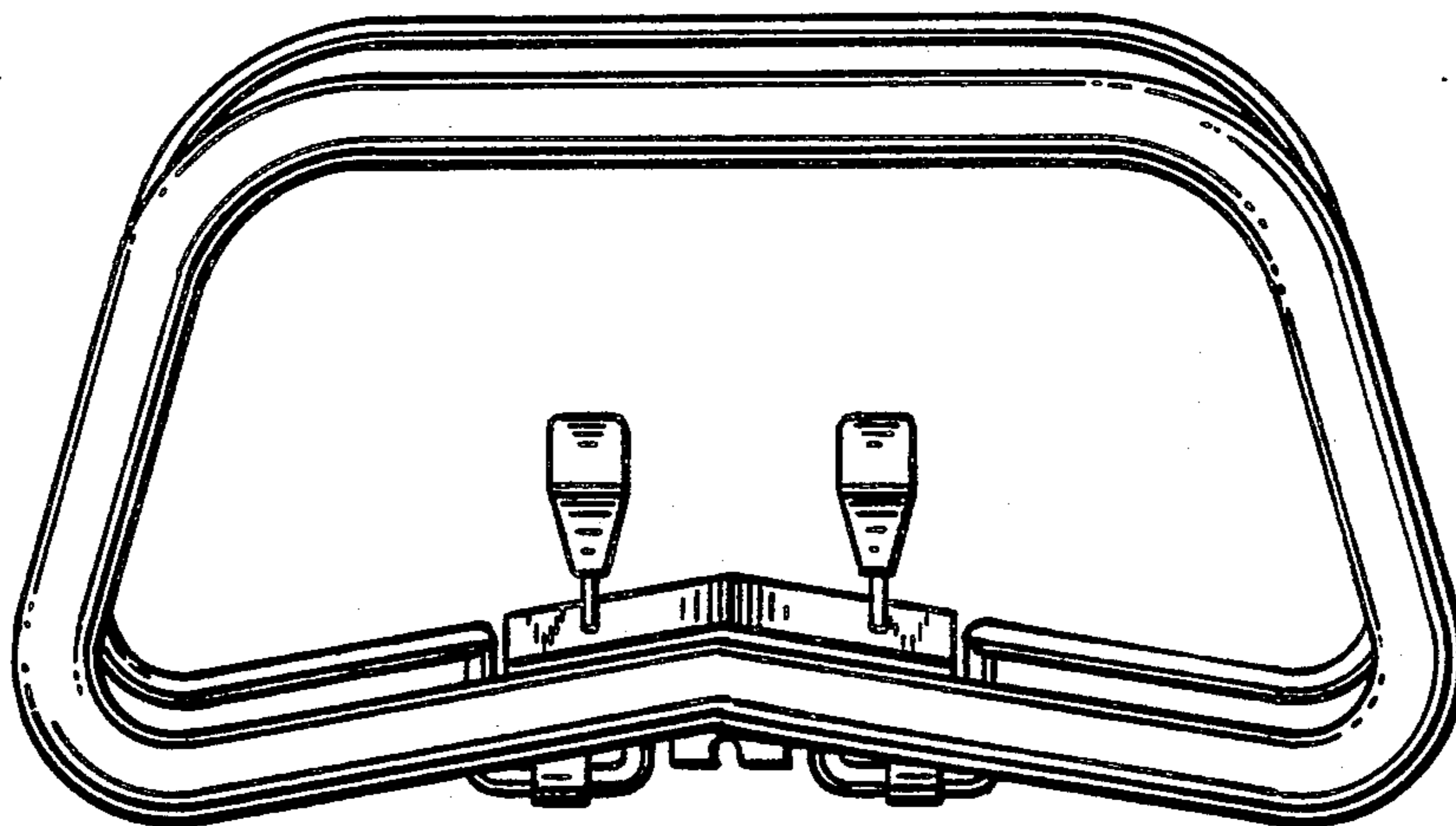


FIG.2

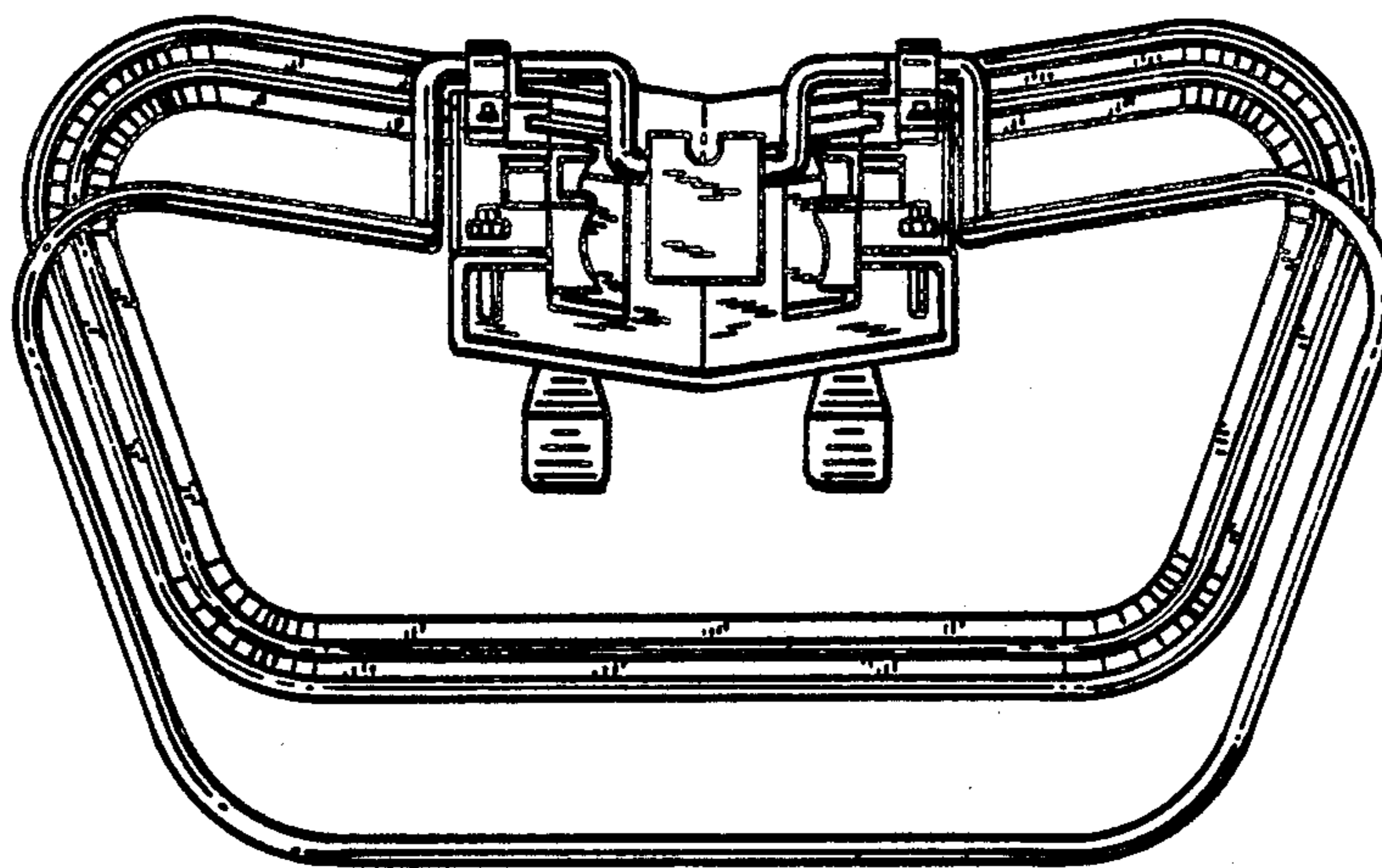


FIG.3

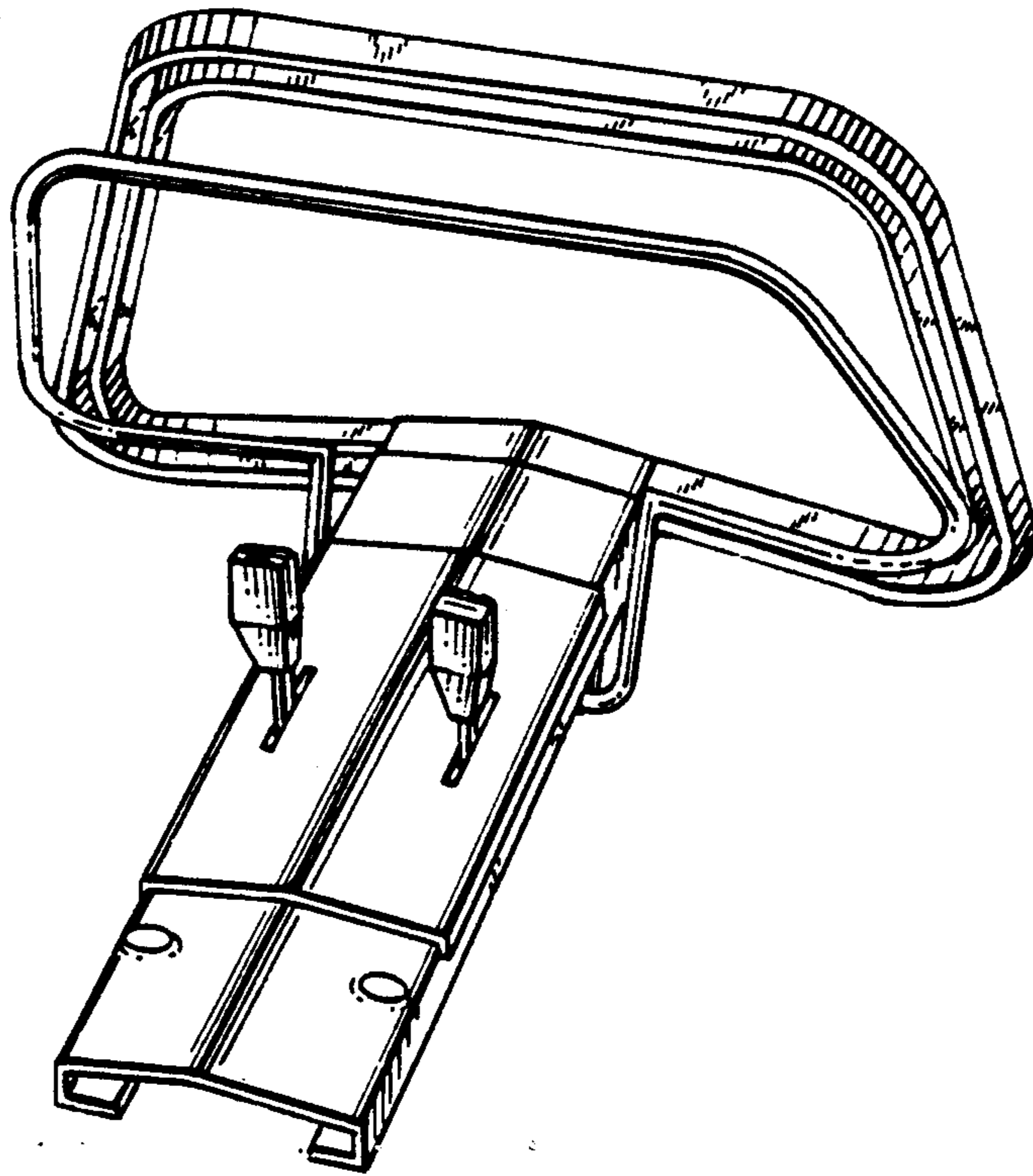
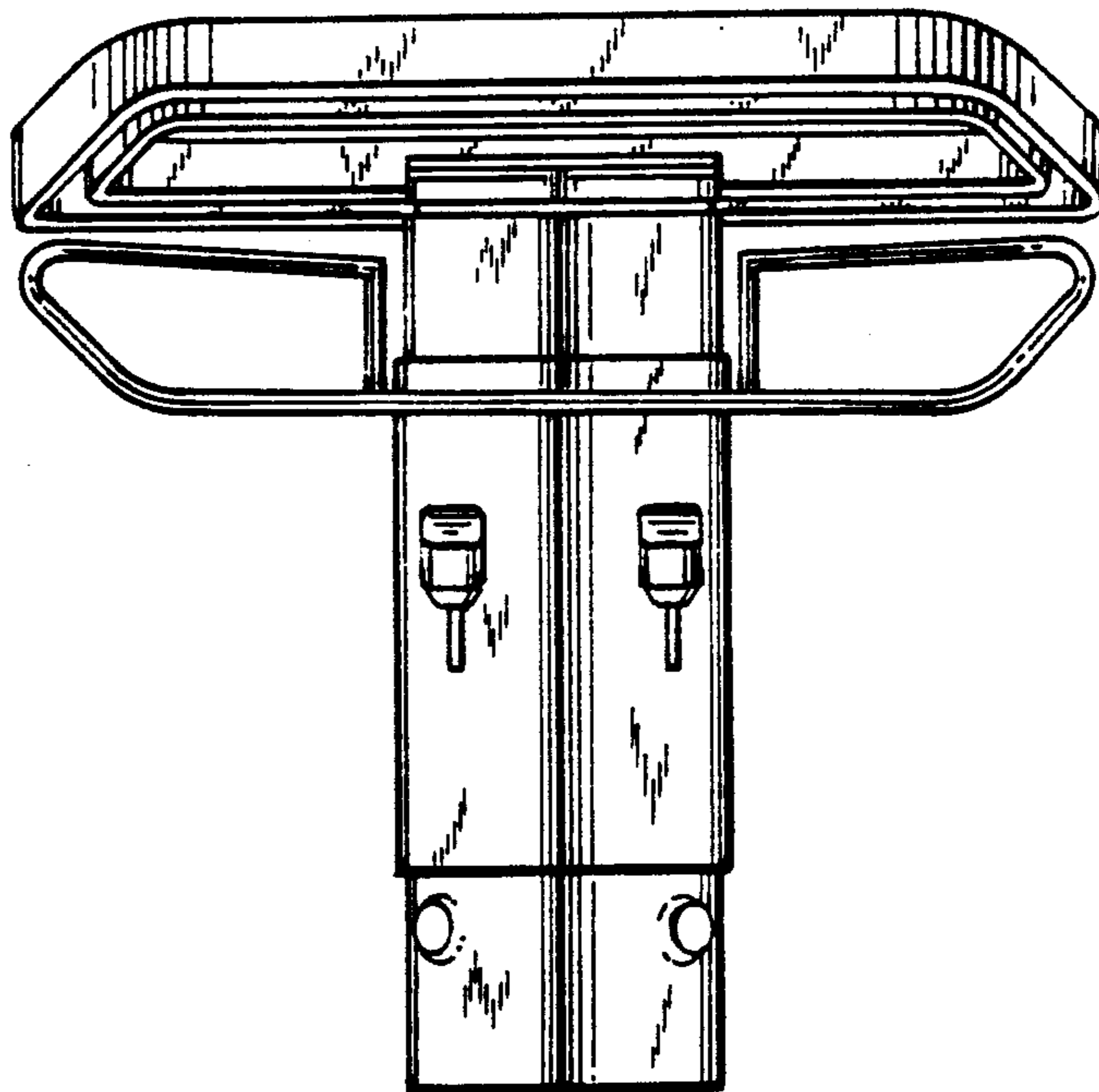


FIG.4



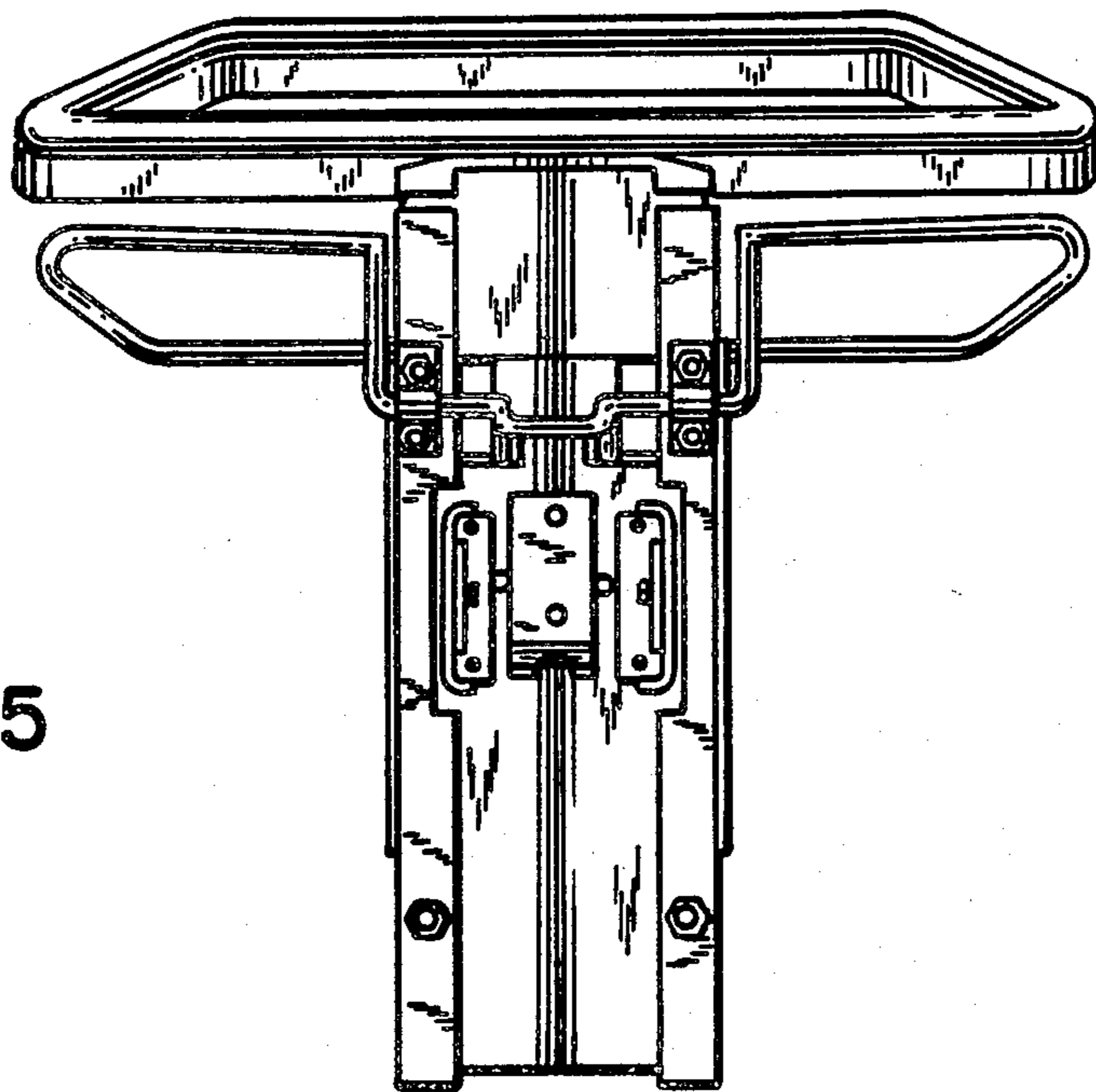


FIG. 5

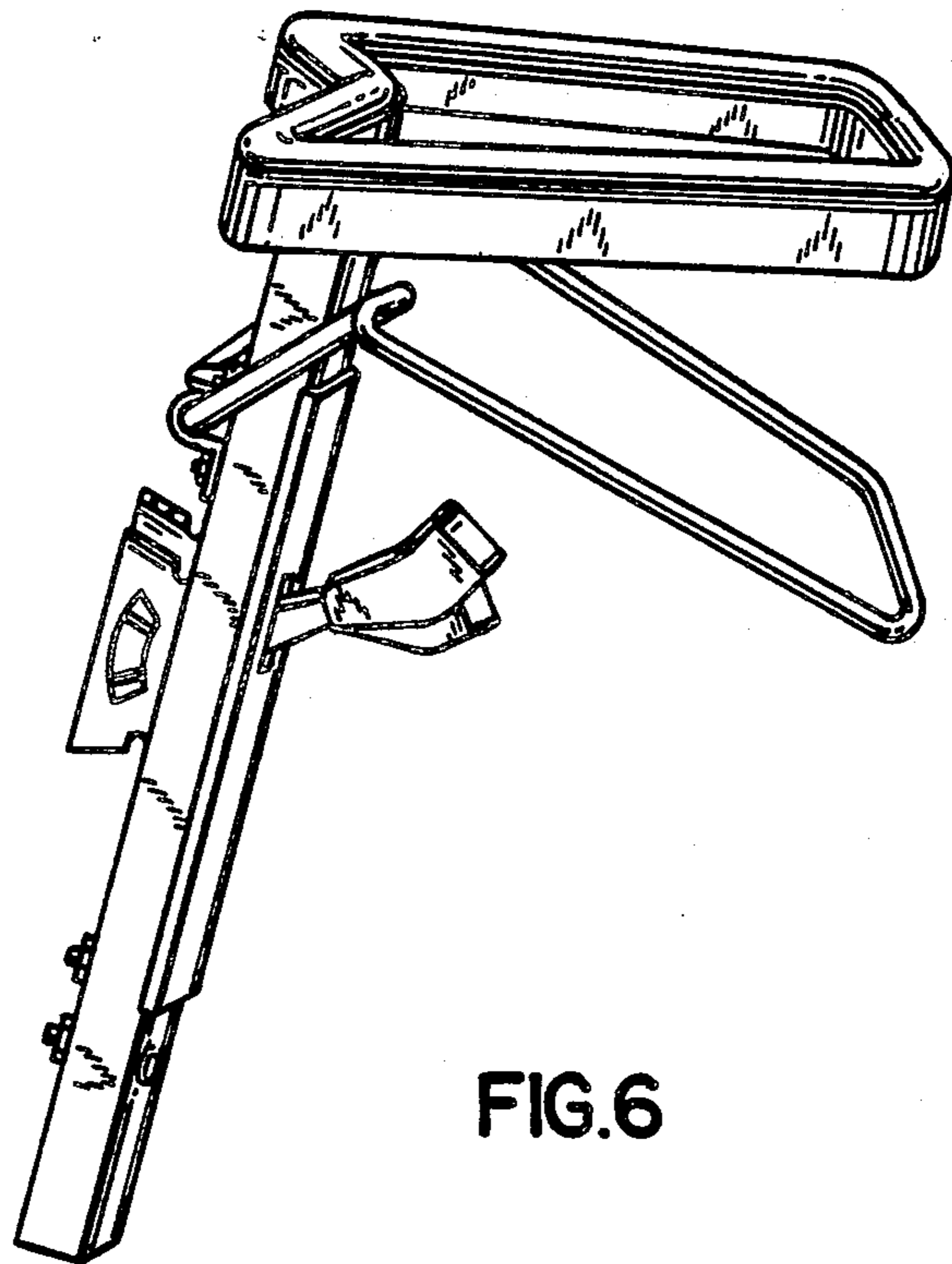


FIG. 6

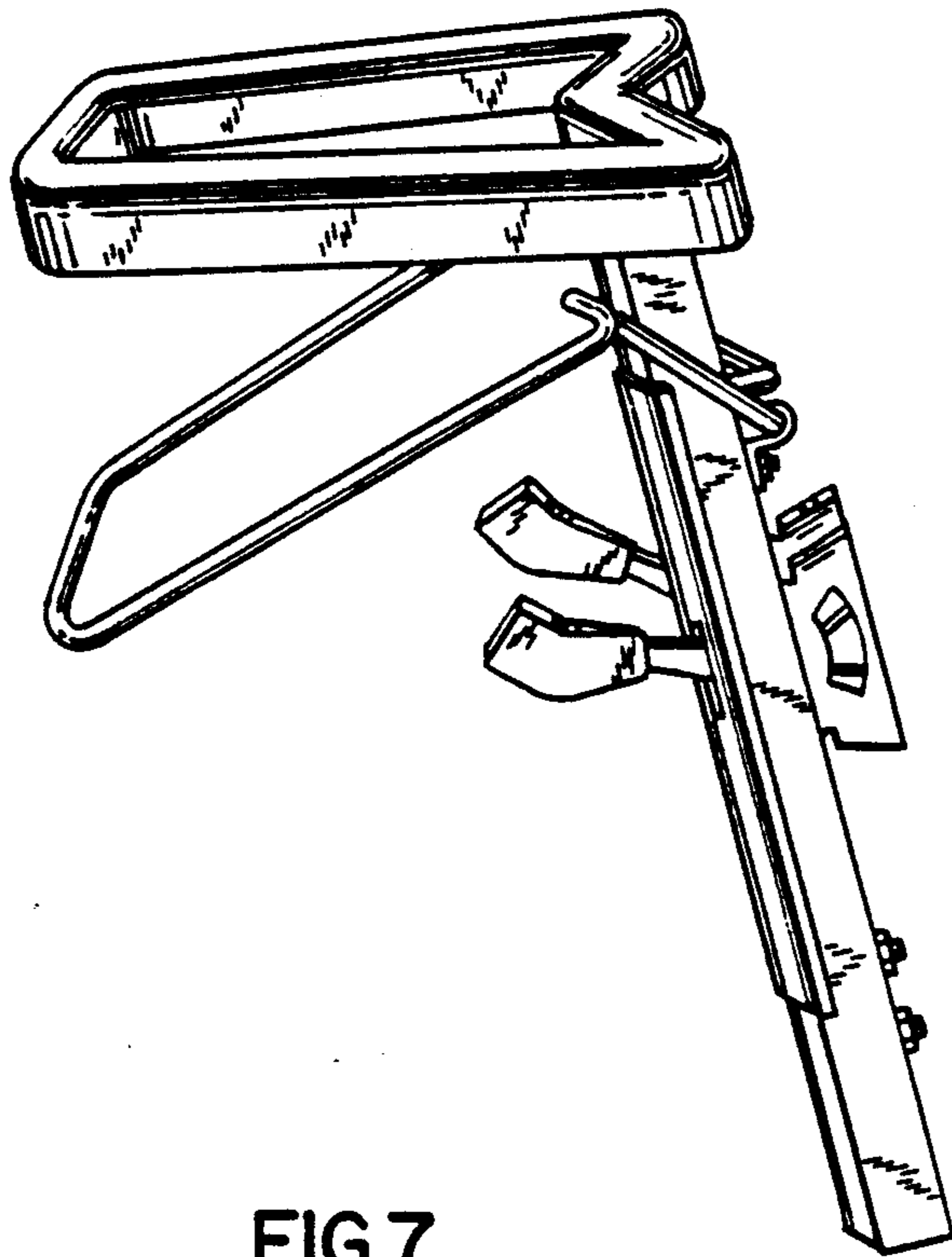


FIG. 7