

[54] **VIDEO DISPLAY TERMINAL**

[75] **Inventor:** James E. Sacherman, Palo Alto, Calif.  
[73] **Assignee:** Wyse Technology, San Jose, Calif.  
[\*\*] **Term:** 14 Years  
[21] **Appl. No.:** 786,877

[22] **Filed:** Oct. 11, 1985  
[52] **U.S. Cl.** ..... D14/113  
[58] **Field of Search** ..... D14/100, 105, 106, 107,  
D14/113, 77, 80-84; 340/700, 711, 720;  
358/248, 249, 254; 312/7.2

[56] **References Cited**  
**U.S. PATENT DOCUMENTS**

D. 278,911 5/1985 Ohnuma et al. .... D14/113  
D. 282,846 3/1986 Tsuburaya et al. .... D14/113

**OTHER PUBLICATIONS**

Byte, 4-1984, p. 407, Visual Technology Incorp., display monitor.  
CCI, "Office Power", brochure, ©1984, display monitor.

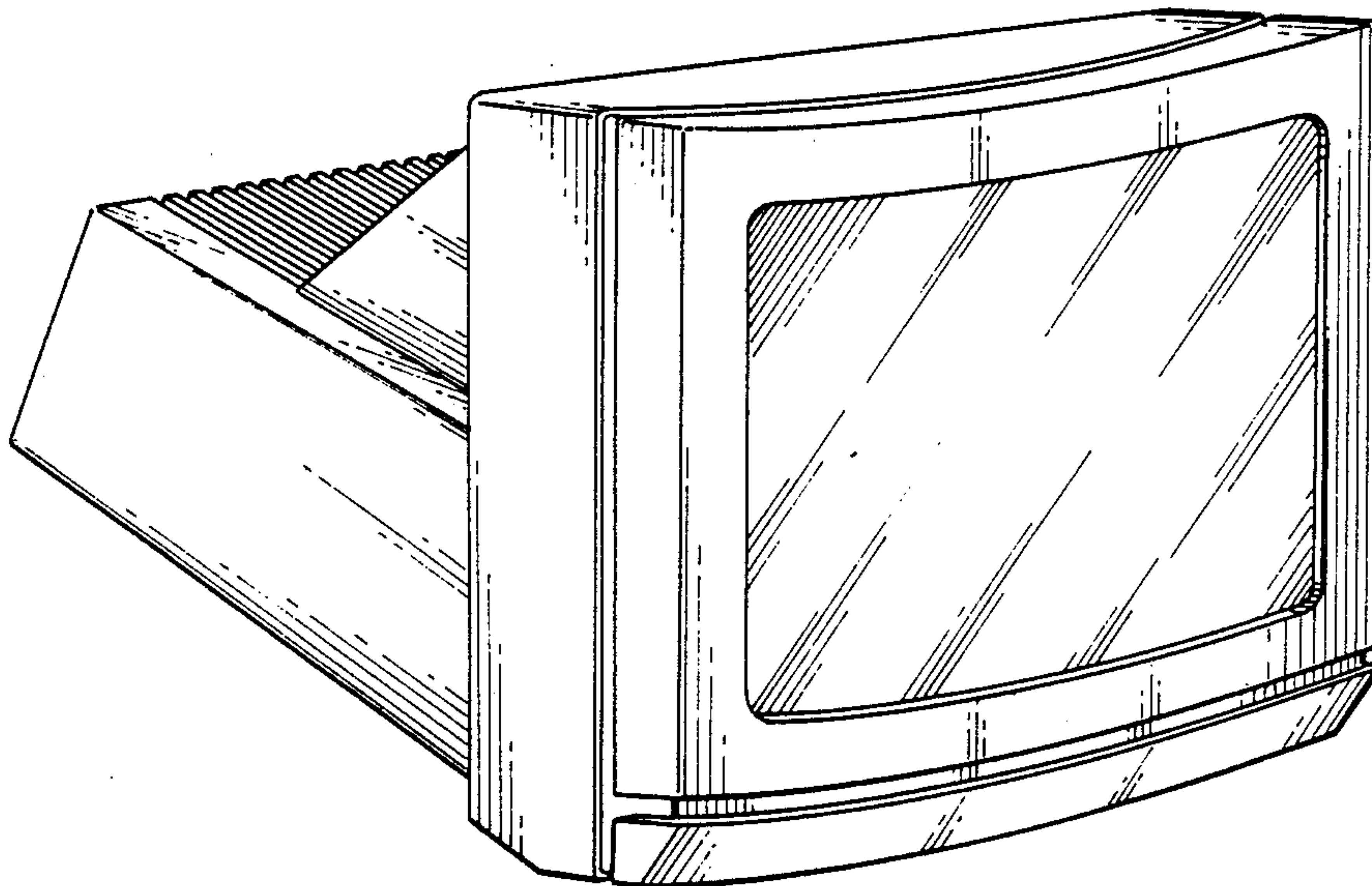
*Primary Examiner*—Susan J. Lucas  
*Attorney, Agent, or Firm*—James E. Eakin

[57] **CLAIM**

The ornamental design for a video display terminal, substantially as shown and described.

**DESCRIPTION**

FIG. 1 is a perspective view of a video display terminal showing my new design;  
FIG. 2 is a front elevational view thereof;  
FIG. 3 is a top plan view thereof;  
FIG. 4 is a left side elevational view thereof;  
FIG. 5 is a right side elevational view thereof;  
FIG. 6 is a rear elevational view thereof.



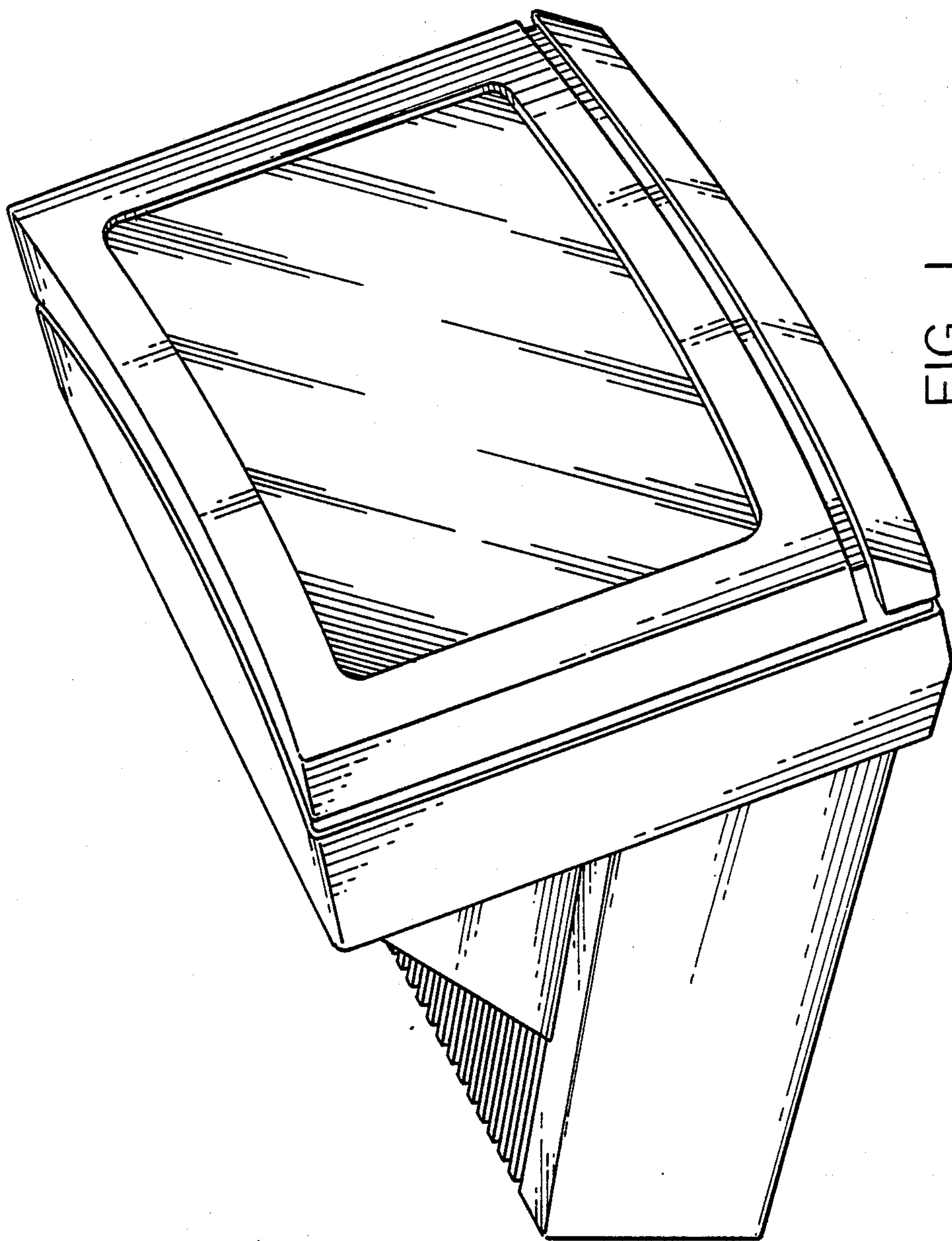


FIG. 1

FIG. 2

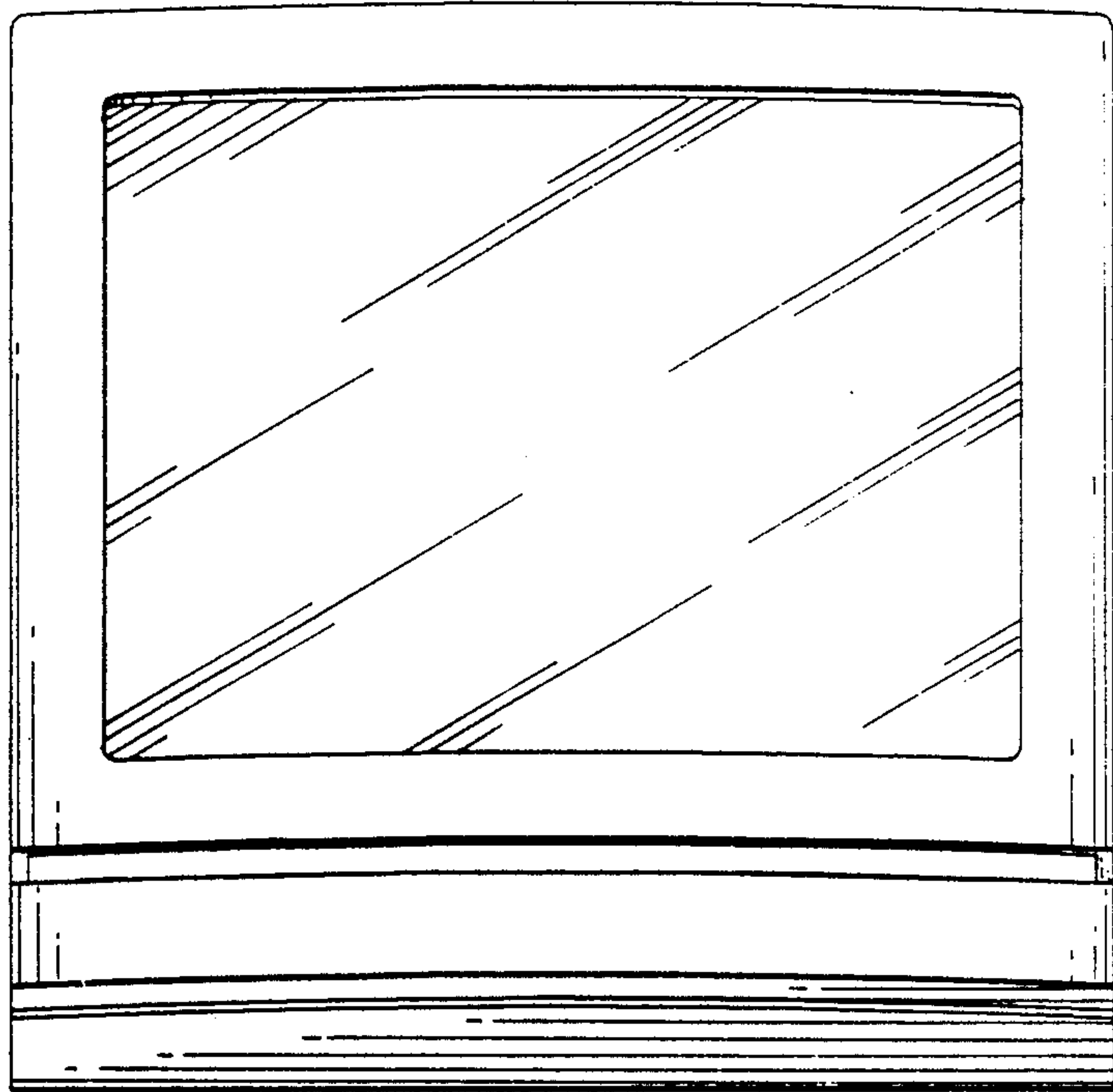
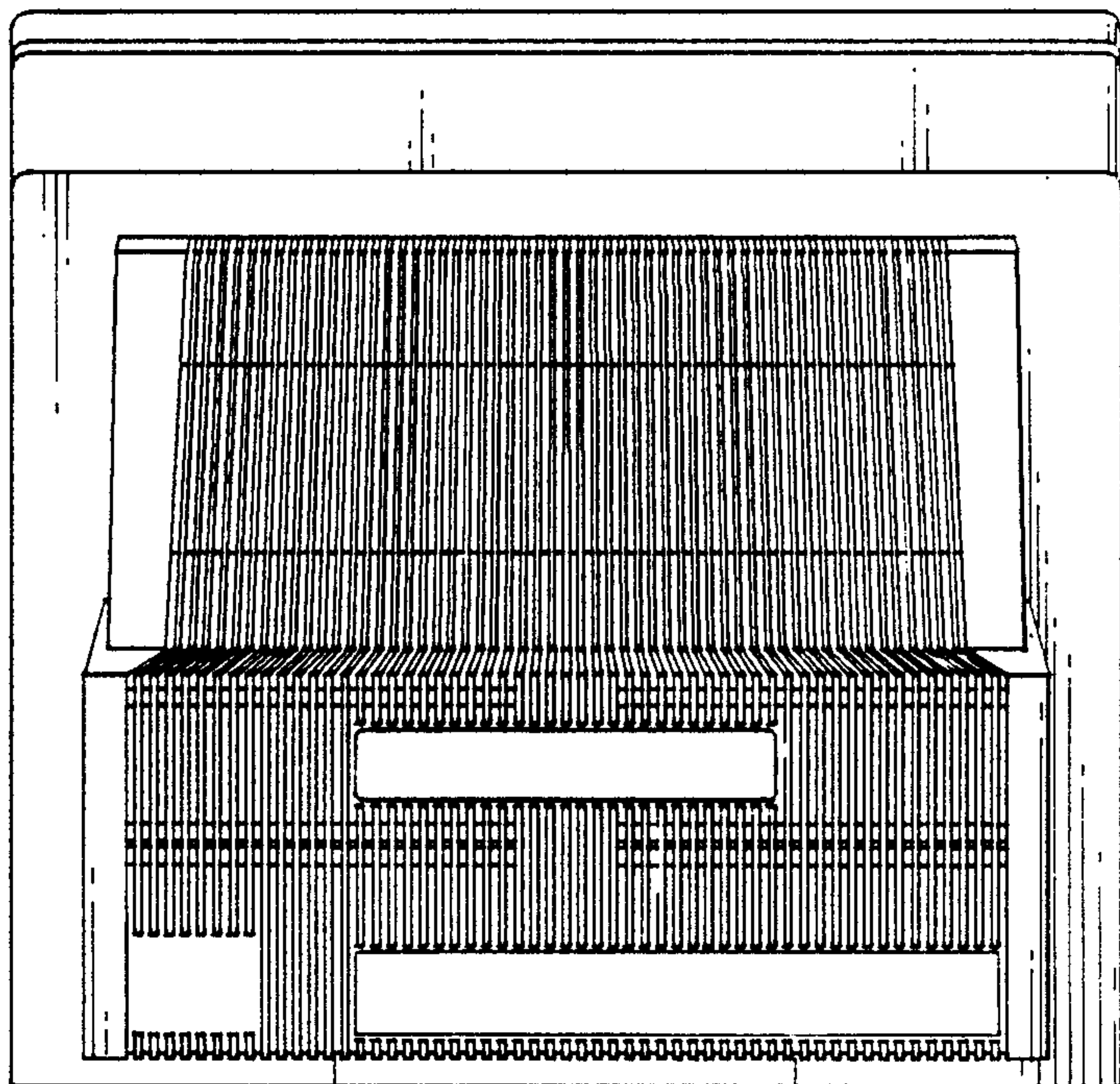


FIG. 3



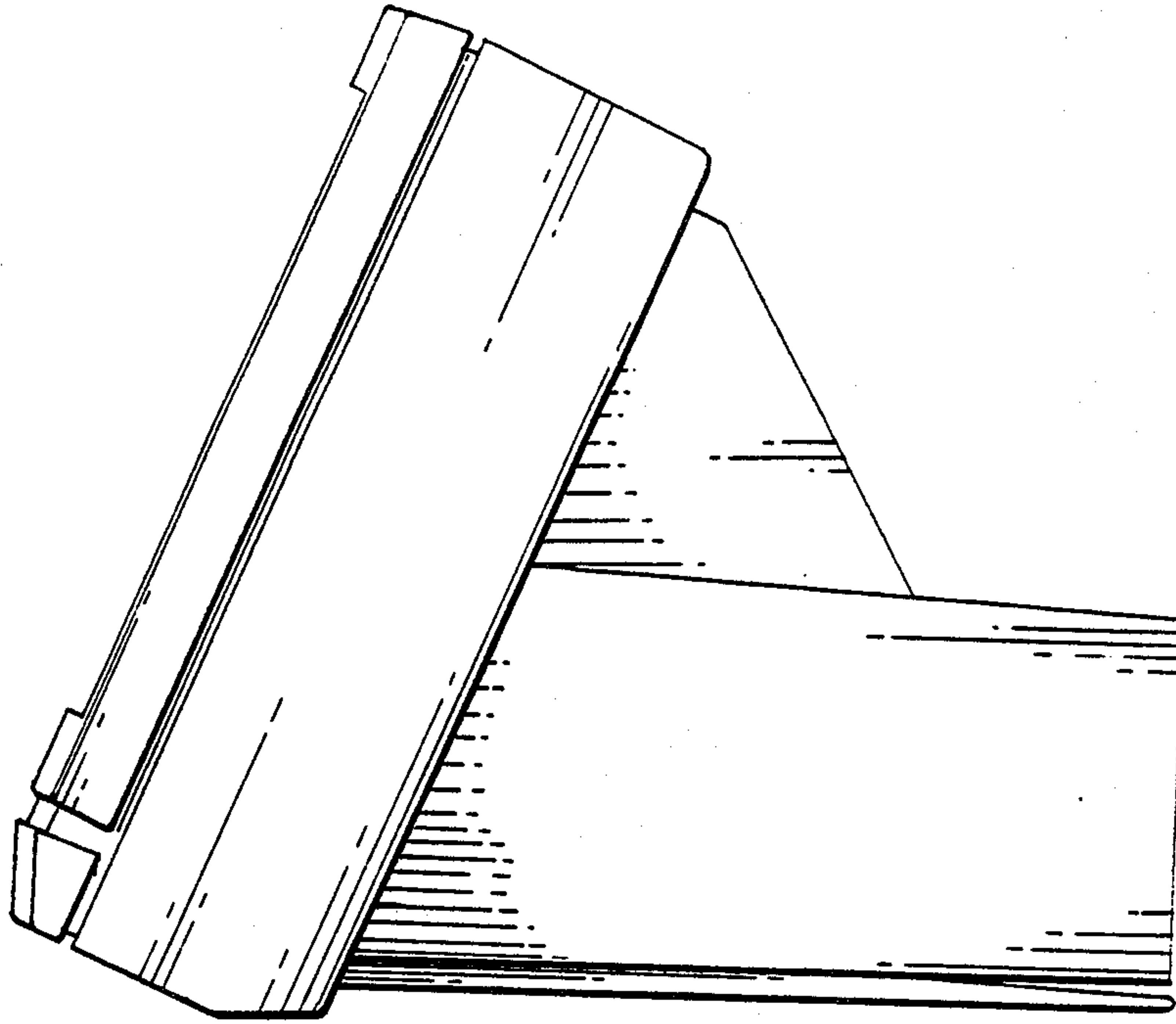


FIG. 4

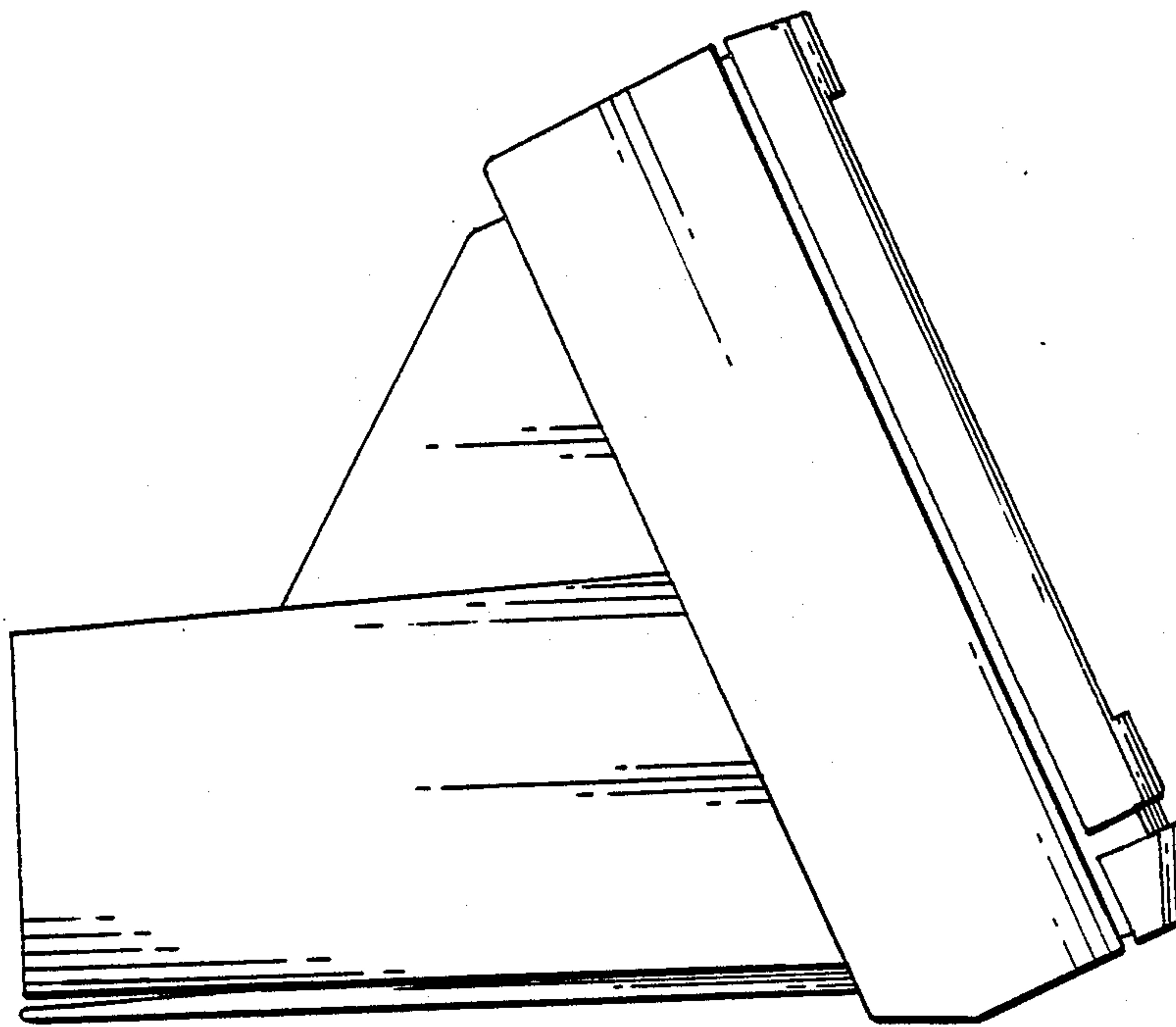


FIG. 5



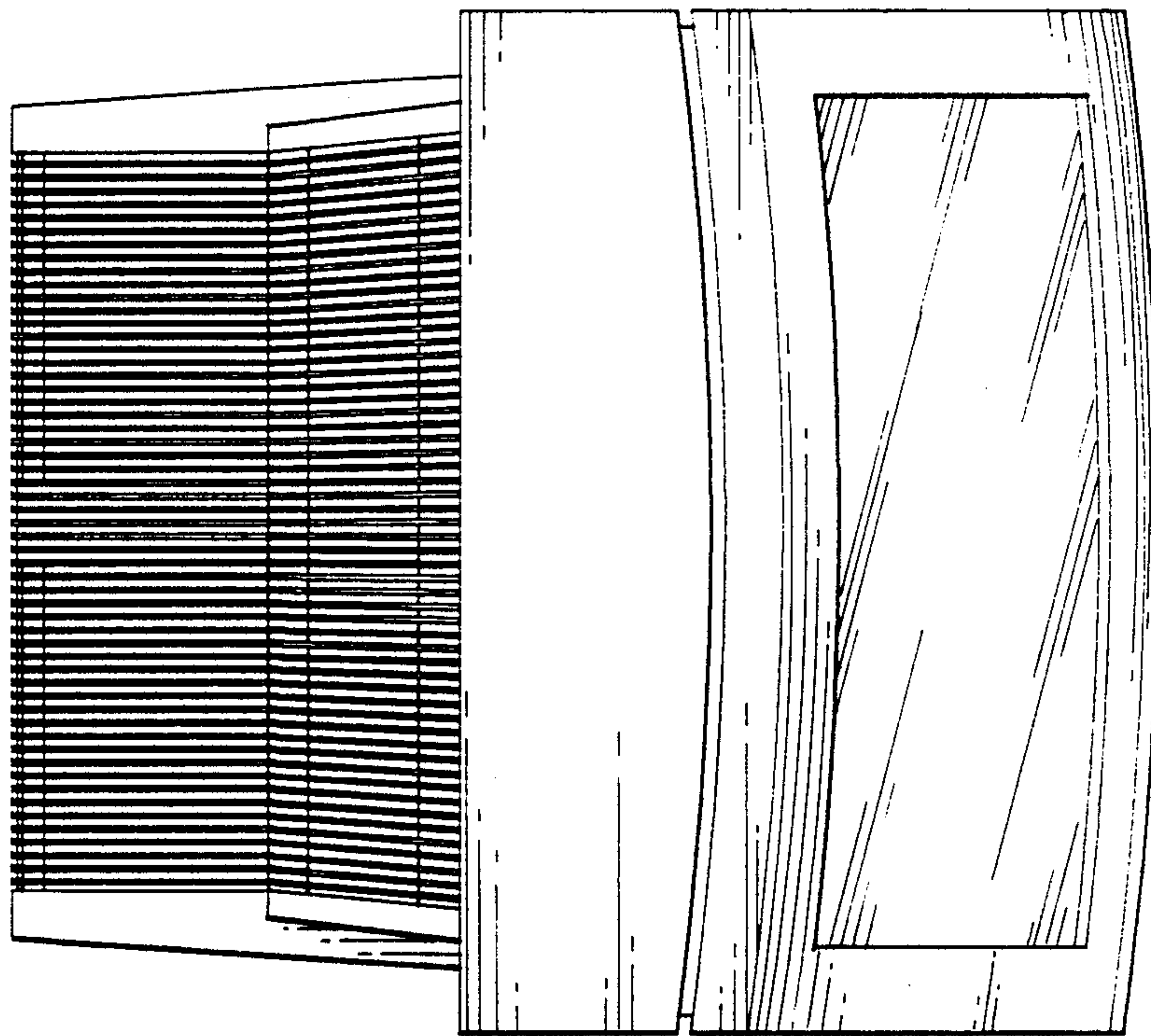


FIG. 6