

[54] CATV CONVERTER

[75] Inventors: Hiroshi Yonekura; Yutaka Kono, both of Osaka, Japan

[73] Assignee: Matsushita Electric Industrial Co., Ltd., Osaka, Japan

[**] Term: 14 Years

[21] Appl. No.: 661,628

[22] Filed: Oct. 17, 1984

[30] Foreign Application Priority Data

Apr. 19, 1984 [JP]	Japan	59-15846
[52] U.S. Cl.	D14/84; D14/99	
[58] Field of Search	D14/1, 2, 3, 4, 77,	
	D14/84, 85, 99; 358/191.1, 192.1	

[56] References Cited

U.S. PATENT DOCUMENTS

D. 271,765	12/1983	Nordberg	D14/84 X
D. 277,754	2/1985	Becker et al.	D14/84

OTHER PUBLICATIONS

Cable Television Business, Dec. 15, 1982, p. 99.
 T.V. Communications, Nov. 1, 1982, p. 46.
 T.V. Communications, Apr. 1, 1981, p. 79.
 T.V. Busines, Nov. 15, 1982, p. 82, top of page.

Primary Examiner—Bernard Ansher
 Assistant Examiner—Theodore M. Shooman
 Attorney, Agent, or Firm—Sughrue, Mion, Zinn,
 Macpeak & Seas

[57] CLAIM

The ornamental design for a CATV converter, as shown and described.

DESCRIPTION

FIG. 1 is a front, top and left side perspective view of a CATV converter showing our new design; FIG. 2 is a front elevational view thereof; FIG. 3 is a top plan view thereof; FIG. 4 is a rear elevational view thereof; FIG. 5 is a bottom plan view thereof; FIG. 6 is a left side elevational view thereof; and FIG. 7 is a right side elevational view thereof. FIG. 8 is a front, top and right side perspective view thereof with a detachable remote control device attached to the top of the converter.

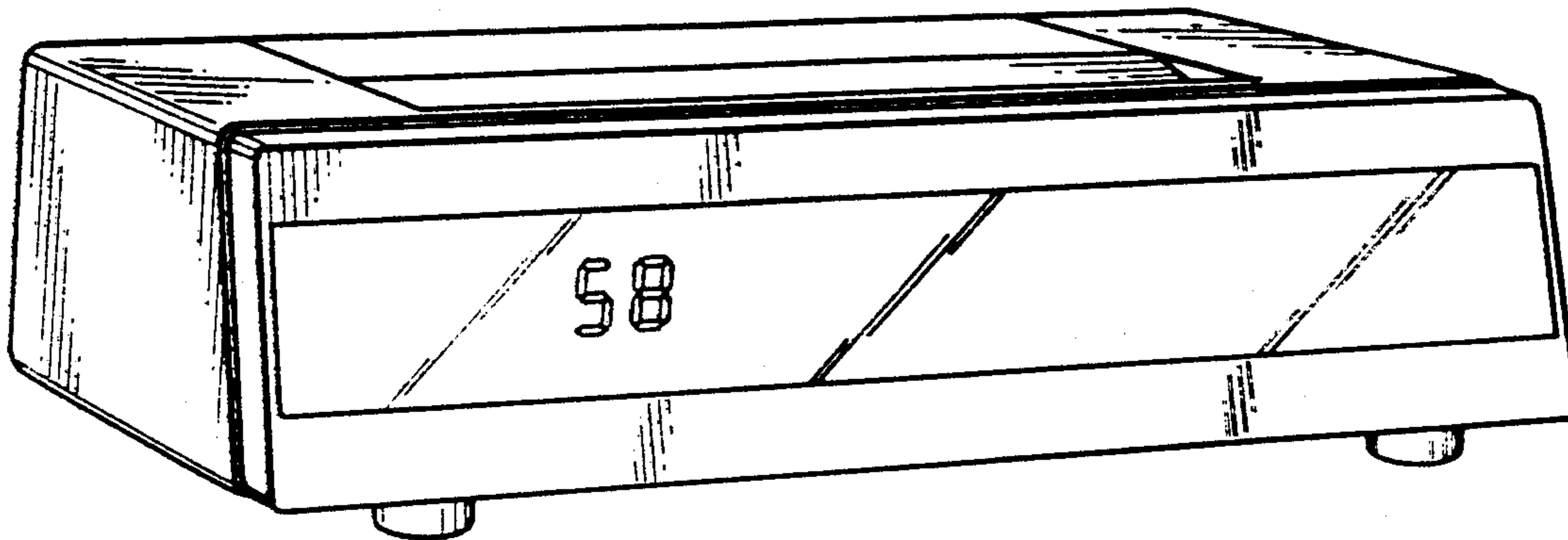


Fig. 1

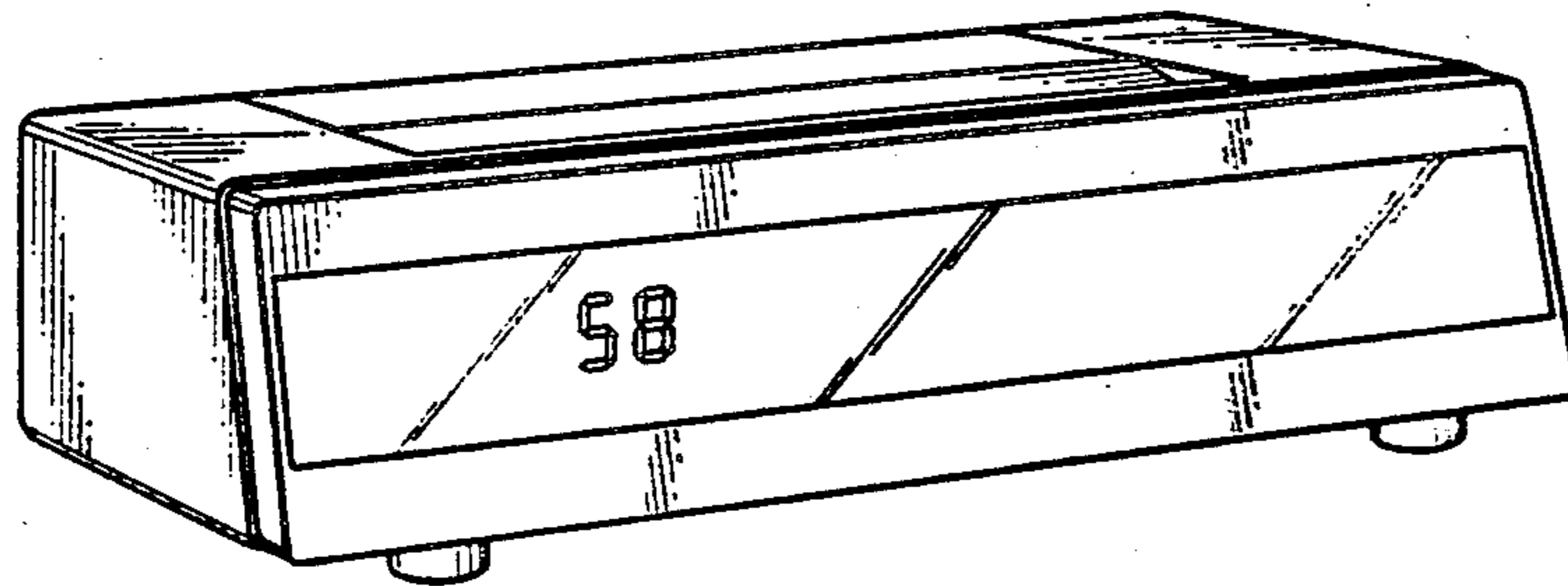


Fig. 2

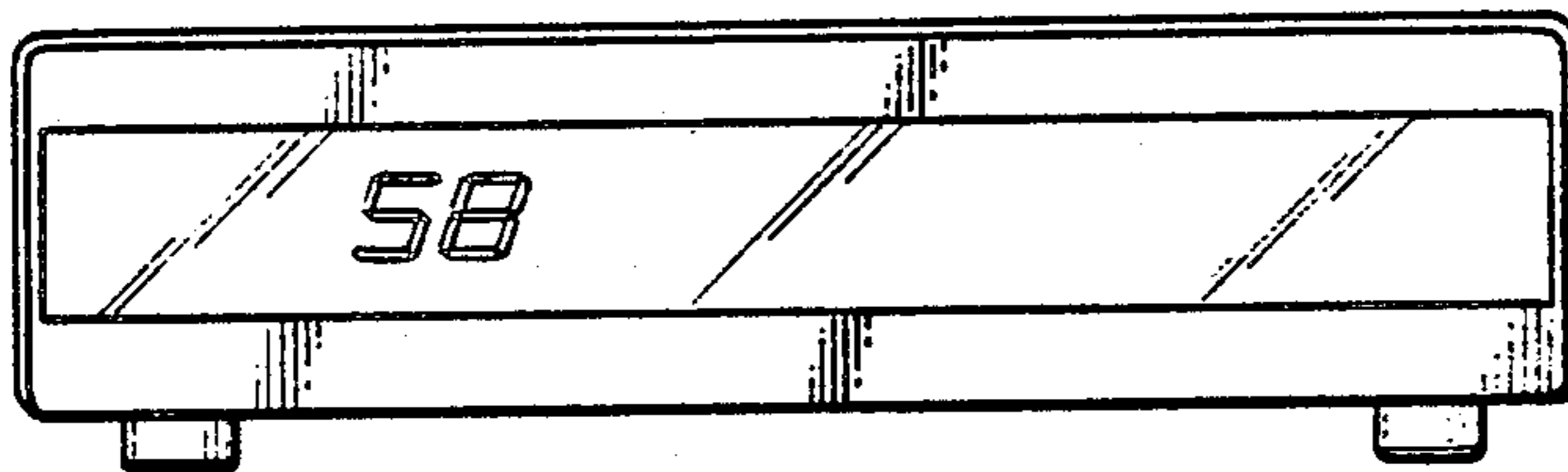


Fig. 3

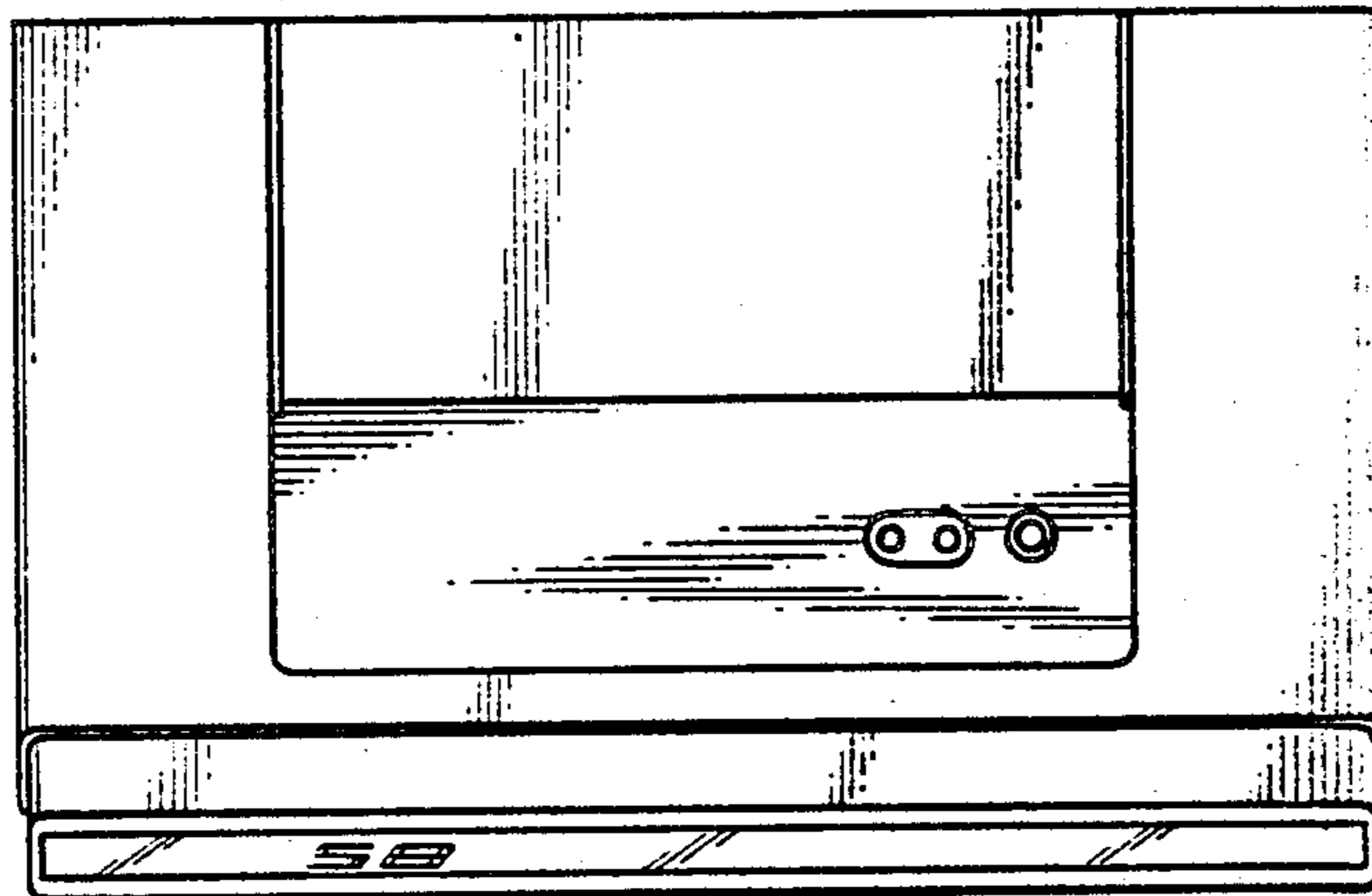


Fig. 4

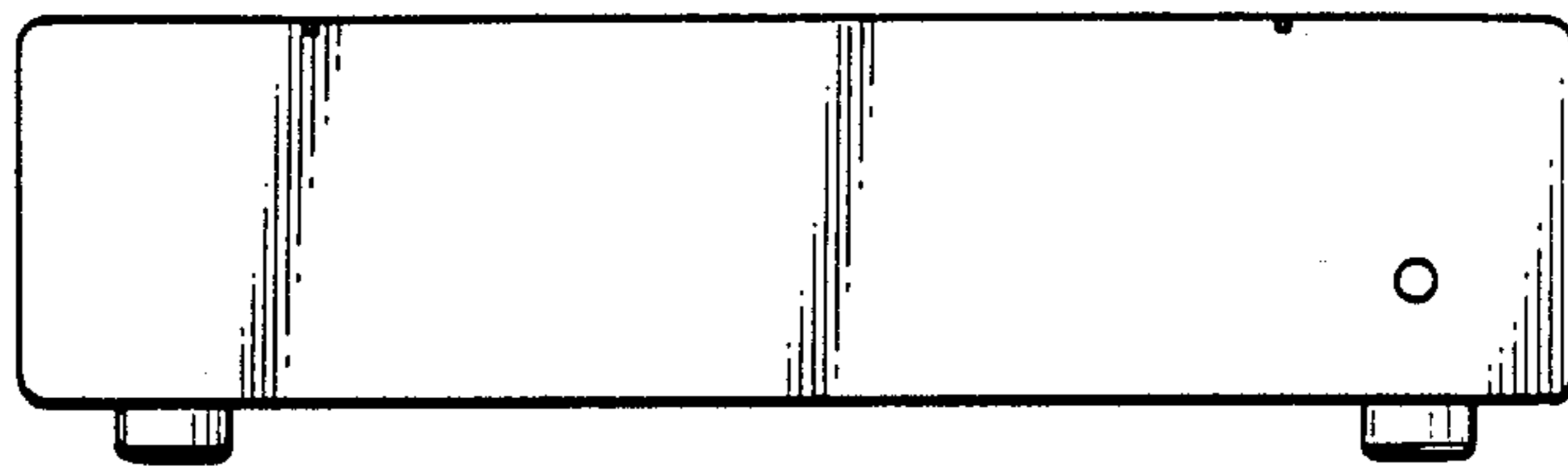


Fig. 5

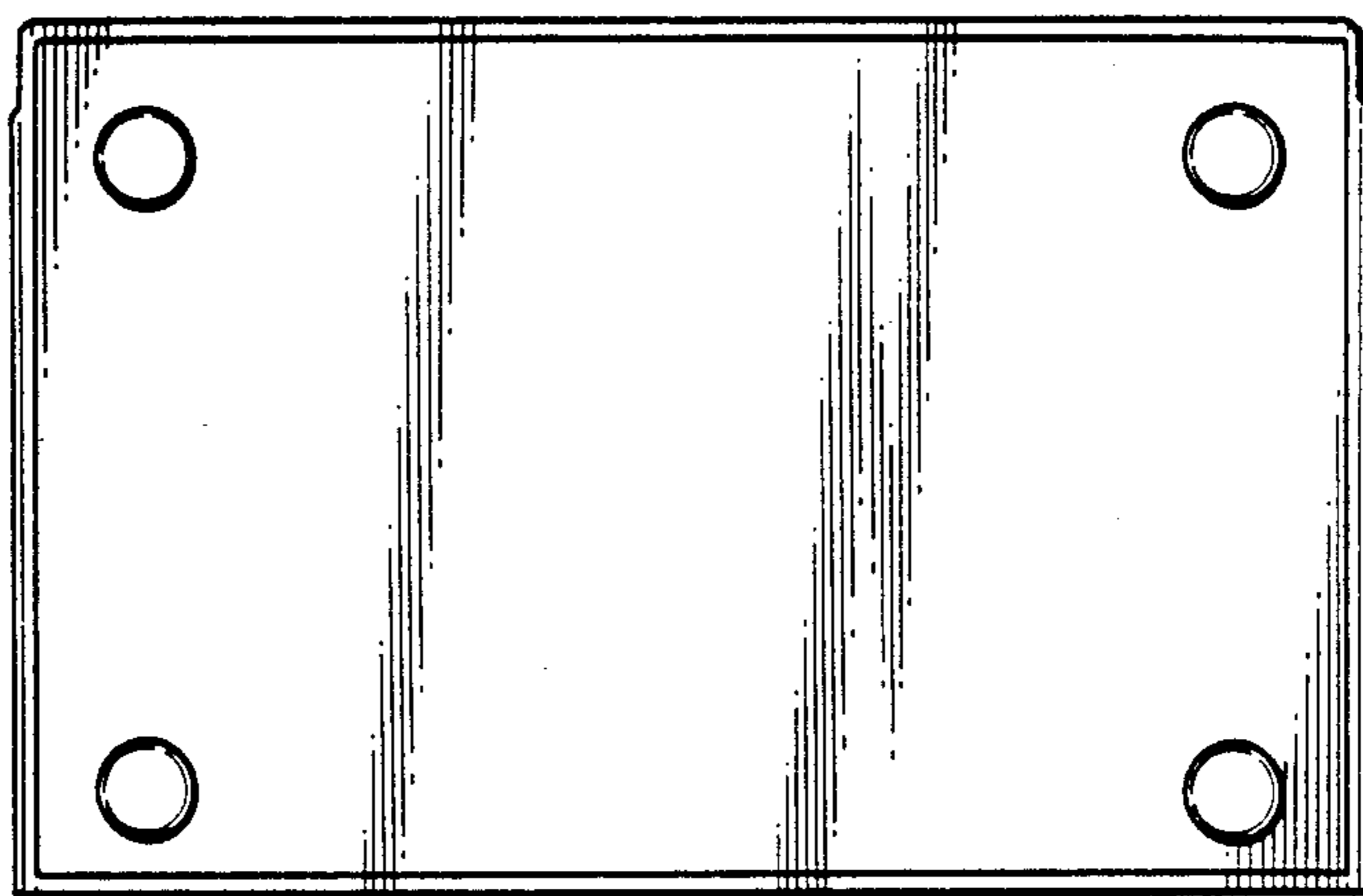


Fig. 6

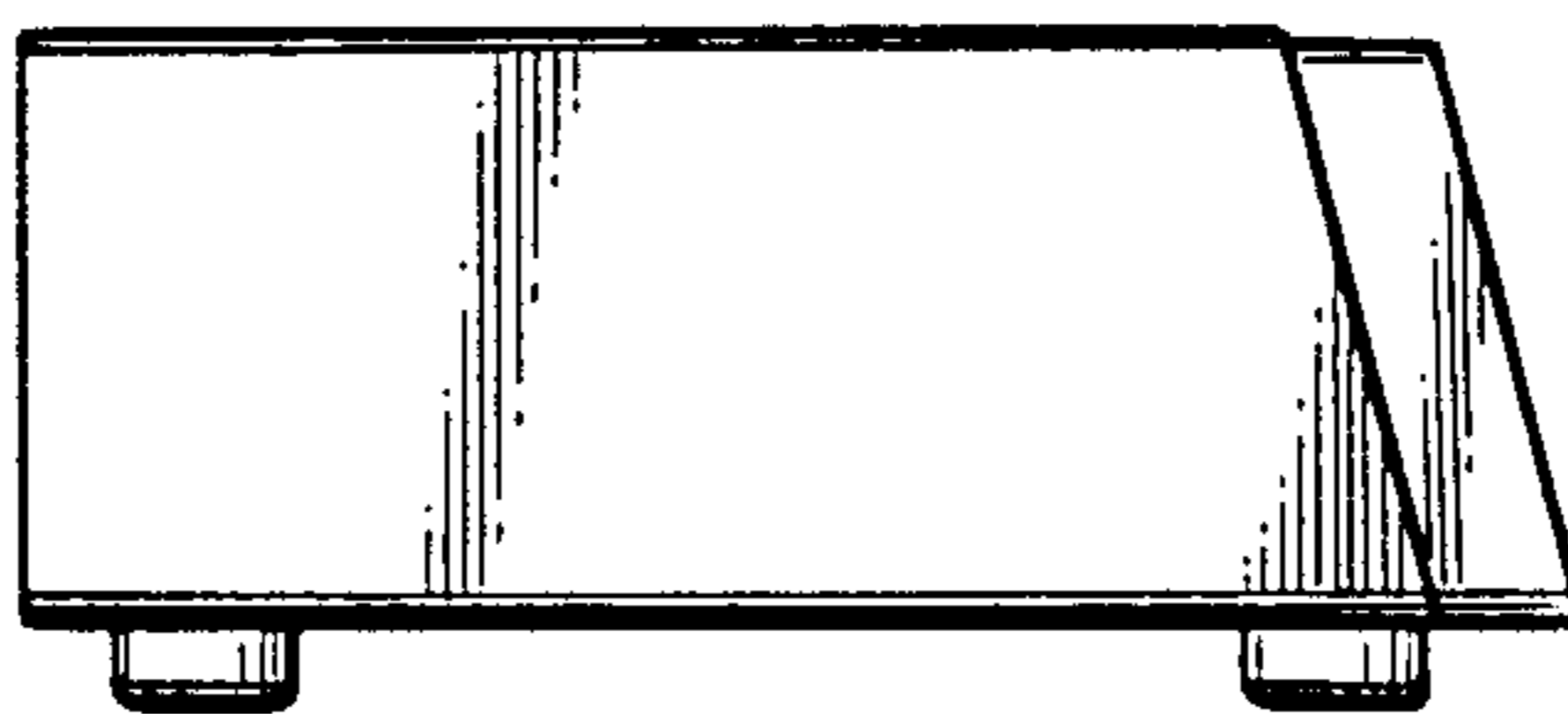


Fig. 7

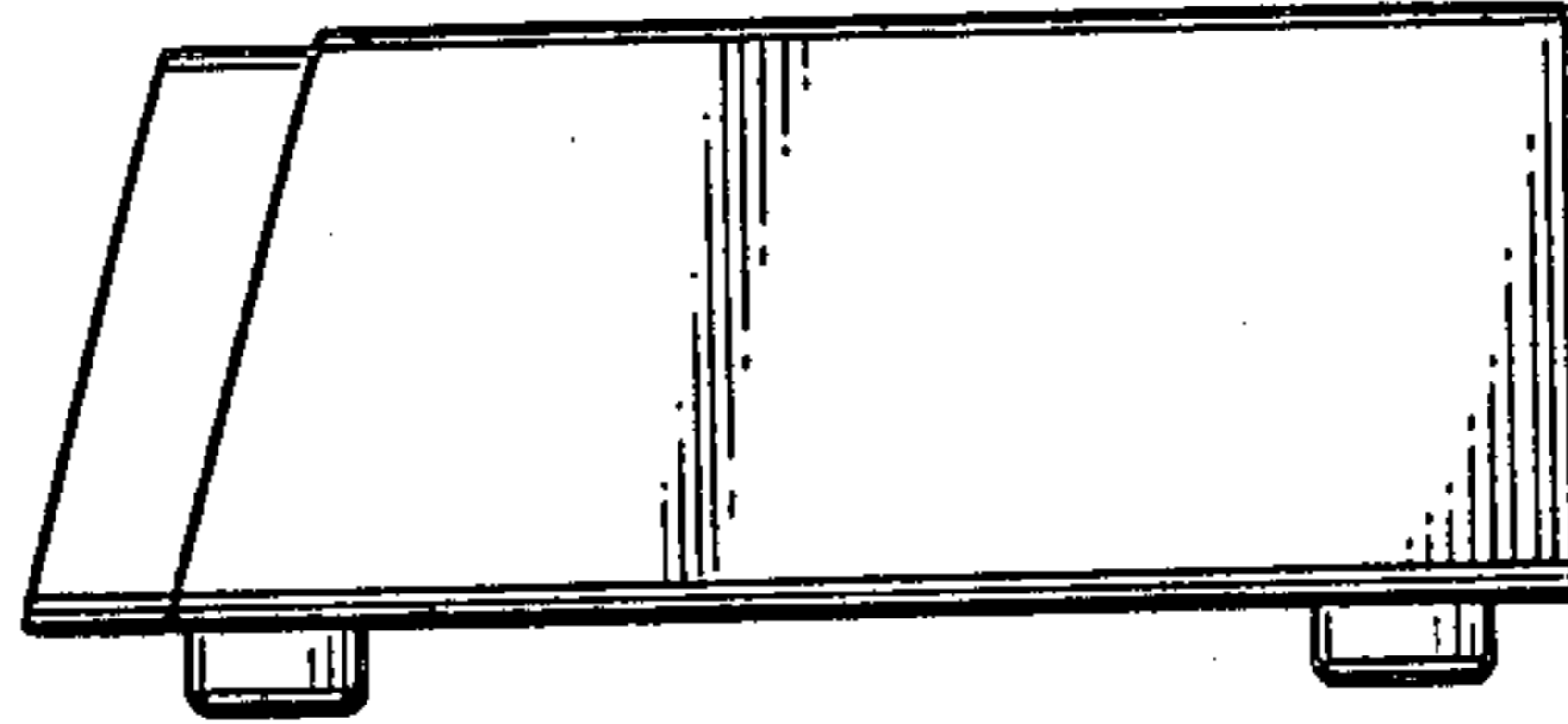


Fig. 8

