

[54] PRINTER

[75] Inventor: Yoshihisa Ooie, Osaka, Japan

[73] Assignee: Sharp Corporation, Osaka, Japan

[**] Term: 14 Years

[21] Appl. No.: 867,732

[22] Filed: May 23, 1986

[30] Foreign Application Priority Data

Nov. 28, 1985 [JP] Japan 60-49864
 [52] U.S. Cl. D14/111; D18/13
 [58] Field of Search D14/100, 106, 107, 111,
 D14/114; D18/13, 18, 22; 400/689, 690, 690.1,
 690.4, 691, 693

[56] References Cited

U.S. PATENT DOCUMENTS

D. 285,565 9/1986 Hara et al. D14/111
 D. 287,730 1/1987 Kojima et al. D14/111
 D. 290,611 6/1987 Serikawa et al. D14/111

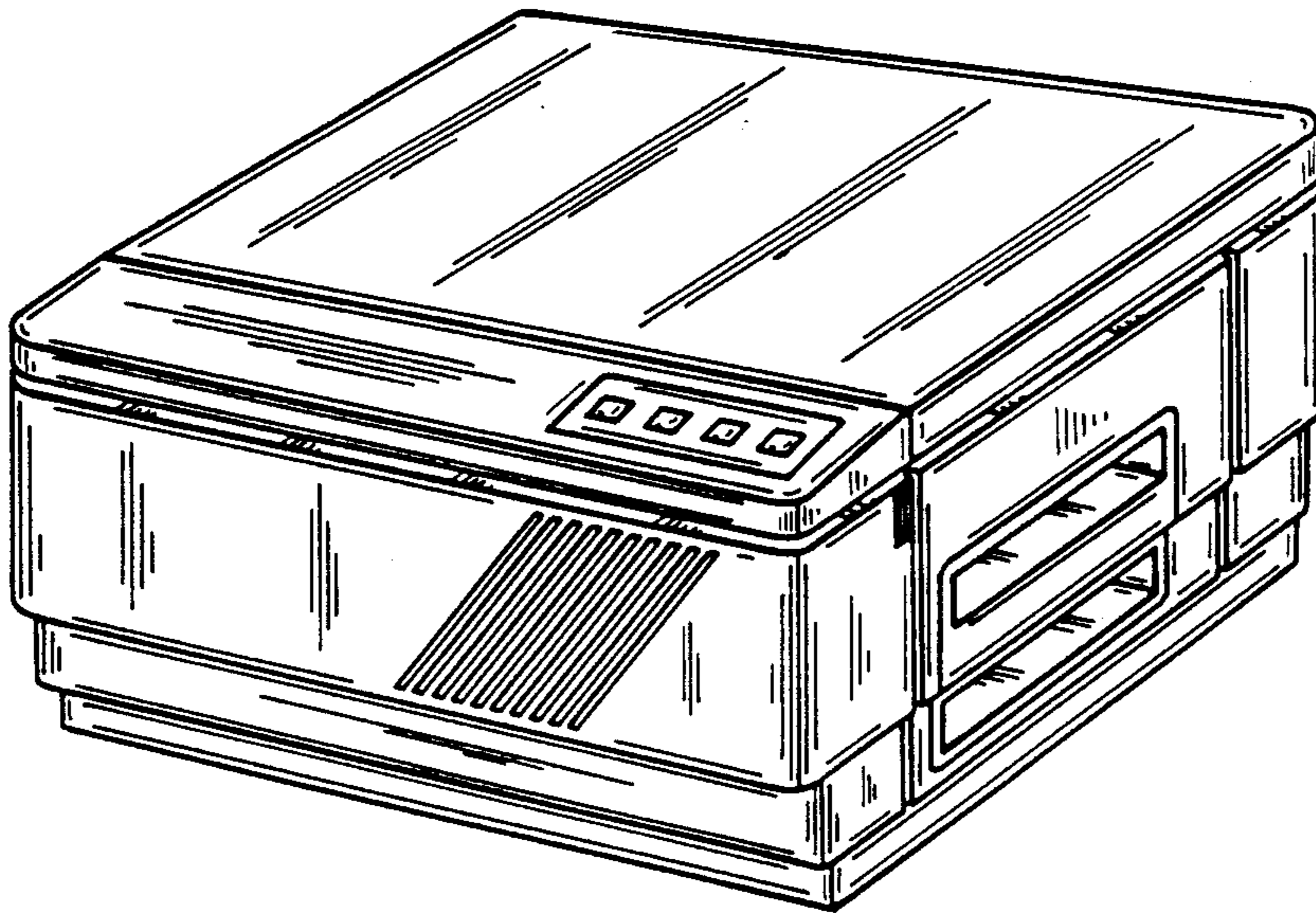
Primary Examiner—Susan J. Lucas
 Attorney, Agent, or Firm—Flehr, Hohbach, Test,
 Albritton & Herbert

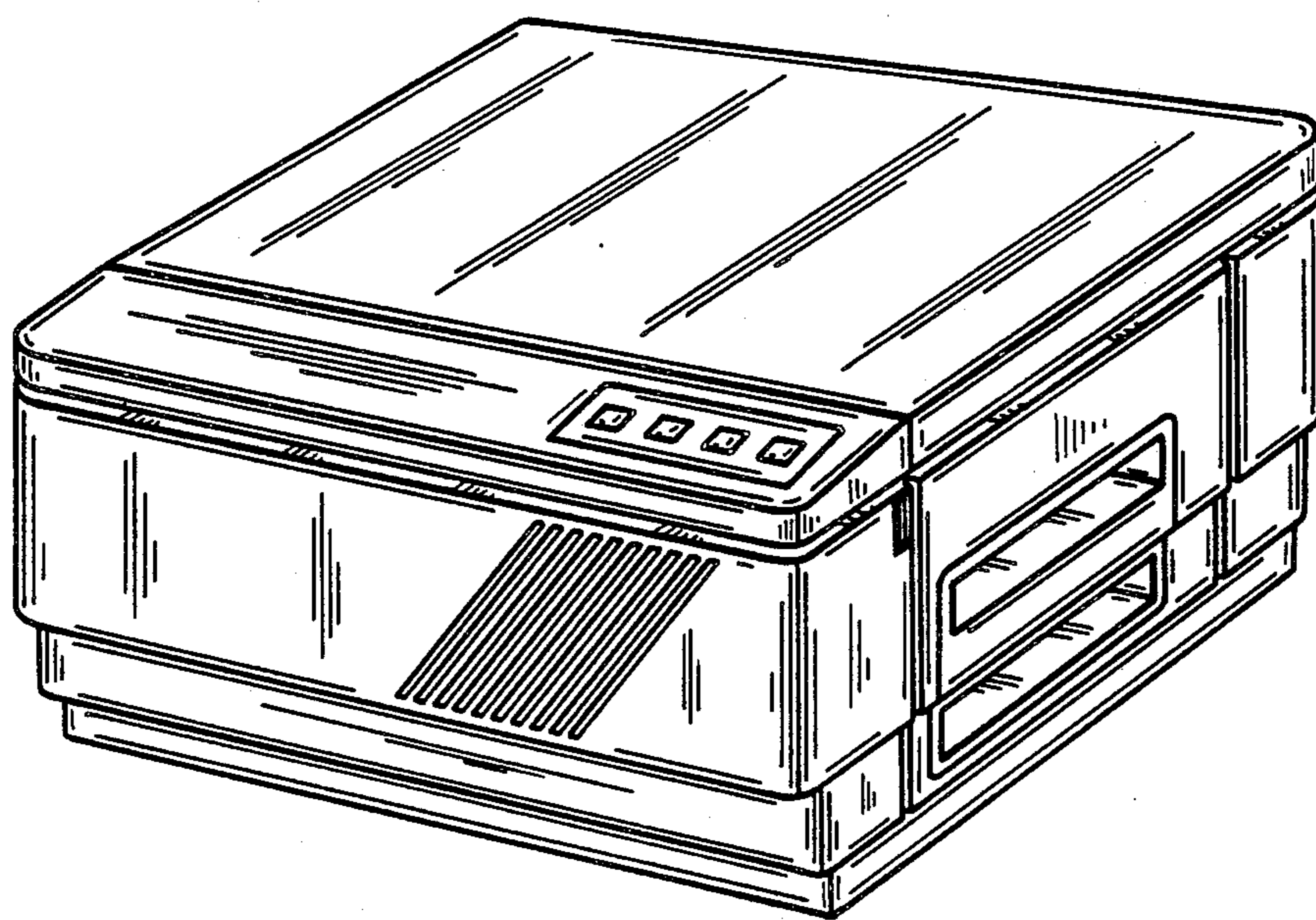
[57] CLAIM

The ornamental design for a printer, as shown and described.

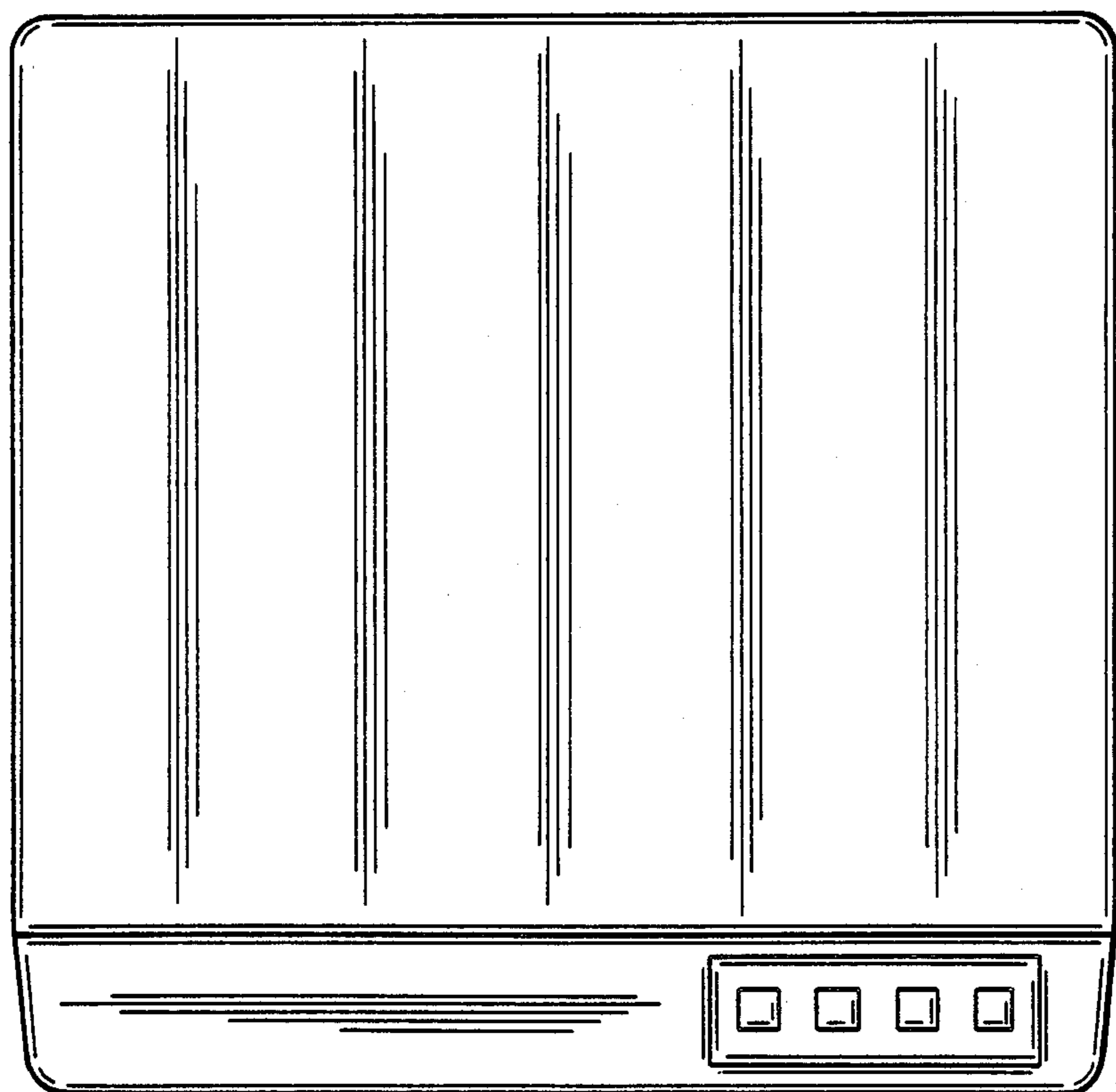
DESCRIPTION

FIG. 1 is a perspective view of the printer showing my new design;
 FIG. 2 is a top plan view thereof;
 FIG. 3 is a bottom plan view thereof;
 FIG. 4 is a front elevational view thereof;
 FIG. 5 is a rear elevational view thereof;
 FIG. 6 is a right side elevational view thereof; and
 FIG. 7 is a left side elevational view thereof.

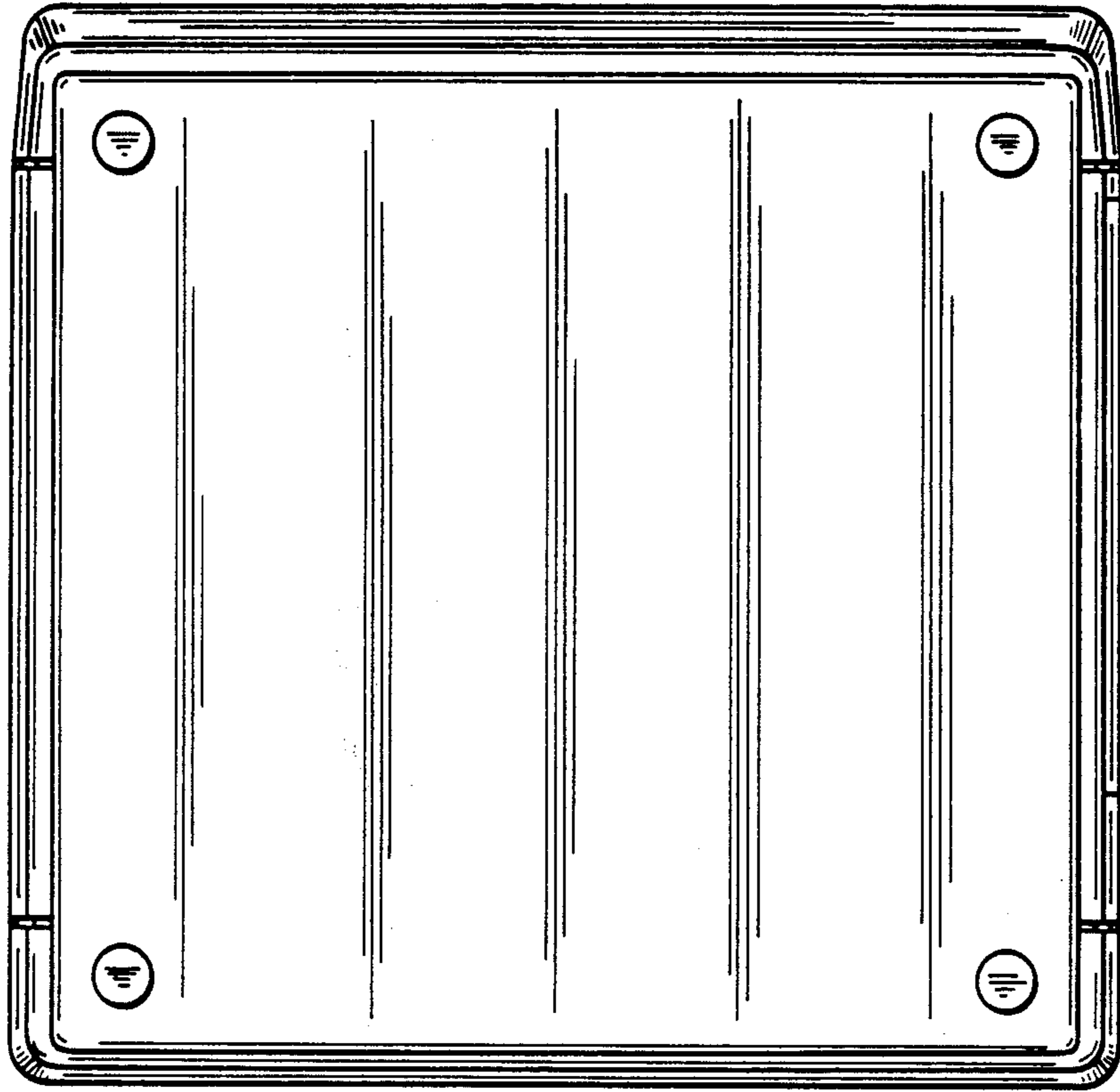




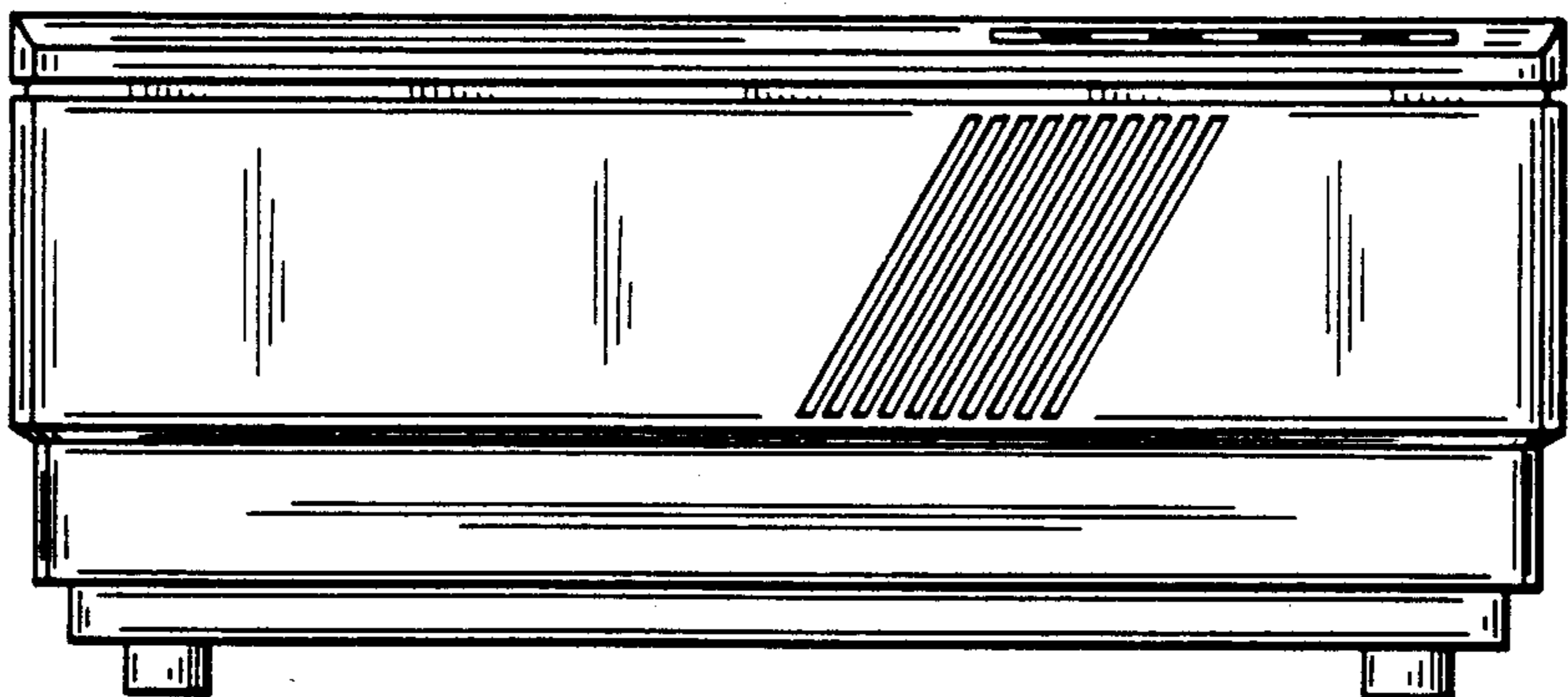
FIG_1



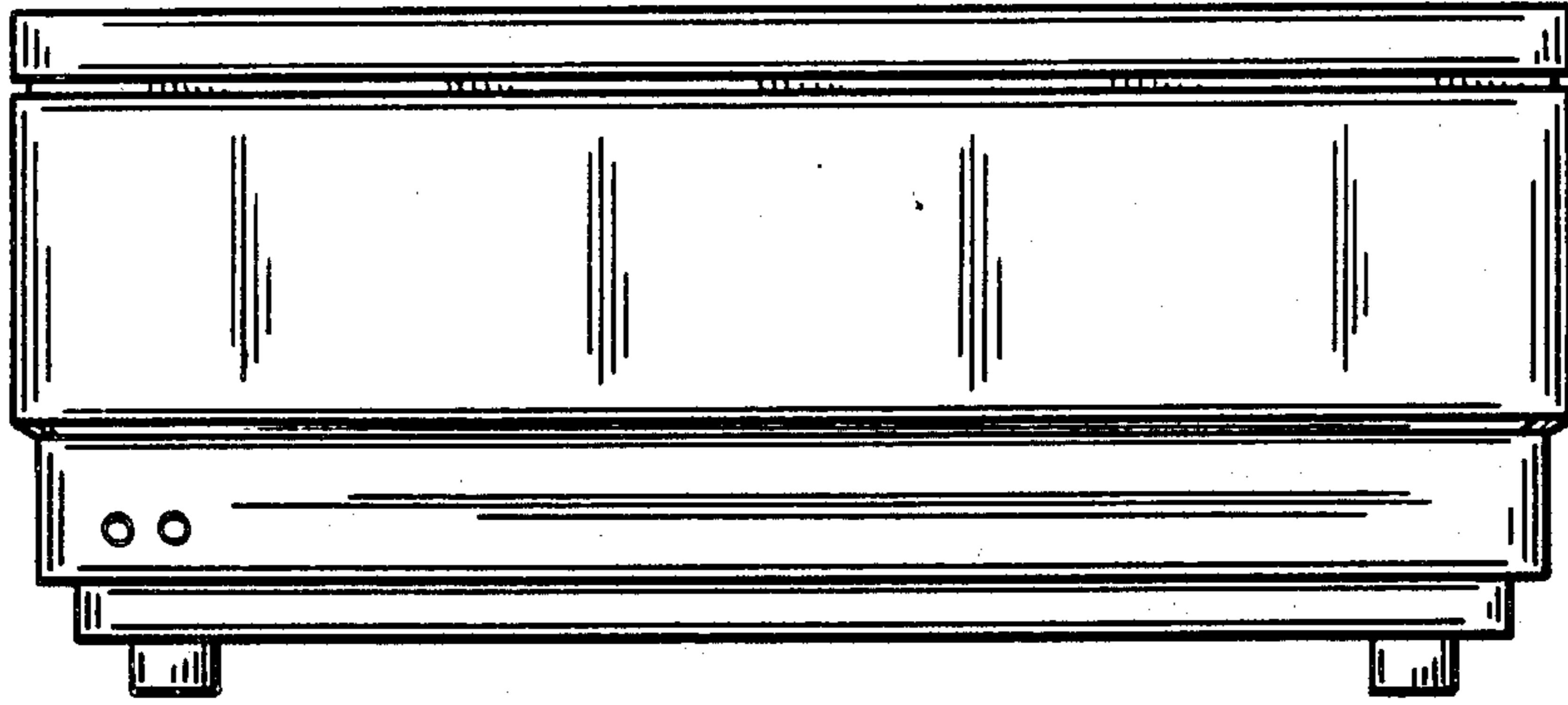
FIG_2



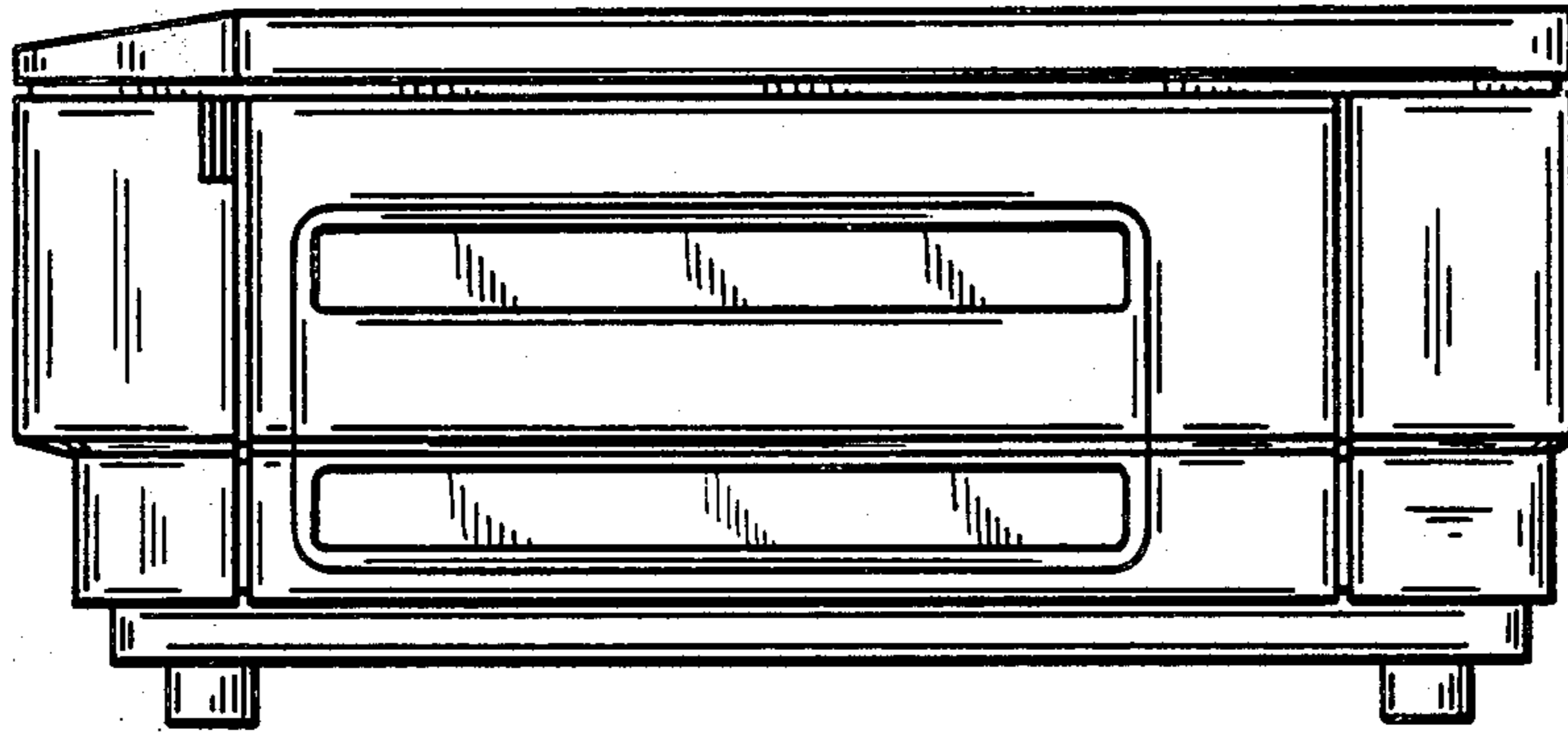
FIG_3



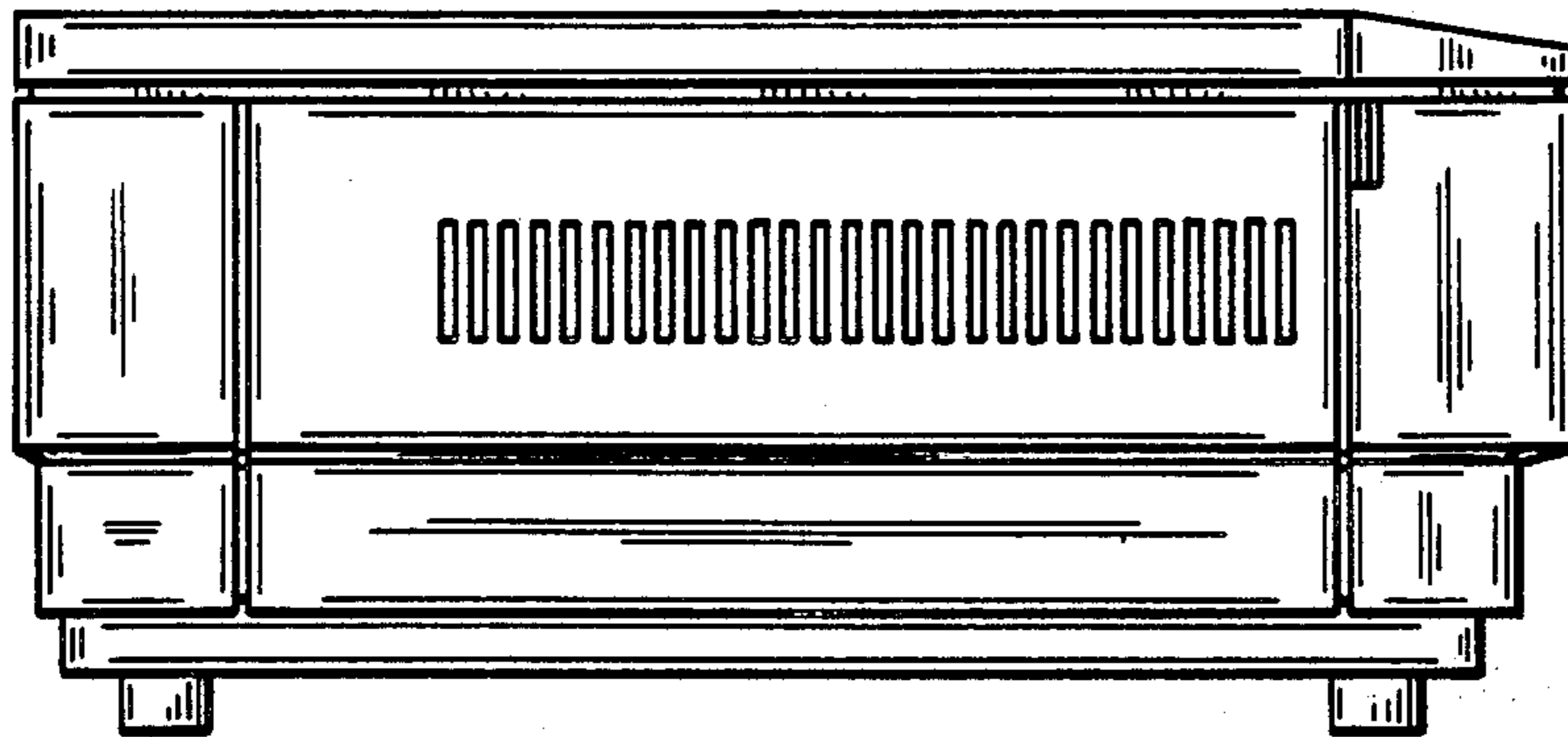
FIG_4



FIG_5



FIG_6



FIG_7