

United States Patent [19]

Naps et al.

[11] Patent Number: **Des. 295,852**

[45] Date of Patent: **** May 24, 1988**

[54] **OPTICAL SCANNER**

[75] Inventors: **Seymour Naps**, Oceanside, N.Y.;
Anthony L. Nieves, Wayne; **Bahram N. Ansary**, Montclair, both of N.J.

[73] Assignee: **Electronic Information Technology, Inc.**, West Fairfield, N.J.

[**] Term: **14 Years**

[21] Appl. No.: **859,875**

[22] Filed: **May 2, 1986**

[52] U.S. Cl. **D14/107**

[58] Field of Search **D14/105, 107, 114, 94;**
D16/30, 31; 250/203 R, 566; 358/293, 294, 285;
235/454, 470

[56] **References Cited**

U.S. PATENT DOCUMENTS

D. 277,579 2/1985 Noonan D14/107
3,600,557 8/1971 Zappia 235/470
4,589,035 5/1986 Yamanishi et al. 358/285 X

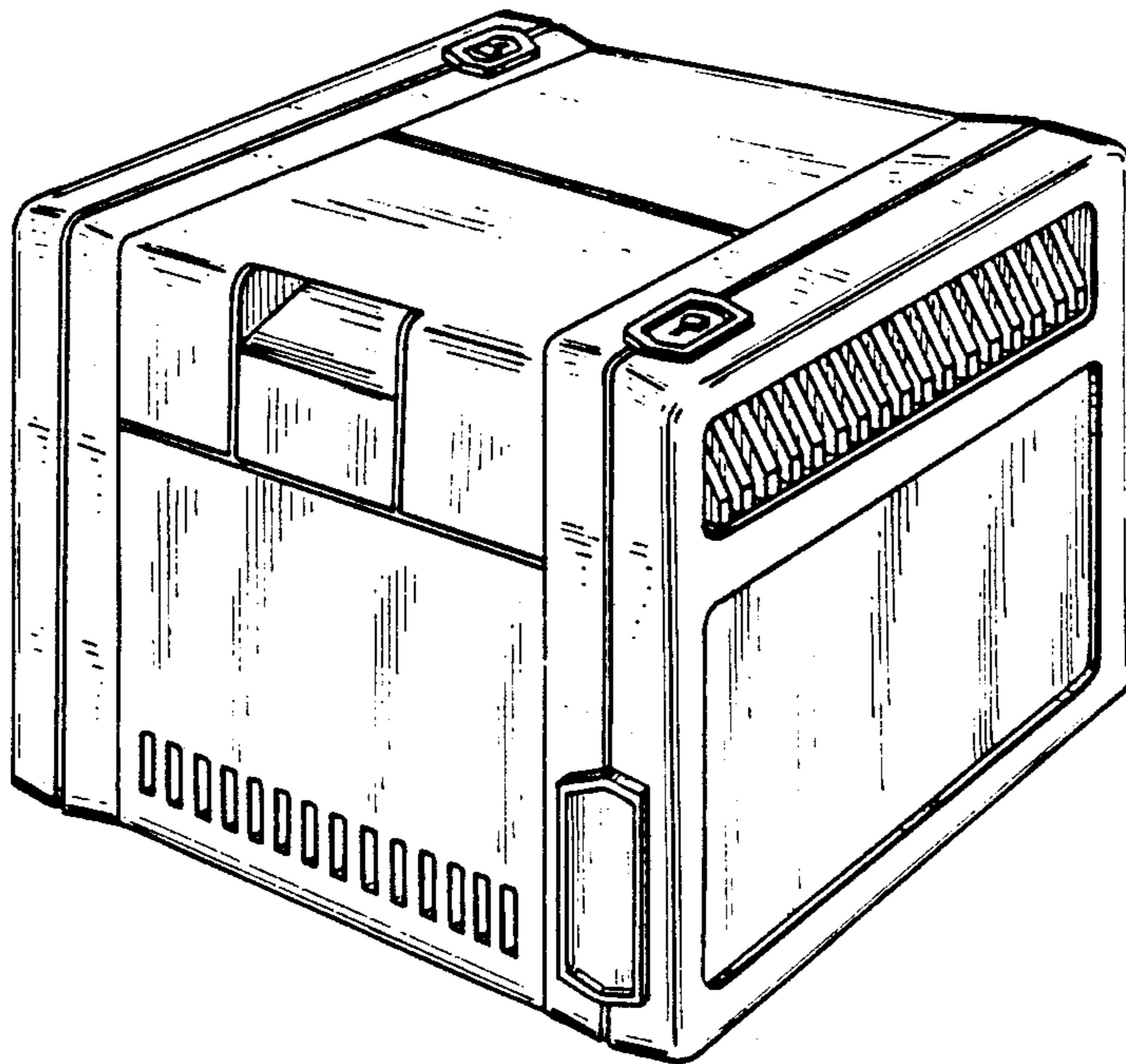
Primary Examiner—Susan J. Lucas
Attorney, Agent, or Firm—Ostrolenk, Faber, Gerb & Soffen

[57] **CLAIM**

The ornamental design for an optical scanner, as shown and described.

DESCRIPTION

FIG. 1 is a top, front, and rightside perspective view of an optical scanner showing my new design;
FIG. 2 is a top, rear and left side perspective view thereof; and
FIG. 3 is a bottom plan view thereof on an enlarged scale.



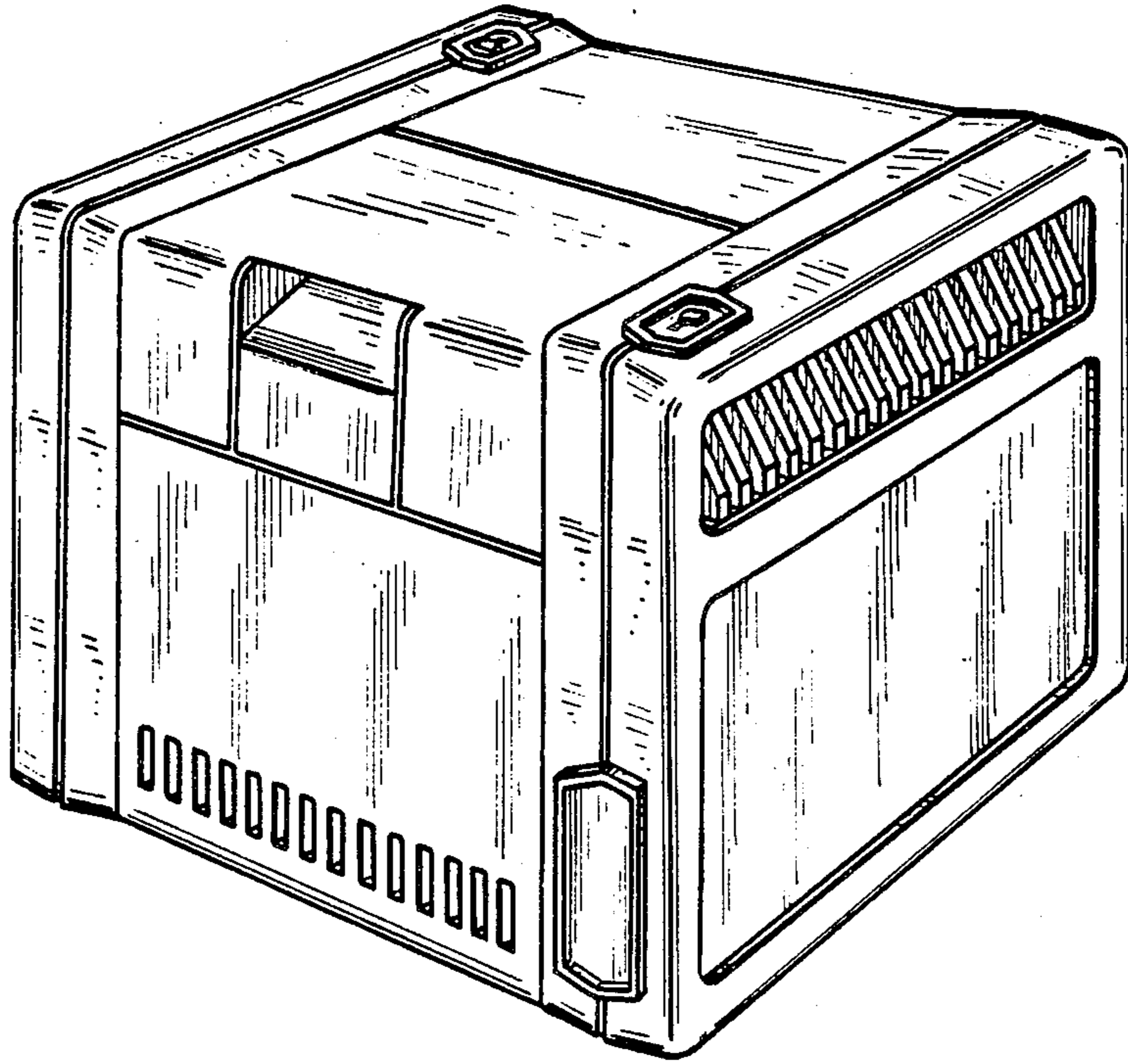


FIG. 1.

FIG. 2.

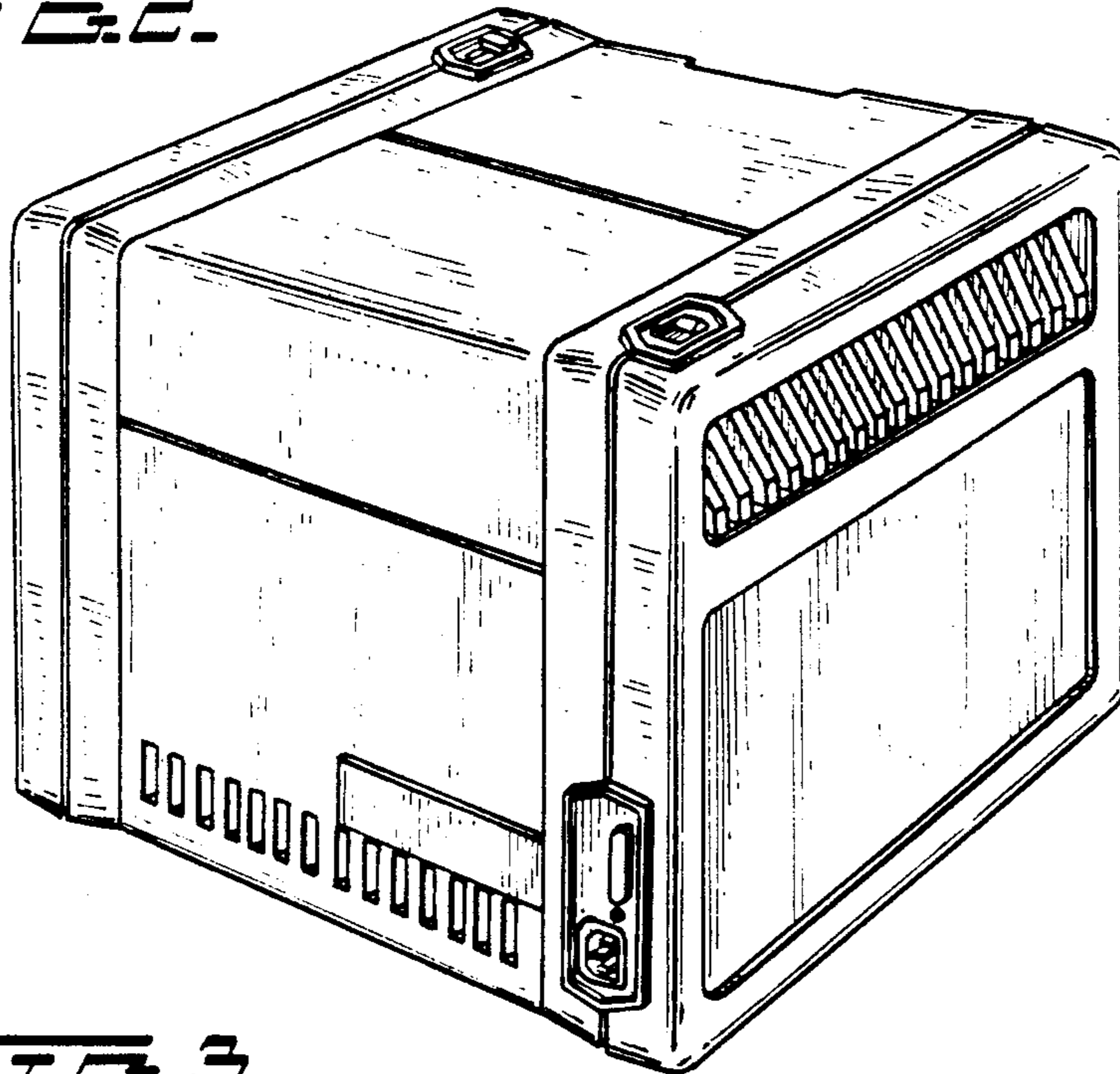


FIG. 3.

